



US00D385456S

United States Patent [19]
Wang

[11] **Patent Number: Des. 385,456**

[45] **Date of Patent: **Oct. 28, 1997**

[54] **ROASTER OVEN**

D. 318,396 7/1991 Jung D7/351
D. 336,814 6/1993 Brookshire D7/350

[76] **Inventor: Ching-Hsiang Wang, P.O. Box 90,
Tainan, Taiwan**

OTHER PUBLICATIONS

[**] **Term: 14 Years**

Woodward & Lothrop Ad. No page #, "Alfredo toaster oven
by Delonghi" Sep. 1985.

[21] **Appl. No.: 62,987**

Primary Examiner—Ruth McInroy

[22] **Filed: Nov. 15, 1996**

[57] **CLAIM**

[51] **LOC (6) Cl. 07-02**

The ornamental design for roaster oven, as shown and
described.

[52] **U.S. Cl. D7/350**

[58] **Field of Search D7/348-351; 126/275 R,
126/275 E, 19 M, 21 A; 219/10.55 R, 10.55 AC**

DESCRIPTION

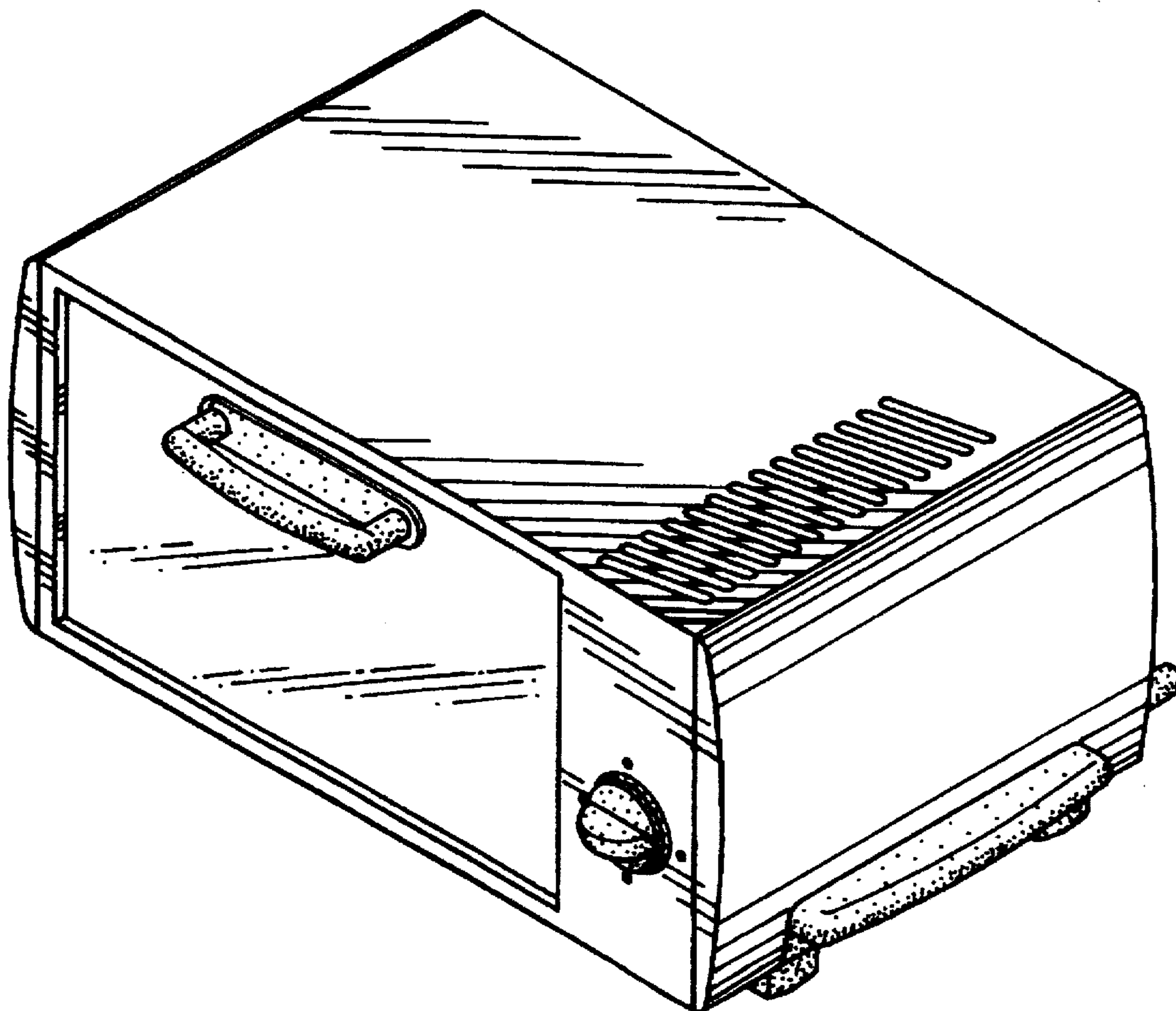
[56] **References Cited**

FIG. 1 is a top, front, and left side perspective view of
roaster oven showing my new design;
FIG. 2 is a front elevational view thereof;
FIG. 3 is a elevational view thereof;
FIG. 4 is a left side elevational view thereof;
FIG. 5 is a right side elevational view thereof;
FIG. 6 is a top plan view thereof; and,
FIG. 7 is a bottom plan view thereof.

U.S. PATENT DOCUMENTS

D. 294,216	2/1988	Choi	D7/351
D. 296,858	7/1988	Ooki	D7/350
D. 297,296	8/1988	Feil et al.	D7/351
D. 297,392	8/1988	Han	D7/351
D. 304,411	11/1989	Viancin	D7/350
D. 309,078	7/1990	Kokubo	D7/351

1 Claim, 4 Drawing Sheets



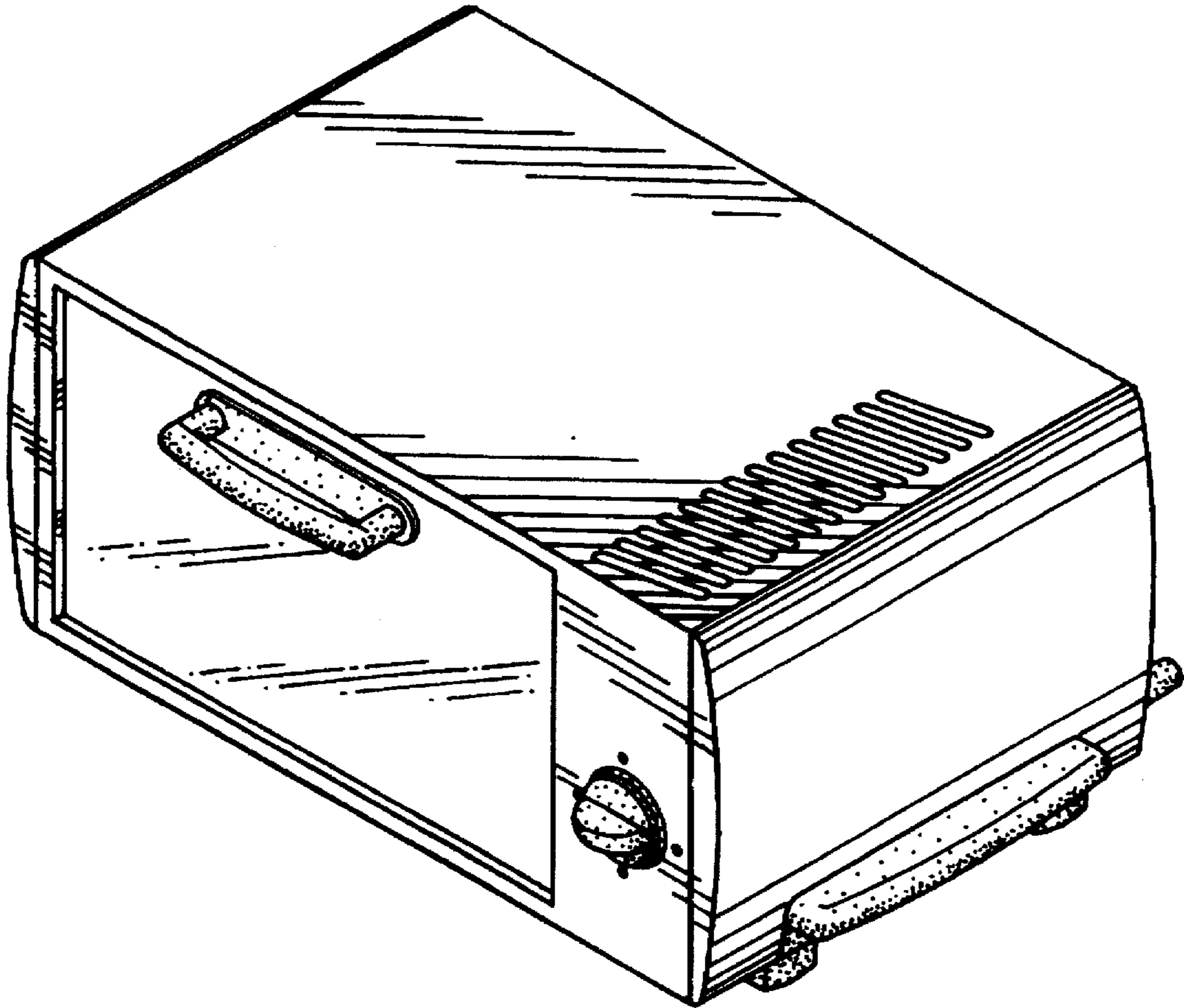


FIG. 1

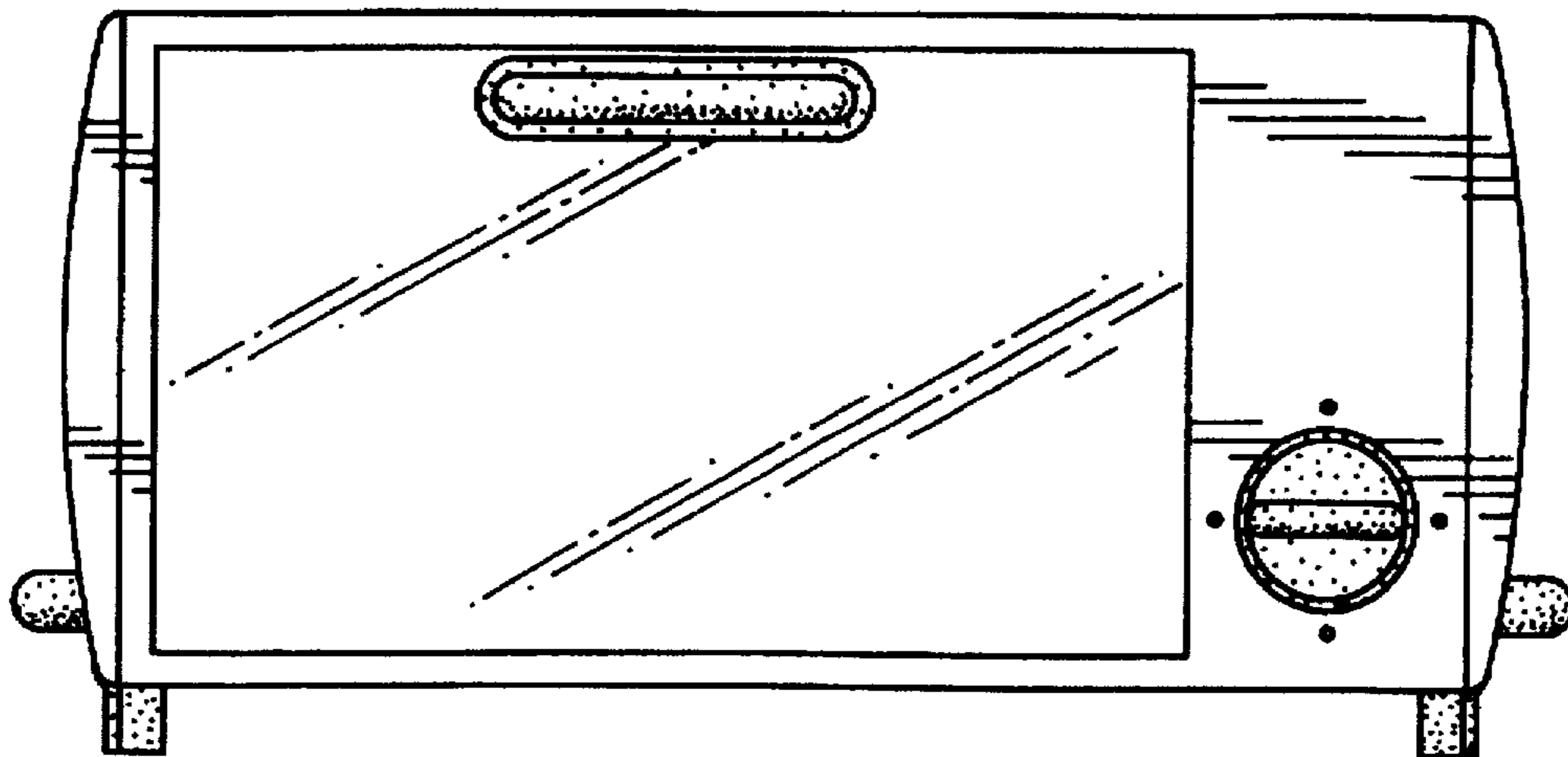


FIG. 2

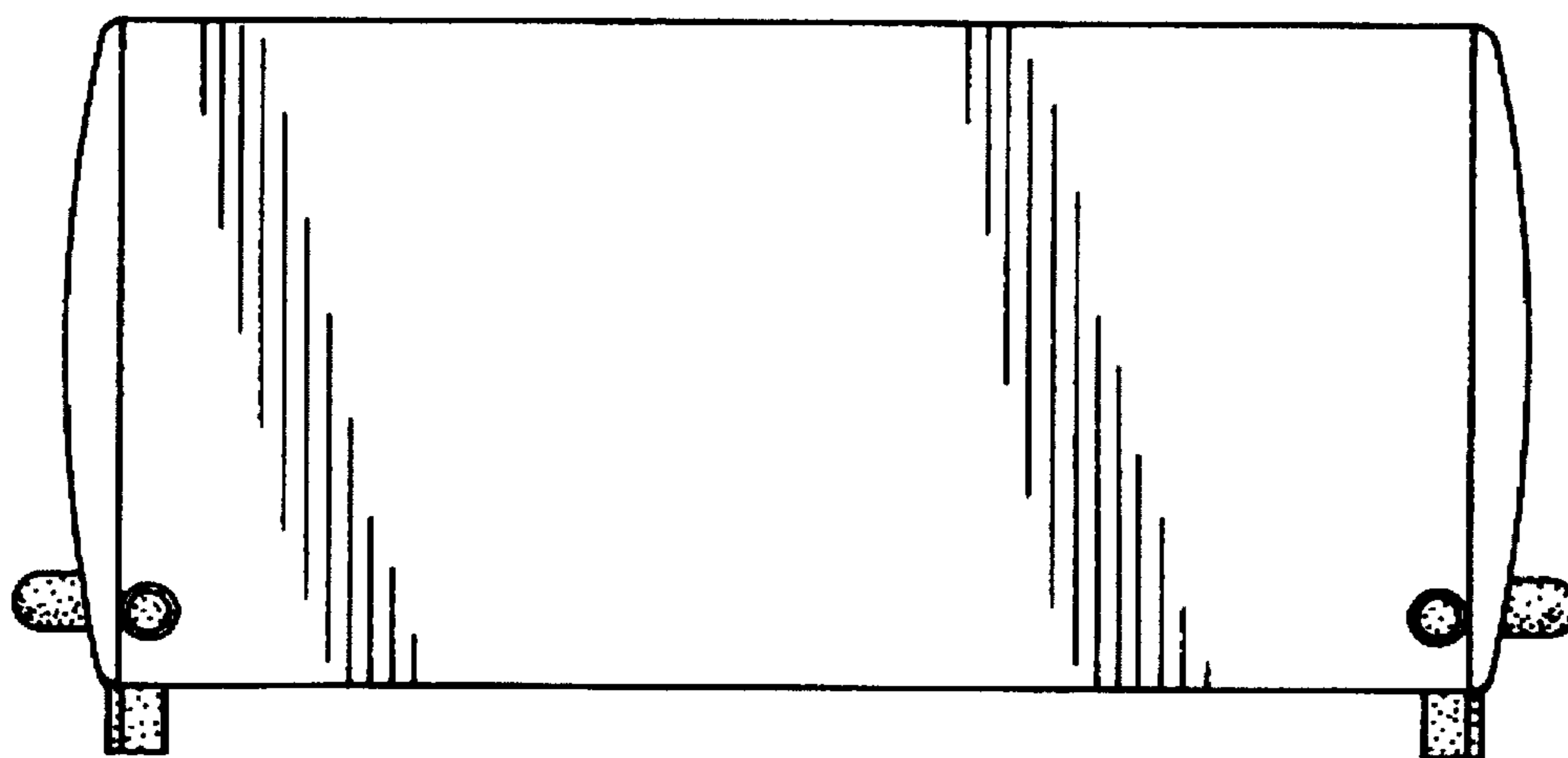


FIG. 3

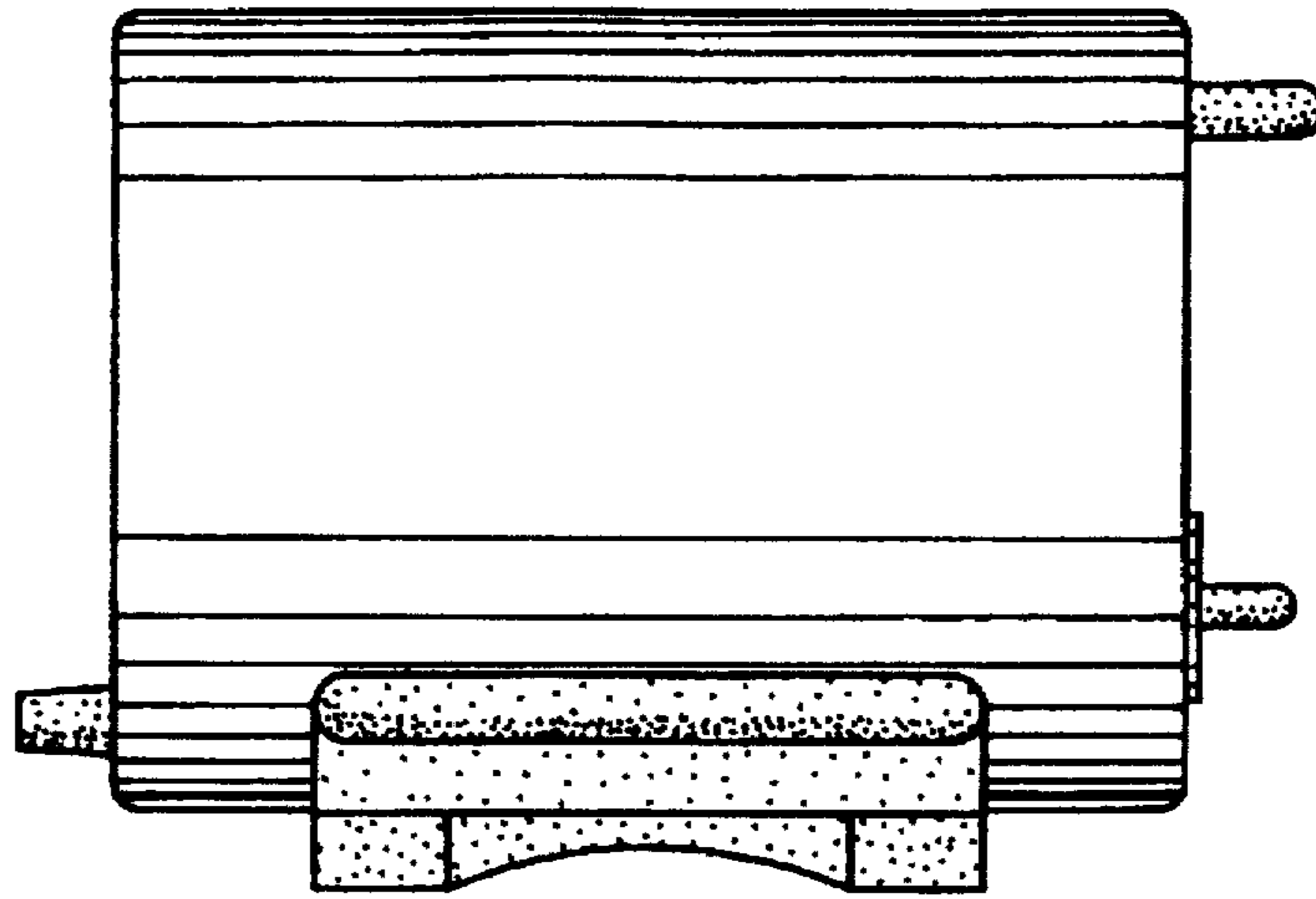


FIG. 4

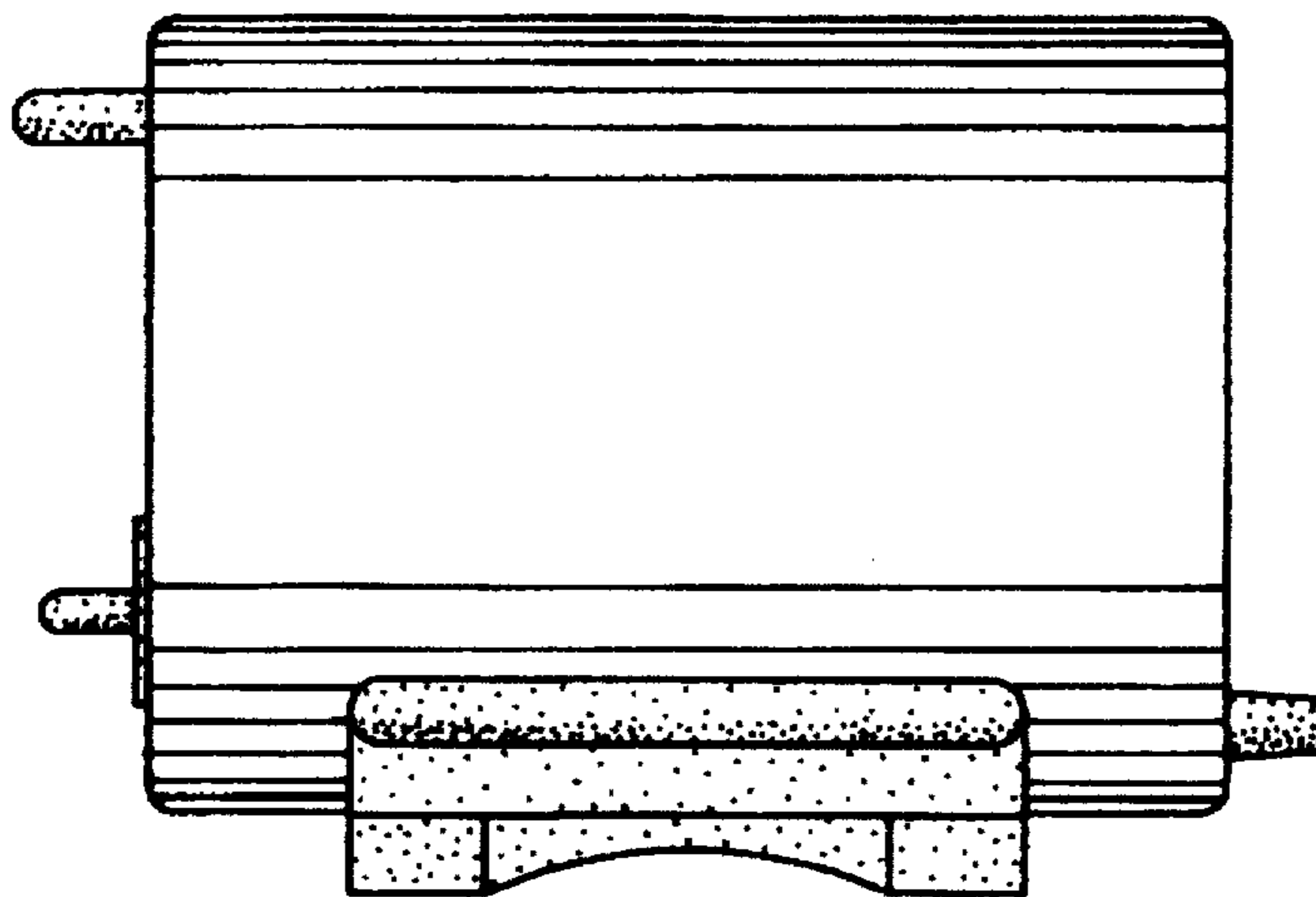


FIG. 5

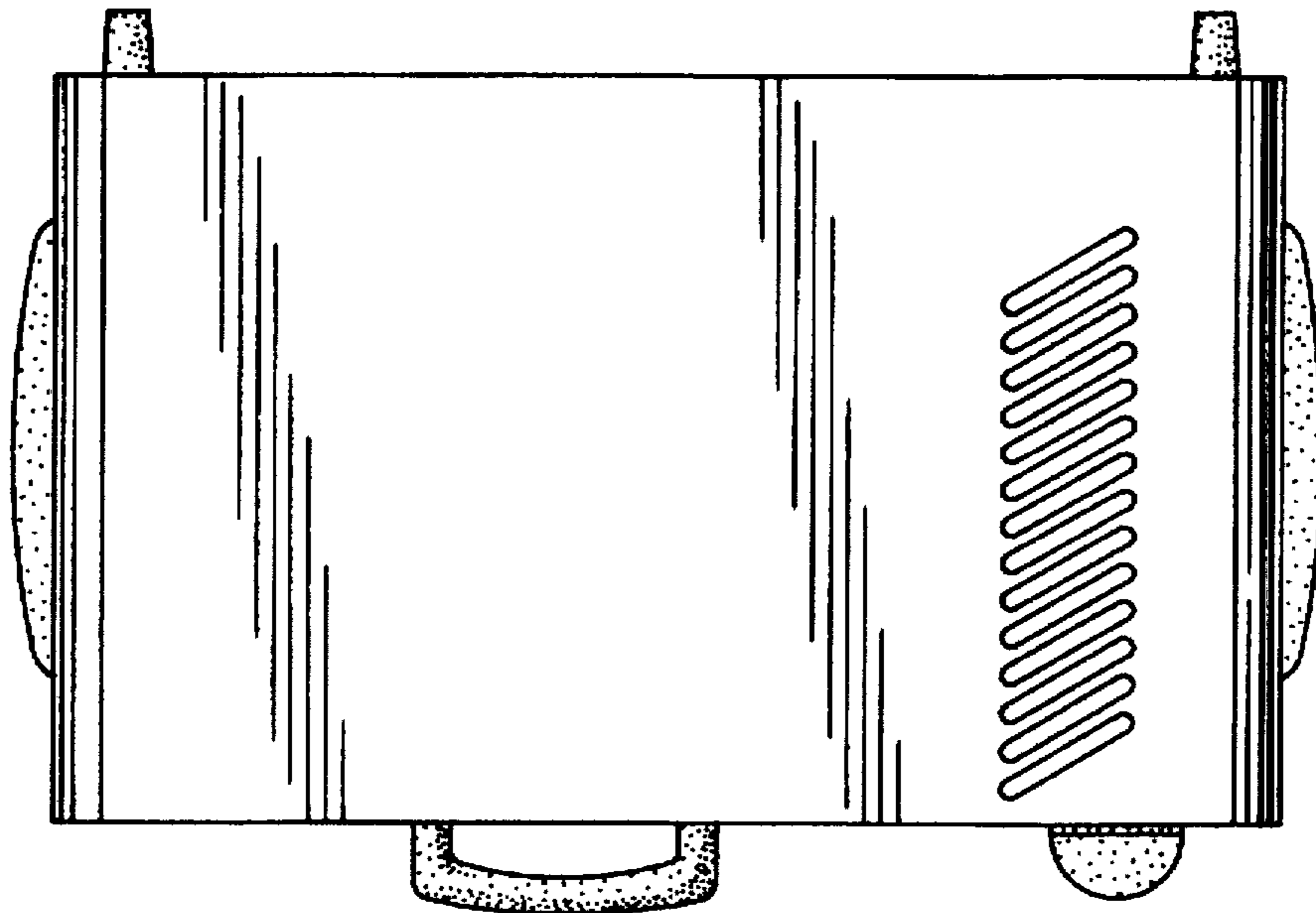


FIG. 6

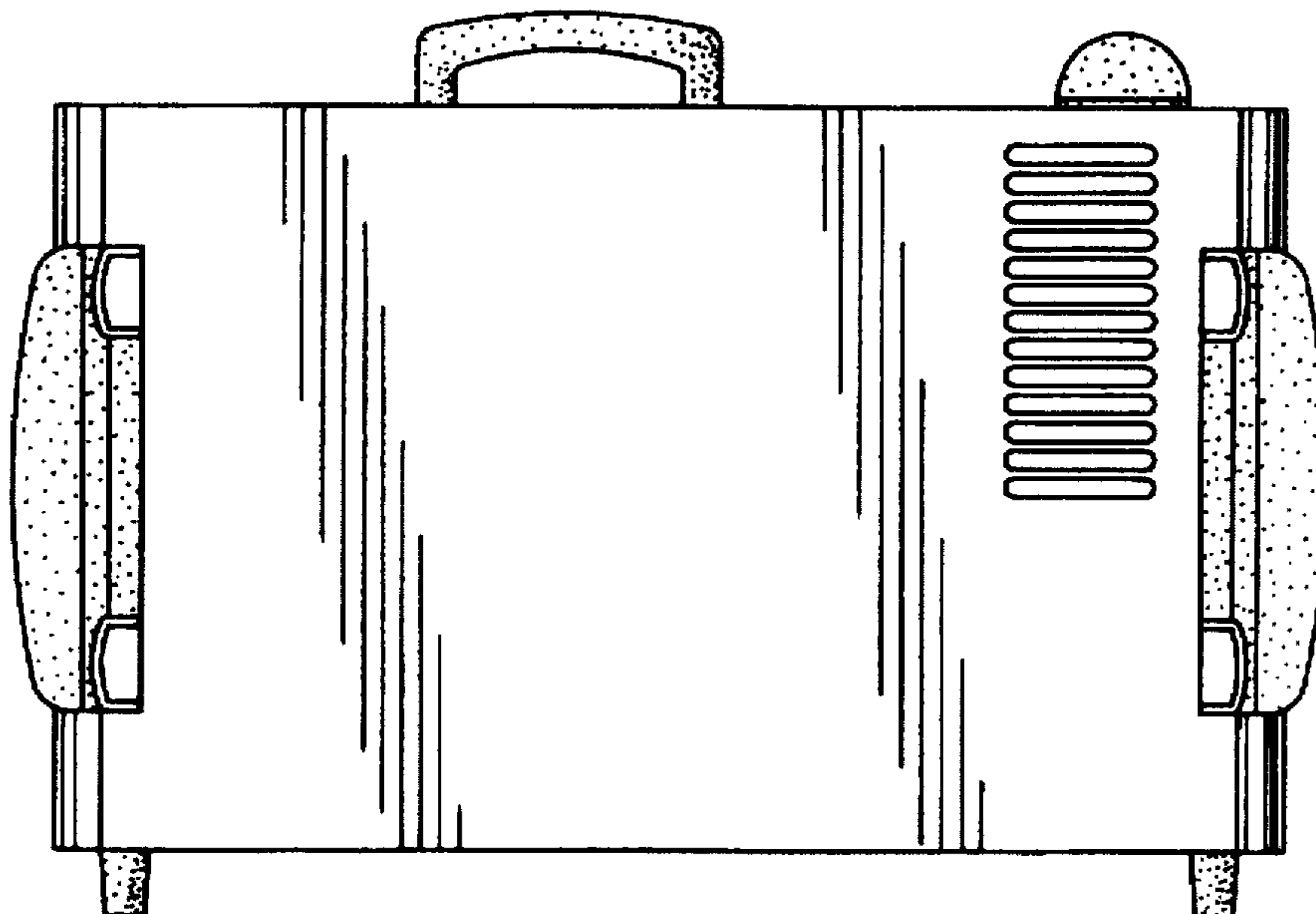


FIG. 7