



US00D385455S

United States Patent [19] Cortese

[11] Patent Number: **Des. 385,455**

[45] Date of Patent: ****Oct. 28, 1997**

[54] **COFFEE MACHINE**

[75] Inventor: **Virginio Cortese, Turin, Italy**

[73] Assignee: **Essegelle S.r.l., Turin, Italy**

[**] Term: **14 Years**

[21] Appl. No.: **53,967**

[22] Filed: **May 2, 1996**

[30] **Foreign Application Priority Data**

Nov. 3, 1995 [IT] Italy TO9500216

[51] **LOC (6) Cl.** **07-01**

[52] **U.S. Cl.** **D7/309; D7/311**

[58] **Field of Search** **D7/309, 310, 311,
D7/300; 99/279, 295**

[56] **References Cited**

U.S. PATENT DOCUMENTS

- D. 323,949 2/1992 Kahlcke D7/309
- D. 336,206 6/1993 Littmann D7/309
- D. 339,499 9/1993 Seiffert D7/311 X
- D. 342,860 1/1994 Azpiri D7/311 X
- D. 360,555 7/1995 Gil De Miguel D7/317 X

- D. 360,802 8/1995 Seiffert D7/311 X
- D. 364,306 11/1995 Storsberg D7/310 X
- D. 364,528 11/1995 Storsberg D7/310 X

OTHER PUBLICATIONS

Espresso-Cappucino Machine from Rowoco, HFD, Jun. 30, 1980, p. 54.

Espresso Machine (top left), Schoner Wohnen Oct. 1984 p. 112.

Primary Examiner—M. N. Pandozzi
Attorney, Agent, or Firm—Ladas & Parry

[57] **CLAIM**

The ornamental design for a coffee machine, as shown.

DESCRIPTION

FIG. 1 is a front elevational view of a coffee machine showing my new design;

FIG. 2 is a left side elevational view thereof;

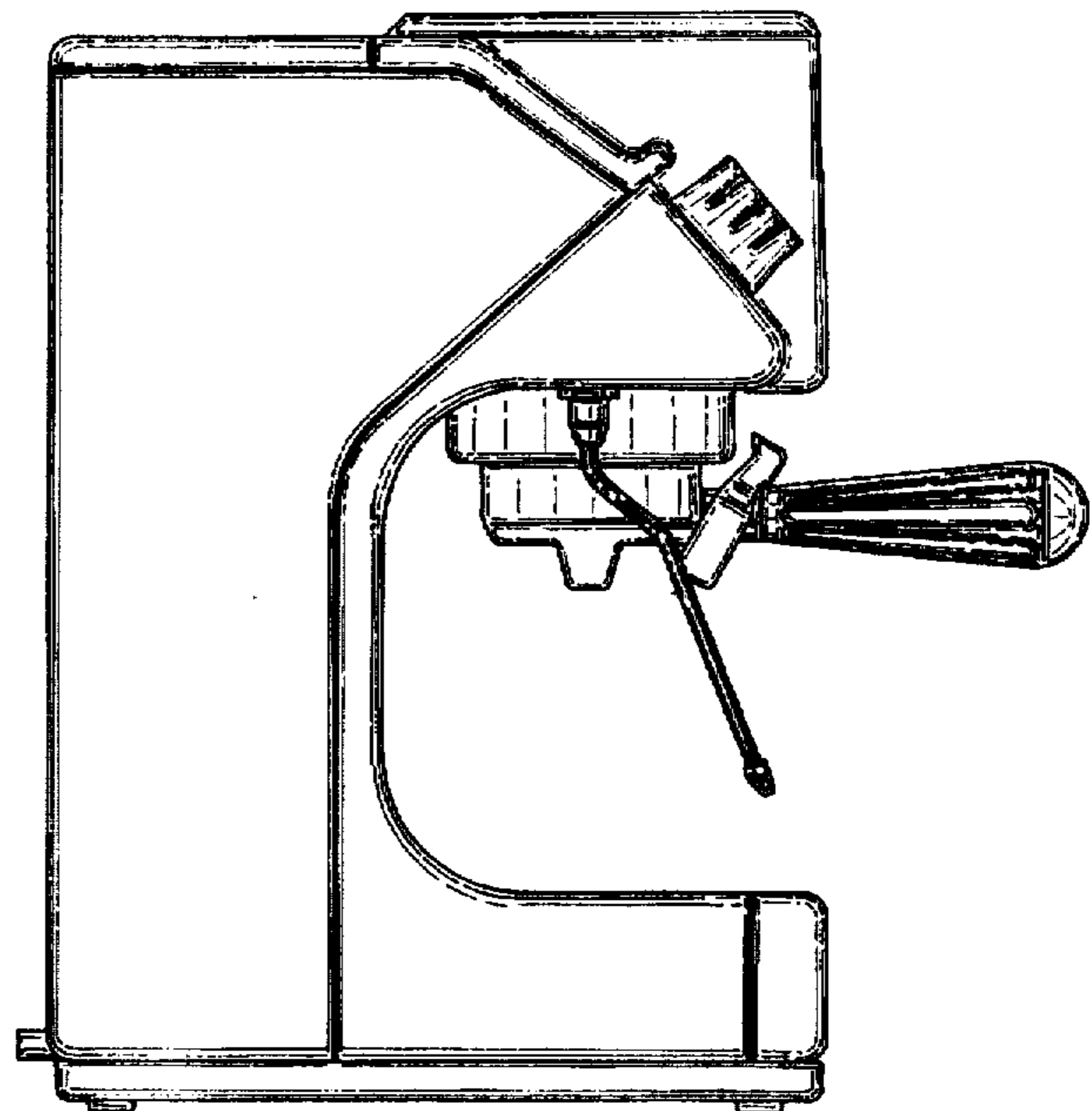
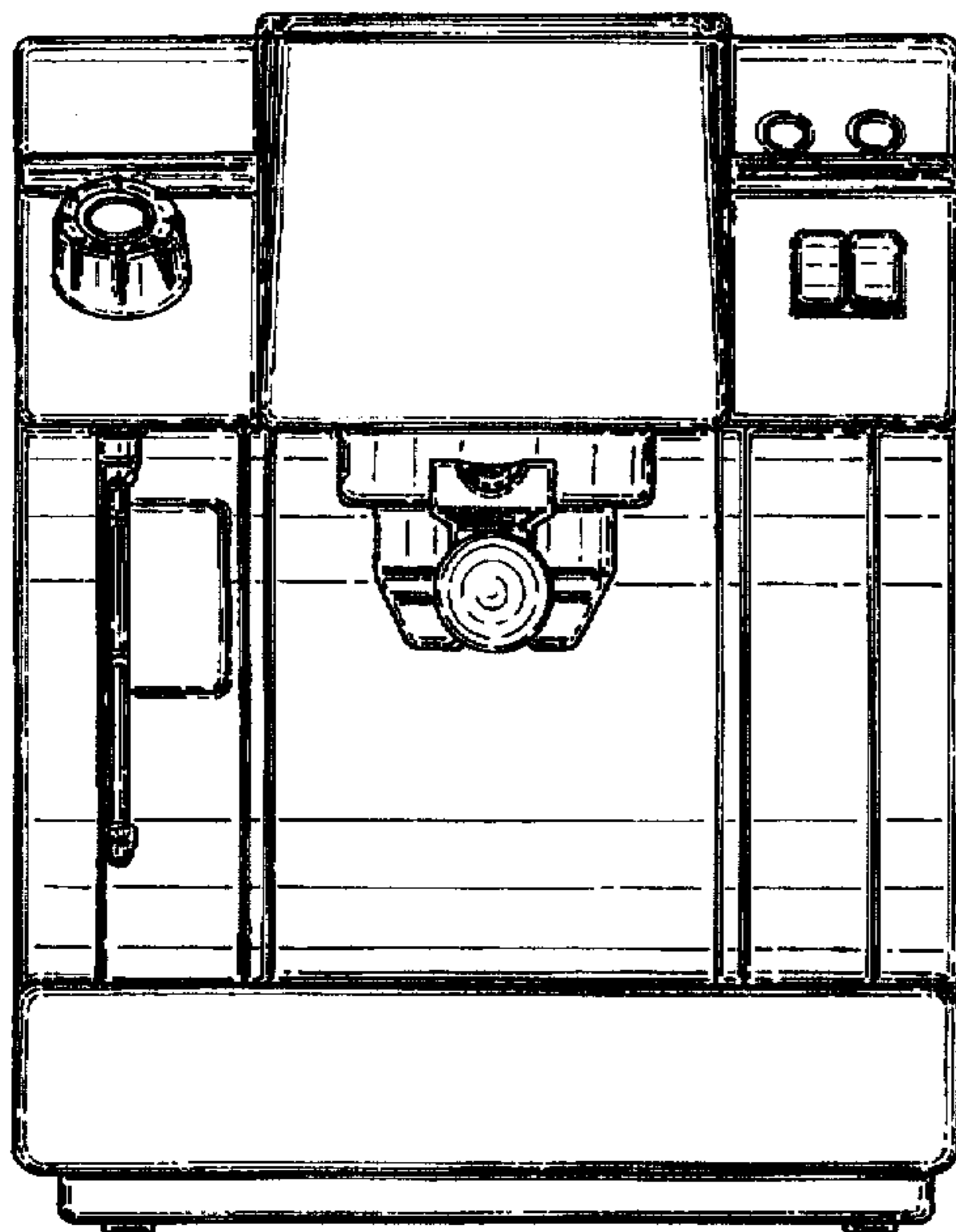
FIG. 3 is a right side elevational view thereof;

FIG. 4 is a rear elevational view thereof;

FIG. 5 is a top plan view thereof; and,

FIG. 6 is a bottom plan view thereof.

1 Claim, 3 Drawing Sheets



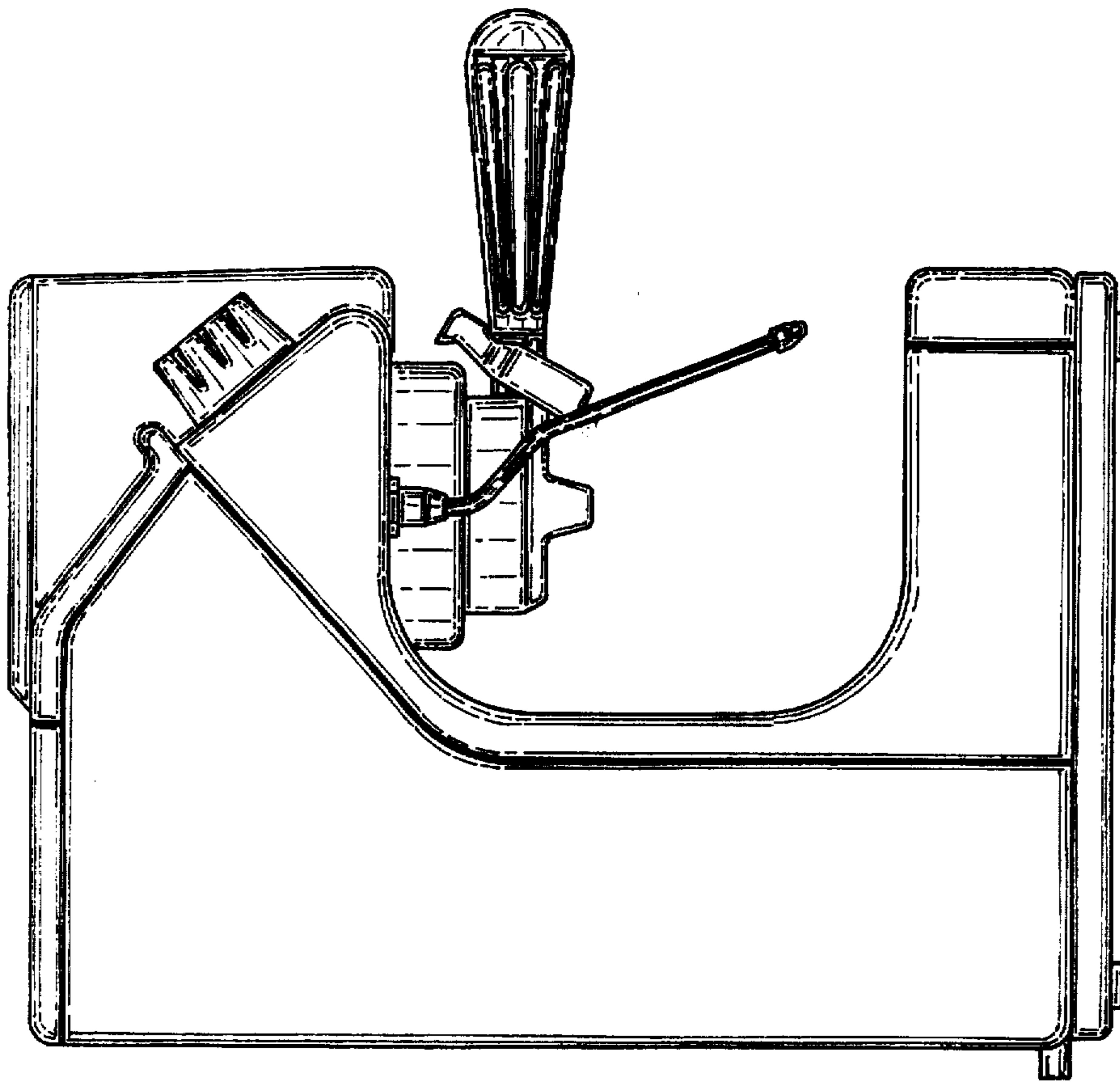


Fig. 2

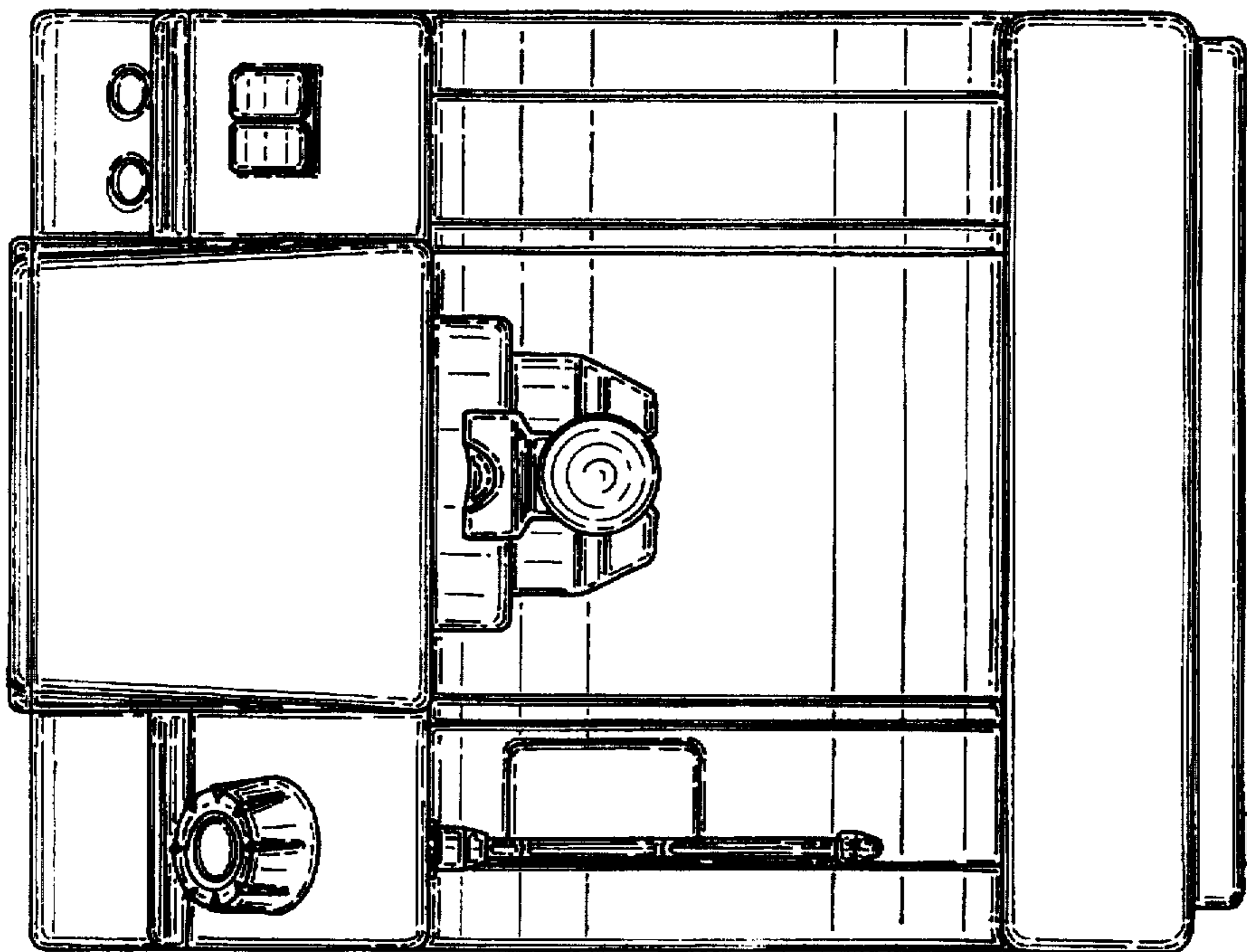


Fig. 1

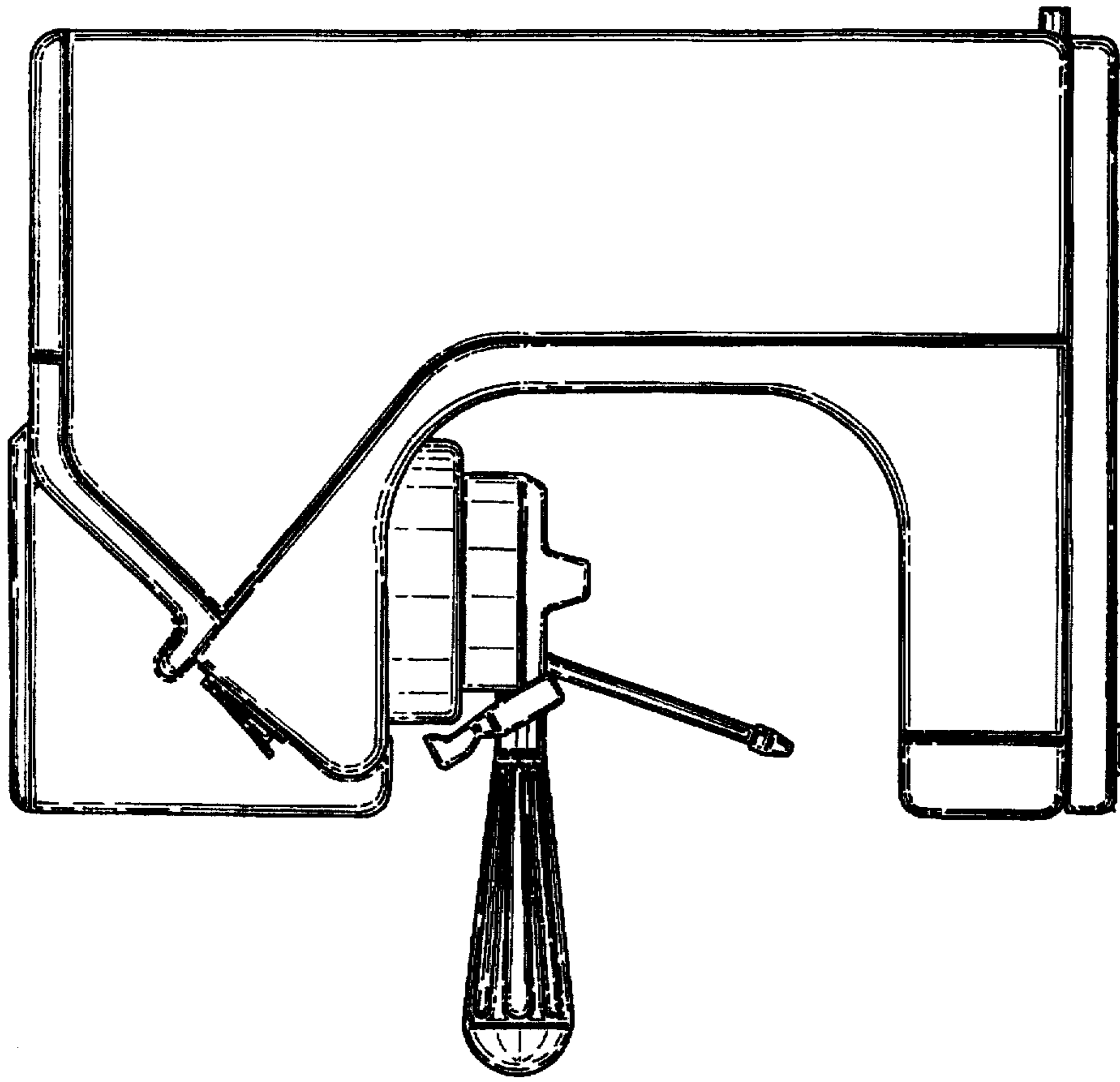


Fig.3

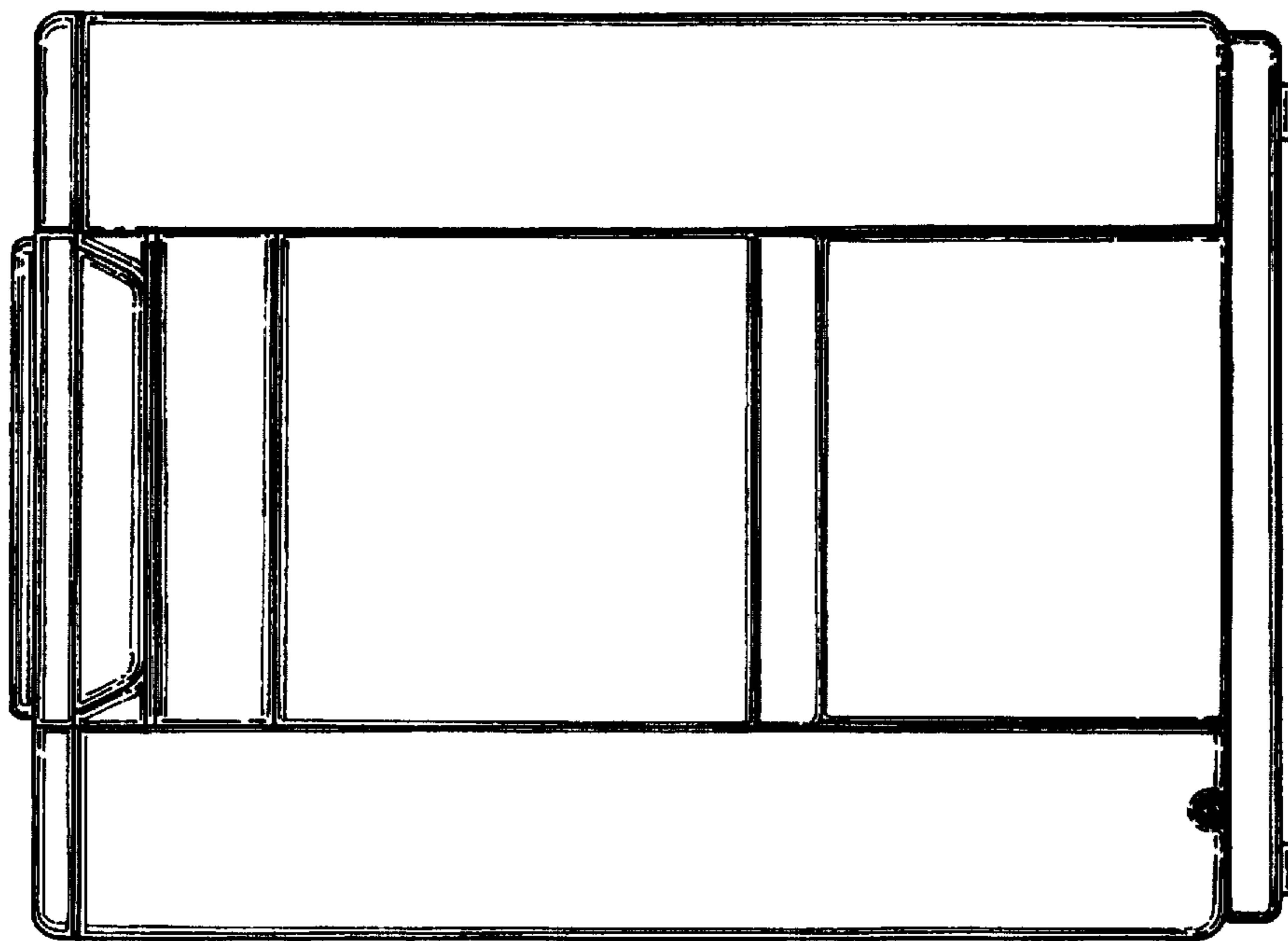


Fig.4

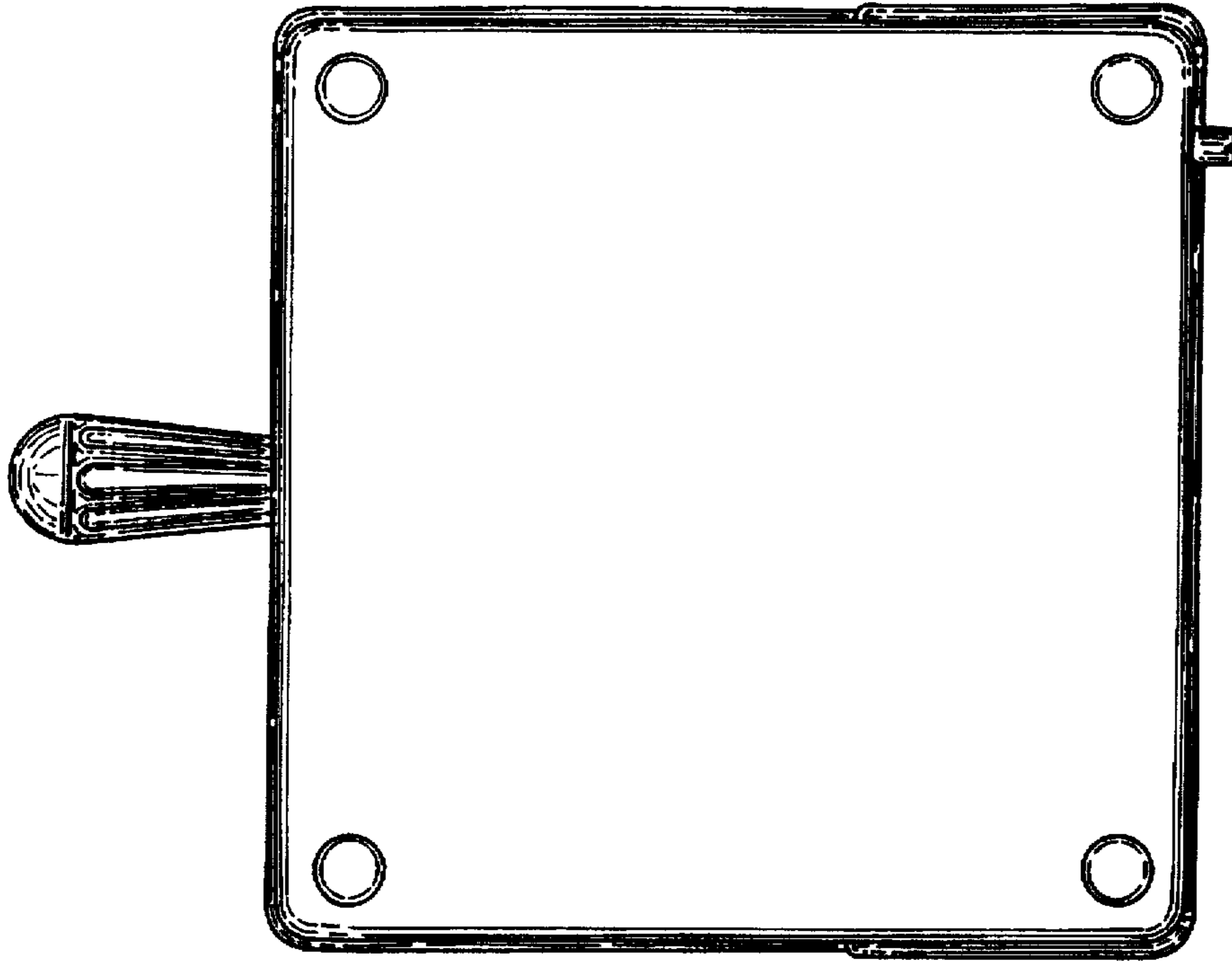


Fig.6

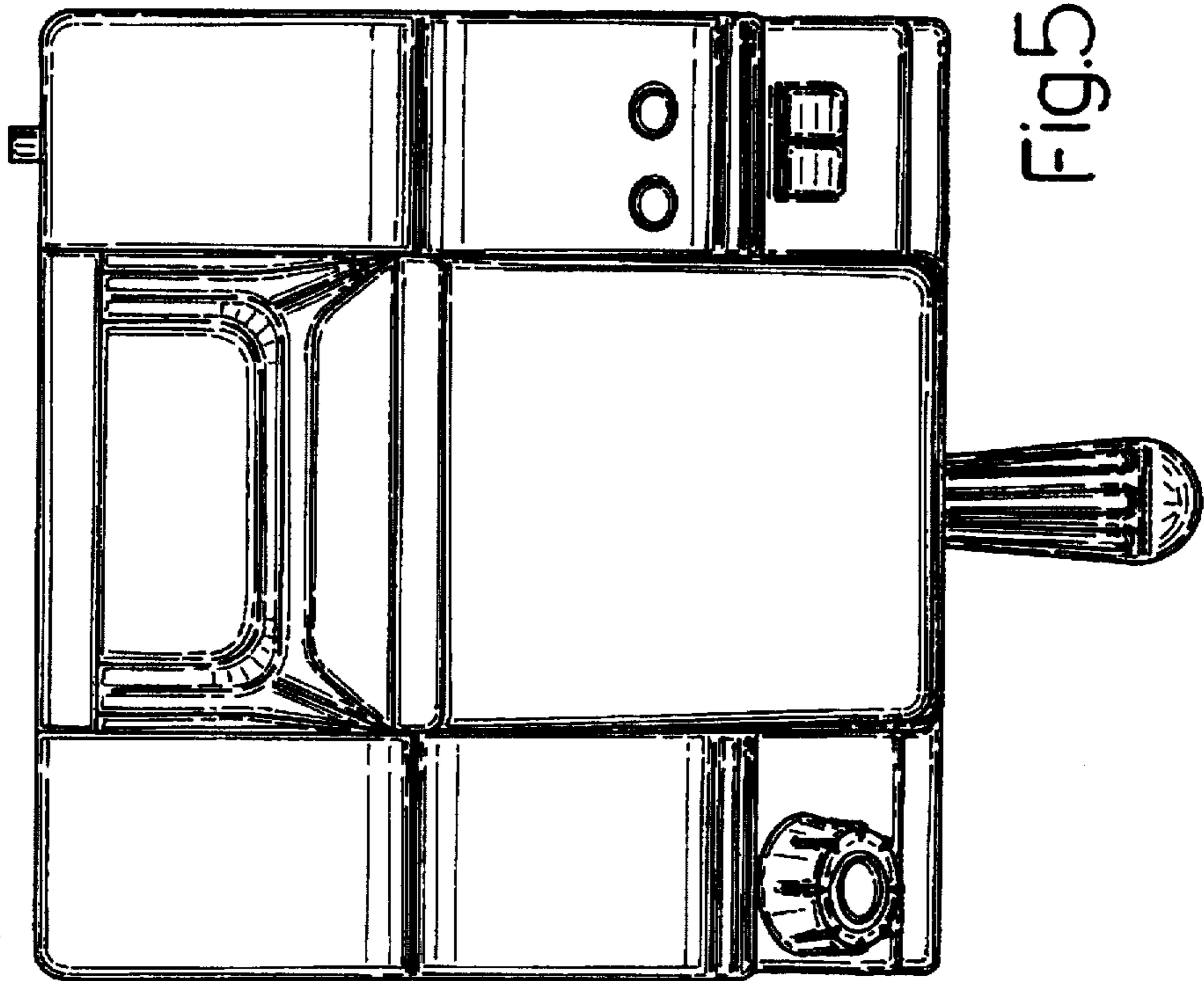


Fig.5