



US00D385452S

# United States Patent [19] Marti

[11] Patent Number: **Des. 385,452**

[45] Date of Patent: **\*\*Oct. 28, 1997**

[54] **BEACH PILLOW**

[76] Inventor: **Sue Marti**, 4710 N. William Ave.,  
LaVerne, Calif. 91750

[\*\*] Term: **14 Years**

[21] Appl. No.: **57,230**

[22] Filed: **Jul. 19, 1996**

[51] LOC (6) Cl. .... **06-09**

[52] U.S. Cl. .... **D6/601; D6/596; D3/233;  
D3/234**

[58] Field of Search ..... D6/595-597, 601,  
D6/604, 605; 5/636, 417-420, 706, 652-654;  
D3/201, 221, 229, 232, 233, 234, 238,  
245, 246, 254, 269

[56] **References Cited**

**U.S. PATENT DOCUMENTS**

D. 356,888	4/1995	Myers et al. ....	D3/254
4,852,778	8/1989	Beiser et al. ....	D3/229 X
5,361,435	11/1994	Reeves ....	5/419
5,435,025	7/1995	Gerard et al. ....	5/419

**FOREIGN PATENT DOCUMENTS**

2540366	8/1984	France .....	5/417
28351	of 1910	United Kingdom .....	D3/254

*Primary Examiner*—Janice E. Seeger  
*Attorney, Agent, or Firm*—Leo R. Carroll

[57] **CLAIM**

The ornamental design for a beach pillow, as shown and described.

**DESCRIPTION**

FIG. 1 is a front elevational view of a beach pillow, showing my new design;

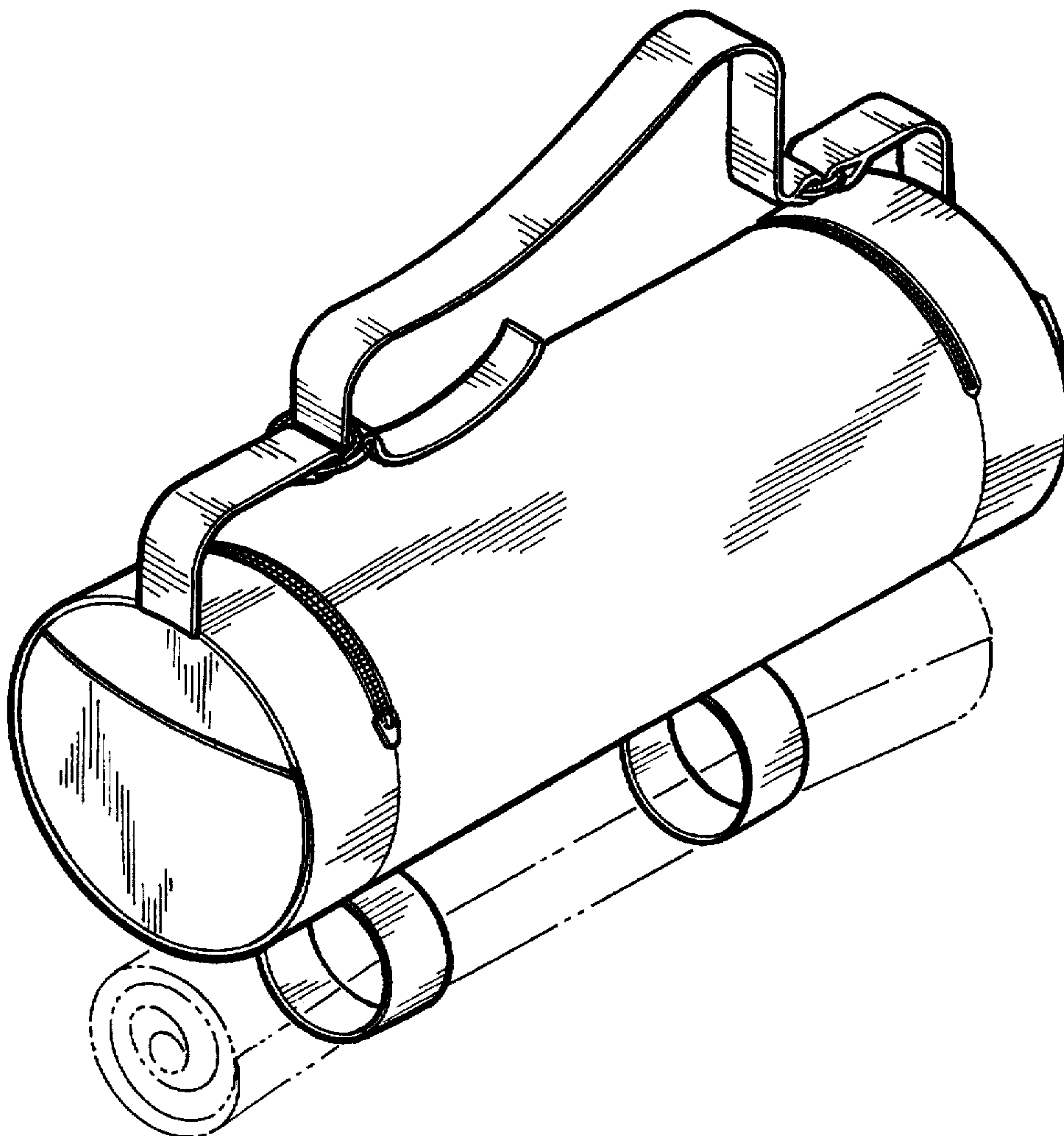
FIG. 2 is a bottom plan view;

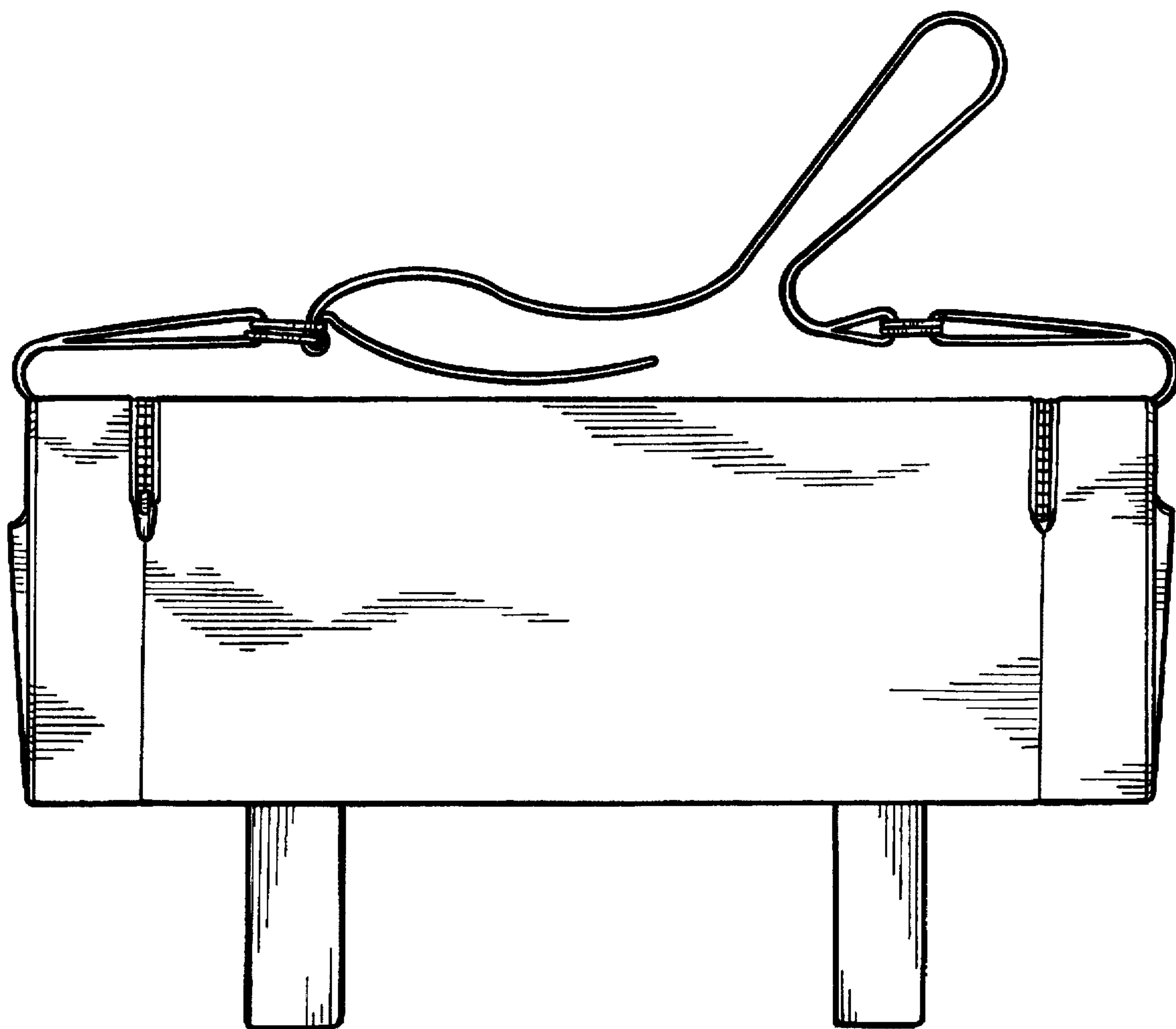
FIG. 3 is a top plan view; and,

FIG. 4 is a perspective view thereof; the broken line showing of a rolled towel is for environmental purposes only and forms no part of the claimed design.

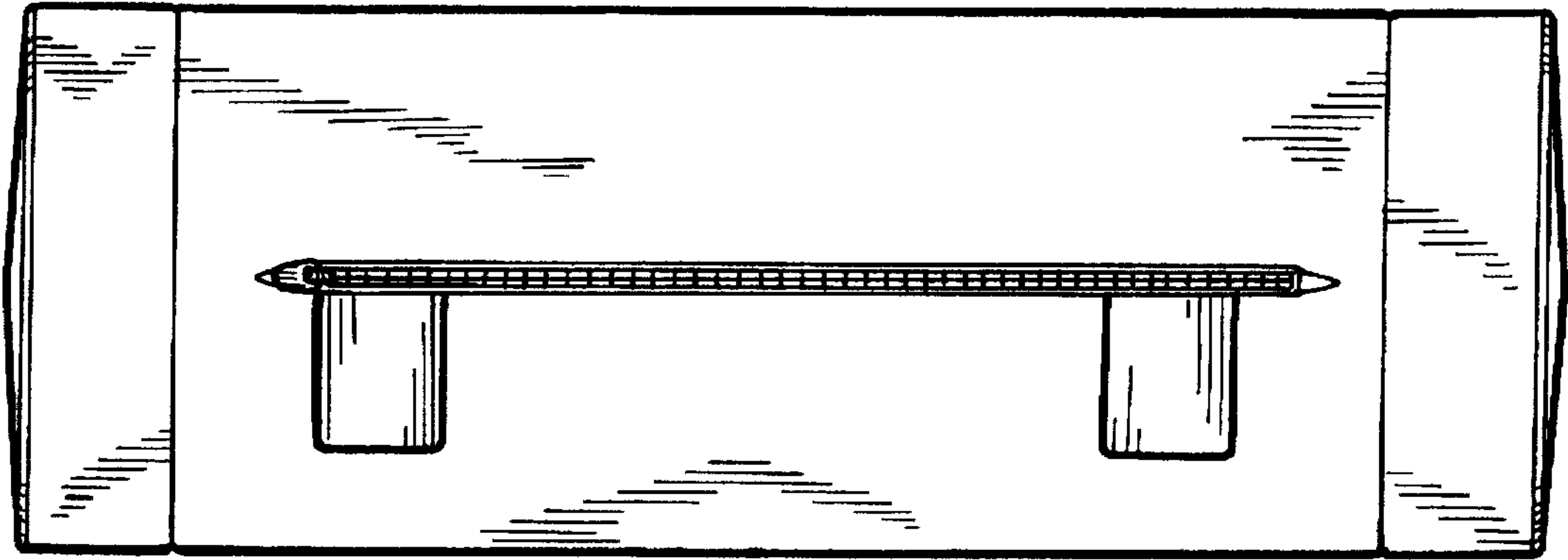
The end of article not shown is the same as that shown in FIG. 4.

**1 Claim, 3 Drawing Sheets**

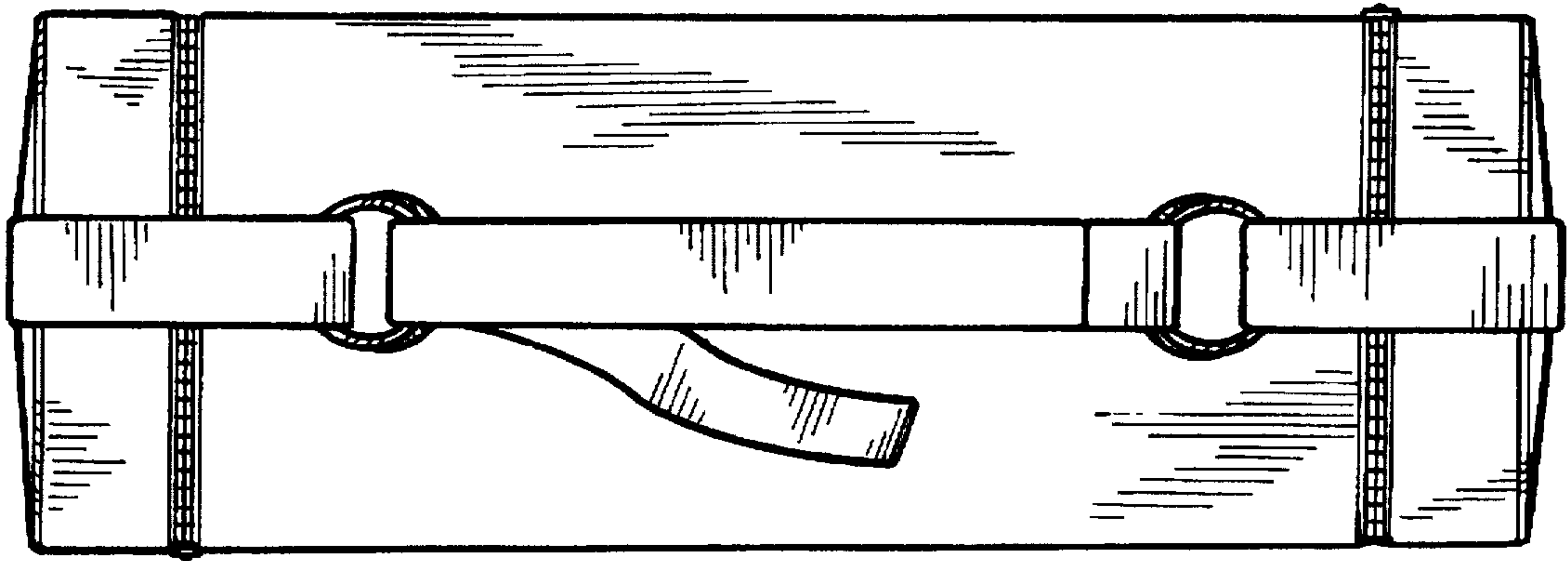




*FIG. 1*



*Fig. 2*



*Fig. 3*

