



US00D385446S

**United States Patent** [19]  
**Keserica**

[11] **Patent Number: Des. 385,446**  
[45] **Date of Patent: \*\*Oct. 28, 1997**

[54] **PAPER ROLL HOLDER**

*Attorney, Agent, or Firm—Hardaway Law Firm P.A.*

[76] **Inventor: Eugene Keserica, 102 Eastwood Dr.,  
Taylors, S.C. 29687**

[57] **CLAIM**

[\*\*] **Term: 14 Years**

The ornamental design for a paper roll holder, as shown and described.

[21] **Appl. No.: 52,955**

**DESCRIPTION**

[22] **Filed: Apr. 16, 1996**

[51] **LOC (6) Cl. .... 07-07**

FIG. 1 is a perspective view of a paper roll holder showing my new design;

[52] **U.S. Cl. .... D6/523**

FIG. 2 is a top plan view;

[58] **Field of Search .... D6/518, 521-523;  
242/570, 590, 597; 312/34.8; 206/389;  
211/181**

FIG. 3 is a front elevational view;

FIG. 4 is a right elevation view;

[56] **References Cited**

FIG. 5 is a bottom plan view; and,

FIG. 6 is a left elevational view thereof.

**U.S. PATENT DOCUMENTS**

- D. 277,347 1/1985 Thompson ..... D6/523
- D. 308,781 6/1990 Mintz ..... D6/523
- D. 362,360 9/1995 Lehn et al. .... D6/523
- 2,528,055 10/1950 Hartley et al. .... D6/523 X

The rear view of my design will not be seen when said paper roll holder is in use and, therefore, is unornamental.

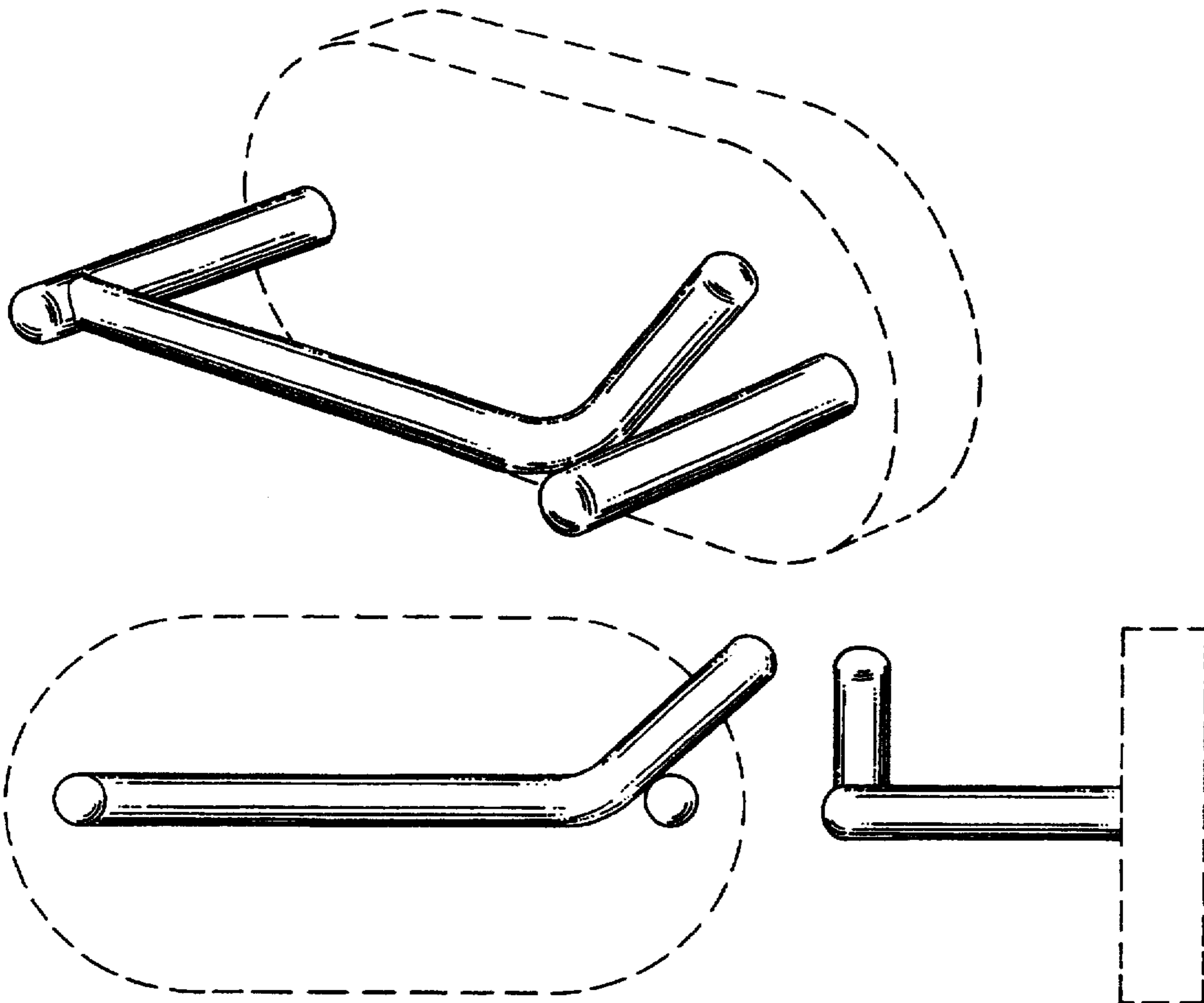
**OTHER PUBLICATIONS**

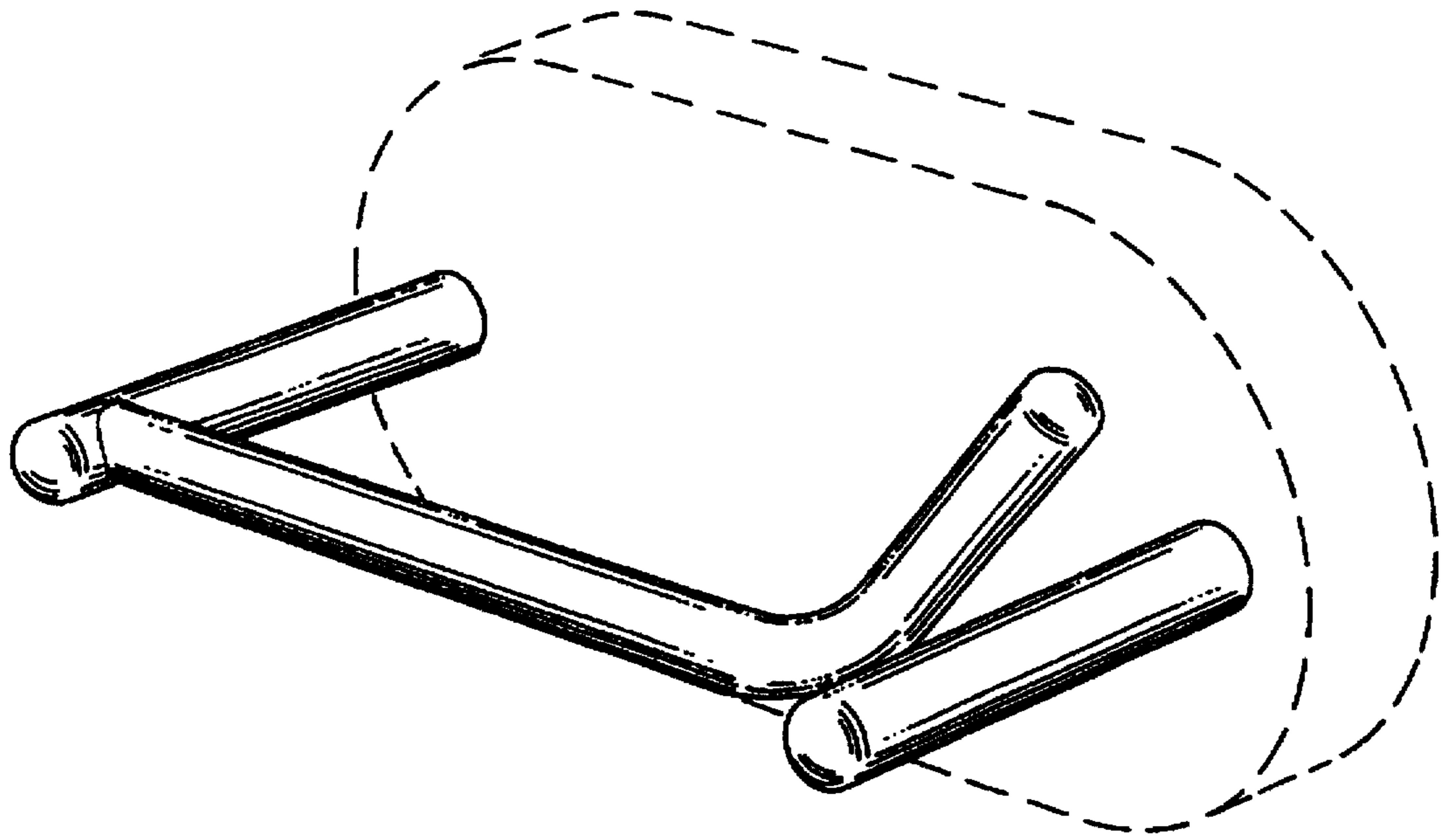
The broken line showing of a support in FIGS. 1, 2, 3, 4, 5, and 6 are for illustrative purposes only and form no part of the claimed design.

"Interdesign" brochure, toilet paper roll holder (bottom right).

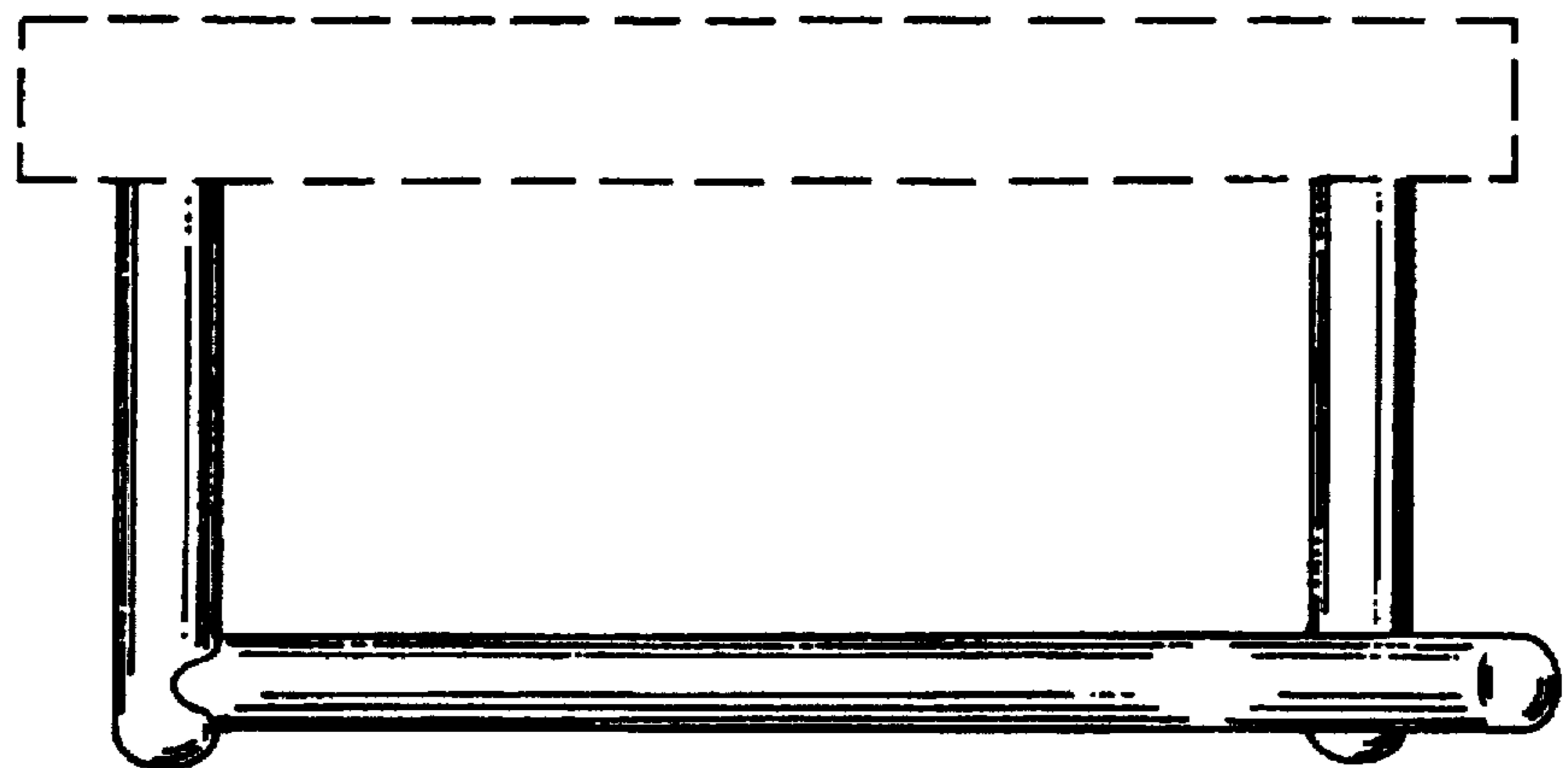
*Primary Examiner—Brian N. Vinson*

**1 Claim, 2 Drawing Sheets**

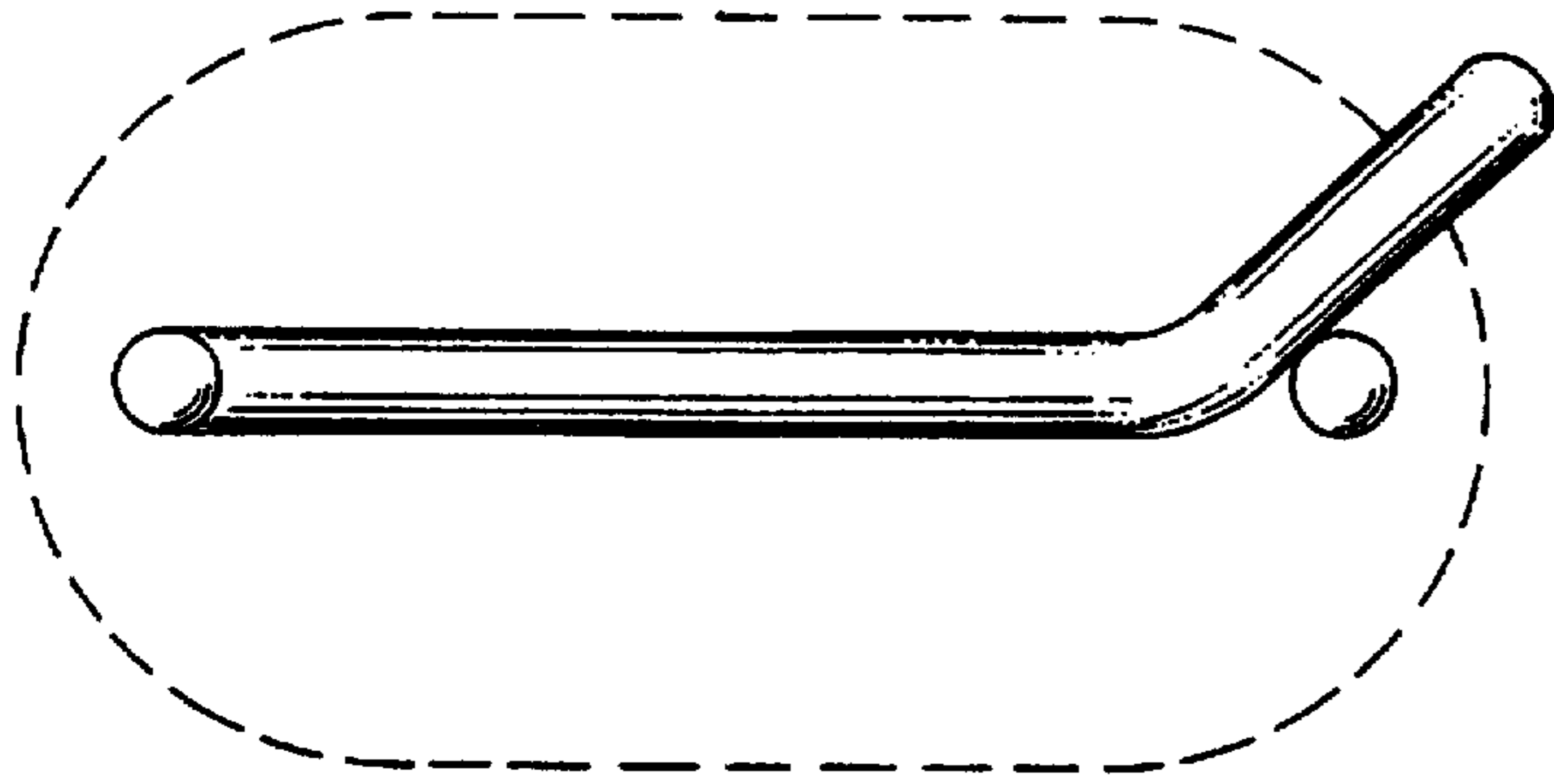




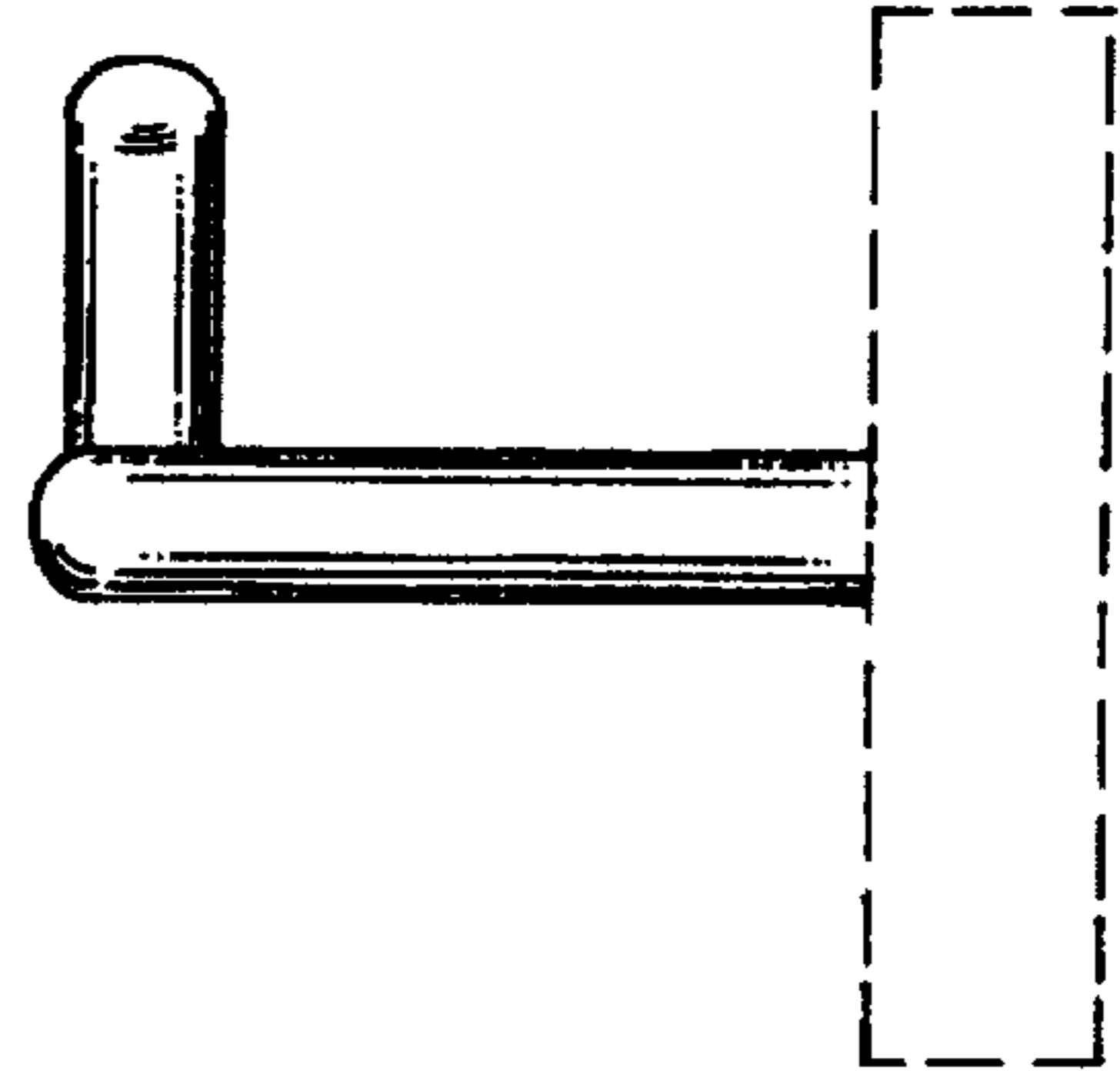
*Fig. 1*



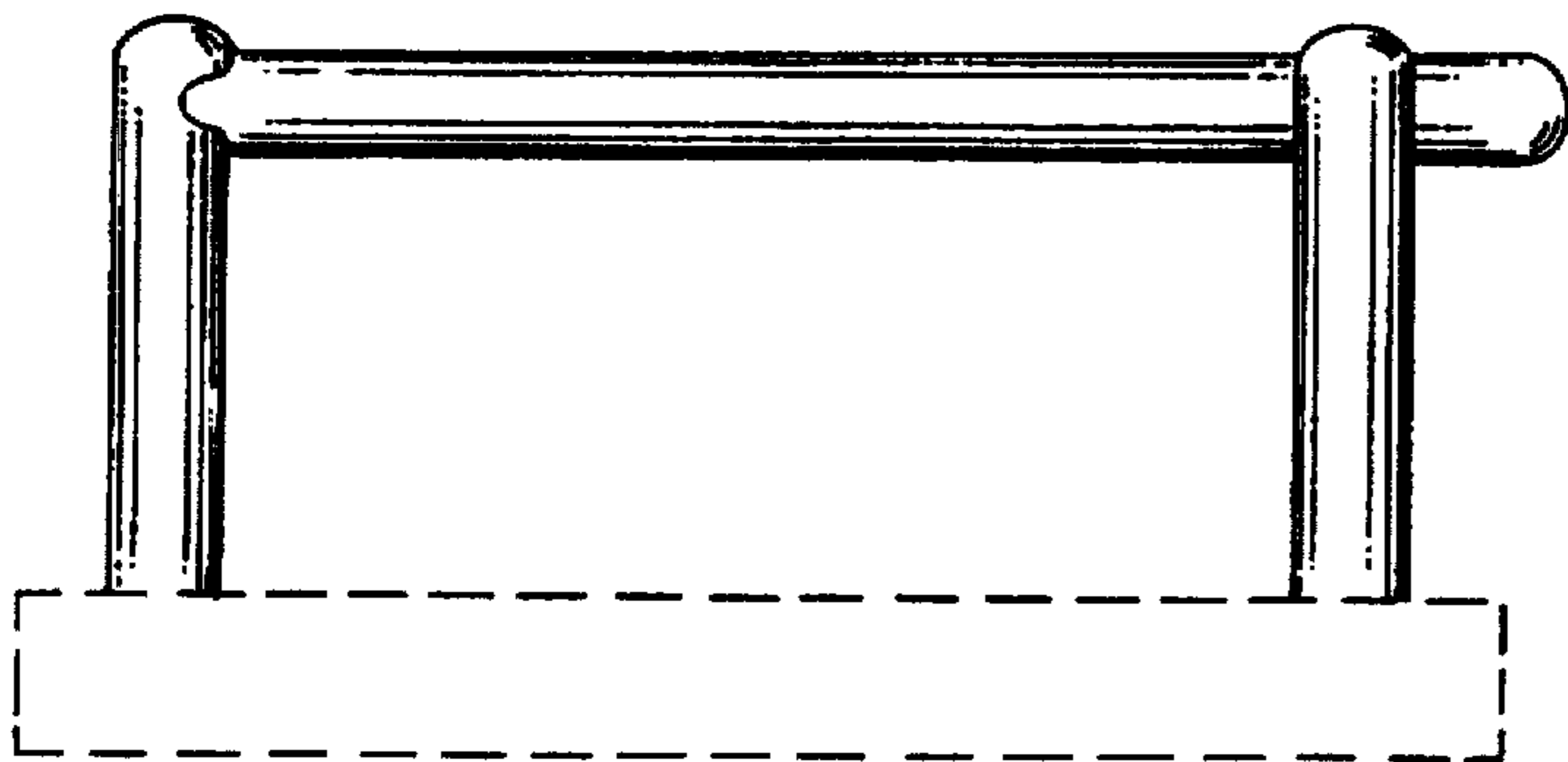
*Fig. 2*



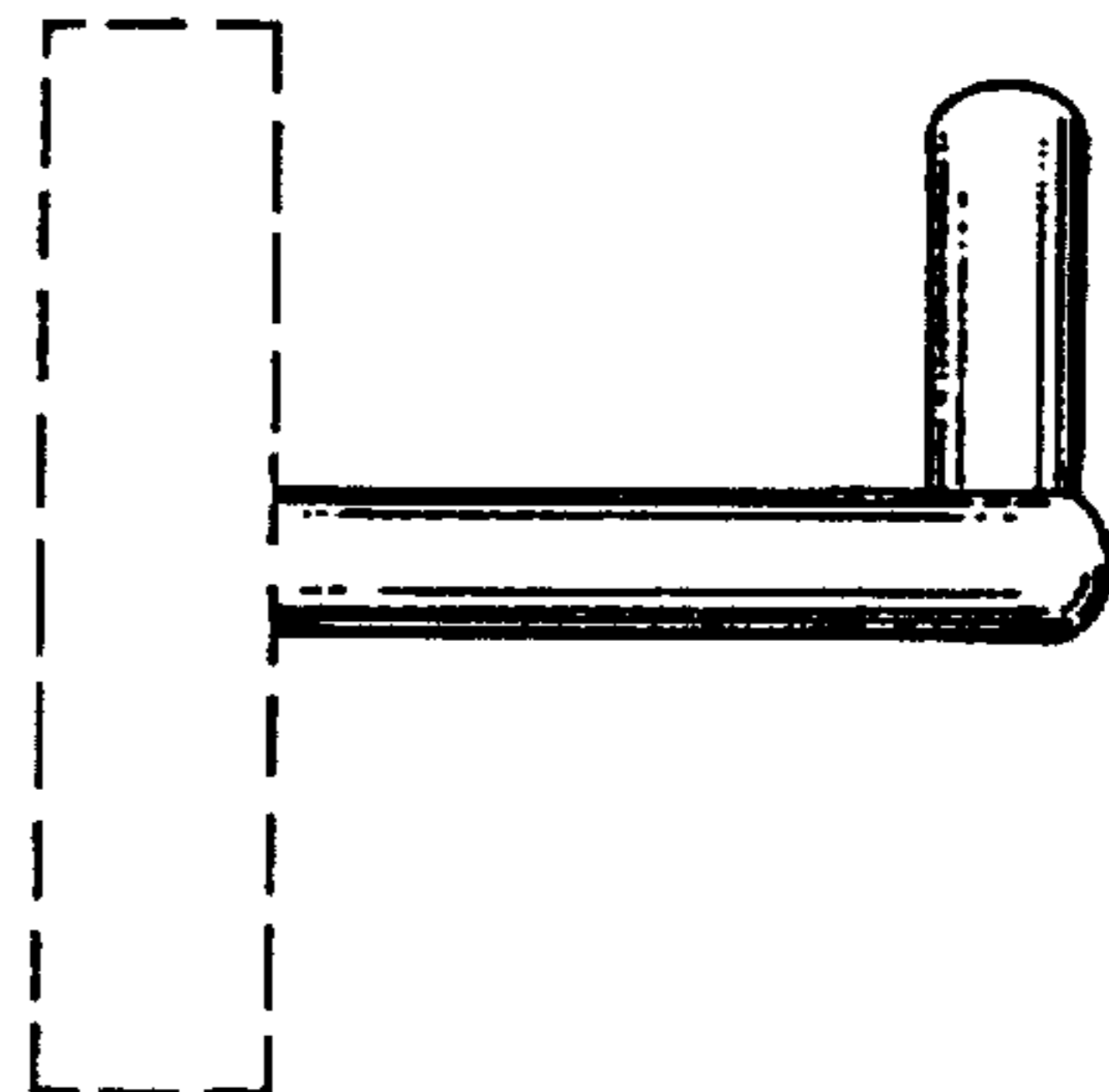
*Fig. 3*



*Fig. 4*



*Fig. 5*



*Fig. 6*