

US00D385444S

United States Patent [19]

Welch et al.

[11] Patent Number: **Des. 385,444**

[45] Date of Patent: ****Oct. 28, 1997**

[54] **SHELF**

4,953,962 9/1990 Shoji et al. 312/116 X
5,158,187 10/1992 Taub 211/186

[75] Inventors: **Robert J. Welch, Dallas; Willard J. Sickles, Dalton; John G. Nackley, Dallas, all of Pa.**

Primary Examiner—Jeffrey Asch
Attorney, Agent, or Firm—Fitzpatrick, Cella, Harper & Scinto

[73] Assignee: **Metro Industries Inc., Reno, Nev.**

[57] CLAIM

[**] Term: **14 Years**

The ornamental design for a shelf, as shown and described.

[21] Appl. No.: **52,868**

DESCRIPTION

[22] Filed: **Apr. 10, 1996**

[51] LOC (6) Cl. **06-06**

[52] U.S. Cl. **D6/511; D6/465**

[58] Field of Search D6/509-511, 477-479,
D6/462-465; 211/187, 181, 186; 108/144,
181; 312/116

FIG. 1 is a perspective view of a shelf in accordance with the present invention;

FIG. 2 is an enlarged fragmentary perspective view of the left-most corner shown in FIG. 1;

FIG. 3 is an enlarged fragmentary perspective view of the right-most corner shown in FIG. 1;

FIG. 4 is a front elevational view shown broken away for convenience of illustration, the rear being a mirror image thereof;

FIG. 5 is a right side elevational view shown broken away for convenience of illustration, the left side being a mirror image thereof; and,

FIG. 6 is a top plan view thereof.

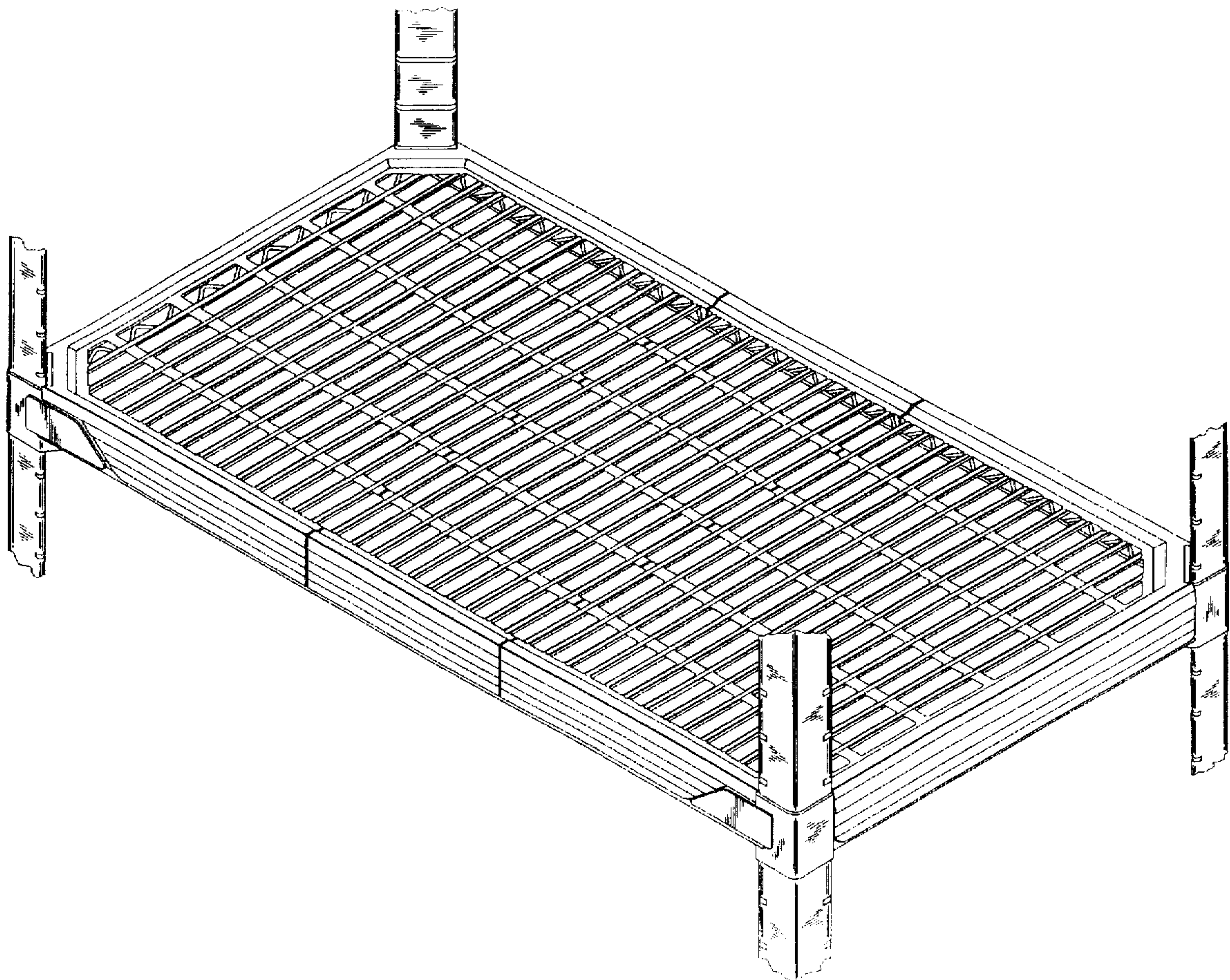
The support standards at each corner are shown broken away at the top and bottom to indicate indeterminate length.

[56] References Cited

U.S. PATENT DOCUMENTS

D. 241,297	9/1976	Maslow	D6/477	X
D. 333,059	2/1993	Cohn et al.	D6/511	
D. 338,792	8/1993	Chap et al.	D6/511	
D. 341,967	12/1993	Cohn	D6/511	X
3,927,769	12/1975	Maslow et al.	D6/511	X
4,593,826	6/1986	Bustos	211/187	
4,637,323	1/1987	Nicely	211/187	X

1 Claim, 4 Drawing Sheets



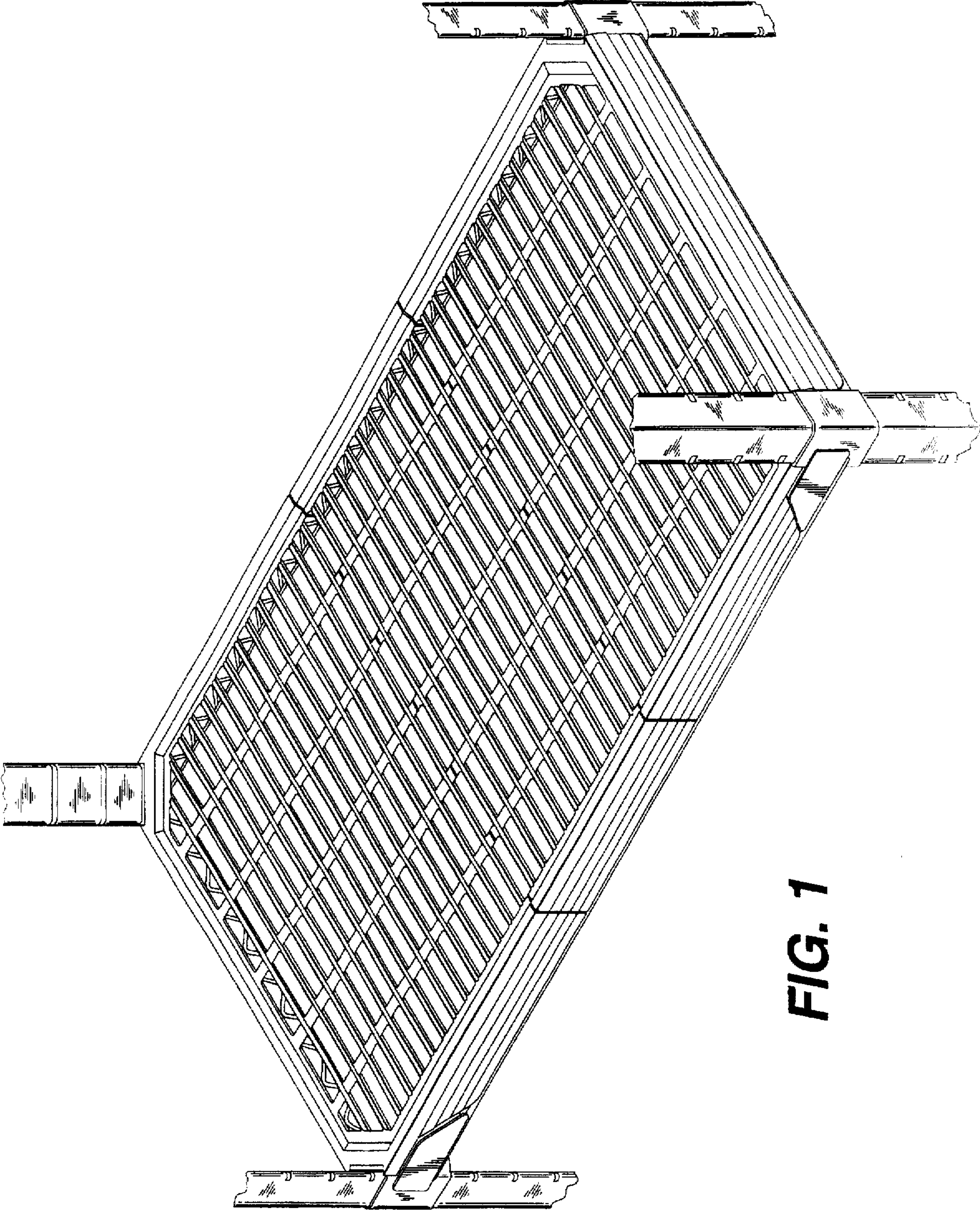


FIG. 1

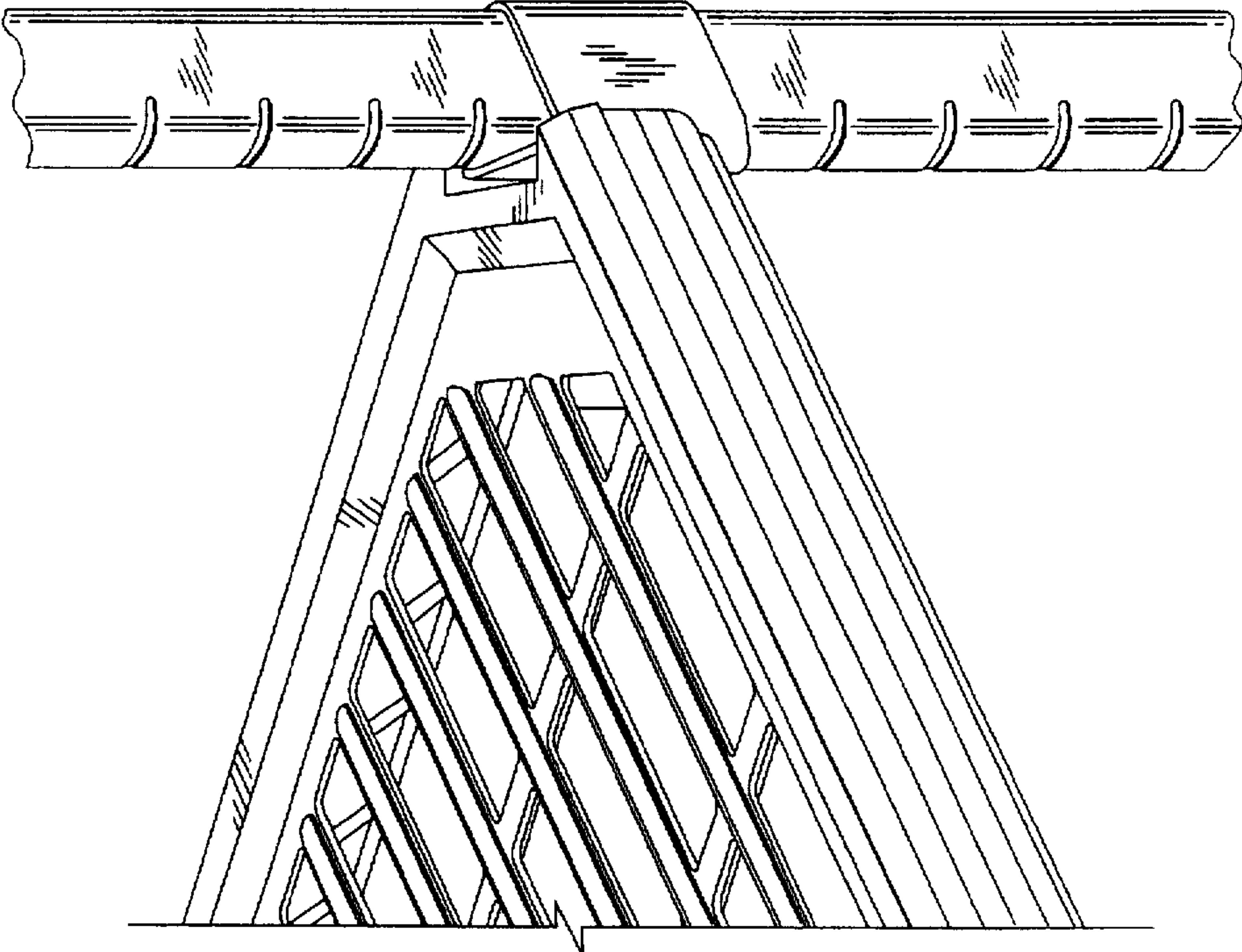


FIG. 3

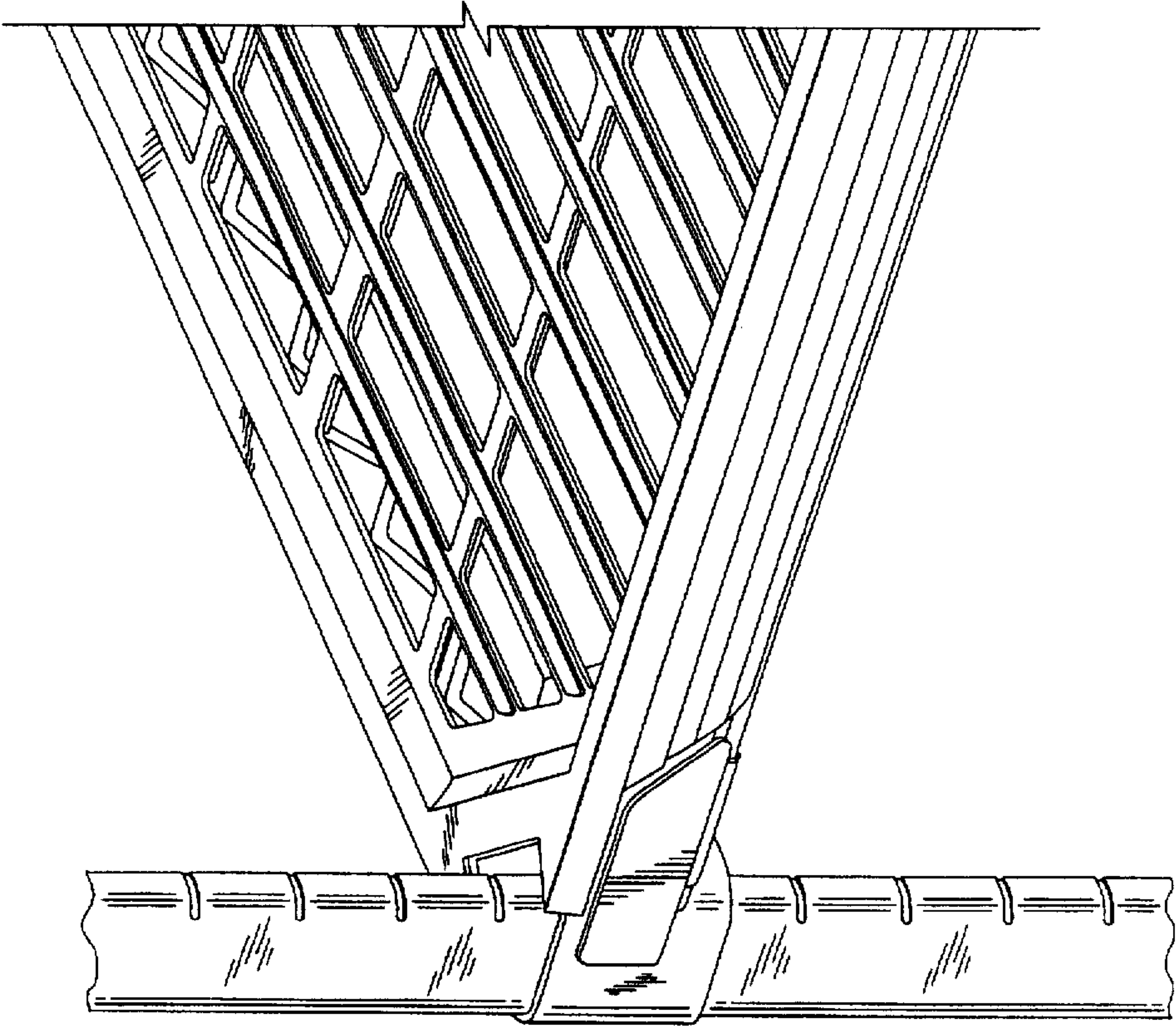


FIG. 2

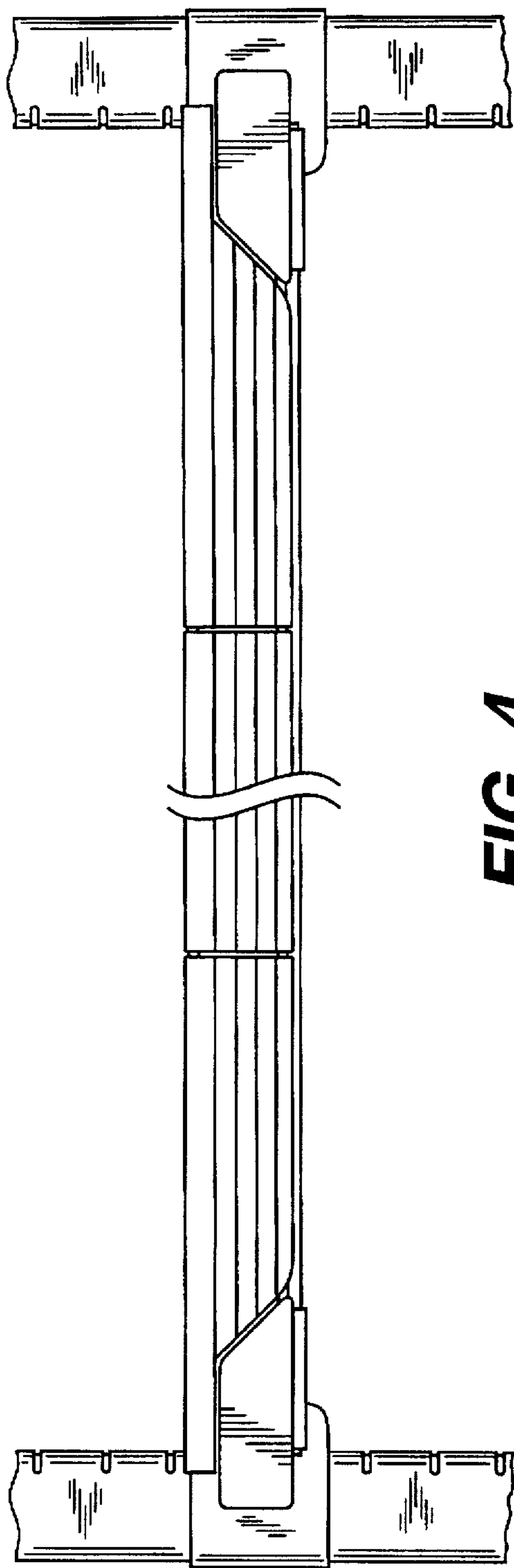


FIG. 4

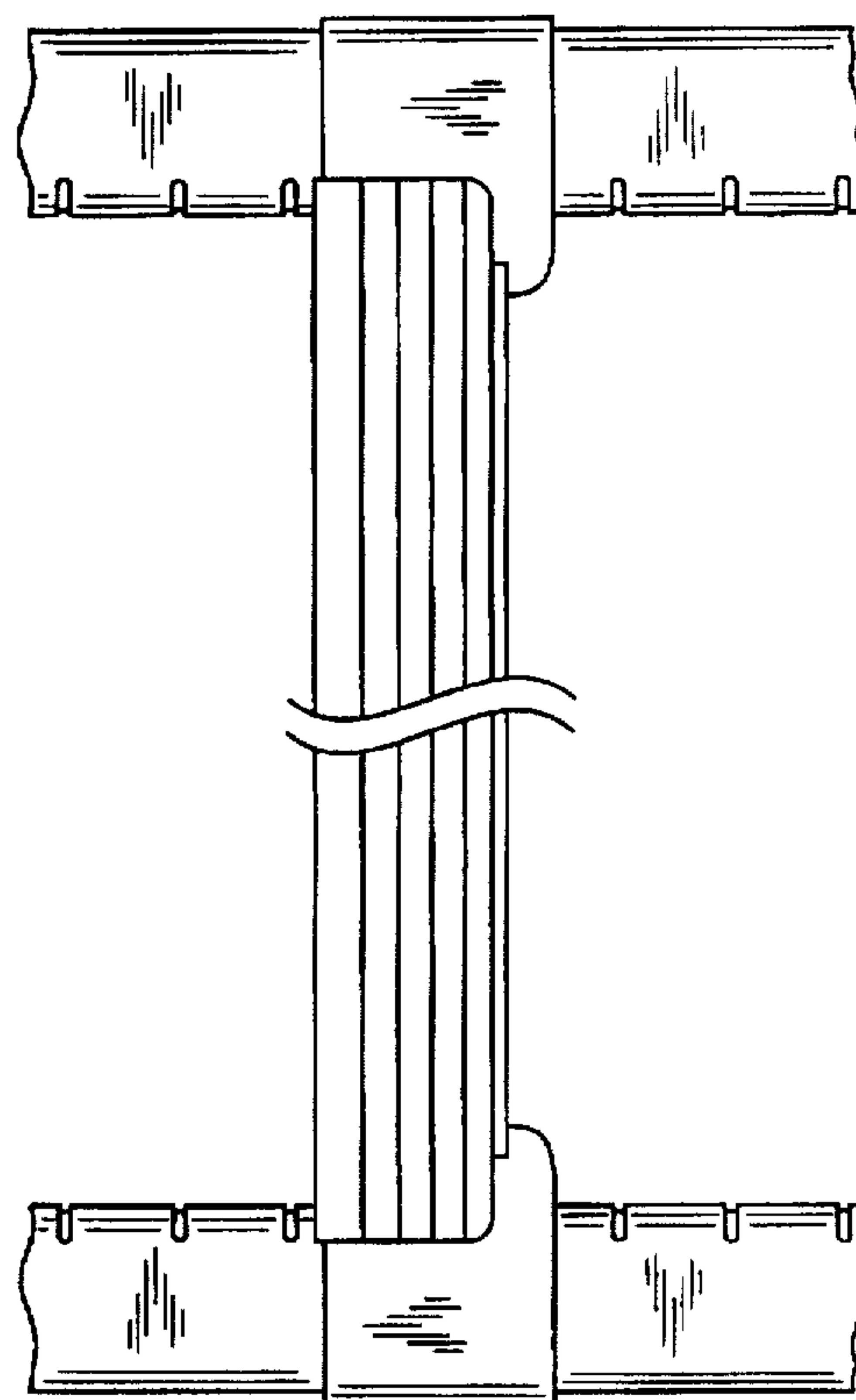


FIG. 5

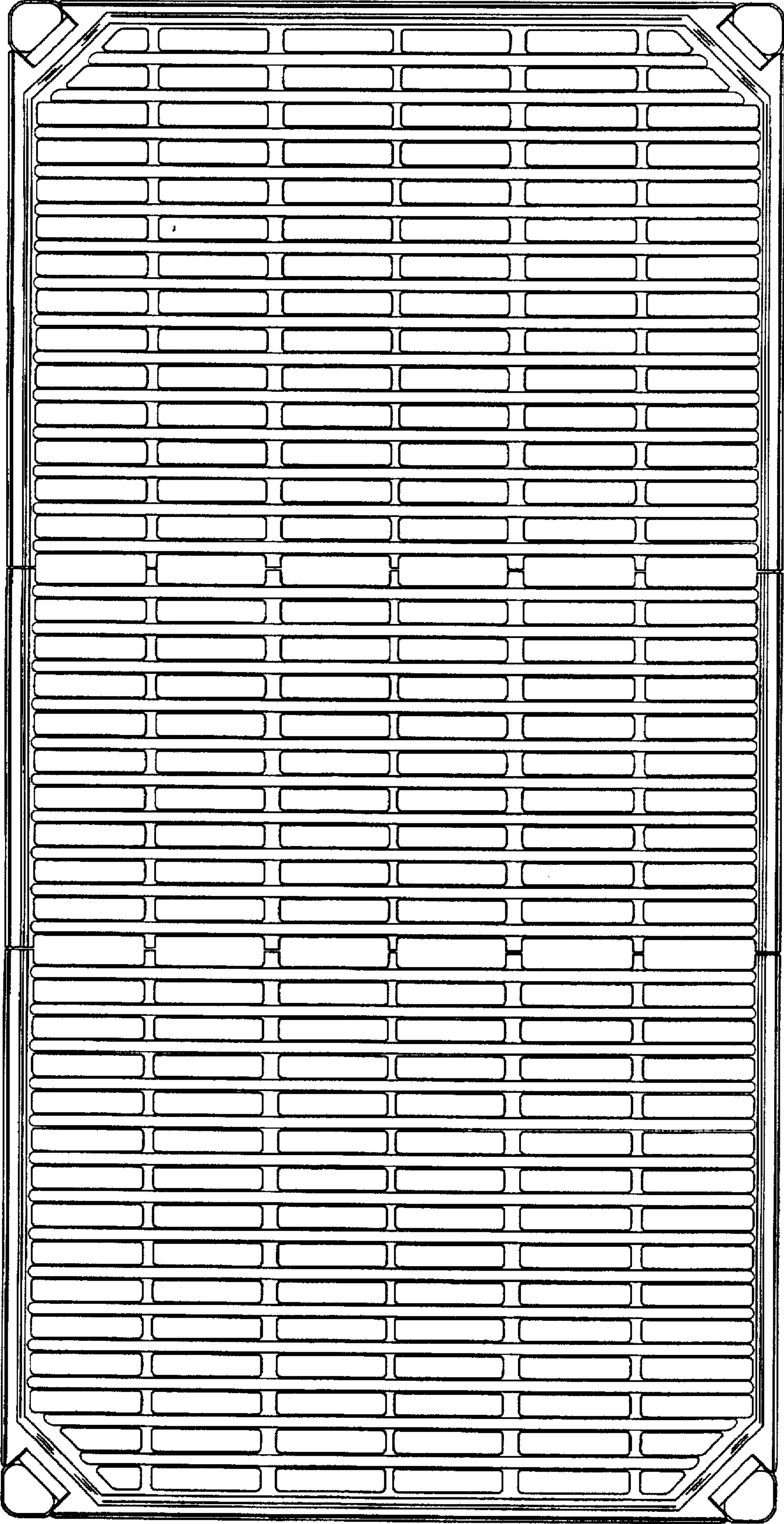


FIG. 6