



US00D385443S

# United States Patent [19]

Brunner et al.

[11] Patent Number: **Des. 385,443**

[45] Date of Patent: **\*\*Oct. 28, 1997**

[54] **DRAWER FRONT**

[75] Inventors: **Merlin A. Brunner**, Appleton; **Harvey J. Draheim**, Weyauwega, both of Wis.

[73] Assignee: **Simmons Juvenile Products Company, Inc.**, New London, Wis.

[\*\*] Term: **14 Years**

[21] Appl. No.: **57,601**

[22] Filed: **Jul. 29, 1996**

[51] LOC (6) Cl. .... **06-04**

[52] U.S. Cl. .... **D6/510**

[58] Field of Search ..... D6/510, 509, 445, D6/446; 312/330.1, 348.4

[56] **References Cited**

**U.S. PATENT DOCUMENTS**

D. 278,957 5/1985 Flötotto ..... D6/446 X

D. 315,262 3/1991 Denningham ..... D6/446 X  
D. 335,409 5/1993 Kellems ..... D6/510  
D. 367,778 3/1996 Brunner et al. .... D6/445

*Primary Examiner*—James Gandy  
*Assistant Examiner*—Linda Brooks  
*Attorney, Agent, or Firm*—Hoffmann & Baron, LLP

[57] **CLAIM**

The ornamental design for a drawer front, as shown and described.

**DESCRIPTION**

FIG. 1 is a top perspective view of a drawer front showing our new design;

FIG. 2 is a top plan view thereof;

FIG. 3 is a front elevation view thereof;

FIG. 4 is a side elevation view, the opposite side being a mirror image thereof; and,

FIG. 5 is a rear elevation view thereof.

**1 Claim, 2 Drawing Sheets**

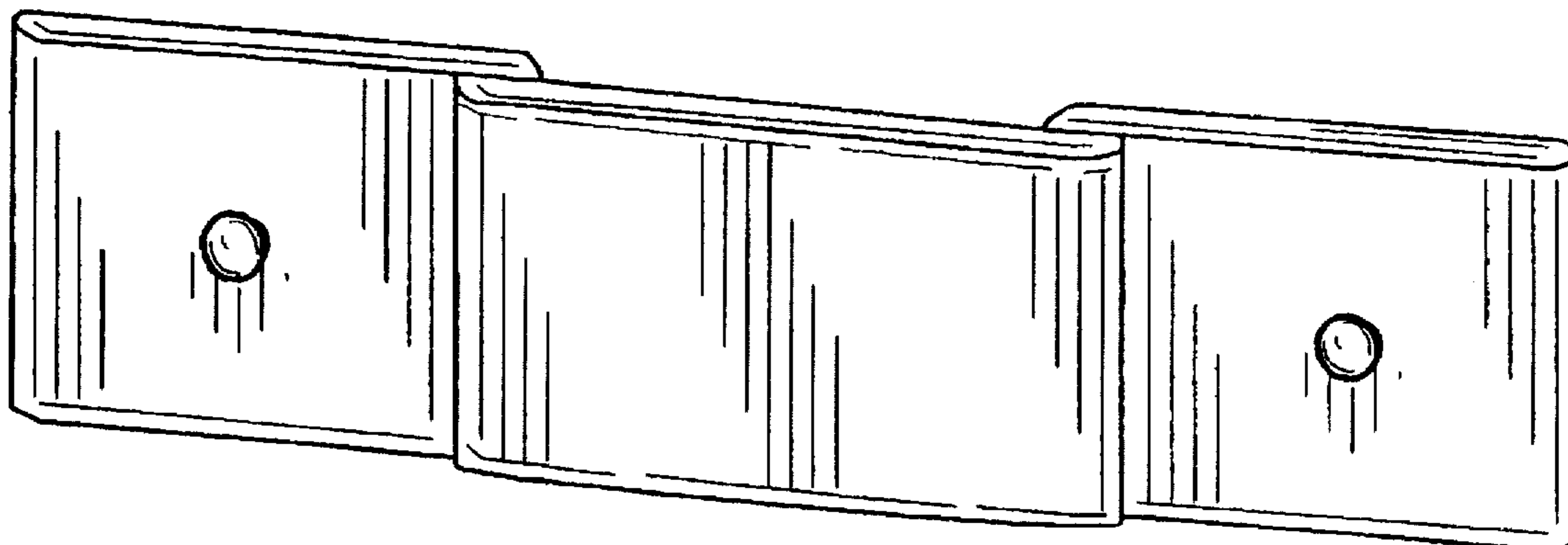


FIG - 1

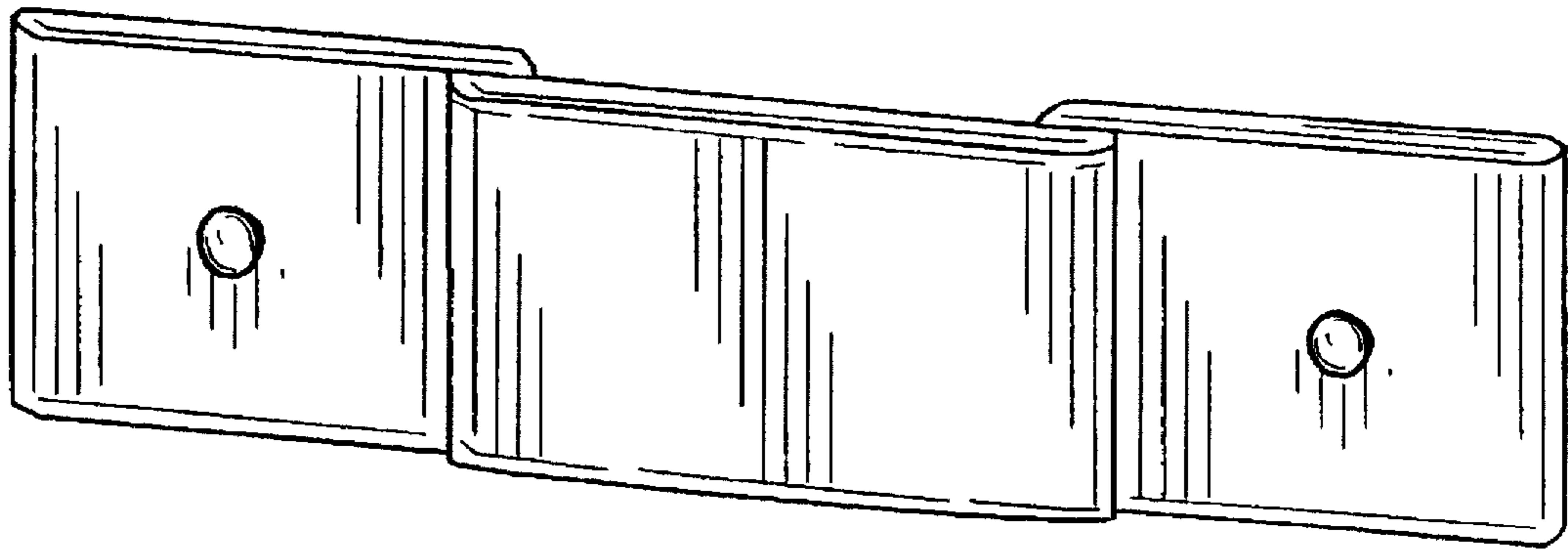


FIG - 2

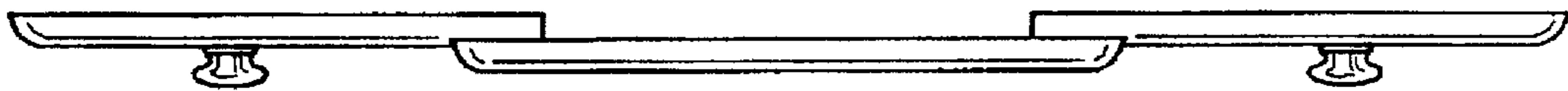


FIG - 3

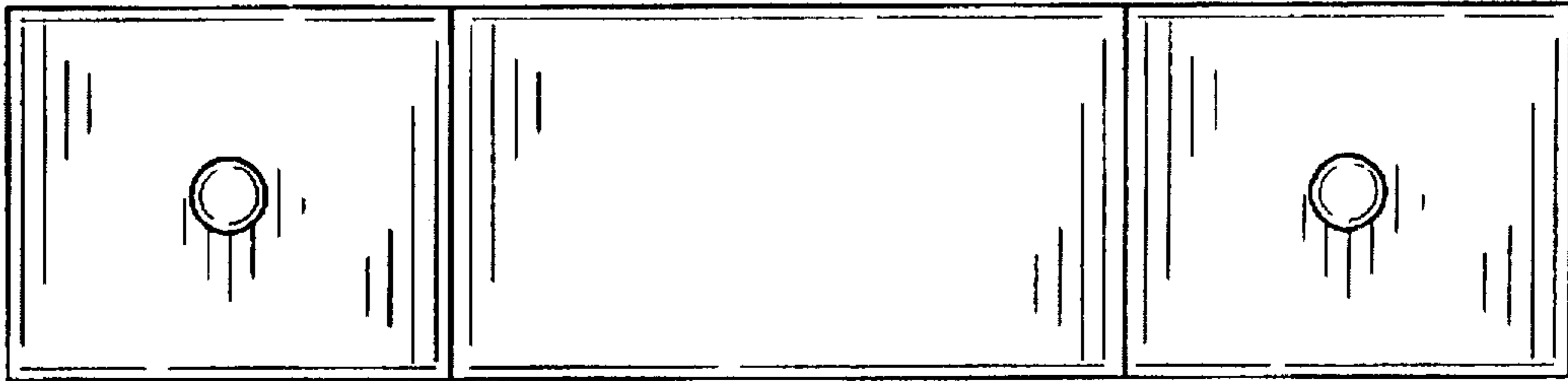


FIG - 4



FIG - 5

