



US00D385439S

United States Patent [19]

[11] Patent Number: **Des. 385,439**

Scherzer et al.

[45] Date of Patent: ****Oct. 28, 1997**

[54] **DISPLAY STAND**

3,434,769 3/1969 Salet 312/114 X
3,466,777 9/1969 Wistrand et al. 40/605

[75] Inventors: **Robert K. Scherzer, Liverpool; Henry C. Orr, Syracuse, both of N.Y.**

Primary Examiner—James Gandy
Assistant Examiner—Linda Brooks
Attorney, Agent, or Firm—George R. McGuire

[73] Assignee: **The Croydon Co., Inc., Liverpool, N.Y.**

[57] **CLAIM**

[**] Term: **14 Years**

The ornamental design for display stand, as shown and described.

[21] Appl. No.: **61,292**

DESCRIPTION

[22] Filed: **Oct. 21, 1996**

[51] LOC (6) Cl. **20-02**

FIG. 1 is a perspective view of the display stand;

[52] U.S. Cl. **D6/455**

FIG. 2 is a top plan view thereof;

[58] Field of Search D6/454, 455, 457,
D6/469; 312/114, 117; 2248/174; 211/175,
169, 198; 40/605-607, 611, 585, 584; 160/132,
136, 137, 162, 164; D20/19, 21, 41

FIG. 3 is a front elevational view thereof, the rear view being essentially a mirror image thereof;

FIG. 4 is a side elevational view thereof, the other side being essentially a mirror image thereof; and,

FIG. 5 is a perspective view of the display stand, the only difference between this view and FIG. 1 being the absence of a display tower in the central frame.

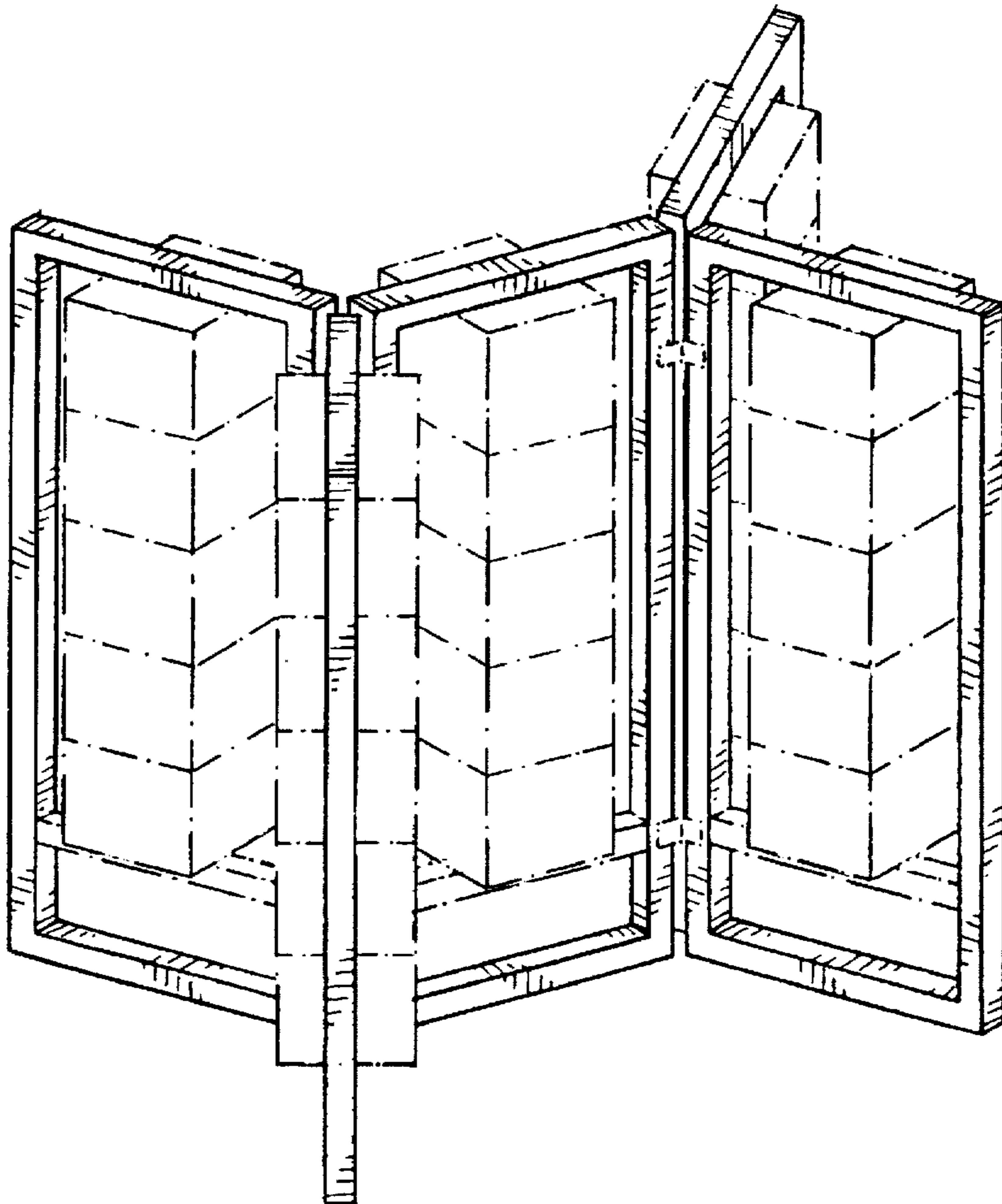
[56] **References Cited**

U.S. PATENT DOCUMENTS

D. 211,546	6/1968	Reibold et al.	D6/455
D. 332,534	1/1993	Alford	D6/469
1,951,325	3/1934	Brett	40/584
2,920,761	1/1960	Halip	211/175

The broken line illustration of five display towers and hinges in FIGS. 1 through 5 is for illustrative purposes only and forms no part of the claimed design.

1 Claim, 3 Drawing Sheets



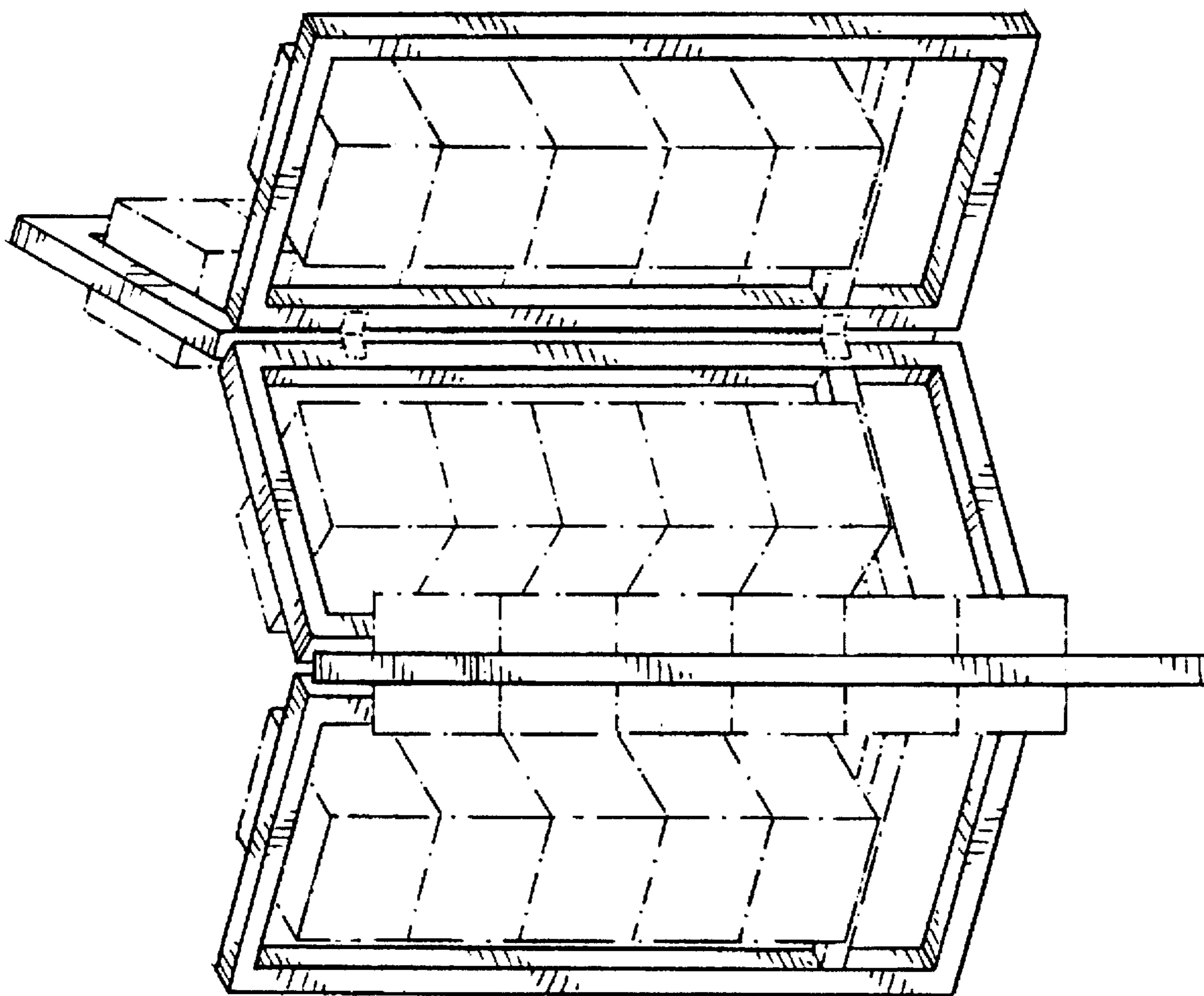


FIG. 1

FIG. 2

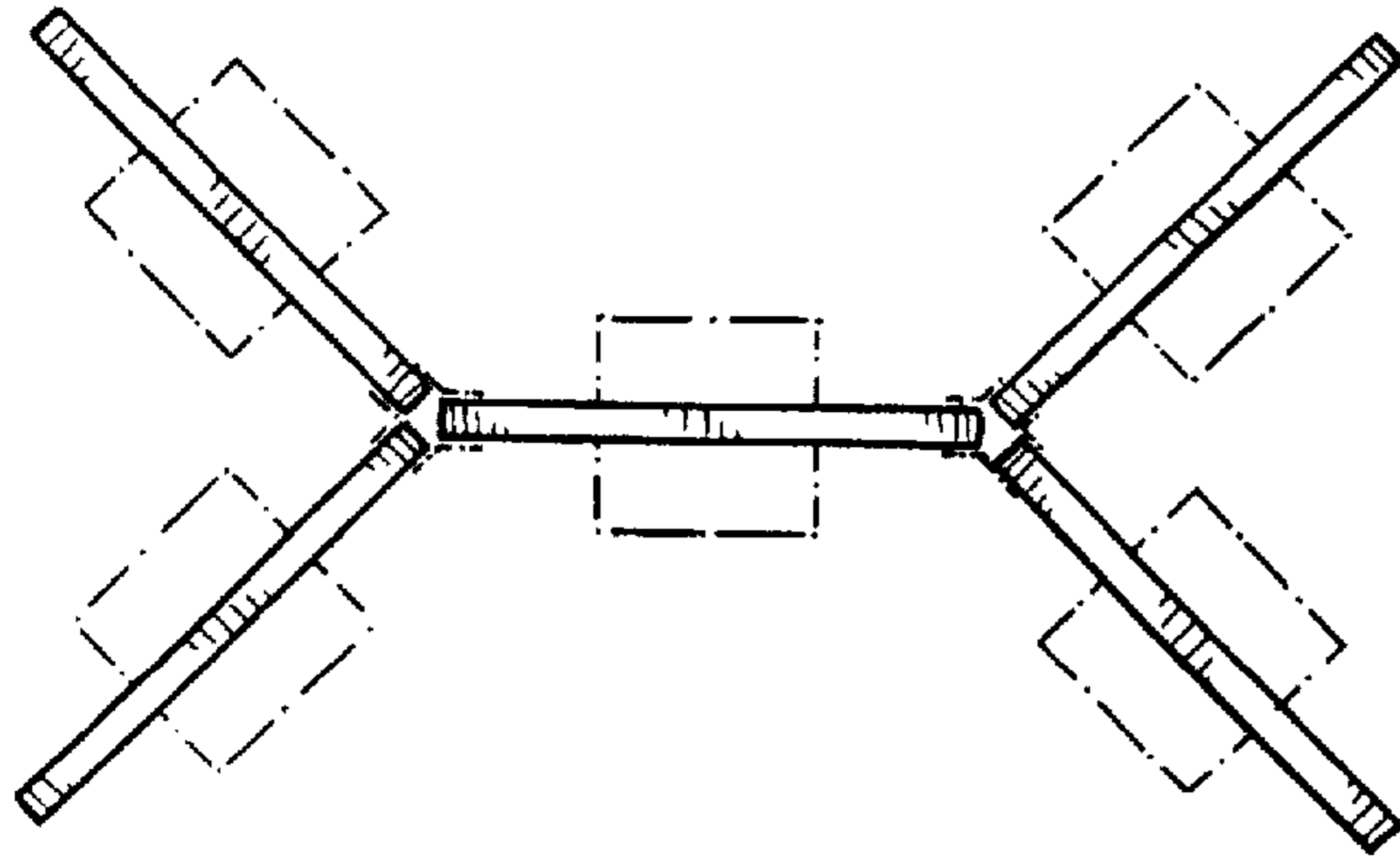


FIG. 3

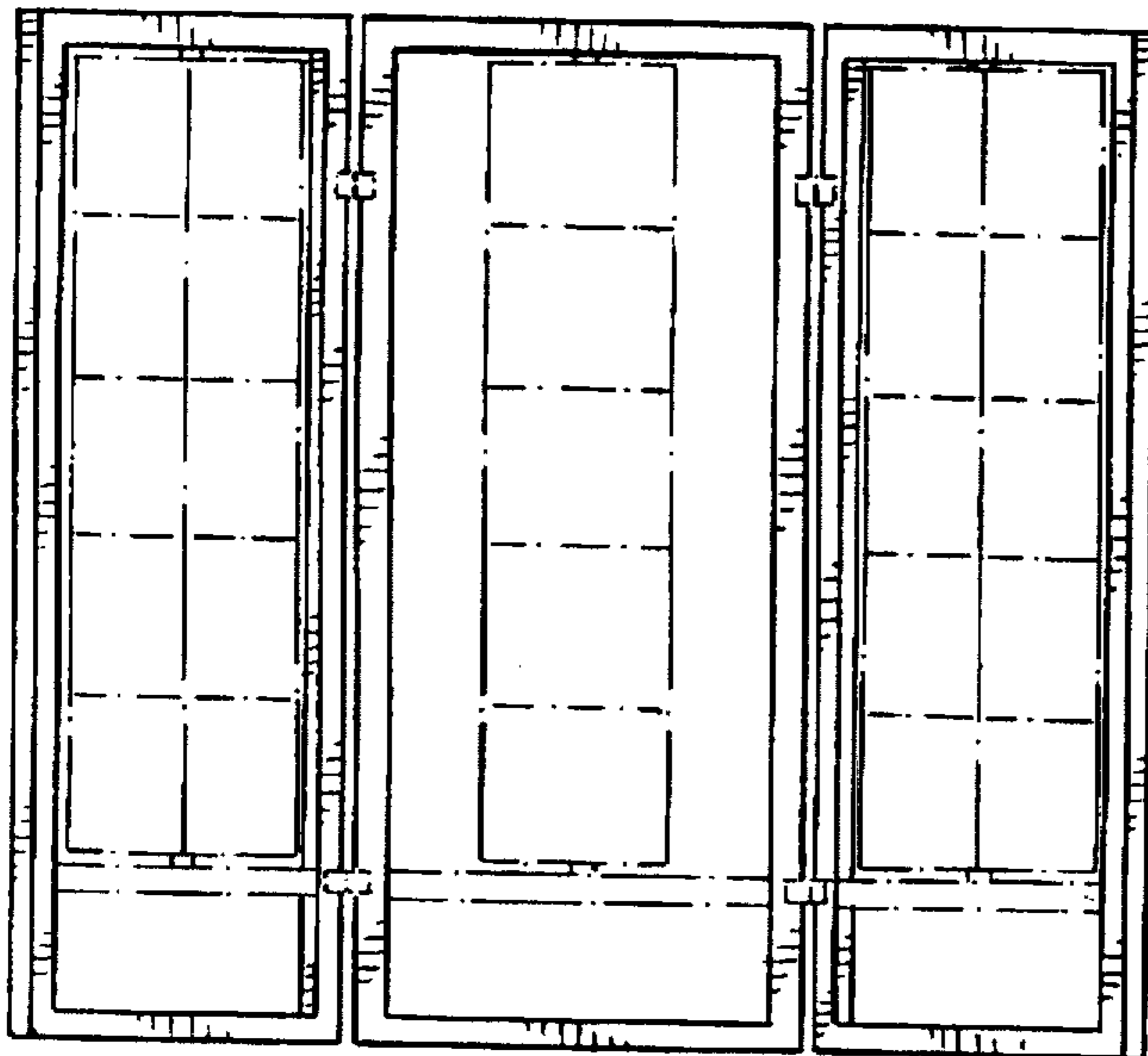
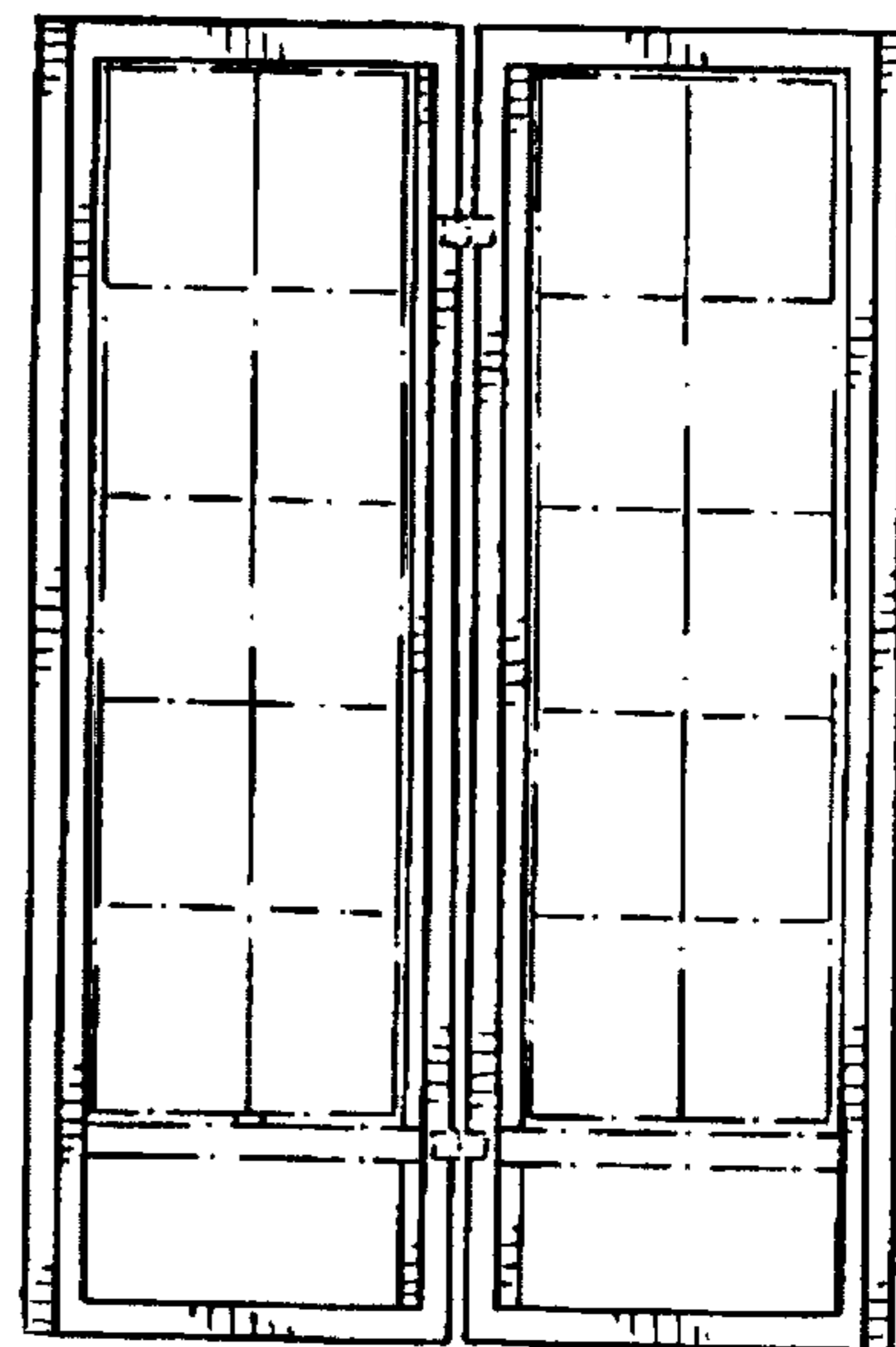


FIG. 4



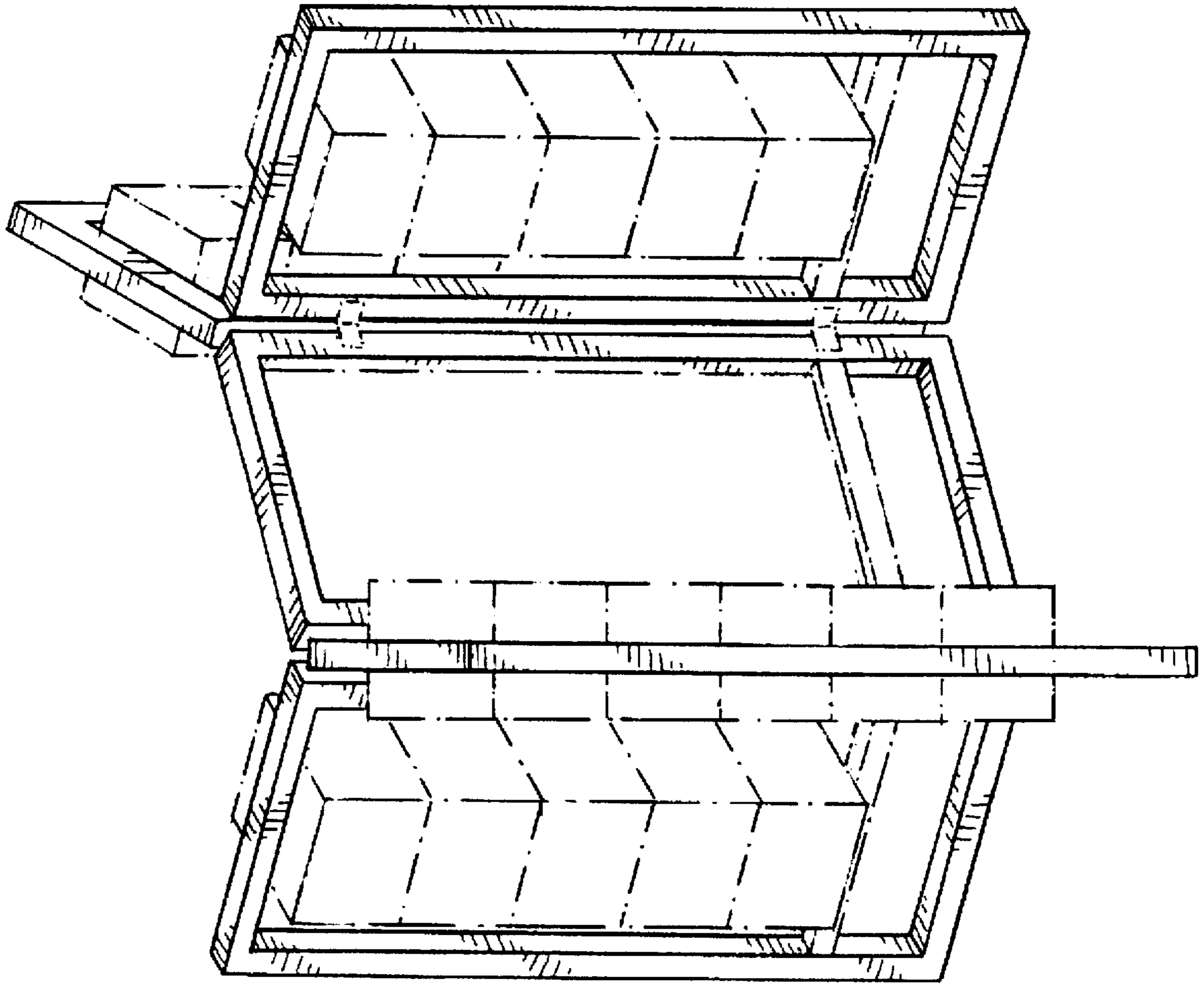


FIG. 5