



US00D385437S

United States Patent [19]

[11] Patent Number: **Des. 385,437**

Carbone, Sr.

[45] Date of Patent: ****Oct. 28, 1997**

[54] **SUPPORT STAND WITH ATTACHMENT DEVICE**

[76] Inventor: **Gerald Vincent Carbone, Sr.**, 49
Princeton Arms, South 1, Cranbury, N.J.
08512

[**] Term: **14 Years**

[21] Appl. No.: **39,377**

[22] Filed: **May 25, 1995**

[51] LOC (6) Cl. **20-02**

[52] U.S. Cl. **D6/449; D6/462**

[58] Field of Search D6/458, 465, 499,
D6/462, 486, 449, 495, 455; D11/131;
40/124, 497, 536, 606, 607, 608; 211/78,
163; D20/10, 41; 248/185.1, 371, 518,
519; 108/92, 149, 150; 428/542.4

[56] **References Cited**

U.S. PATENT DOCUMENTS

- D. 142,131 8/1945 Wemyss D6/449
- D. 194,466 1/1963 Johnson D11/131 X

- D. 235,040 5/1975 Wright D6/458
- D. 268,743 4/1983 Lubin D11/131
- D. 274,629 7/1984 Plumettaz D20/41 X
- D. 330,392 10/1992 Vazeille et al. D20/10
- 4,230,417 10/1980 Weiss D11/131 X
- 4,323,630 4/1982 Mackey et al. D11/131 X
- 5,171,060 12/1992 Kaye 108/150 X
- 5,480,036 1/1996 Opar 211/163 X

Primary Examiner—James Gandy
Assistant Examiner—Linda Brooks
Attorney, Agent, or Firm—Ezra Sutton

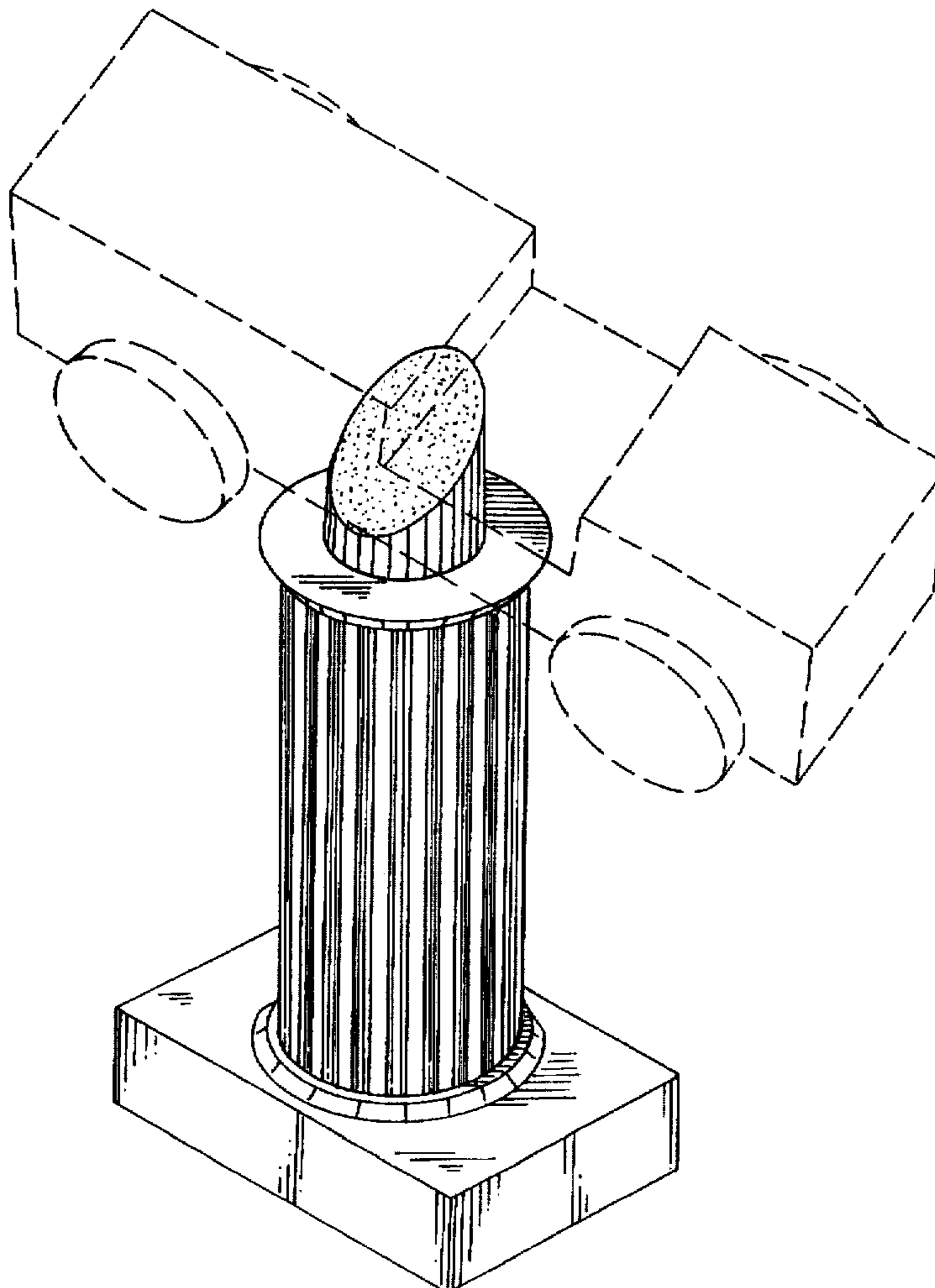
[57] **CLAIM**

The ornamental design for a support stand with attachment device, as shown and described.

DESCRIPTION

FIG. 1 is a top, front, and right side perspective view of a support stand with attachment device, with a broken line illustration being for illustrative purposes only and forming no part of the claimed design, it being understood that the left side view is a mirror image of the right side; and, FIG. 2 is a rear view thereof.

1 Claim, 2 Drawing Sheets



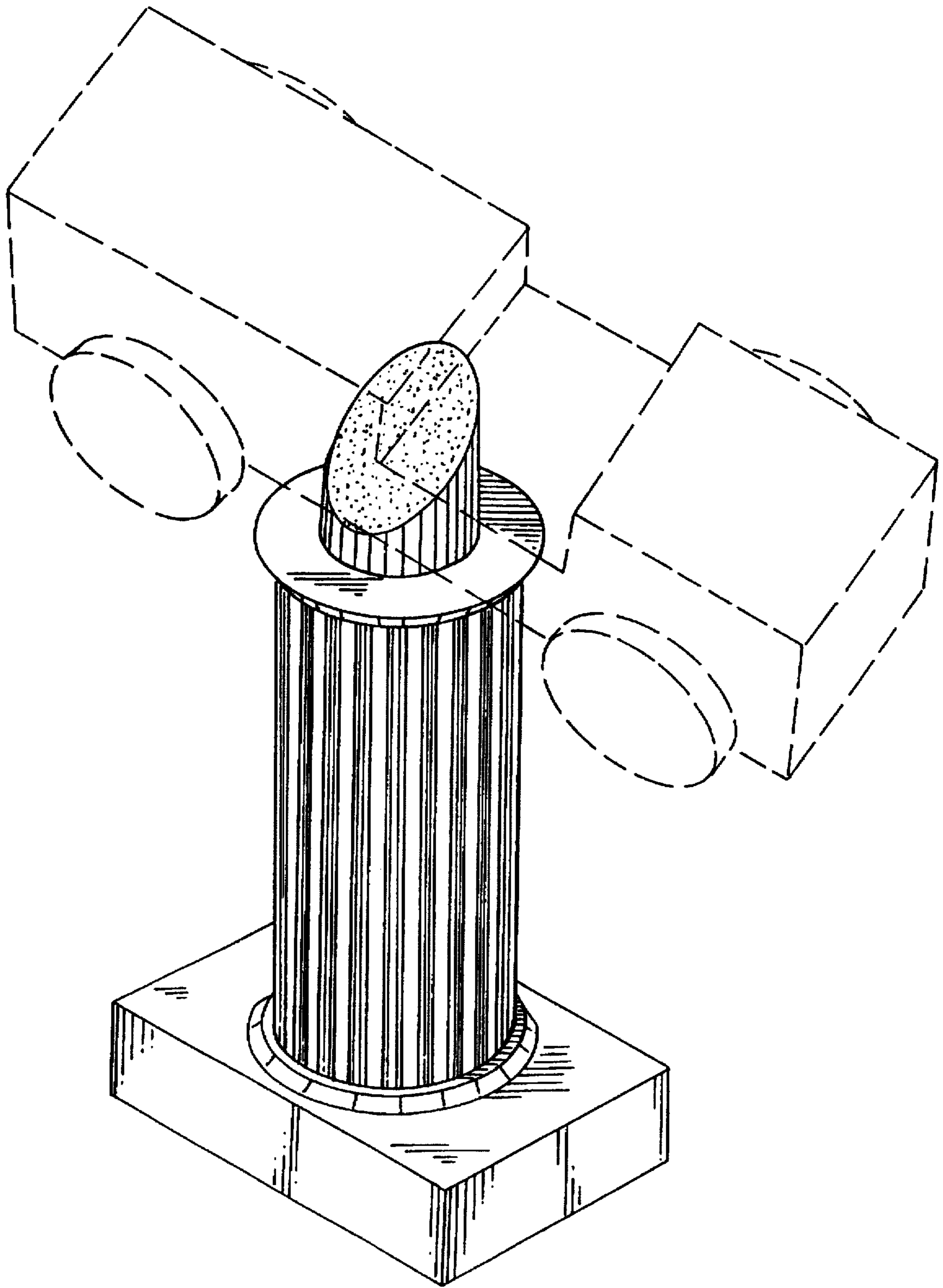


FIG. 1

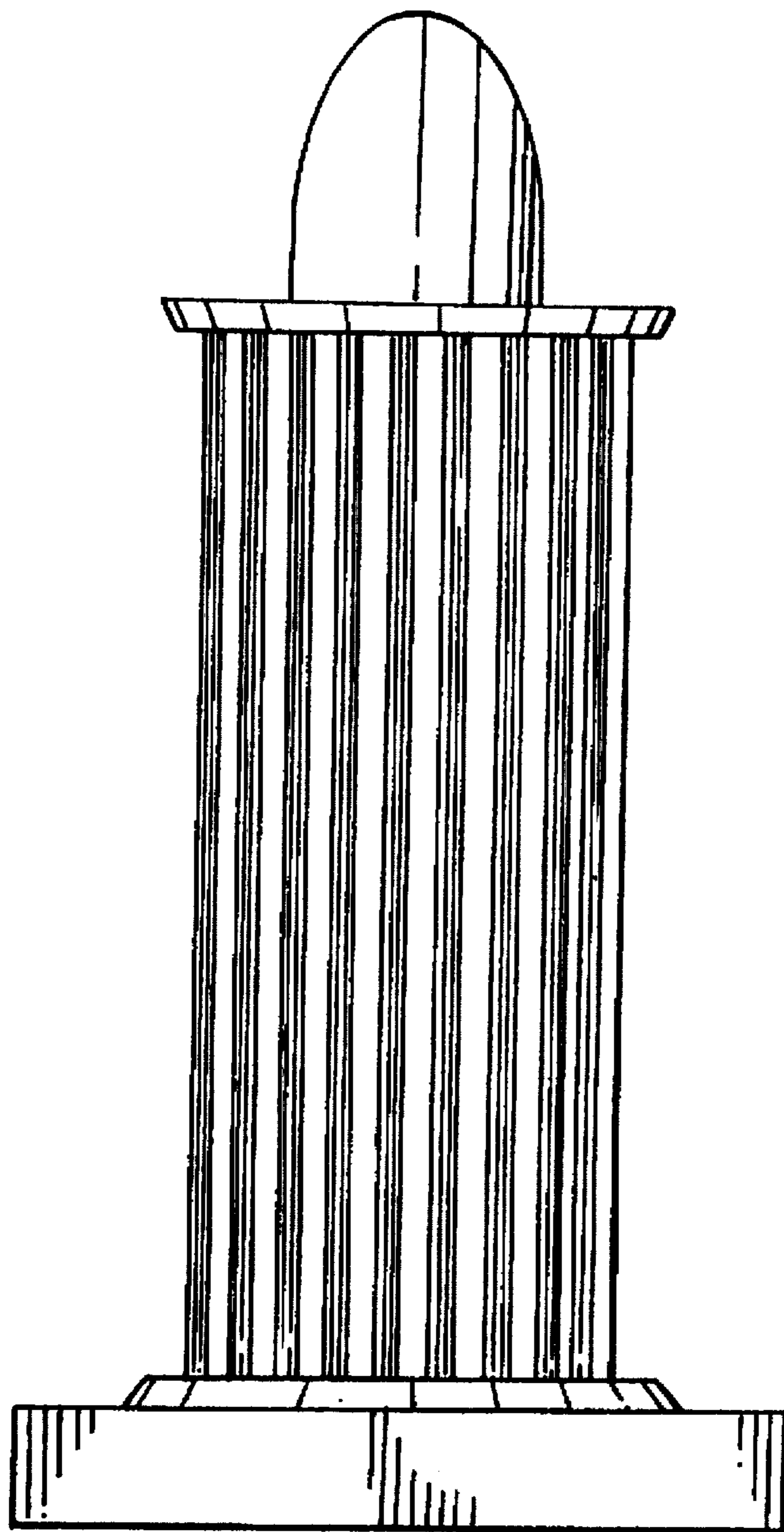


FIG. 2