



US00D385433S

United States Patent [19]

Baluk et al.

[11] Patent Number: **Des. 385,433**

[45] Date of Patent: ****Oct. 28, 1997**

[54] **BULK FOOD DISPLAY**

[76] Inventors: **Raymond Baluk; Freddie Chu**, both of 4620 W. 19th St., Chicago, Ill. 60650; **James Murray; George Mullinix**, both of 4120 Jersey Pike, Chatanooga, Tenn. 37421

[**] Term: **14 Years**

[21] Appl. No.: **51,608**

[22] Filed: **Mar. 11, 1996**

[51] LOC (6) Cl. **06-04**

[52] U.S. Cl. **D6/437; D6/476**

[58] Field of Search D6/432-448, 408, D6/474-476; D20/4; 312/278, 57.1, 71, 204

[56] **References Cited**

U.S. PATENT DOCUMENTS

D. 158,776 5/1950 Malkin D6/476 X

D. 165,798	1/1952	Shilin et al.	D6/437
D. 176,418	12/1955	Koval	D6/437
D. 198,611	7/1964	Brash	D6/437
D. 220,148	3/1971	Leath et al.	D6/437
D. 346,079	4/1994	Farber	D6/437

Primary Examiner—Carmen H. Vales-Lado
Attorney, Agent, or Firm—Miller & Martin

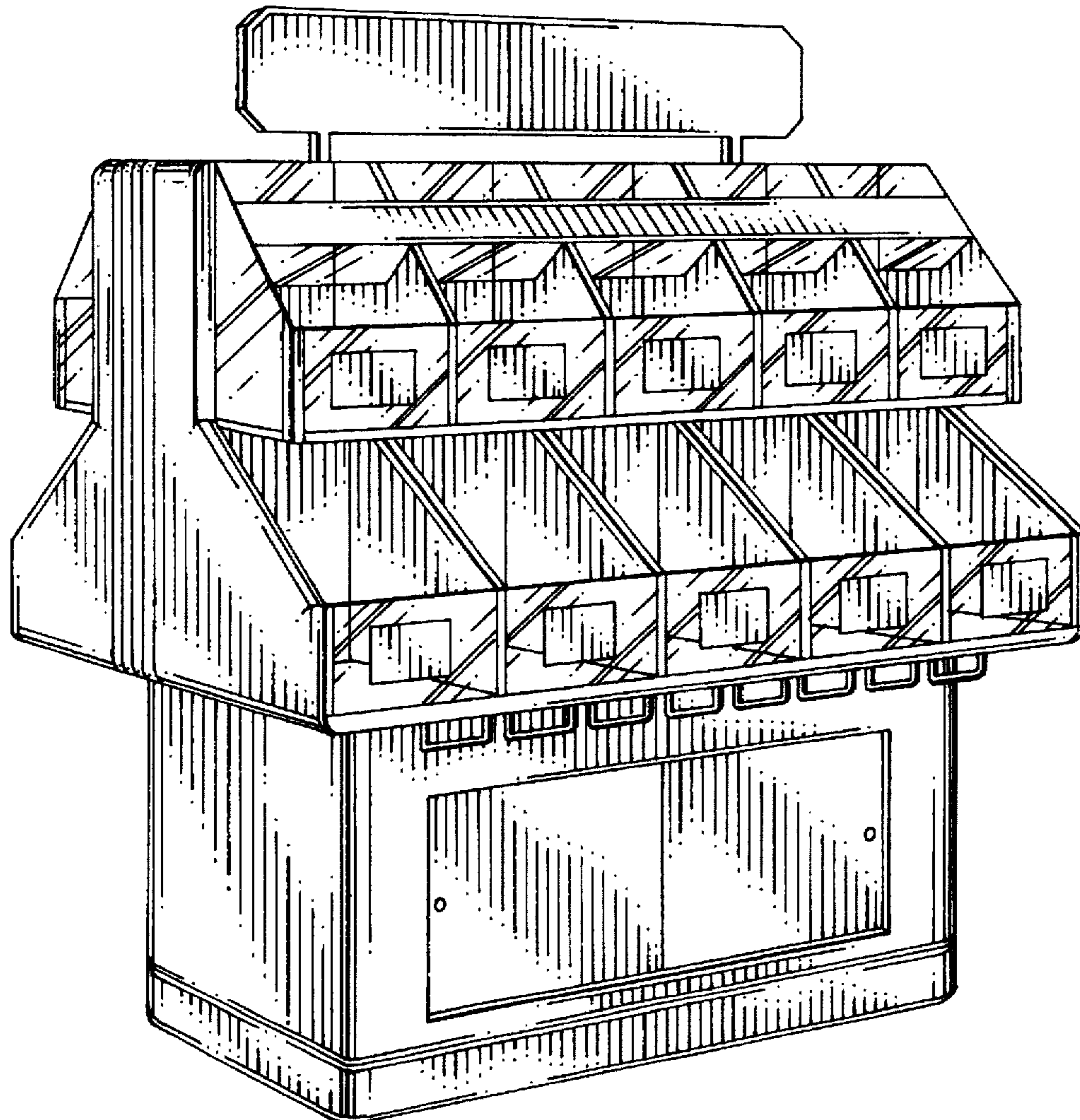
[57] **CLAIM**

The ornamental design for a bulk food display, as shown and described.

DESCRIPTION

FIG. 1 is a perspective view of a bulk food display showing our new design;
FIG. 2 is a side elevational view, the opposite side being identical thereto;
FIG. 3 is a front elevational view, the rear being identical thereto;
FIG. 4 is a top plan view thereof; and,
FIG. 5 is a reduced bottom plan view thereof.

1 Claim, 2 Drawing Sheets



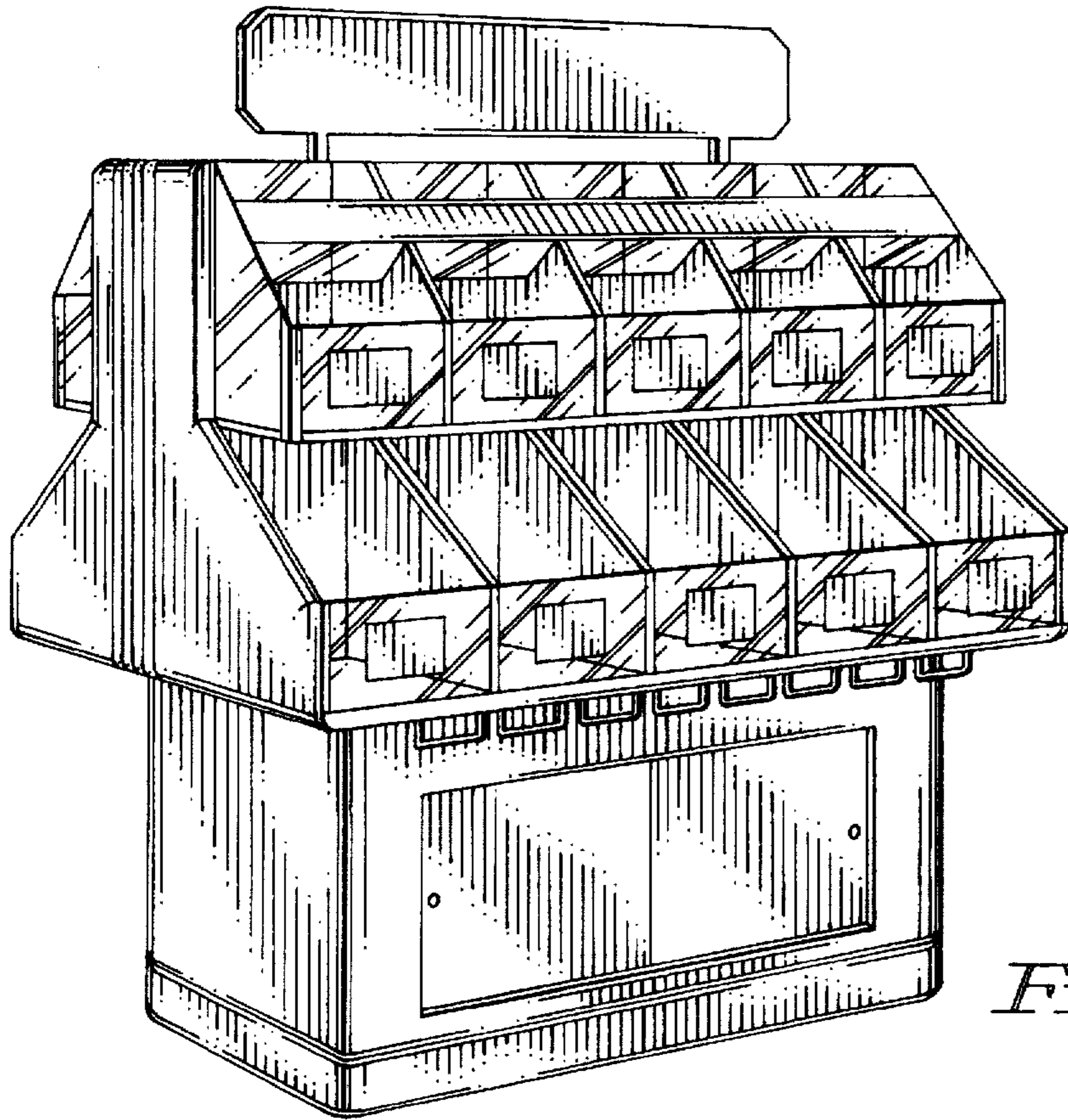


FIG. 1

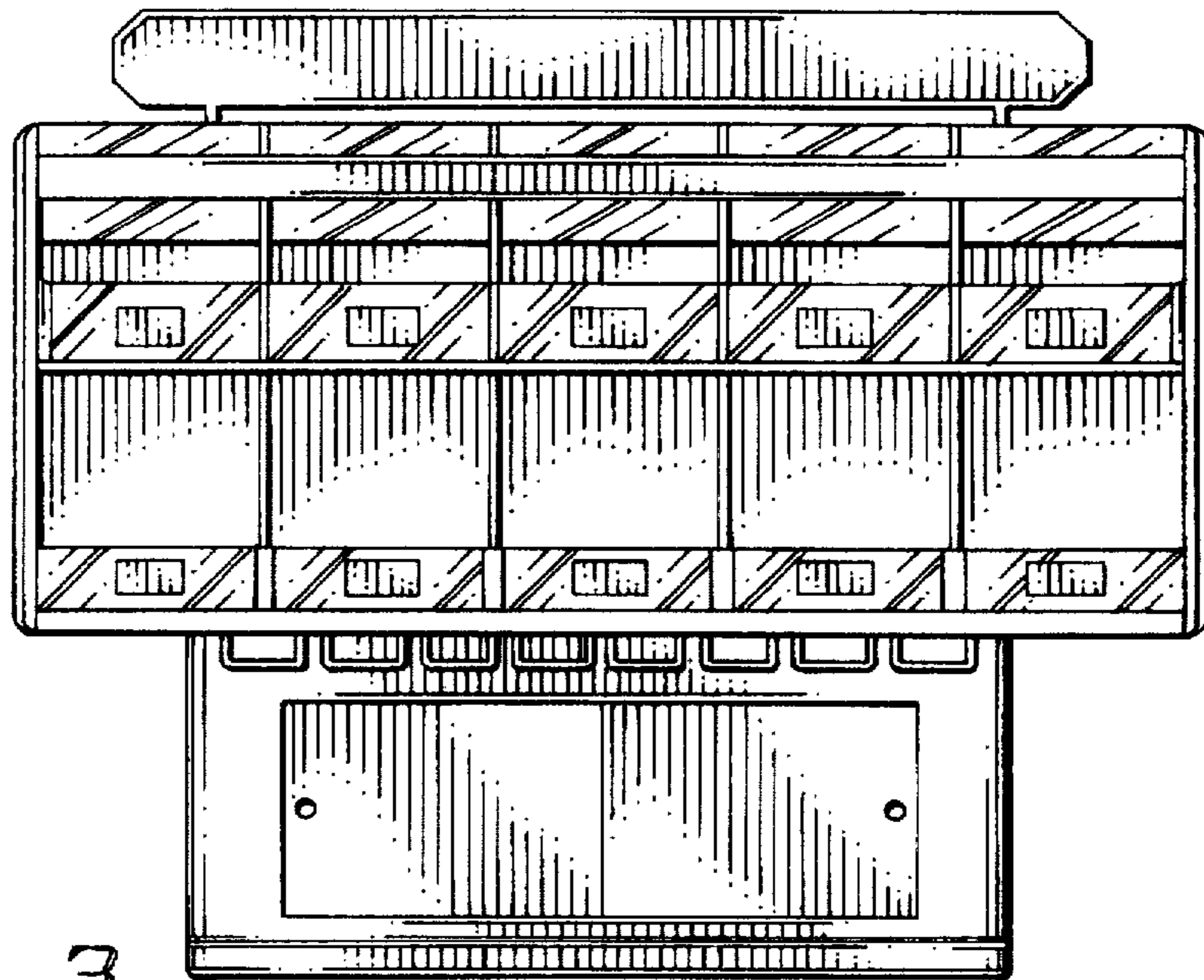


FIG. 3

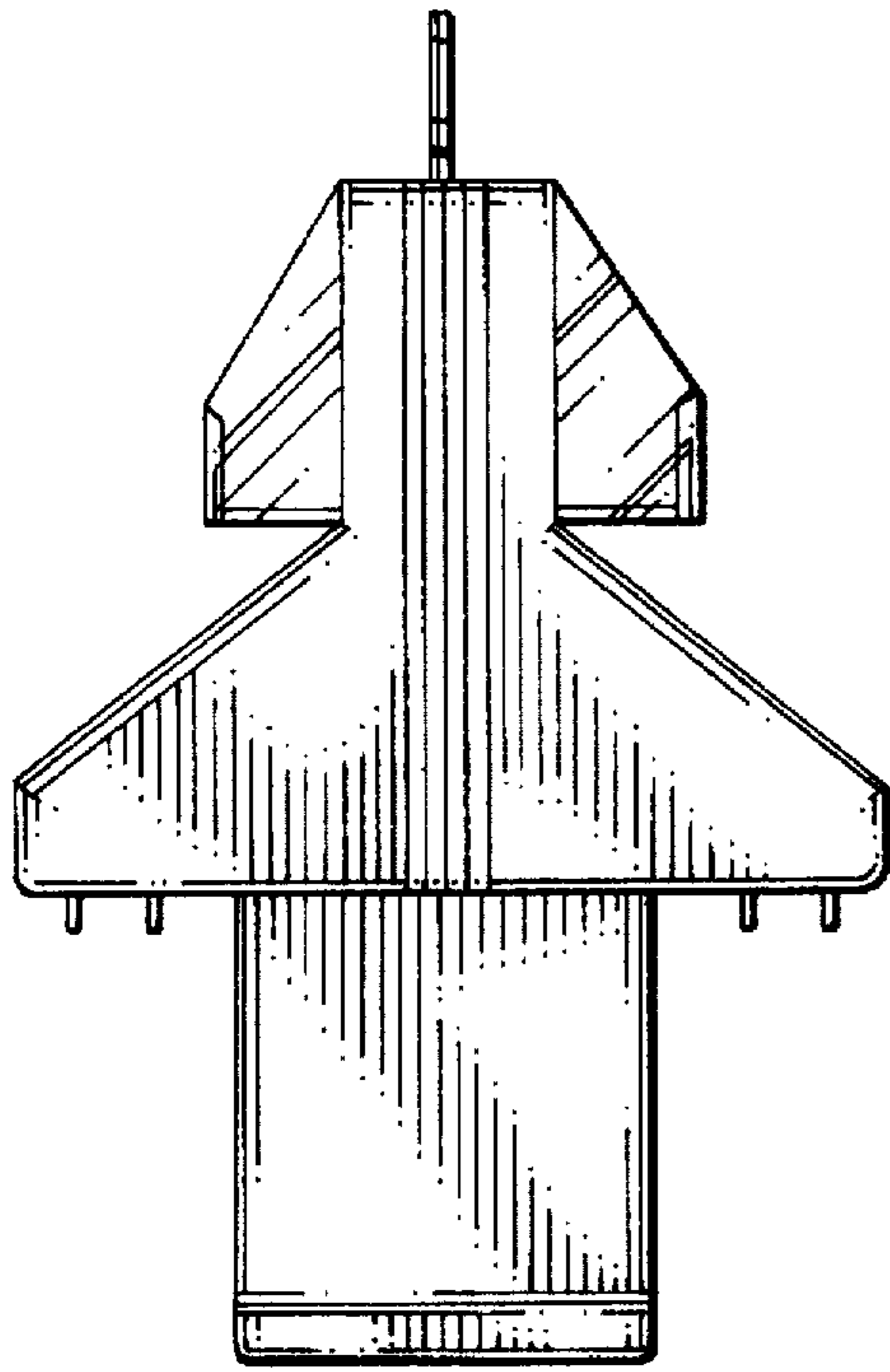


FIG. 2

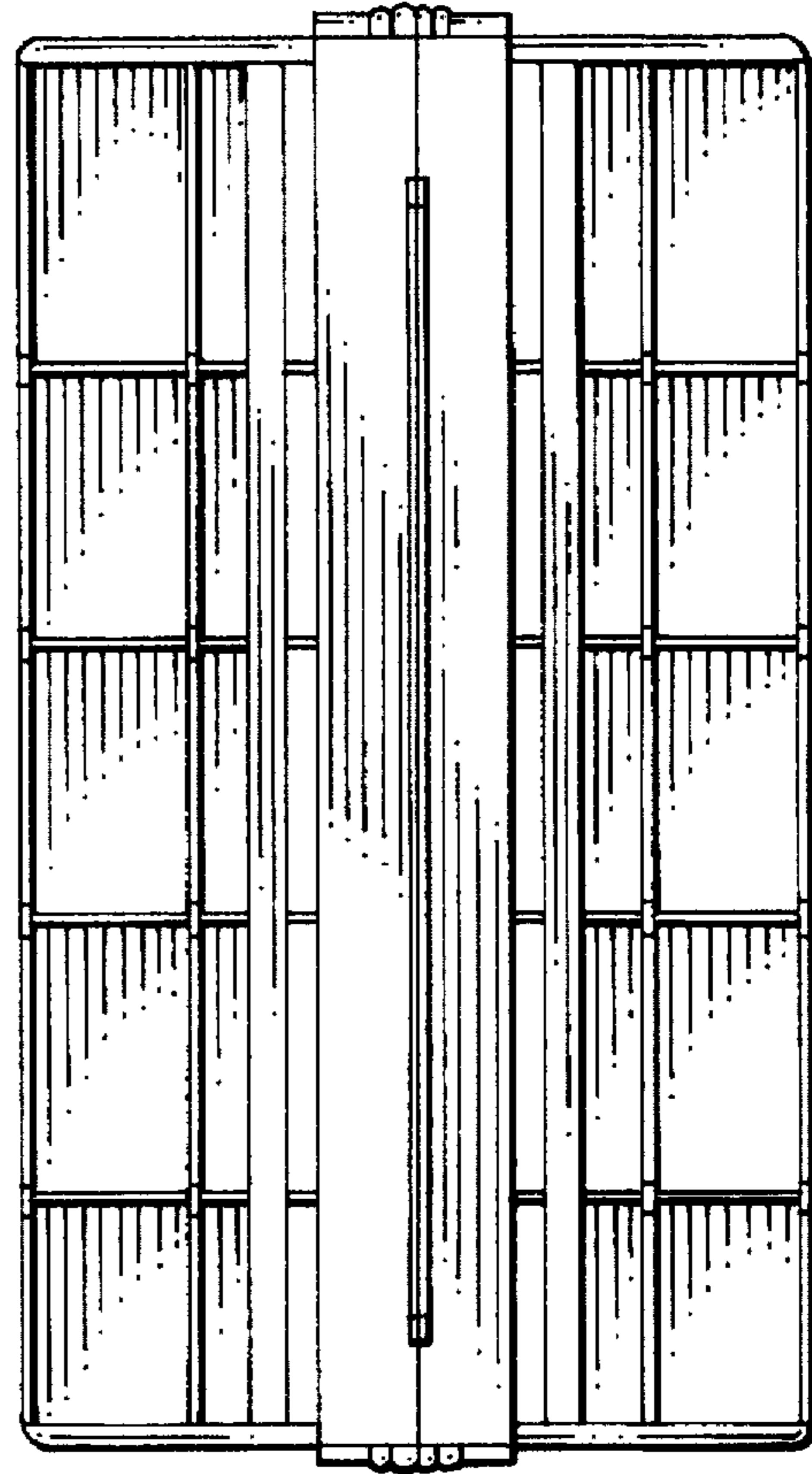


FIG. 4

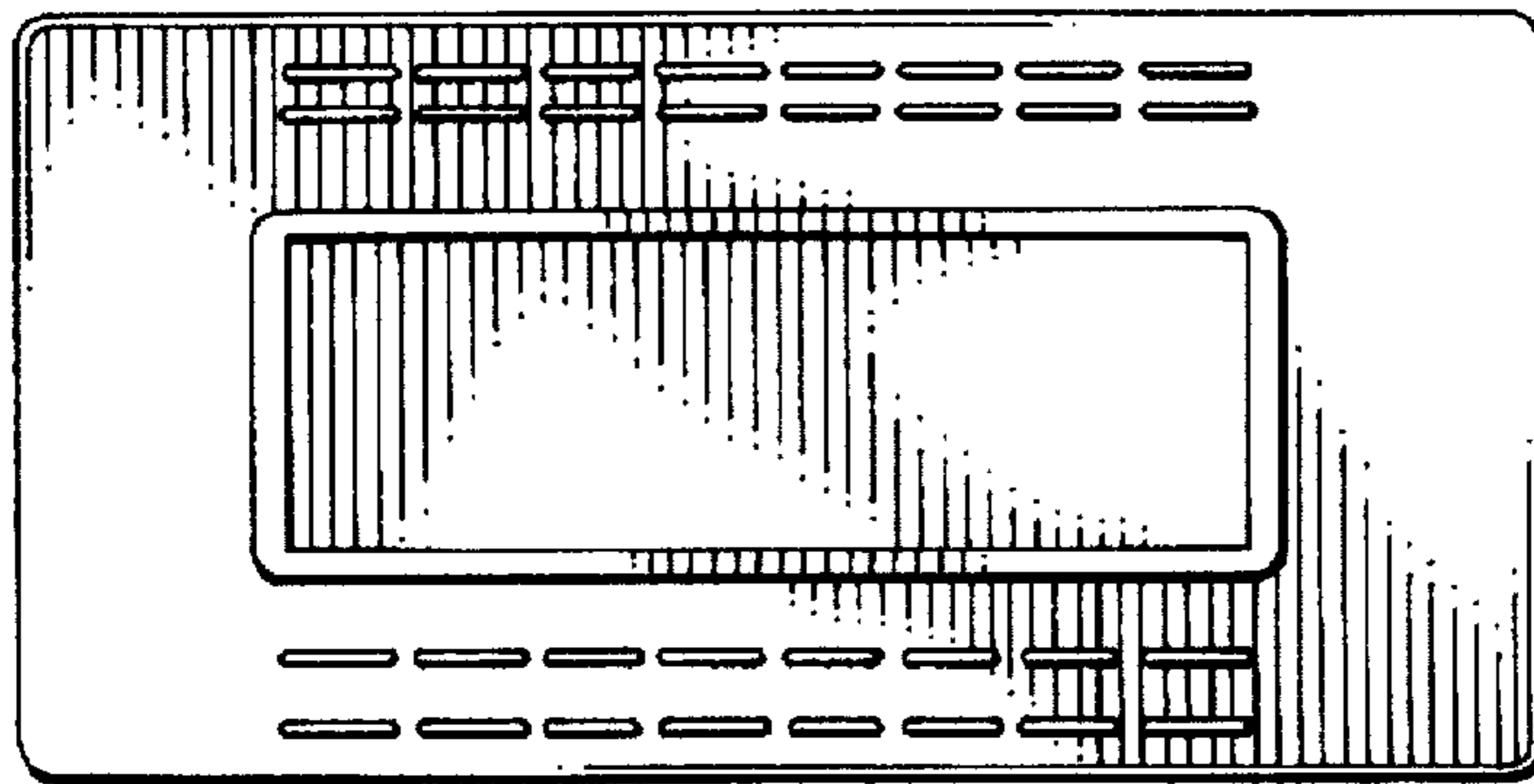


FIG. 5