



US00D385429S

United States Patent [19]

Biggel et al.

[11] Patent Number: **Des. 385,429**

[45] Date of Patent: ****Oct. 28, 1997**

[54] FOLDABLE WORKSTATION

4,478,467 10/1984 Tyndall 312/258 X
5,429,432 7/1995 Johnson 434/432 X

[76] Inventors: **Franz Biggel**, Koehlberg 1, D-88239 Wangen; **Burkhard Schmitz**, Neue Gasse 35, D-89077 Ulm, both of Germany

FOREIGN PATENT DOCUMENTS

694740 7/1953 United Kingdom 312/310

[**] Term: **14 Years**

Primary Examiner—Carmen H. Vales-Lado
Attorney, Agent, or Firm—Spencer & Frank

[21] Appl. No.: **45,051**

[57] CLAIM

[22] Filed: **Oct. 6, 1995**

The ornamental design for a foldable workstation, as shown and described.

[30] Foreign Application Priority Data

Apr. 10, 1995 [DE] Germany 95 03 275.4

DESCRIPTION

[51] LOC (6) Cl. **06-04**

[52] U.S. Cl. **D6/425; D6/430**

[58] Field of Search D6/421-431; 312/194-196, 312/257-259, 223.2, 223.3, 310, 313; 434/432, 307 R

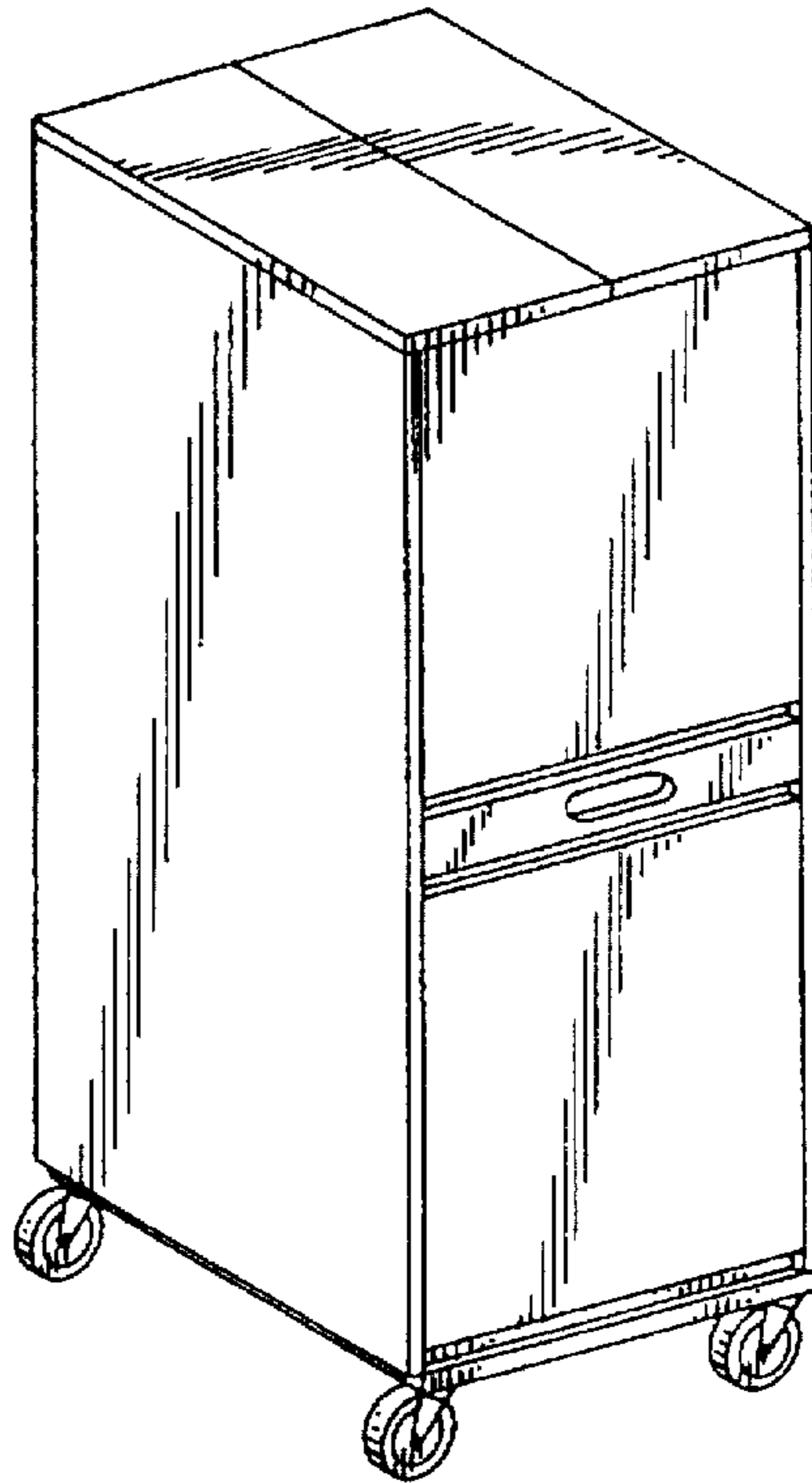
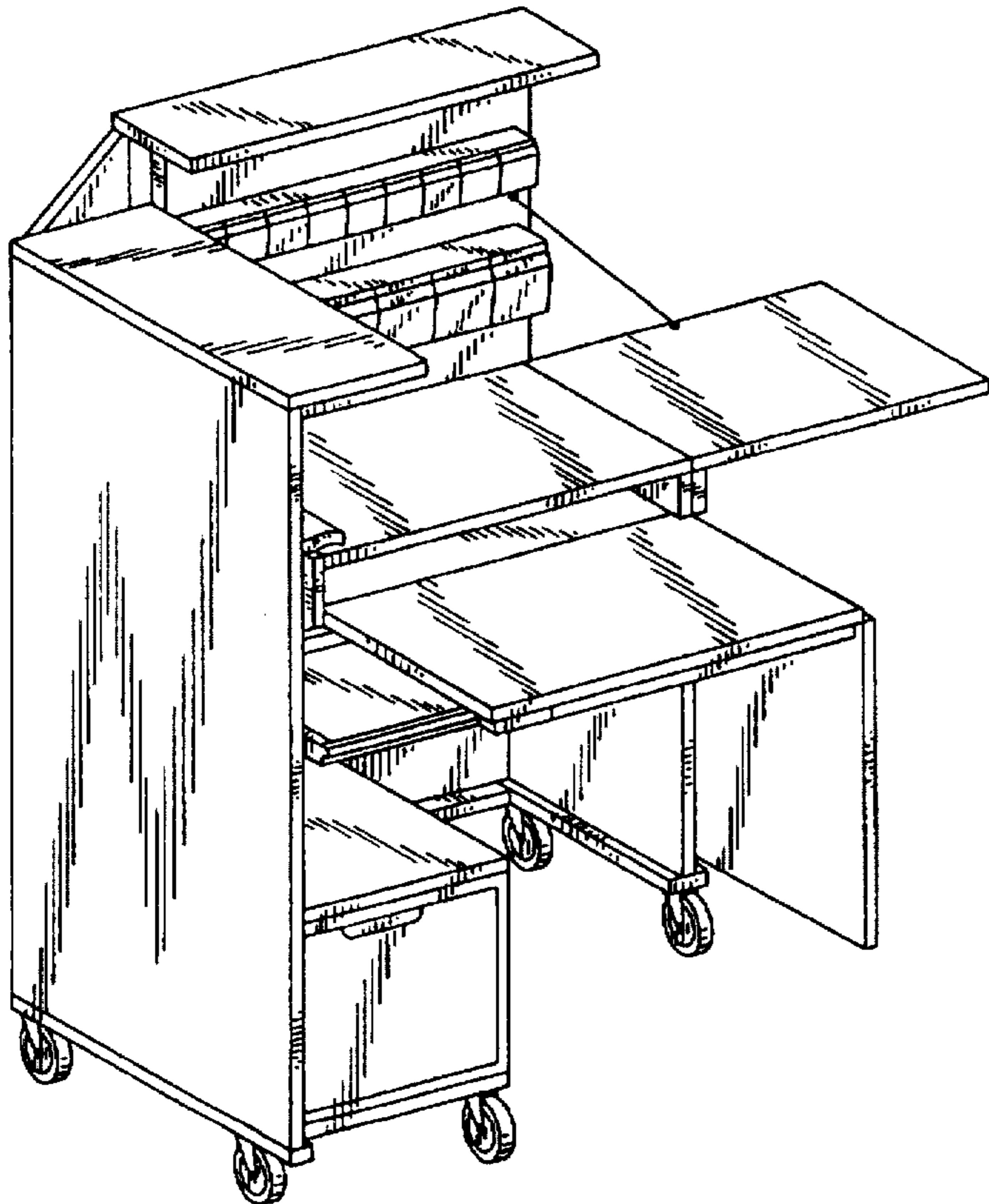
FIG. 1 is a perspective view of a foldable workstation showing our new design in open position;
FIG. 2 is a perspective view of a second alternate position of use;
FIG. 3 is a perspective view of a third alternate position of use;
FIG. 4 is a perspective view of a fourth alternate position of use;
FIG. 5 is a perspective view of a fifth alternate position of use; and,
FIG. 6 is a perspective view of the workstation in the folded position.

[56] References Cited

U.S. PATENT DOCUMENTS

D. 281,382 11/1985 Byrne et al. D6/429 X
D. 300,486 4/1989 Kaplan et al. D6/430
D. 366,783 2/1996 Madimenos et al. D6/429
2,692,812 10/1954 Stahl 312/310
3,078,133 2/1963 Schauer 312/223

1 Claim, 3 Drawing Sheets



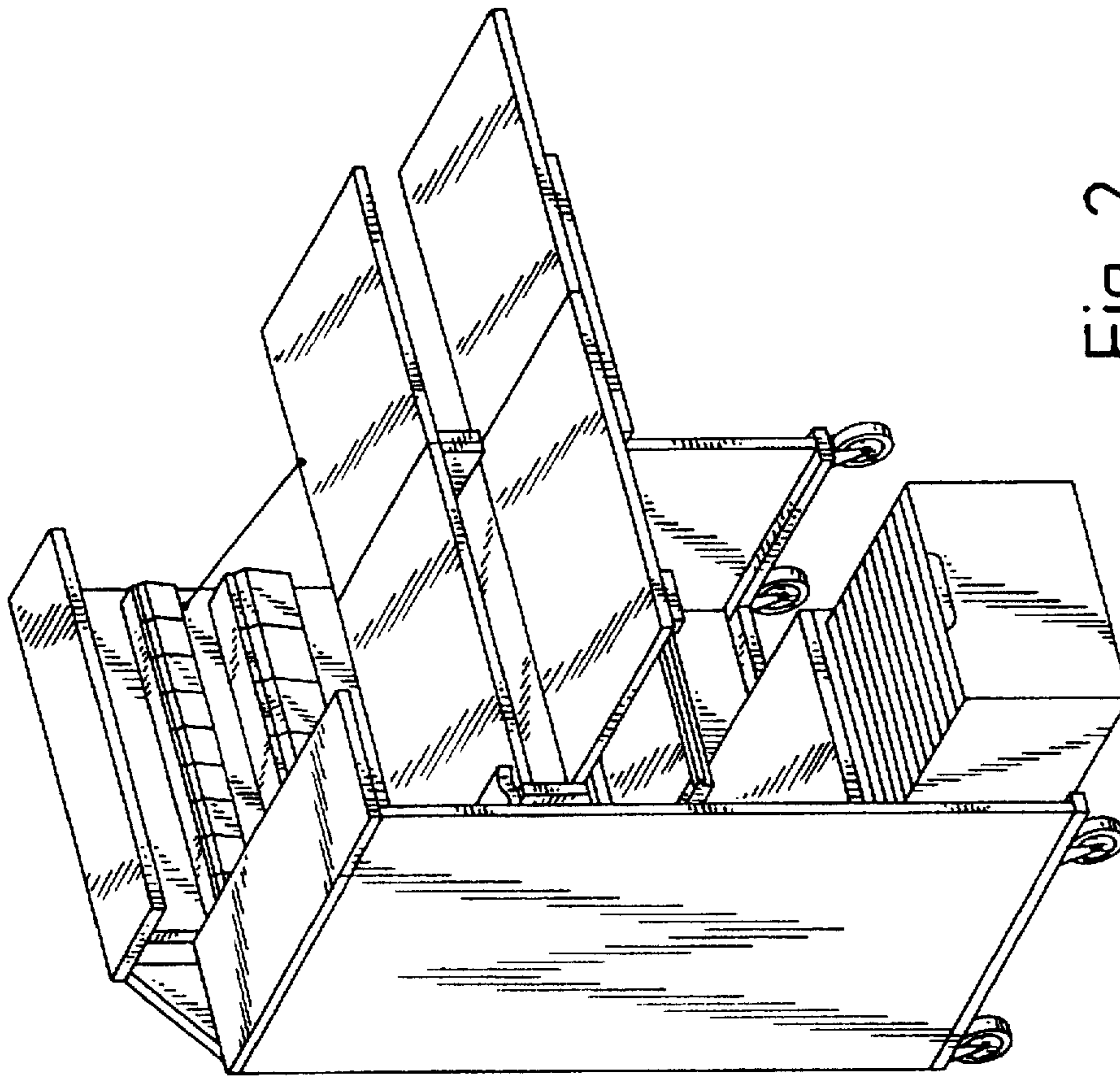


Fig. 2

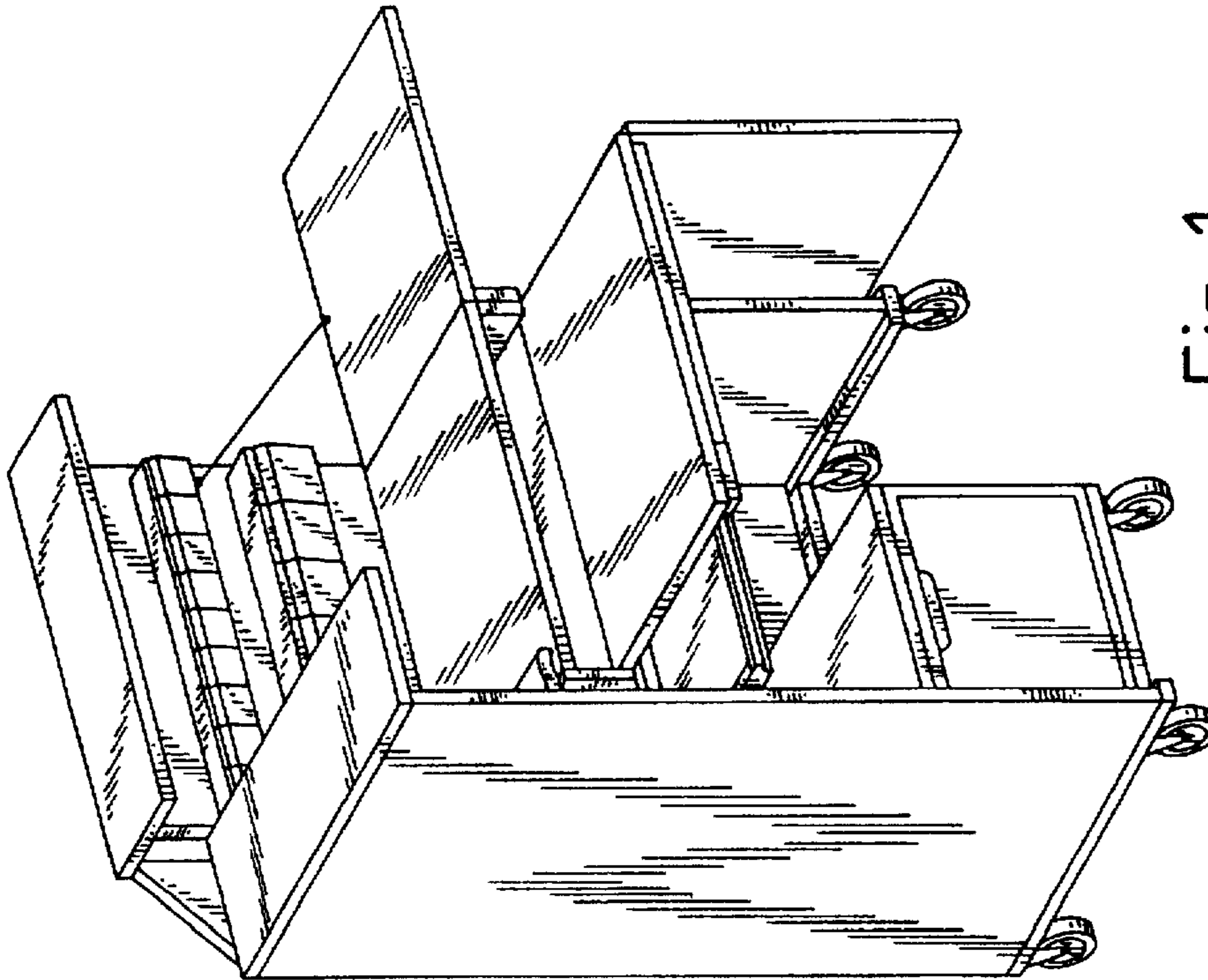


Fig. 1

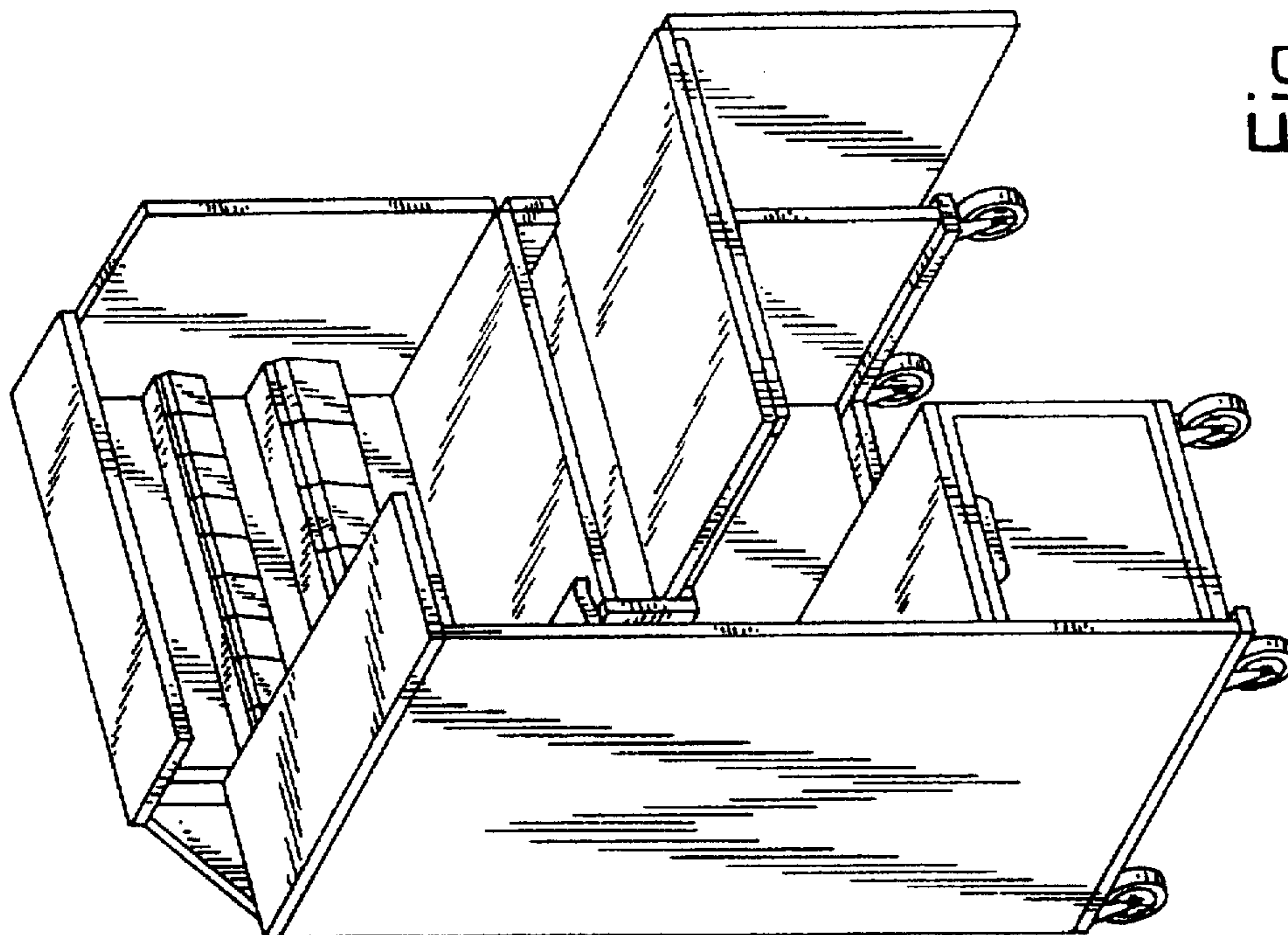


Fig. 4

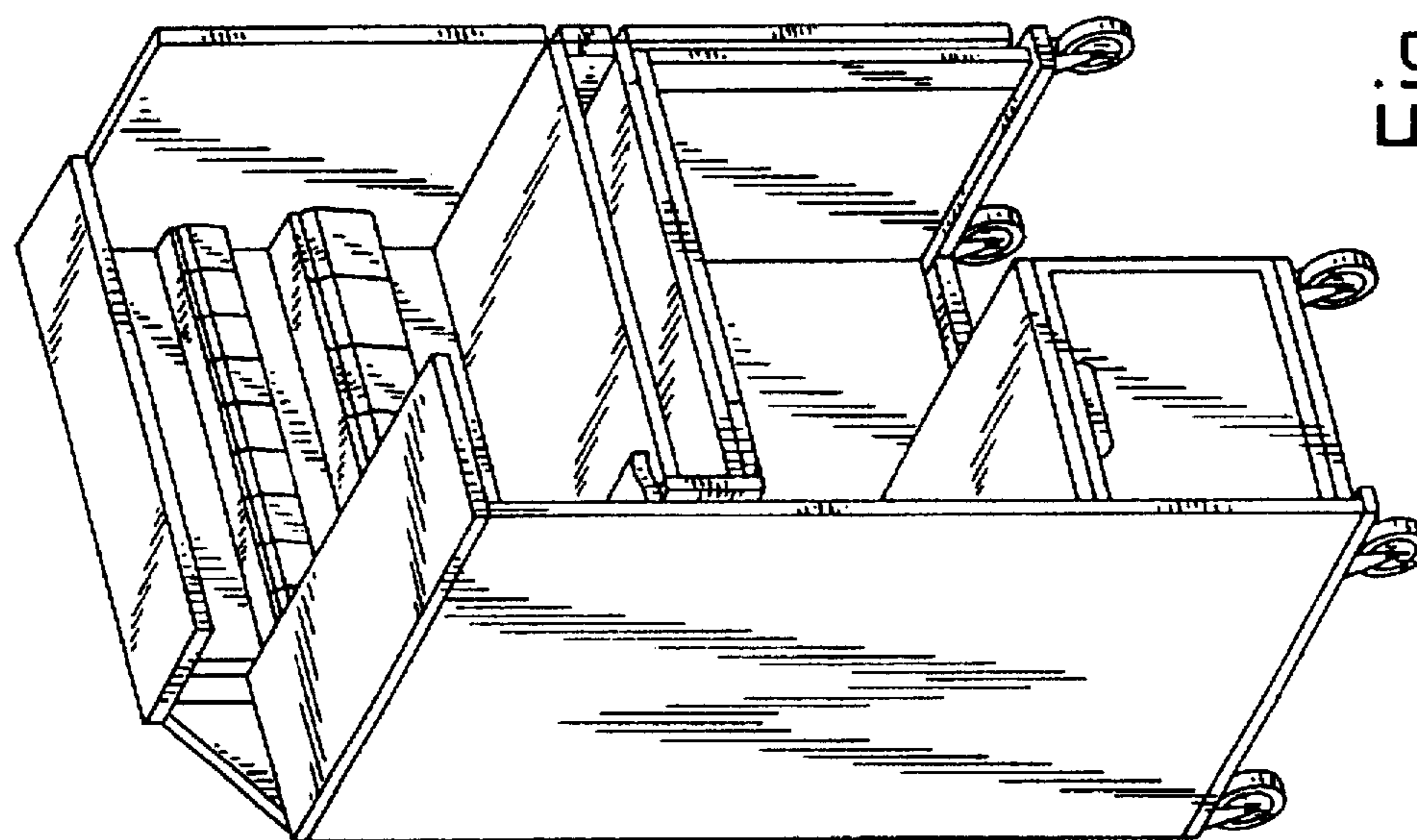


Fig. 3

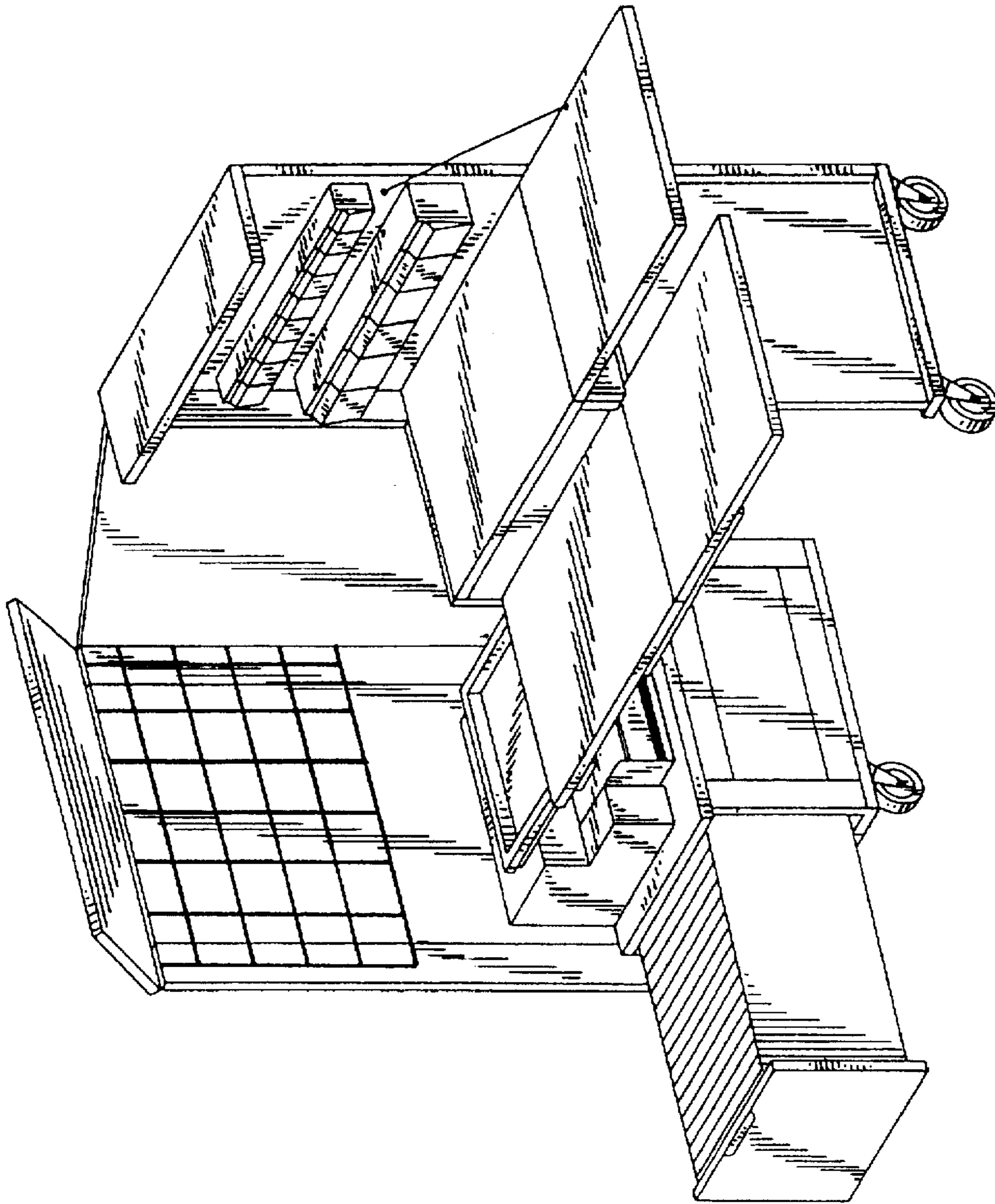


Fig. 5

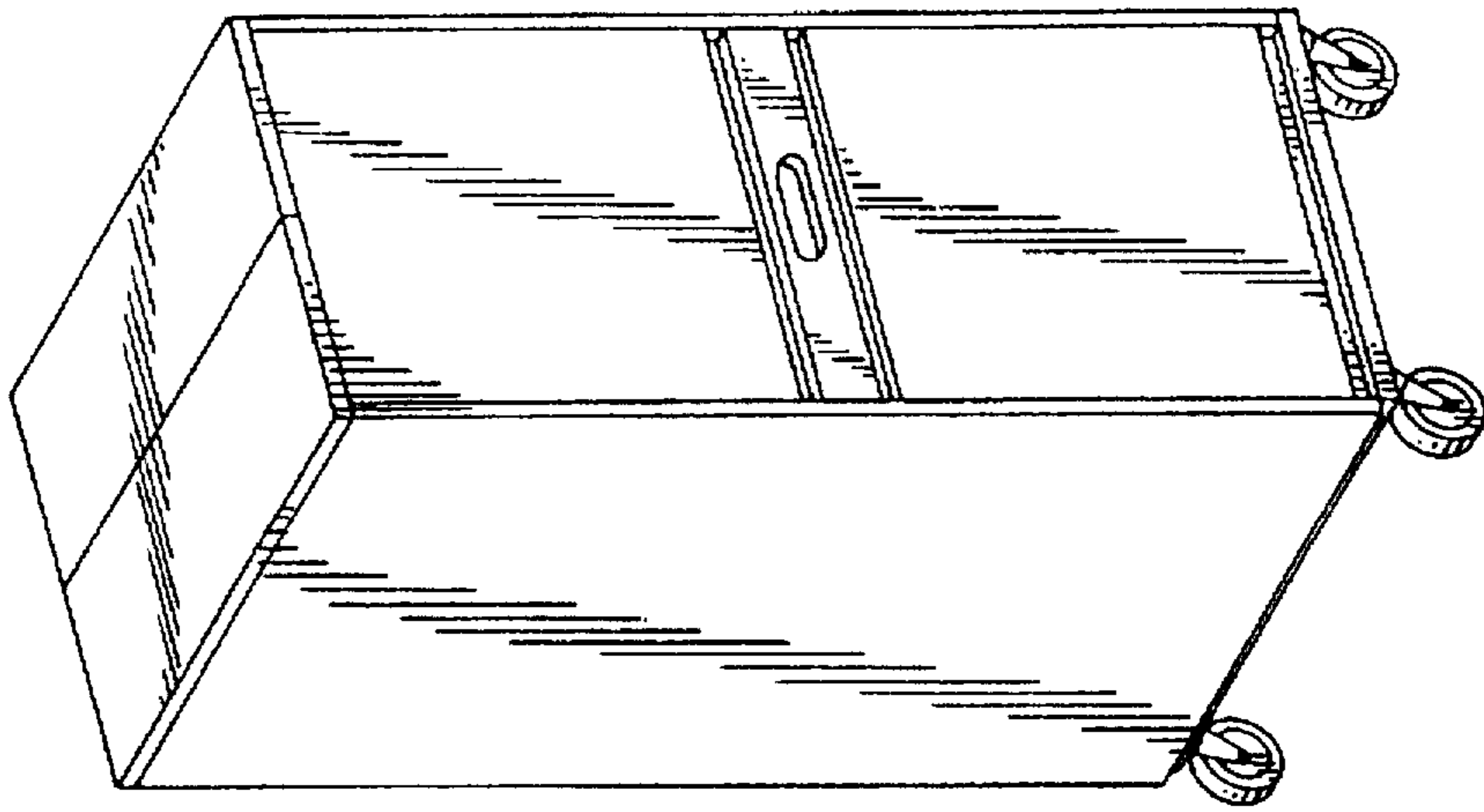


Fig. 6