



US00D385422S

United States Patent [19]

[11] Patent Number: **Des. 385,422**

Blazy

[45] Date of Patent: ****Oct. 28, 1997**

[54] **HALL MIRROR**

D. 304,985	12/1989	Raptis	D6/553
D. 324,959	3/1992	White	D6/300
481,333	8/1892	Reinfeld	40/745

[76] Inventor: **John Blazy**, P.O. Box 364, Hiram, Ohio 44234

[**] Term: **14 Years**

Primary Examiner—Janice E. Seeger

[21] Appl. No.: **59,760**

[57] **CLAIM**

[22] Filed: **Sep. 16, 1996**

The ornamental design for a hall mirror, as shown.

[51] LOC (6) Cl. **06-07**

DESCRIPTION

[52] U.S. Cl. **D6/300**

FIG. 1 is a perspective view of the inventive hall mirror;
 FIG. 2 is a top view of the inventive hall mirror;
 FIG. 3 is a front view of the inventive hall mirror;
 FIG. 4 is a left side view of the inventive hall mirror; and,
 FIG. 5 is a rear view of the inventive hall mirror.

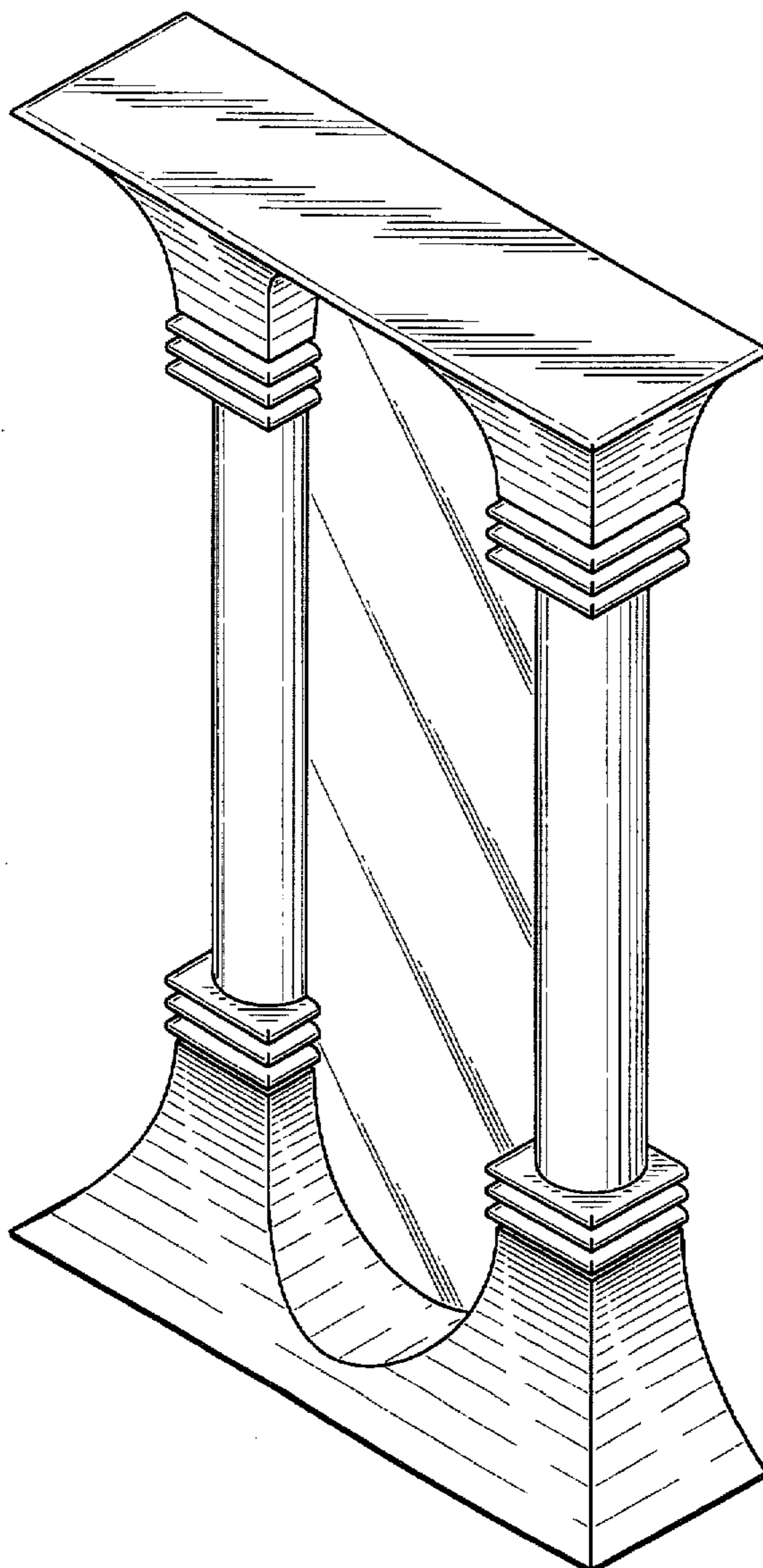
[58] **Field of Search** D6/300-303, 309-314;
40/700, 718, 739, 765, 780, 781, 786, 789,
798

[56] **References Cited**

U.S. PATENT DOCUMENTS

D. 90,370 7/1933 McClure D6/444

1 Claim, 3 Drawing Sheets



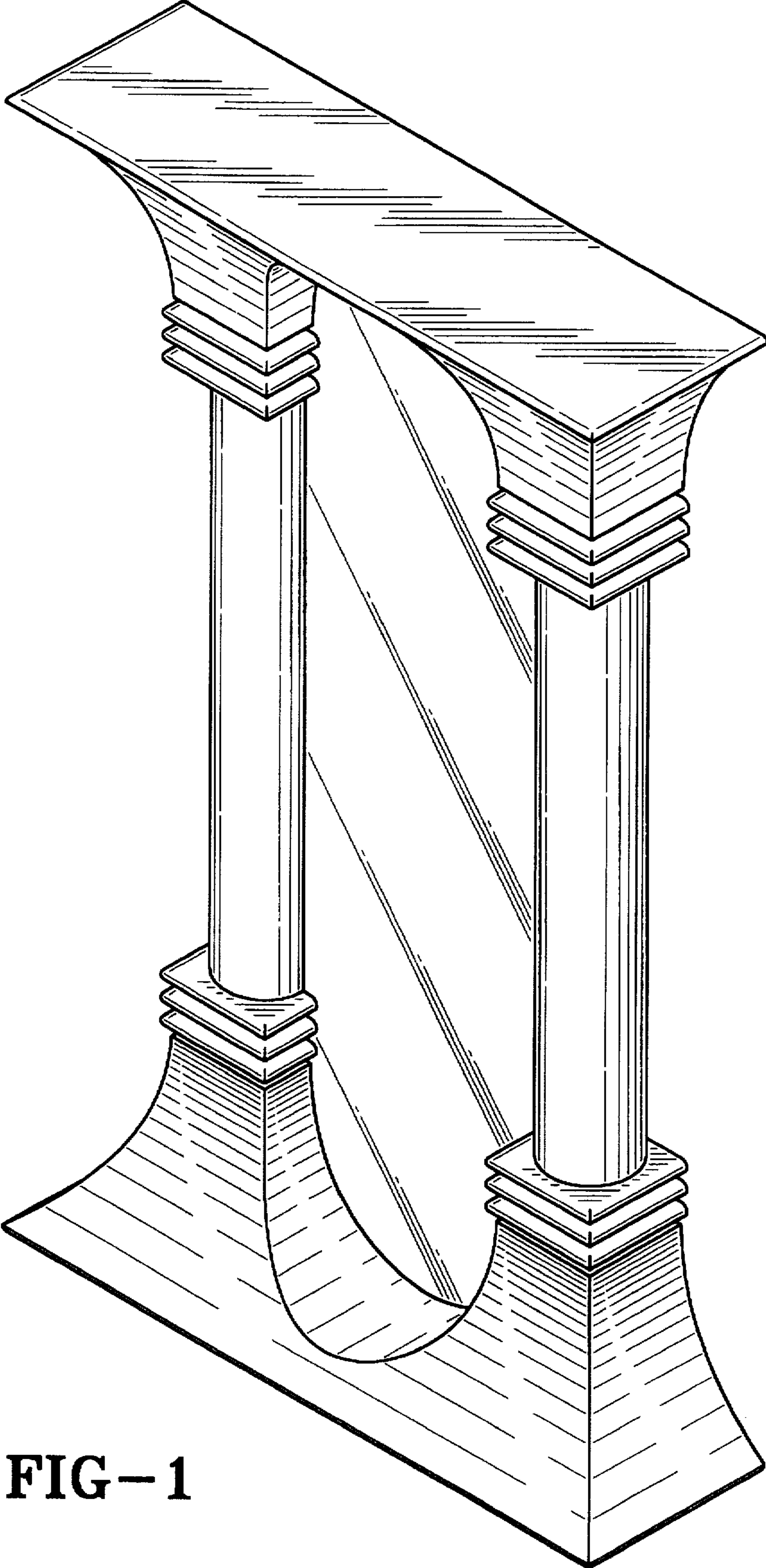


FIG-1

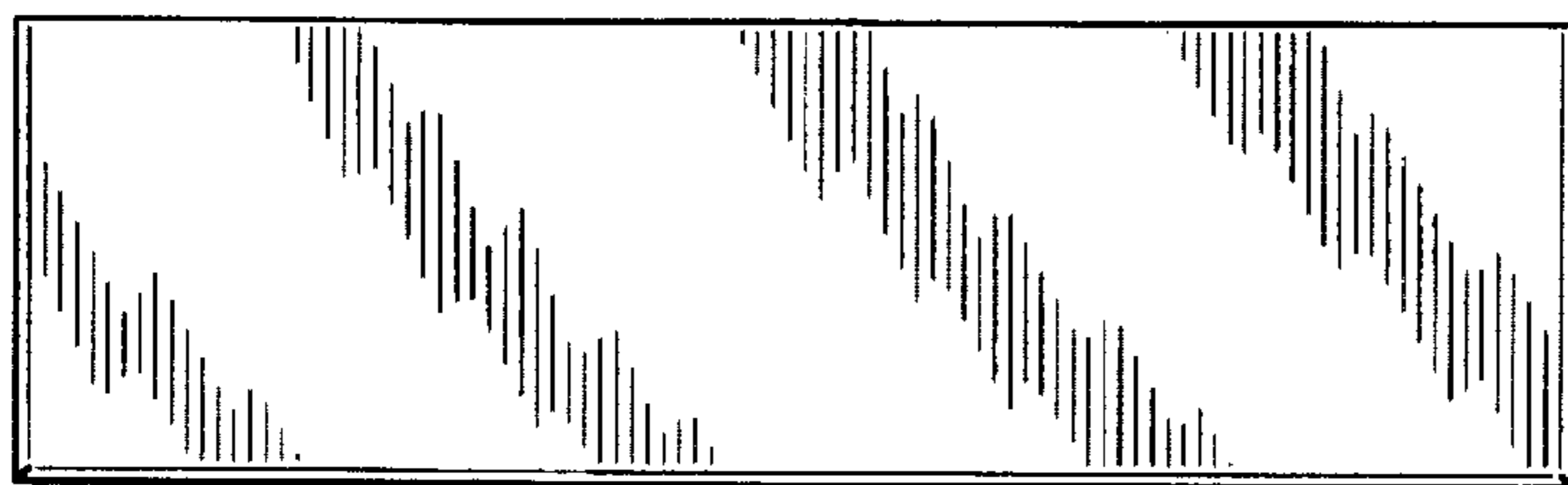


FIG-2

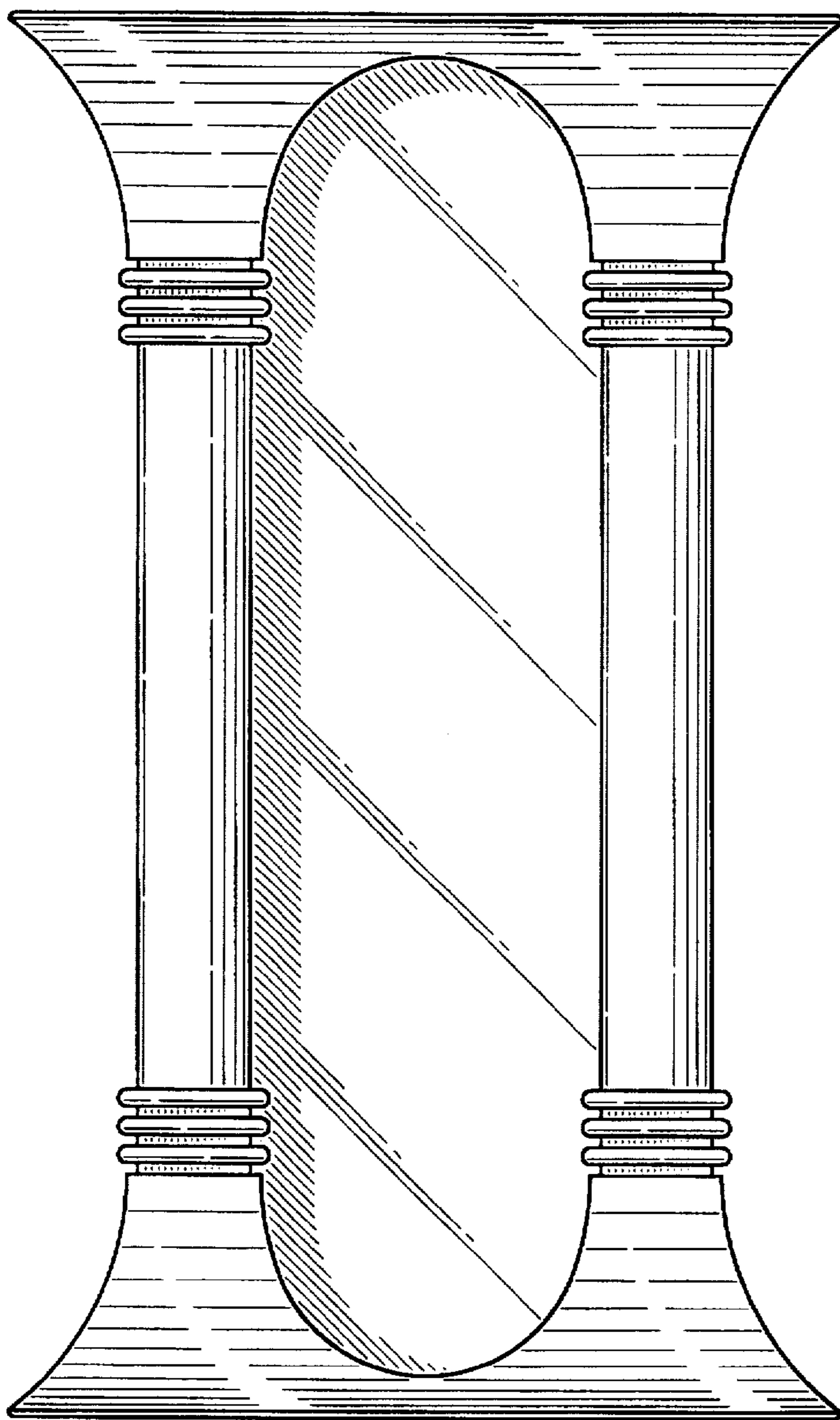


FIG-3

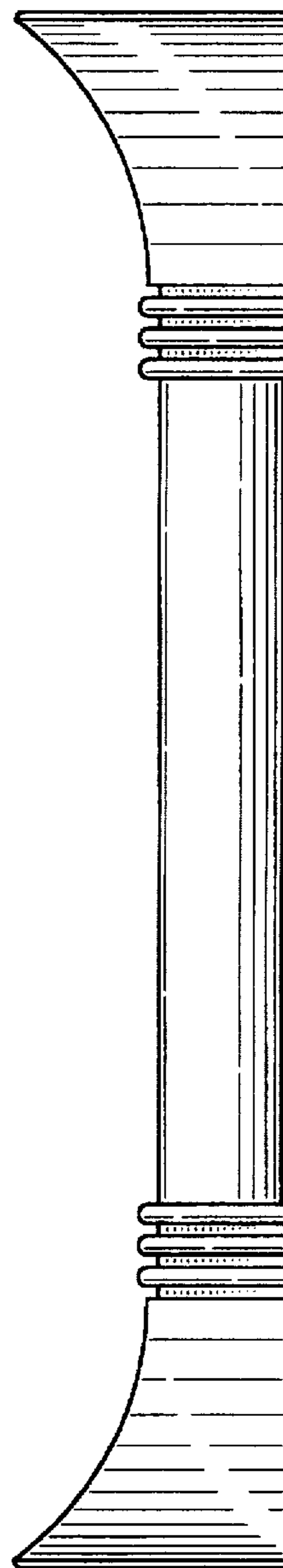


FIG-4

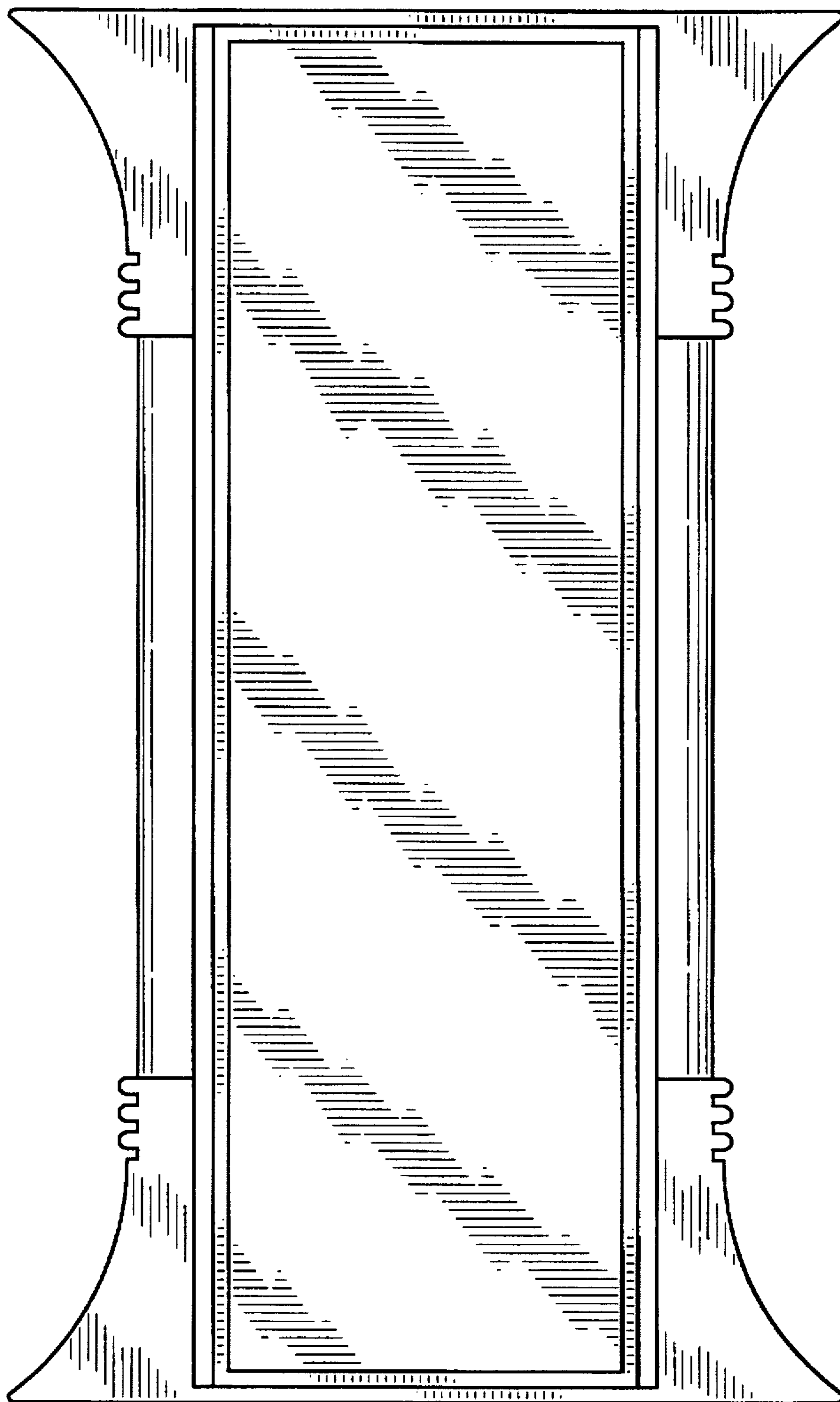


FIG-5