



US00D385389S

**United States Patent** [19]  
**Bell**

[11] **Patent Number: Des. 385,389**

[45] **Date of Patent: \*\*Oct. 28, 1997**

[54] **CAP**  
[75] **Inventor: Allan K. Bell, Pearland, Tex.**  
[73] **Assignee: Kati Sportcap Inc., Houston, Tex.**  
[\*\*] **Term: 14 Years**

109,566 11/1870 White .  
D. 112,895 1/1939 Fortune .  
D. 232,984 10/1974 Hurwitz .  
D. 358,474 5/1995 Dunlavey ..... D2/866  
1,190,427 7/1916 Kromer, Jr. .... 2/195.6 X  
1,651,929 12/1927 Murnan .  
2,556,807 6/1951 Goldman ..... D2/884 X  
5,325,540 7/1994 Kronenberger ..... 2/195.1 X

[21] **Appl. No.: 60,623**  
[22] **Filed: Oct. 2, 1996**

*Primary Examiner—Paula A. Mortmier*  
*Attorney, Agent, or Firm—Bush, Riddle & Jackson, L.L.P.*

[51] **LOC (6) Cl. .... 02-03**  
[52] **U.S. Cl. .... D2/886**  
[58] **Field of Search ..... D2/865, 866, 868,  
D2/869, 871, 872, 875, 876, 879, 882,  
884, 886; 2/195.1, 195.2, 195.4, 195.5,  
195.6**

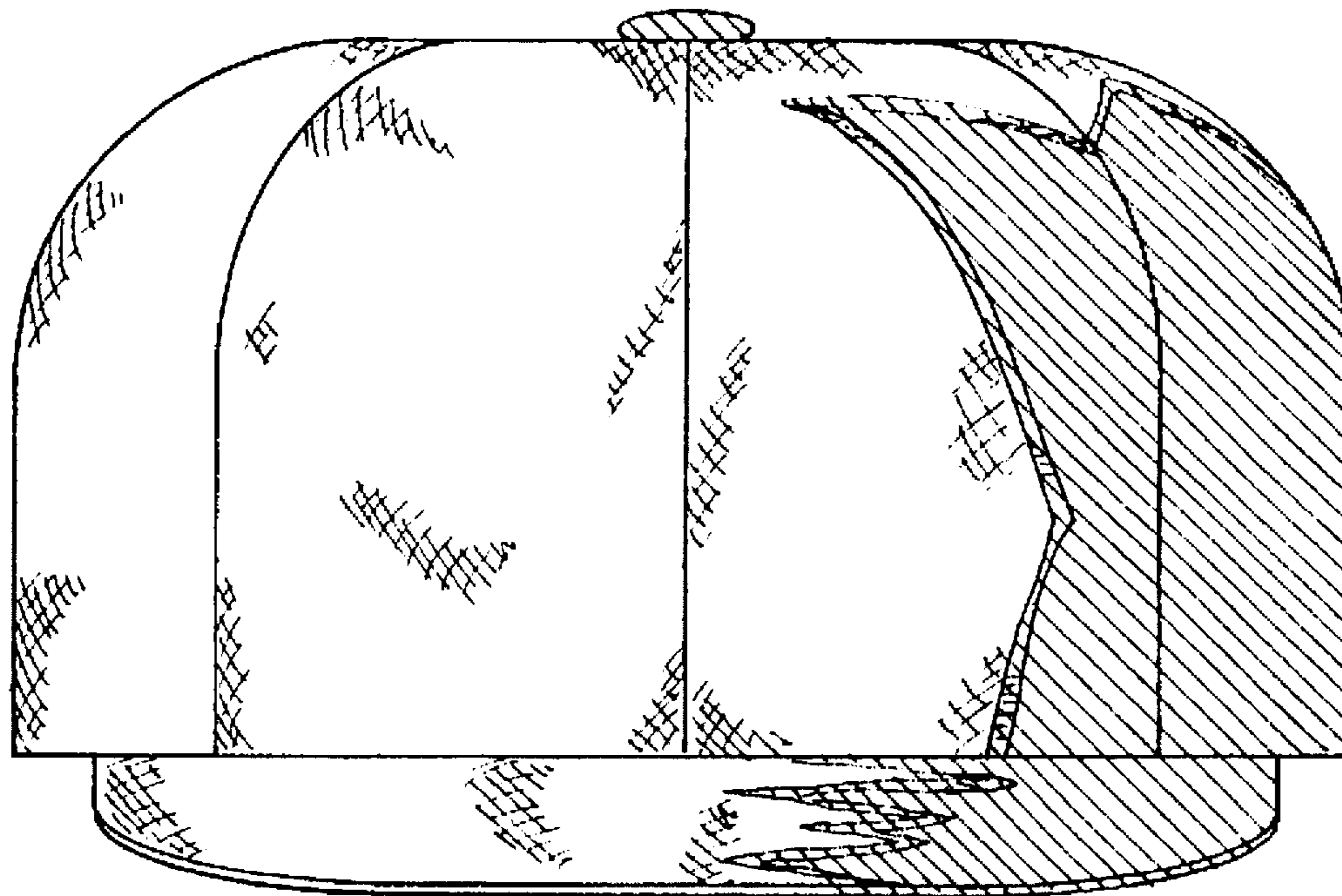
[57] **CLAIM**  
The ornamental design for a cap, as shown and described.

**DESCRIPTION**

FIG. 1 is a left side elevational view of a cap showing my new design;  
FIG. 2 is a bottom plan view thereof;  
FIG. 3 is a rear elevational view thereof;  
FIG. 4 is a right side elevational view thereof;  
FIG. 5 is a top plan view thereof; and  
FIG. 6 is a front elevational view thereof.

[56] **References Cited**  
**U.S. PATENT DOCUMENTS**  
D. 49,618 9/1916 O'Leary .  
D. 67,305 5/1925 Rawak .  
D. 67,308 5/1925 Rawak .  
D. 96,519 8/1935 Strawgate .

**1 Claim, 2 Drawing Sheets**



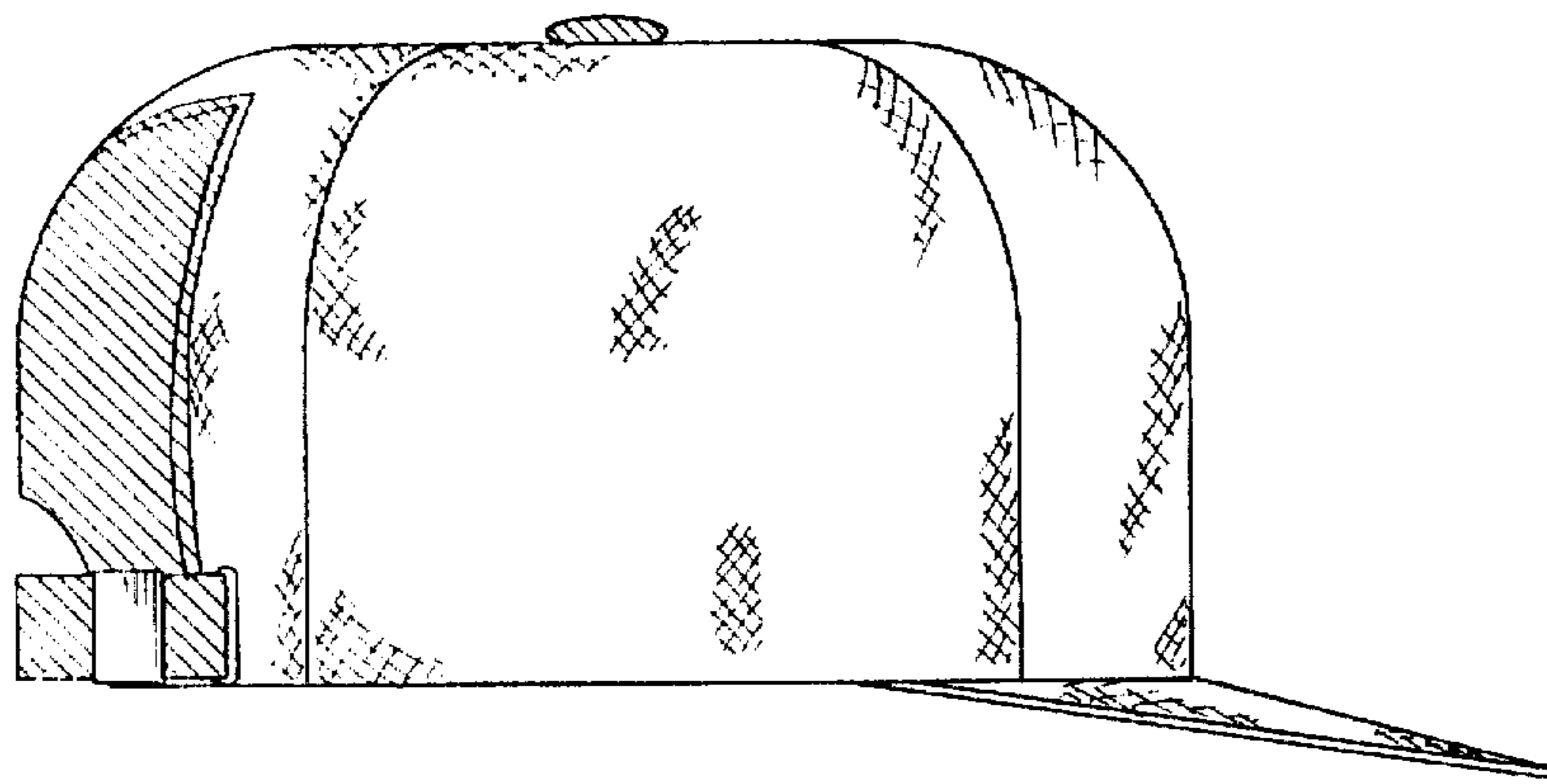


FIG. 1

FIG. 2

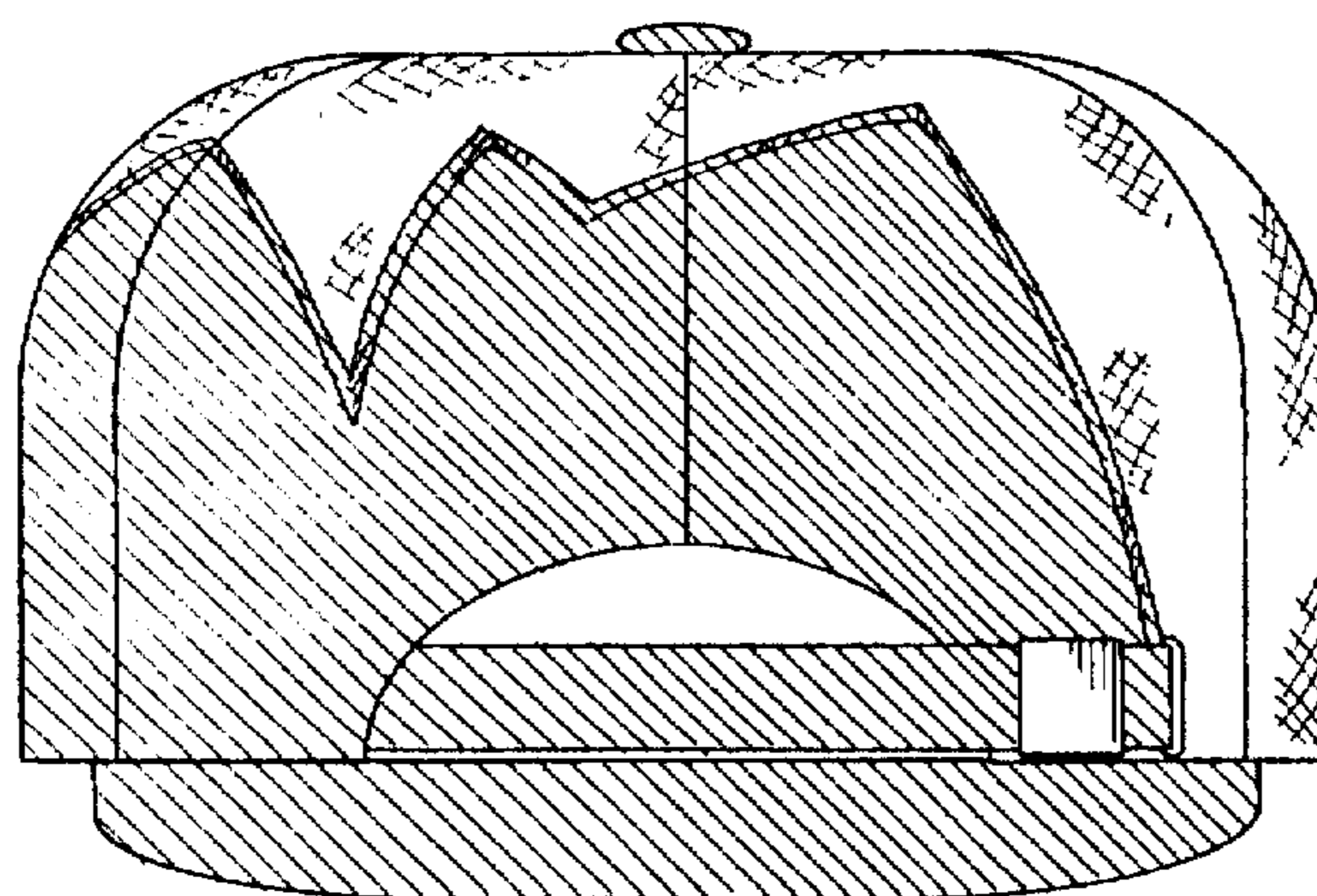
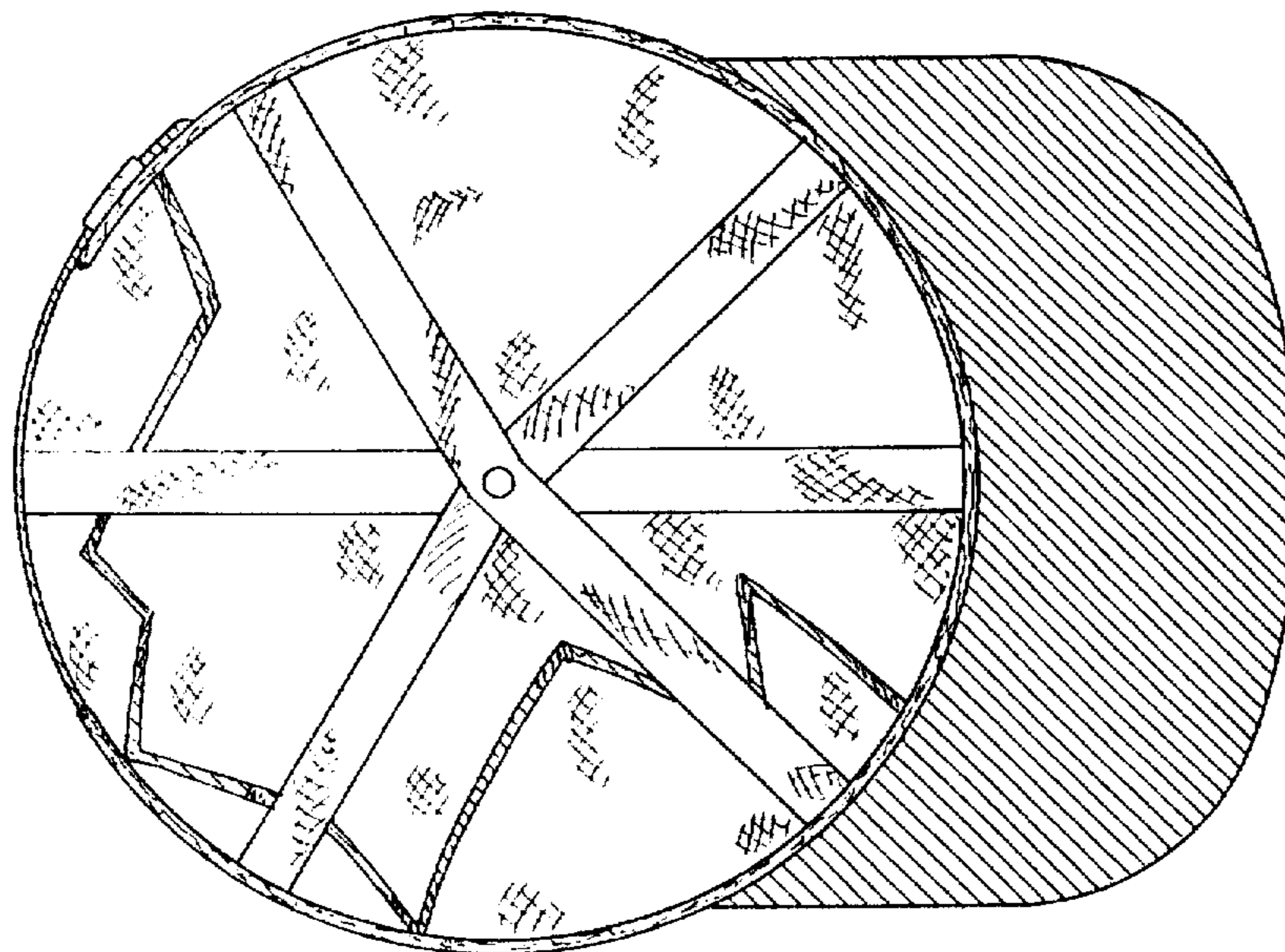


FIG. 3



FIG. 4

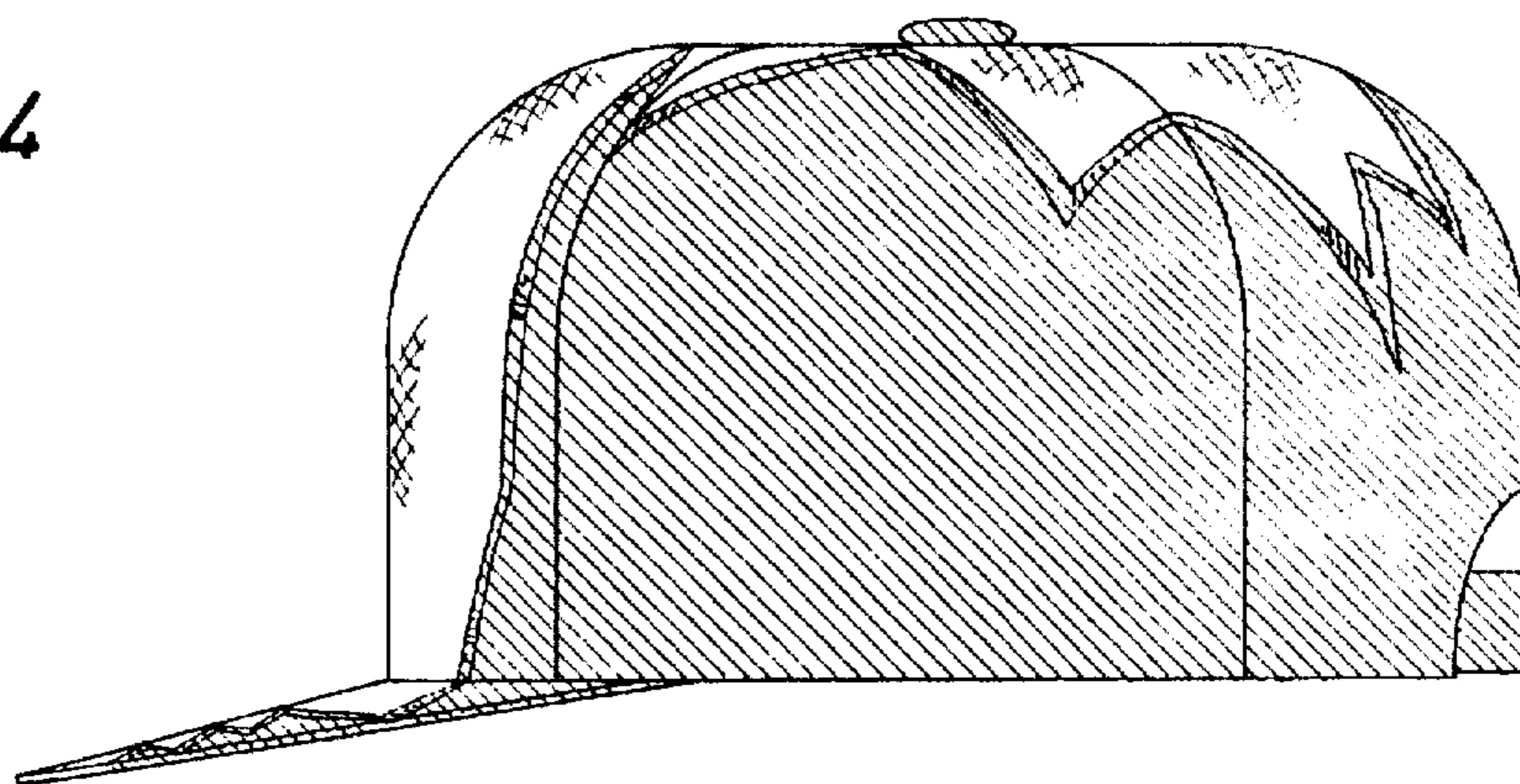


FIG. 5

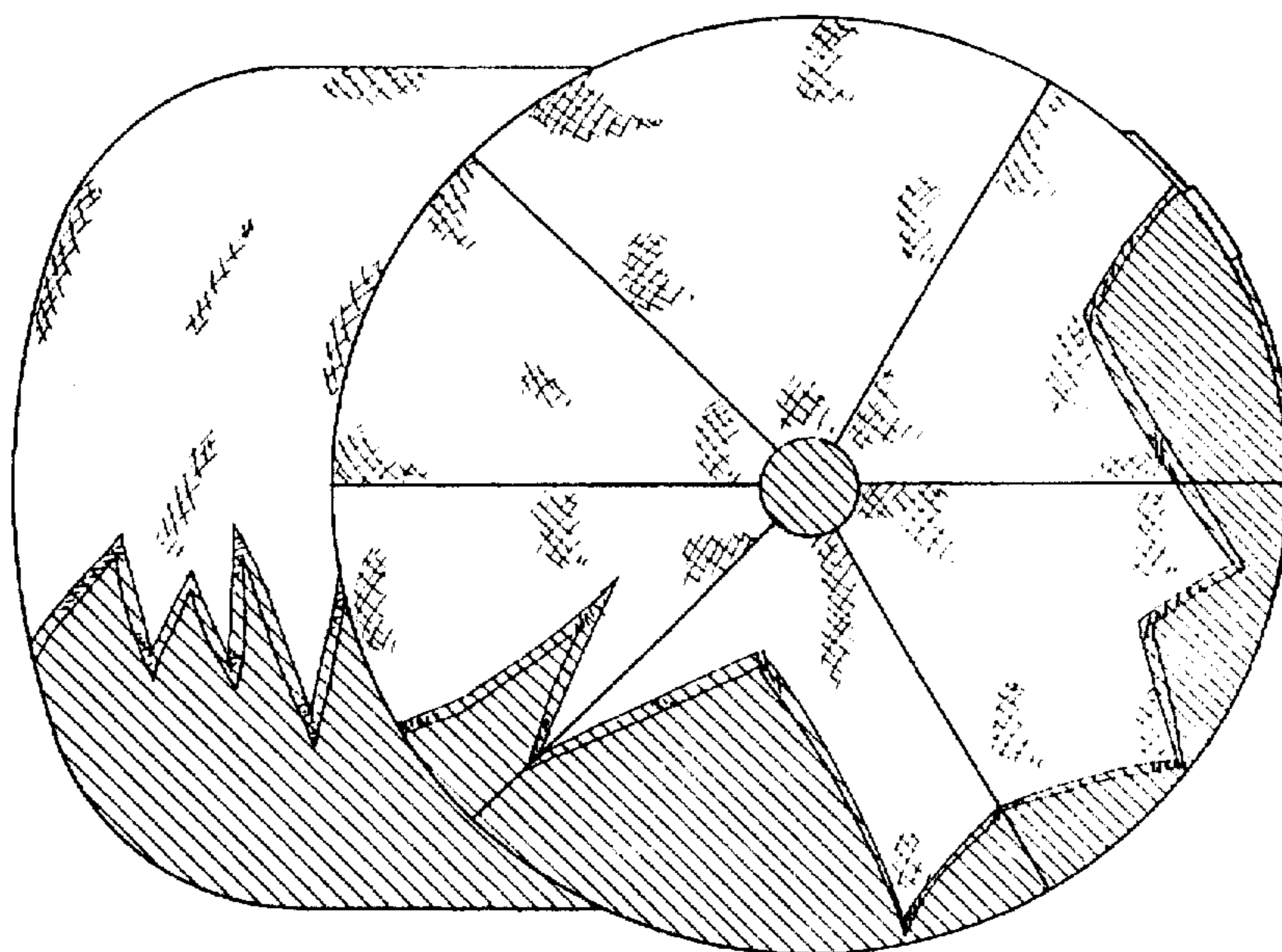


FIG. 6

