



US00D385384S

**United States Patent** [19]  
**Creecy**

[11] **Patent Number:** **Des. 385,384**  
[45] **Date of Patent:** **\*\*Oct. 21, 1997**

[54] **SWEEPER**

[76] **Inventor:** **Charles T. Creecy, 218 13th St., Racine, Wis. 53403**

[\*\*] **Term:** **14 Years**

[21] **Appl. No.:** **42,778**

[22] **Filed:** **Aug. 17, 1995**

[51] **LOC (6) Cl.** ..... **15-05**

[52] **U.S. Cl.** ..... **D32/20**

[58] **Field of Search** ..... **D32/15, 16; 15/340.1, 15/340.3, 340.4, 78, 82, 83, 87, 349, 352**

[56] **References Cited**

**U.S. PATENT DOCUMENTS**

D. 246,106	10/1977	Russell	.....	D32/16
D. 273,622	4/1984	Brown et al.	.....	D32/16
D. 291,932	9/1987	Knowlton et al.	.....	D32/16
D. 329,311	9/1992	Knowlton et al.	.....	D32/16
4,580,313	4/1986	Blehert	.....	15/349

**OTHER PUBLICATIONS**

Two pages from a Dulevo ad, undated, admitted prior art showing the Model 72 sweeper.  
A page from an Amros ad, undated, admitted prior art showing the Model 701 sweeper.

A page from a Kent ad, undated, admitted prior art showing the KS-35BR sweeper.

A page from a Motorscope Industriali ad, undated, admitted prior art showing the R 702 sweeper.

Two pages from a Clarke ad, undated, admitted prior art showing the Model 114 RS sweeper.

One page of an ad, source unknown, undated, admitted prior art showing the 1200 and 1500 Sweepmate sweepers.

P. 18 of a May 1961 Modern Materials Handling publication showing the Tennant 85 sweeper.

*Primary Examiner*—Ruth McInroy

*Attorney, Agent, or Firm*—Quarles & Brady

[57] **CLAIM**

The ornamental design for a sweeper, as shown and described.

**DESCRIPTION**

FIG. 1 is a right, frontal perspective view of a sweeper showing my new design;  
FIG. 2 is a left side elevational view thereof;  
FIG. 3 is a right side elevational view thereof;  
FIG. 4 is a front elevational view thereof;  
FIG. 5 is a back elevational view thereof; and,  
FIG. 6 is a top plan view thereof.  
The fragmentary showing of a floor in FIG. 1 is for illustration only and forms no part of the claimed design.

**1 Claim, 3 Drawing Sheets**

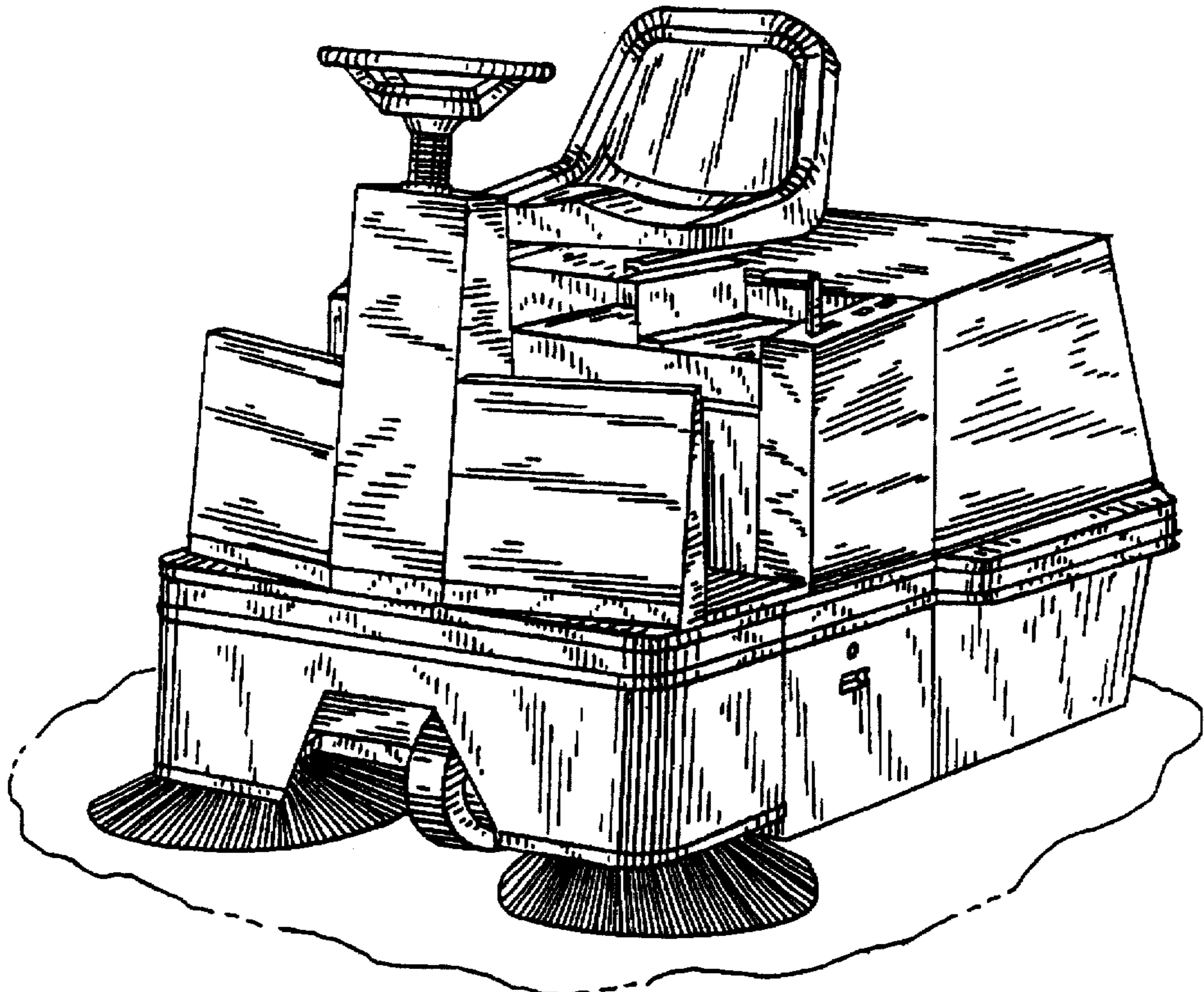


FIG. 1

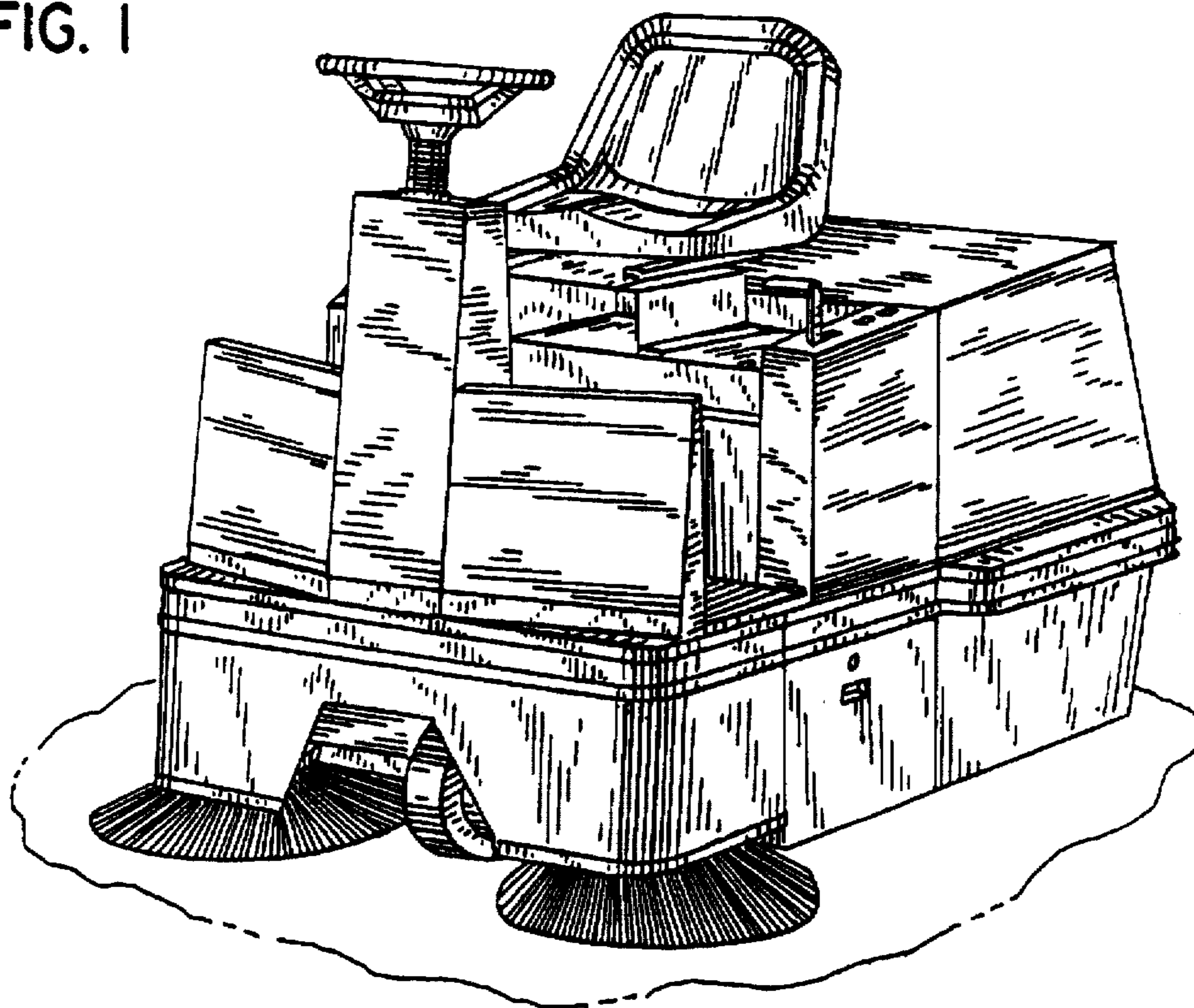
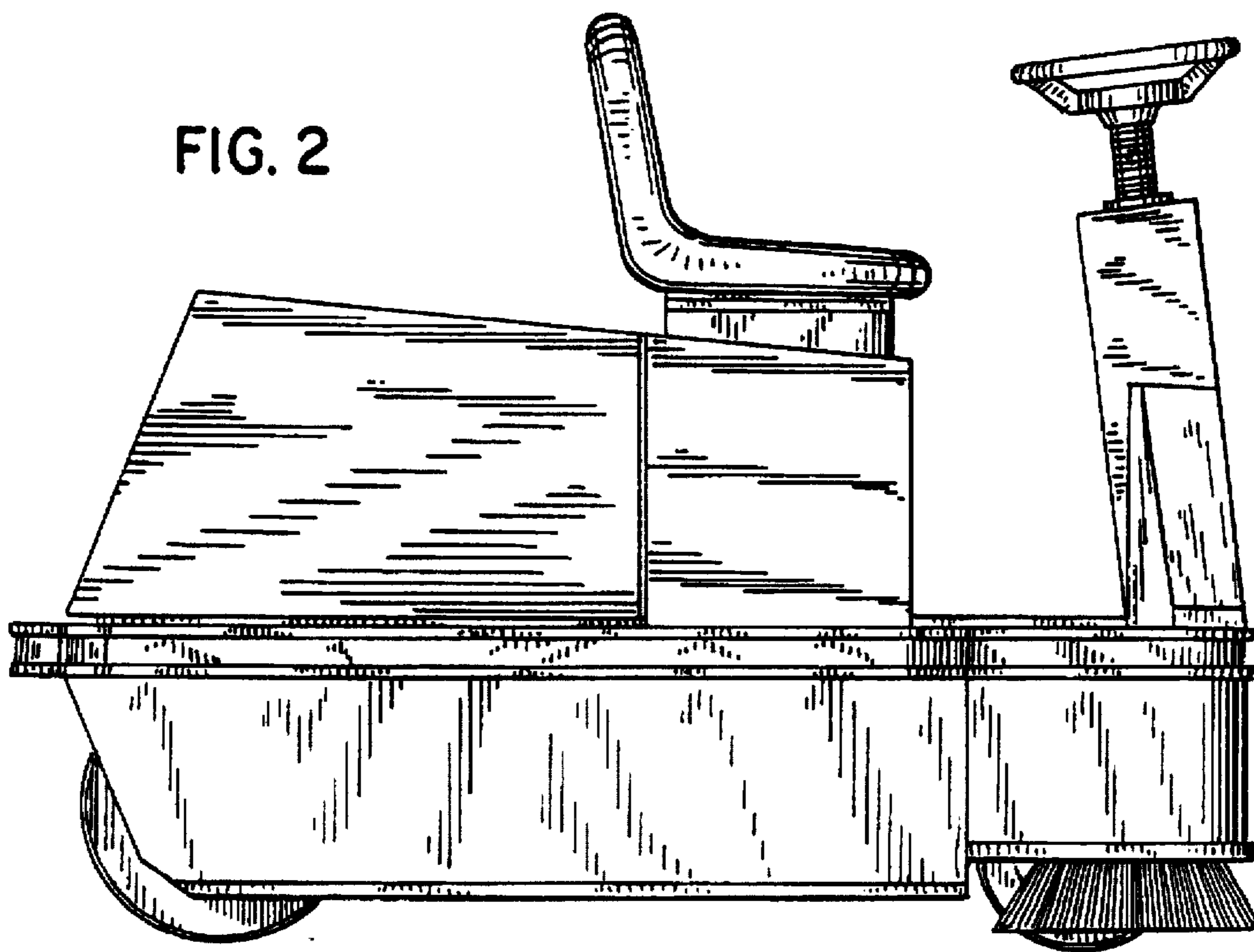


FIG. 2



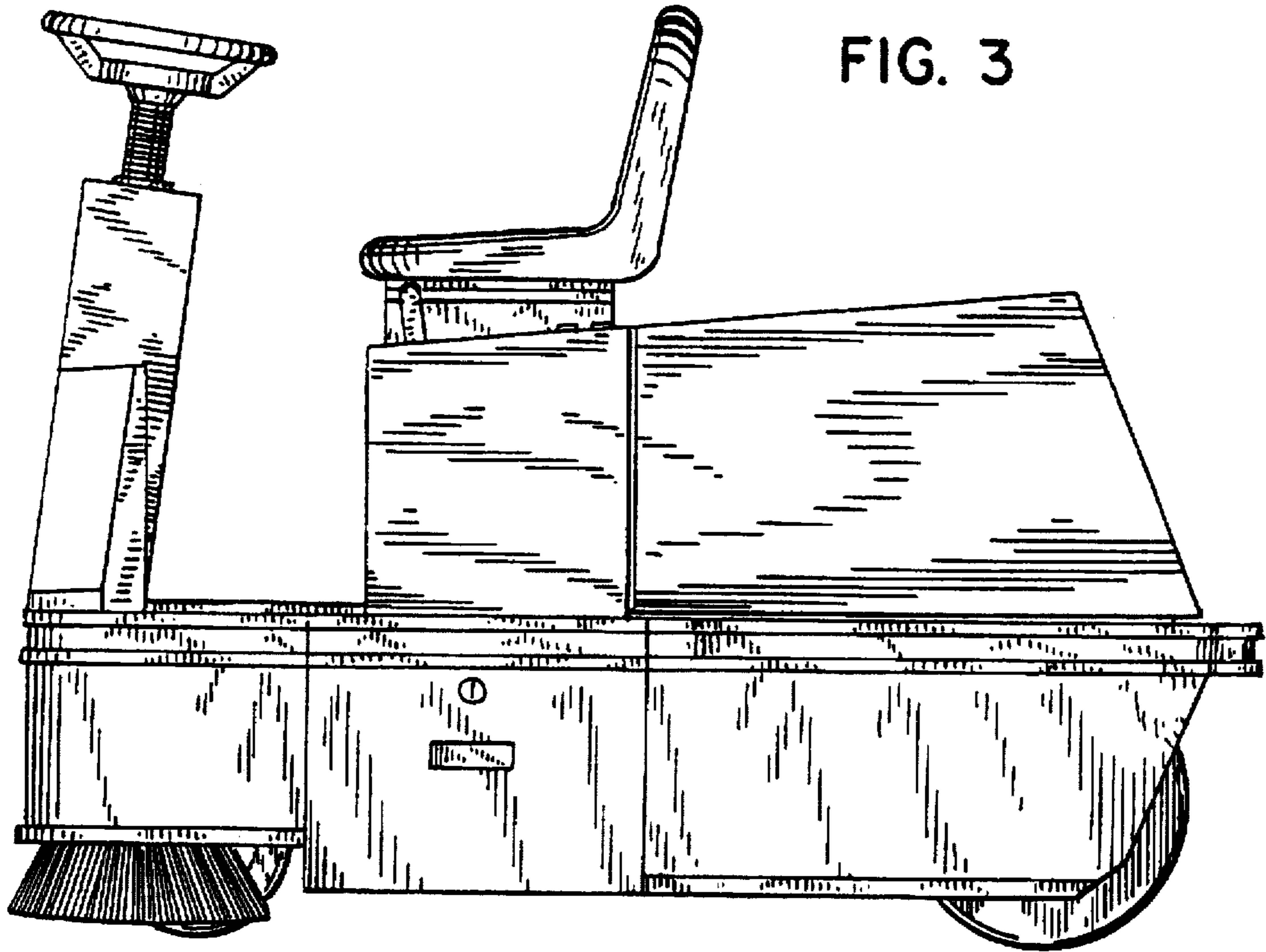


FIG. 3

FIG. 4

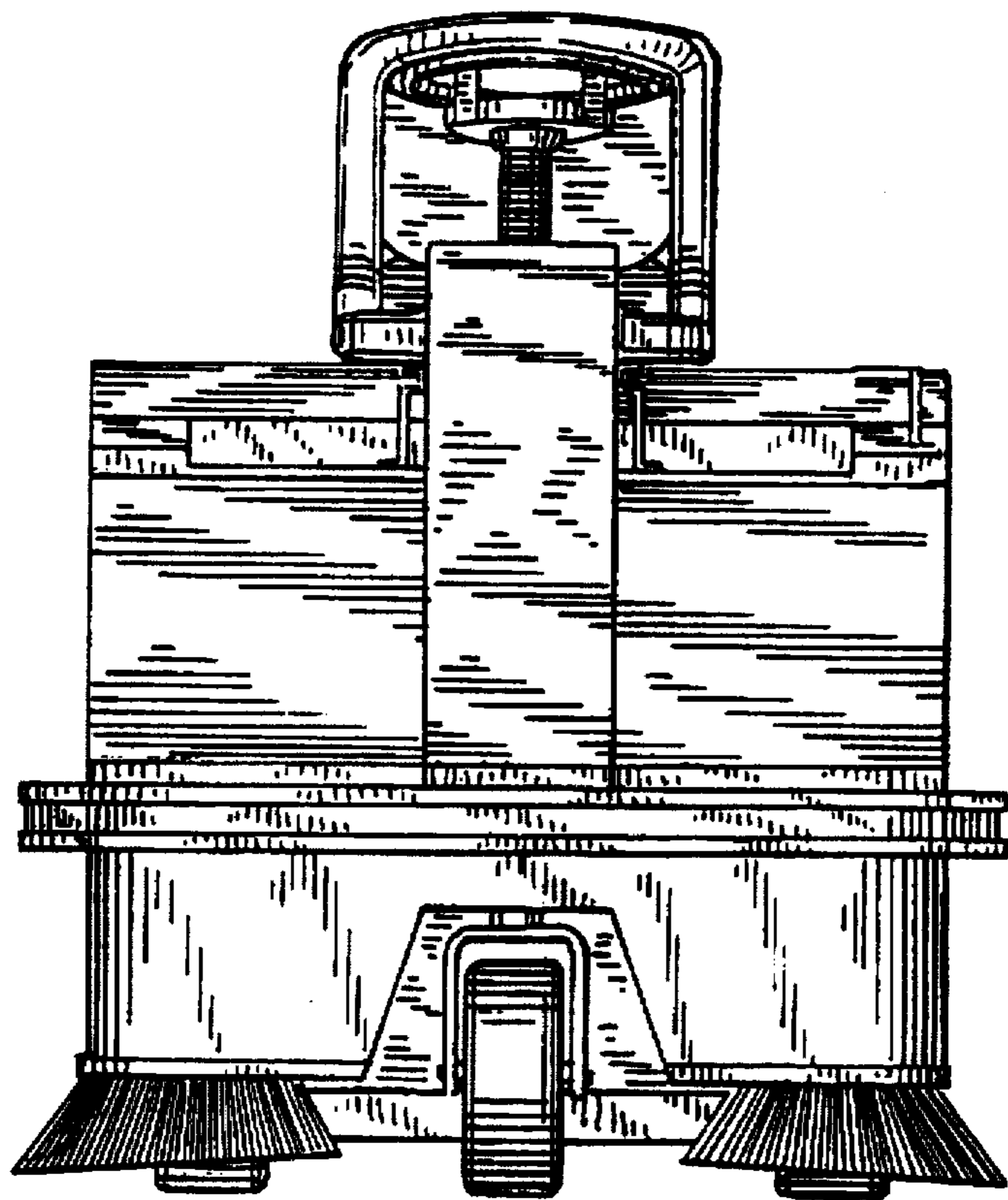


FIG. 5

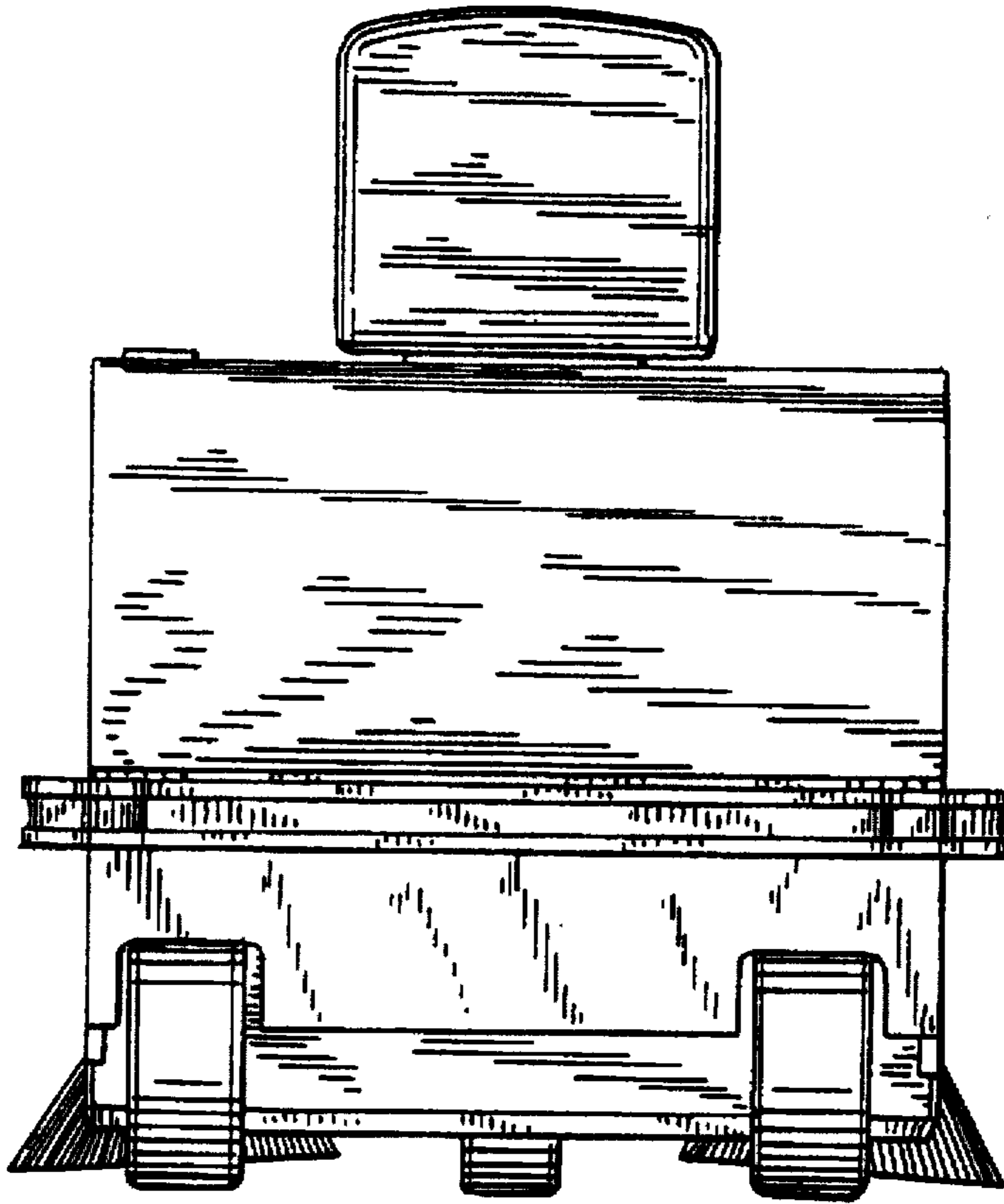


FIG. 6

