

US00D385383S

United States Patent [19]

[11] Patent Number: **Des. 385,383**

Locke

[45] Date of Patent: ****Oct. 21, 1997**

[54] **FEEDER FOR ANIMALS**

[76] Inventor: **John Randall Locke**, 15817 Avenue C,
Lot #7, Channelview, Tex. 77530

[**] Term: **14 Years**

[21] Appl. No.: **36,970**

[22] Filed: **Mar. 31, 1995**

[51] LOC (6) Cl. **30-07**

[52] U.S. Cl. **D30/121**

[58] Field of Search 119/52.1, 61, 52.4,
119/54, 51.12, 77, 5.4, 55; D30/121-122,
124-133

[56] **References Cited**

U.S. PATENT DOCUMENTS

D. 286,692	11/1986	DePew	D30/121
D. 296,942	7/1988	Koeter	D34/28
D. 326,741	6/1992	Powers	D30/121
D. 331,132	11/1992	Maddocks	D30/121
2,031,874	2/1936	Butler et al.	119/61
2,752,995	7/1956	Dodge	119/61
3,121,419	2/1964	Gillespie	119/61
4,355,598	10/1982	Saylor	119/52.1
4,840,143	6/1989	Simon	119/52.1
5,230,301	7/1993	Nass	119/52.1
5,404,838	4/1995	Khan	119/52.1

FOREIGN PATENT DOCUMENTS

2324226	4/1977	France	119/61
290200	2/1916	Germany	119/55

30907	1/1922	Sweden	119/55
93793	12/1938	Sweden	119/61
0793514	1/1981	U.S.S.R.	119/61
1340691	9/1987	U.S.S.R.	119/54
4670	of 1884	United Kingdom	119/55
2124881	2/1984	United Kingdom	119/52.1

OTHER PUBLICATIONS

Successful Farming; May 1956; p. 18; Creep Feeding Attachment.

Primary Examiner—Cathy Anne MacCormac
Attorney, Agent, or Firm—Kevin A. Sembrat; John D. Gugliotta

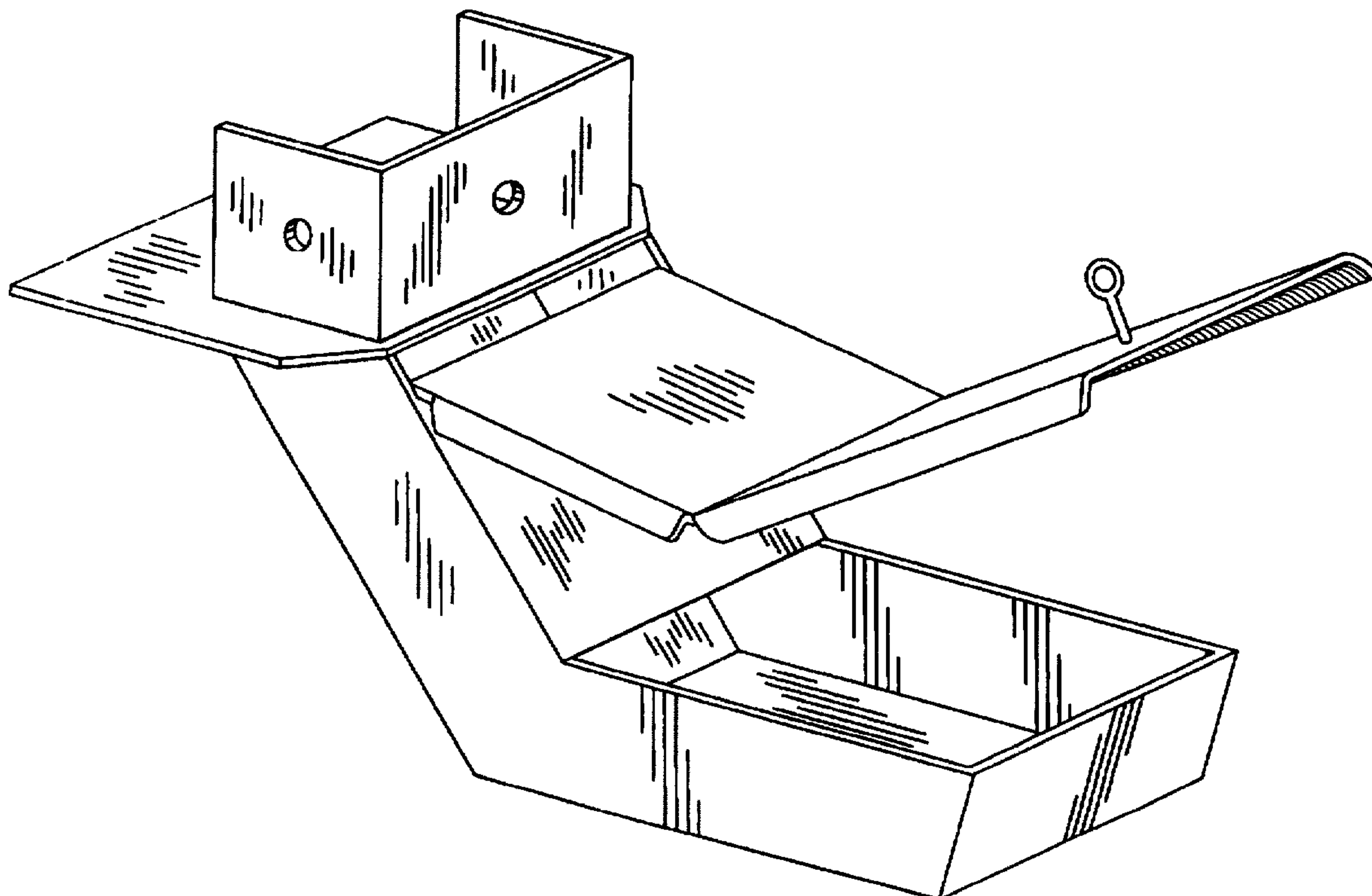
[57] **CLAIM**

The ornamental design for a feeder for animals, as shown and described.

DESCRIPTION

FIG. 1 is a top, front and left side perspective view of a feeder for animals showing my new design in an open position;
 FIG. 2 is a right side elevational view thereof, shown in a closed position;
 FIG. 3 is a right side elevational view thereof, shown in the open position;
 FIG. 4 is a front elevational view thereof, shown in the closed position;
 FIG. 5 is a rear elevational view thereof;
 FIG. 6 is a top plan view thereof; and,
 FIG. 7 is a bottom plan view thereof.

1 Claim, 3 Drawing Sheets



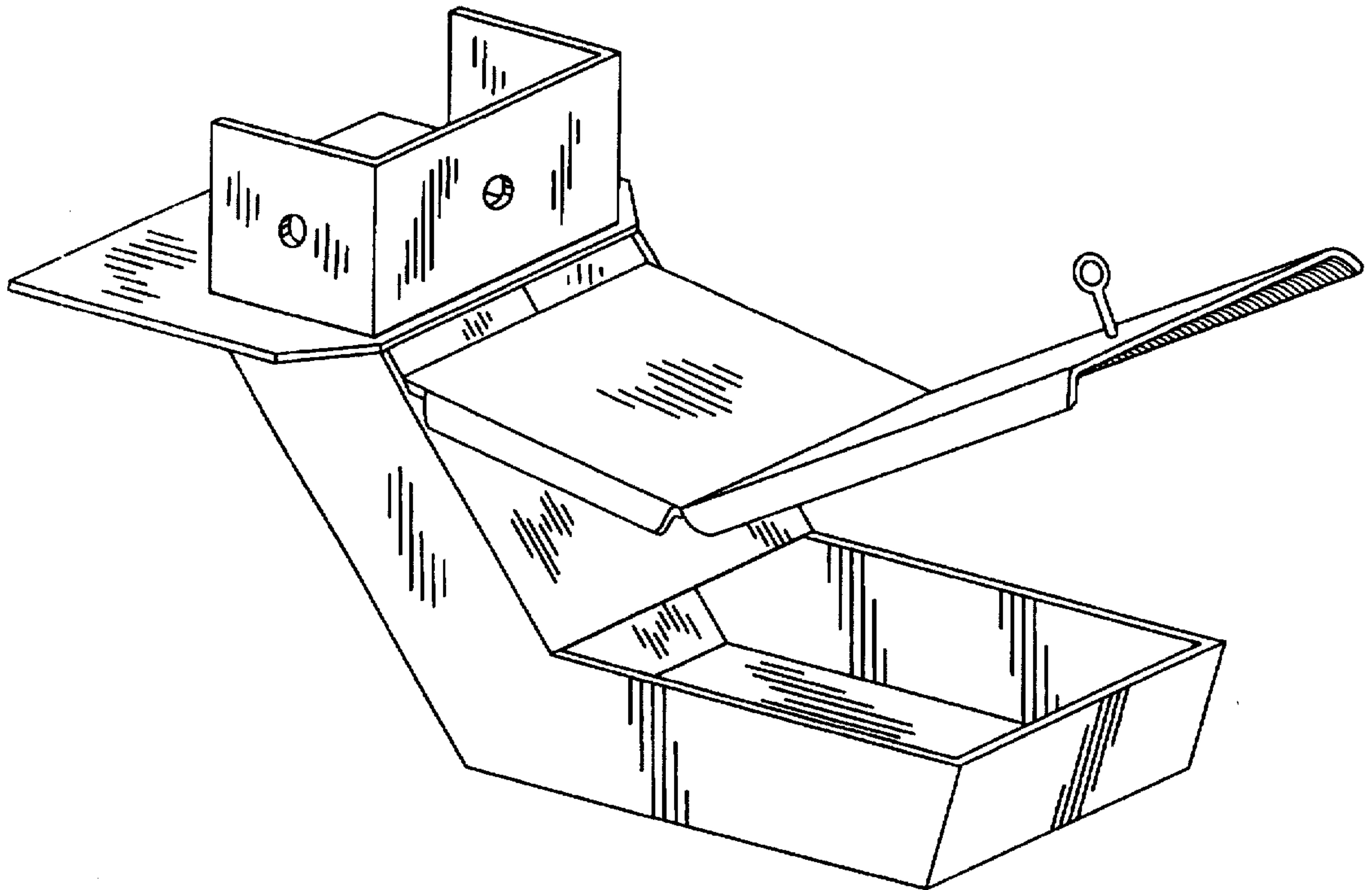


Fig. 1

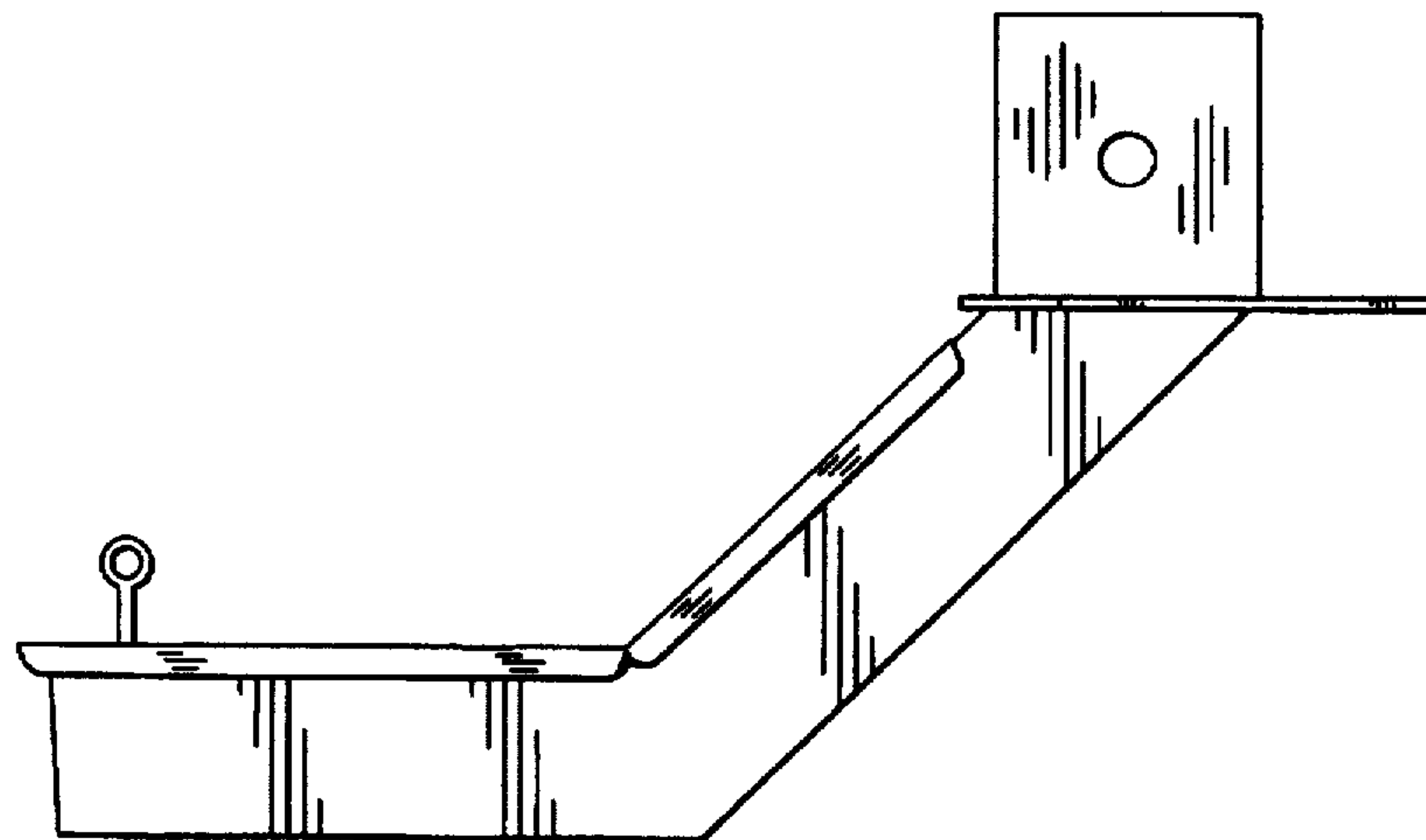


Fig. 2

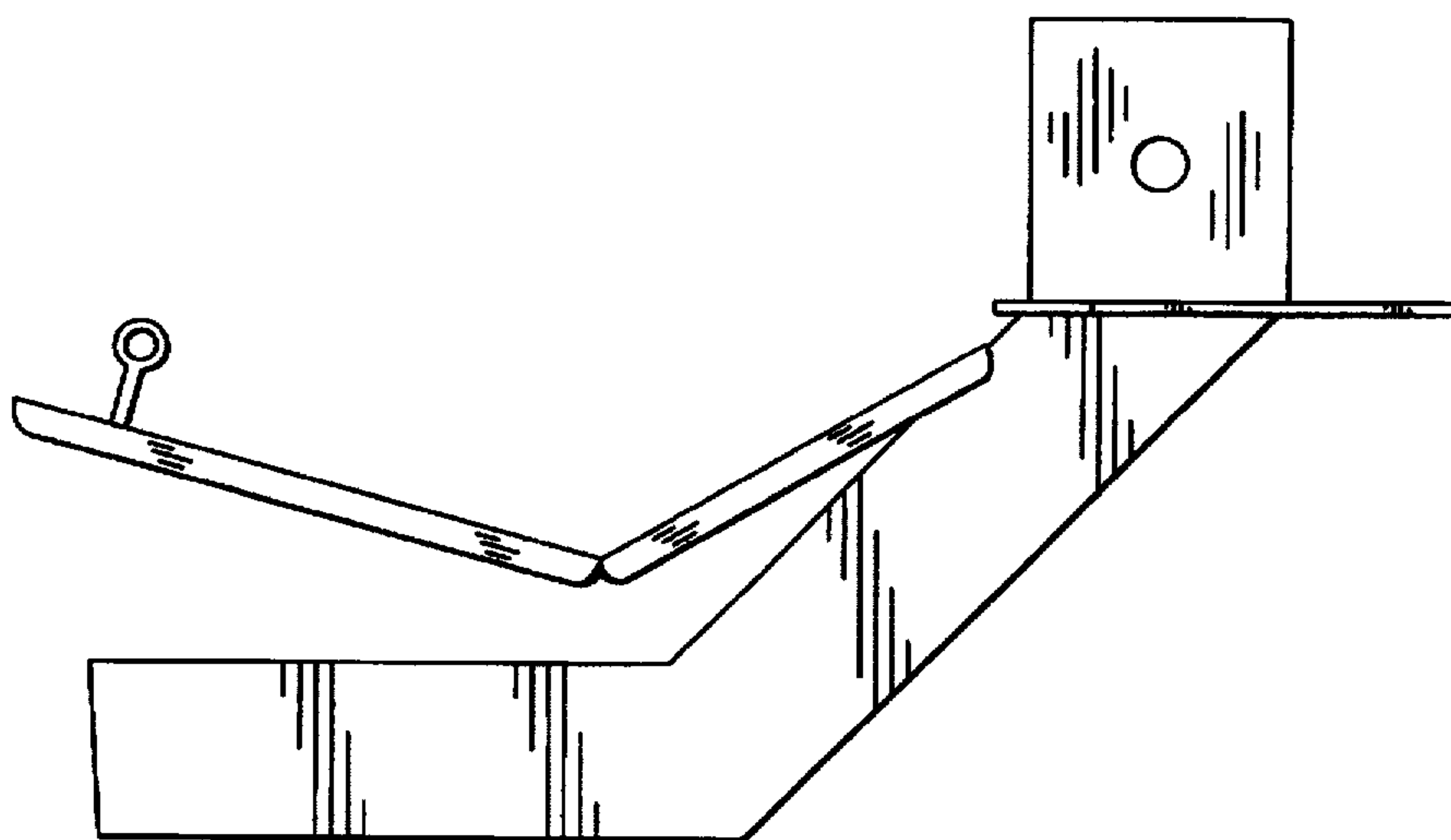


Fig. 3

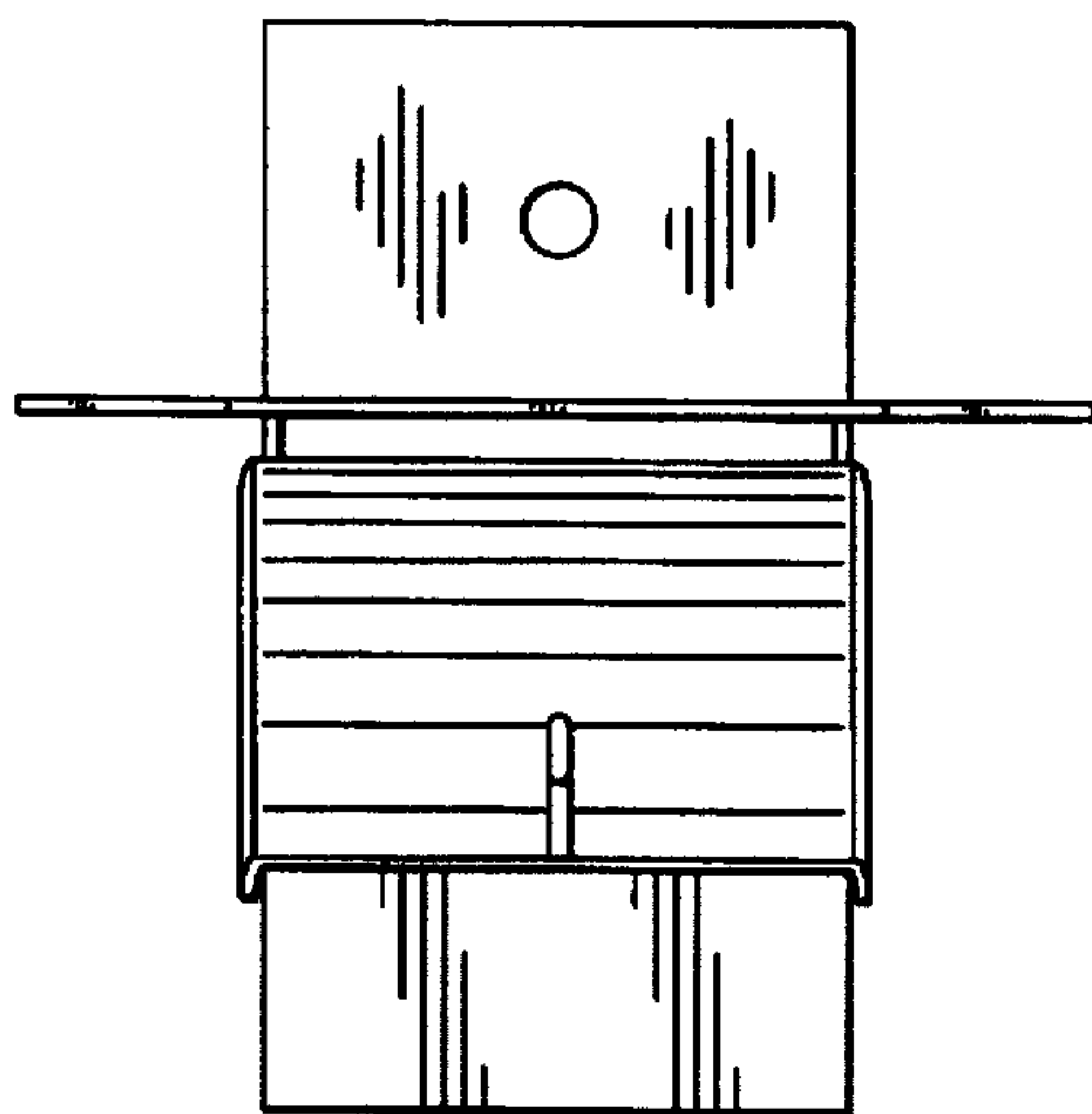


Fig. 4

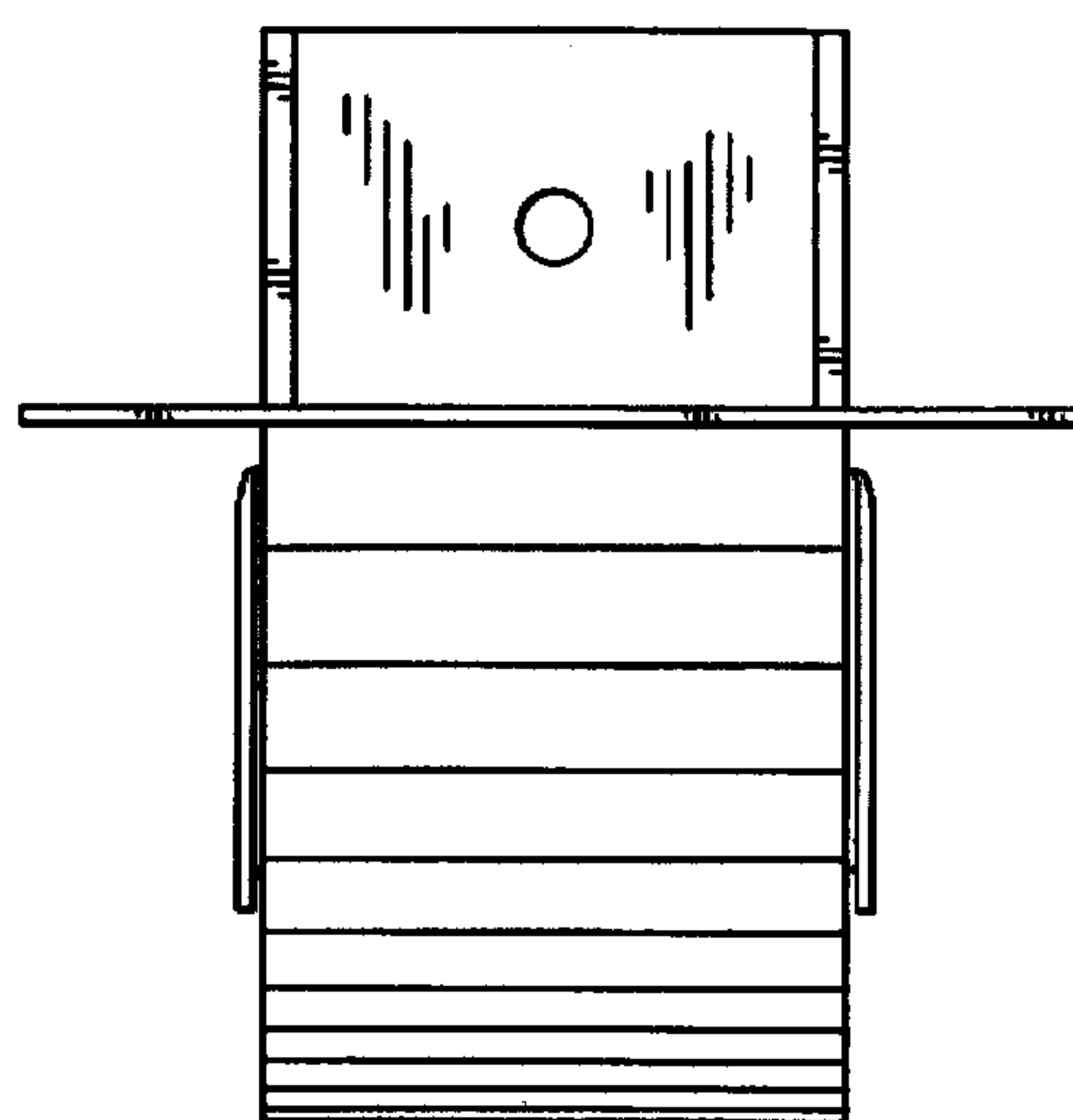


Fig. 5

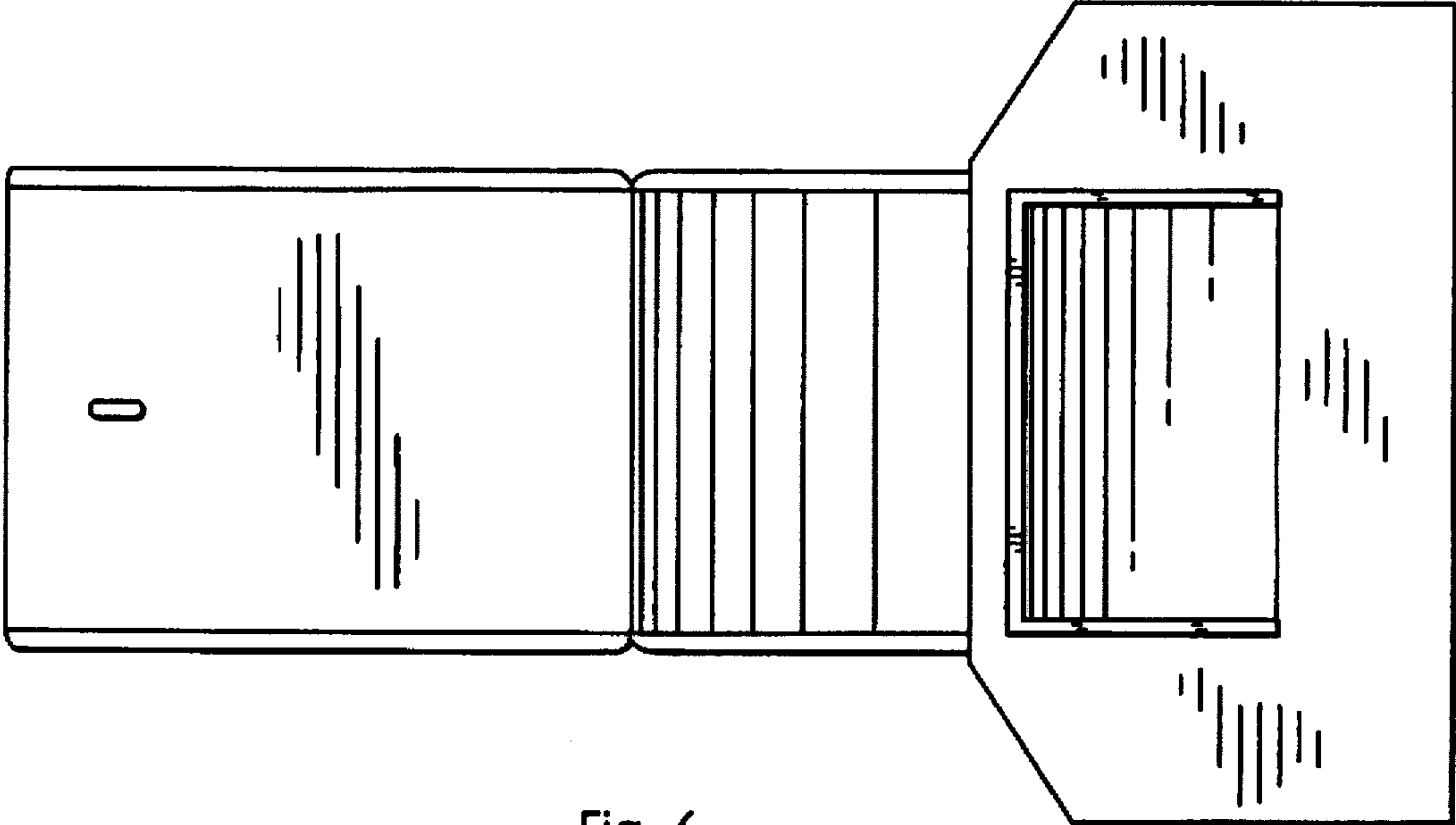


Fig. 6

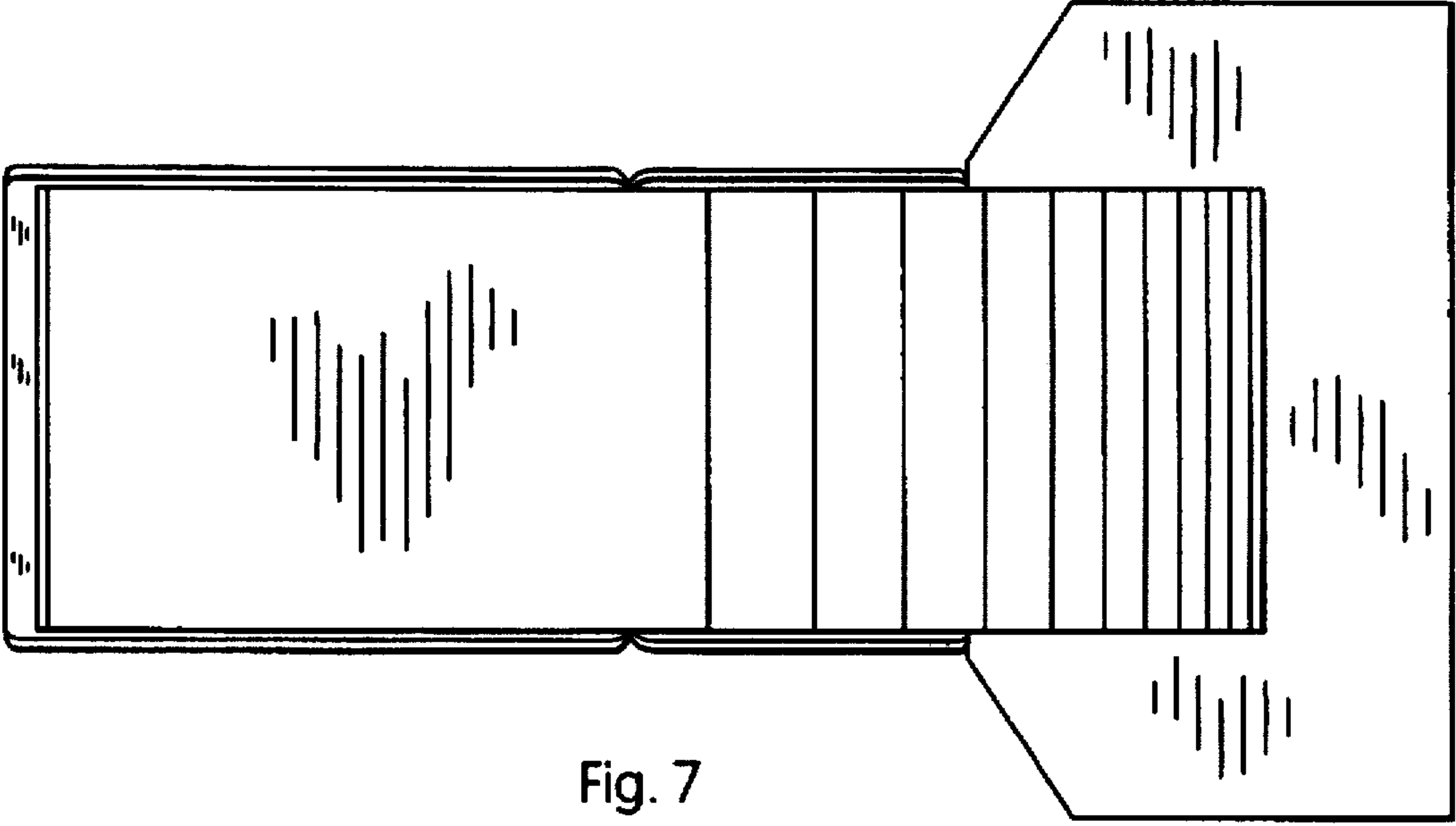


Fig. 7