



US00D385379S

United States Patent [19]
Tillotson

[11] **Patent Number:** **Des. 385,379**

[45] **Date of Patent:** ****Oct. 21, 1997**

[54] **FLUORESCENT LIGHTING FIXTURE**

[75] **Inventor:** **Kevin Tillotson, Tupelo, Miss.**

[73] **Assignee:** **Thomas Lighting, Inc., Tupelo, Miss.**

[**] **Term:** **14 Years**

[21] **Appl. No.:** **57,568**

[22] **Filed:** **Jul. 29, 1996**

[51] **LOC (6) Cl.** **26-05**

[52] **U.S. Cl.** **D26/76**

[58] **Field of Search** **D26/72, 80-92,**
D26/75, 76, 77, 78; 362/147, 404-408,
222, 223, 217

[56] **References Cited**

U.S. PATENT DOCUMENTS

D. 189,830	2/1961	Anderson	D26/78
D. 218,356	8/1970	Bobrick	D26/76
D. 300,874	4/1989	Szymanek	D26/76
4,338,653	7/1982	Marrero	362/217 X
5,343,373	8/1994	Tillotson	362/217

OTHER PUBLICATIONS

Illuminating Engineering. p. 13A, fluorescent lighting fixture, Jun. 1963.

Primary Examiner—Susan J. Lucas

[57] **CLAIM**

The ornamental design for a “fluorescent lighting fixture”, as shown and described.

DESCRIPTION

FIG. 1 is a top perspective view of the fluorescent lighting fixture of this invention;

FIG. 2 is a top plan view of FIG. 1;

FIG. 3 is an elevational view of the fixture of FIG. 1;

FIG. 4 is an end elevational view of the end opposite the end of FIG. 3 of the fixture of FIG. 1;

FIG. 5 is a side elevational view of a long side of the fixture of FIG. 1;

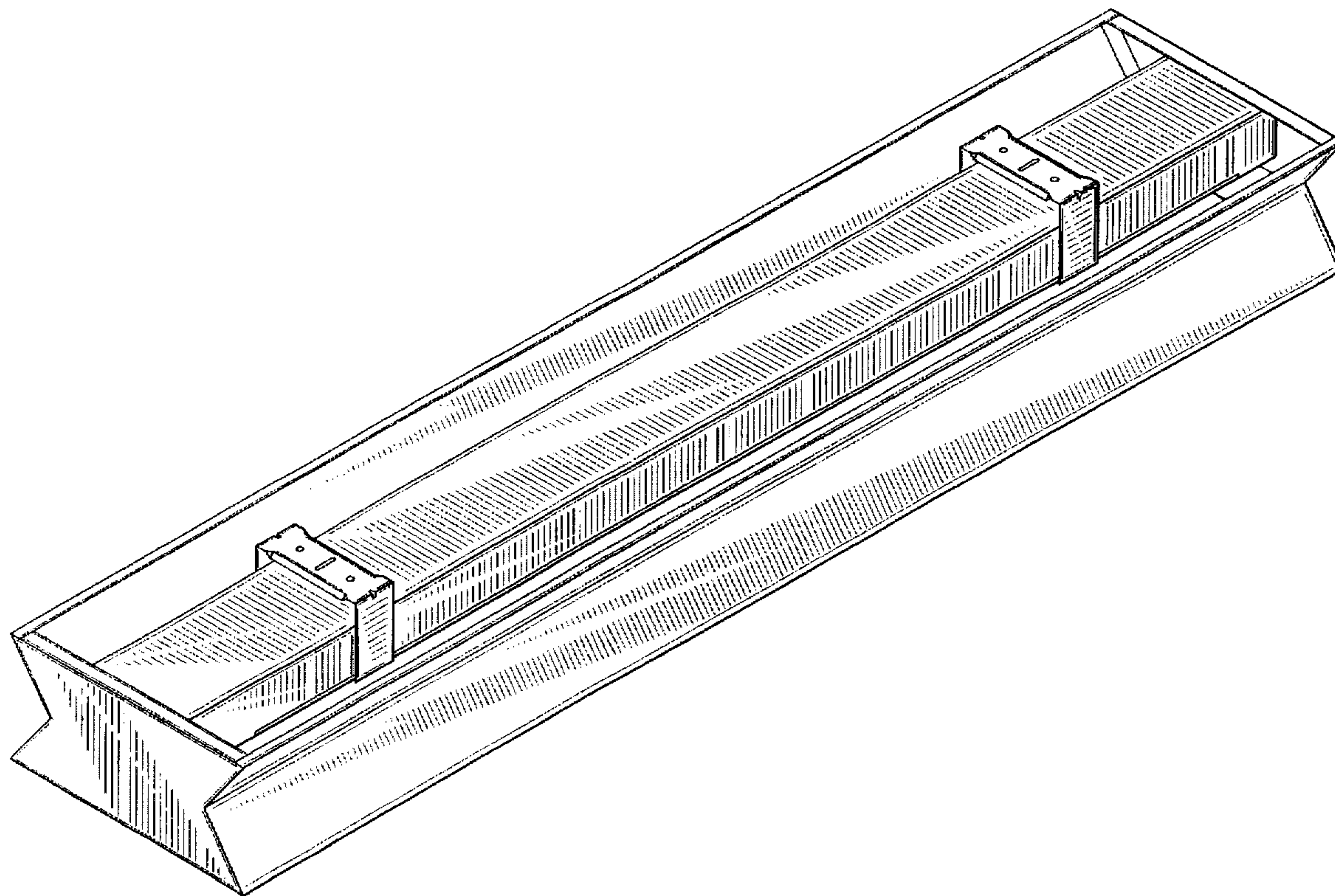
FIG. 6 is a side elevational view of the side opposite FIG. 5;

FIG. 7 is a bottom plan view of the fixture of FIG. 1; and,

FIG. 8 is a bottom perspective view of the fixture of FIG. 1.

The fluorescent lamps are shown in broken lines for illustrative purposes only and form no part of the claimed design.

1 Claim, 4 Drawing Sheets



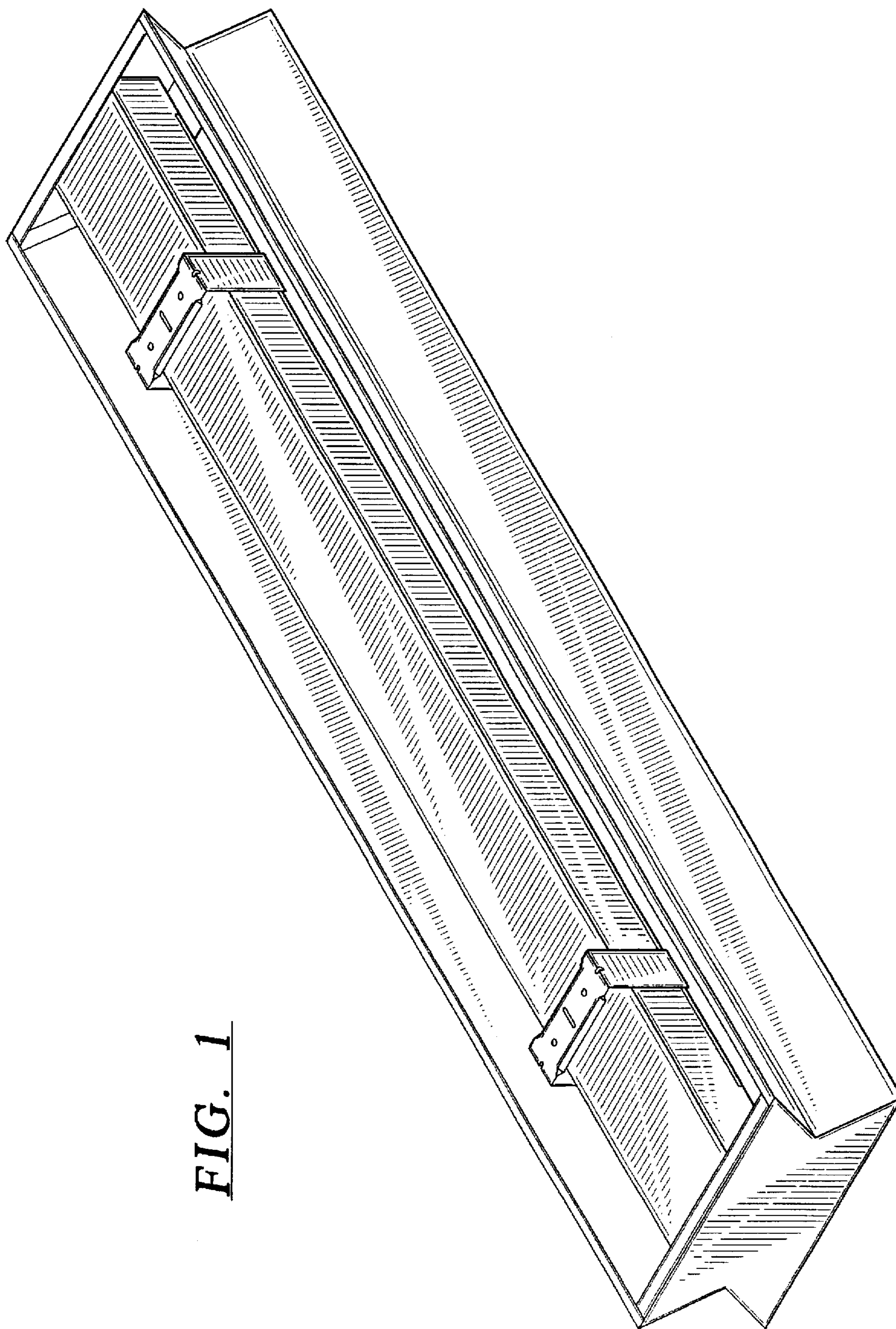


FIG. 1

FIG. 2

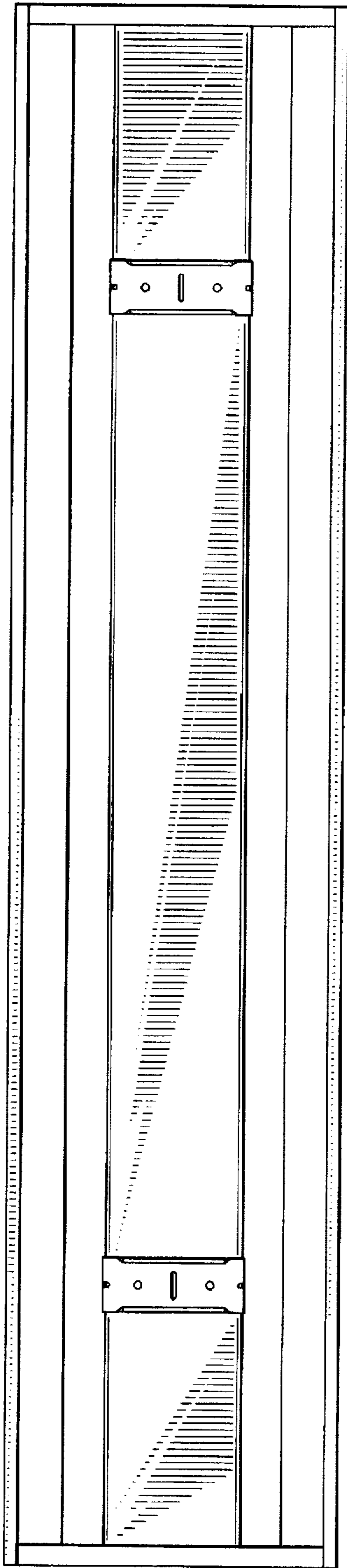


FIG. 3

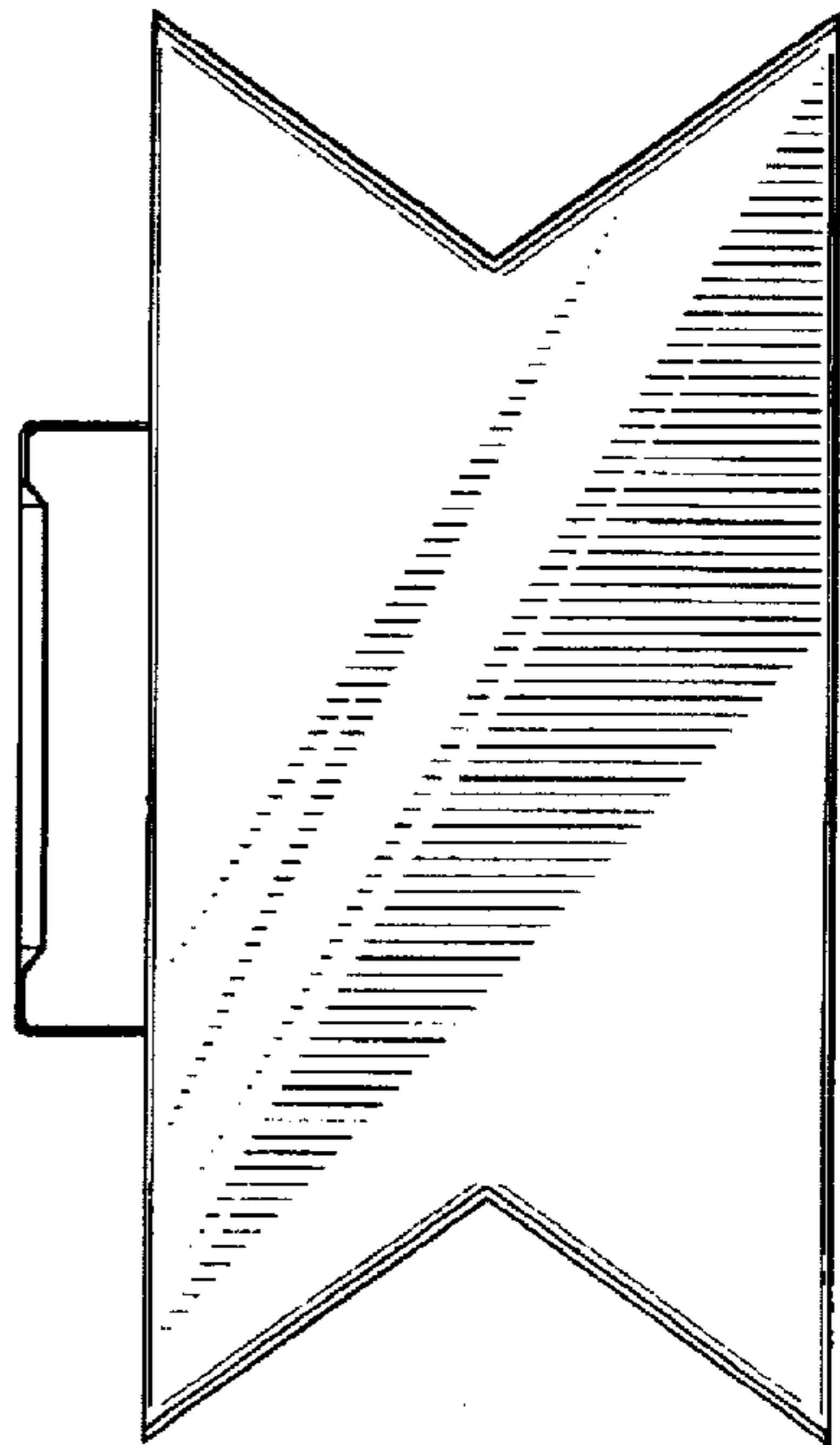


FIG. 4

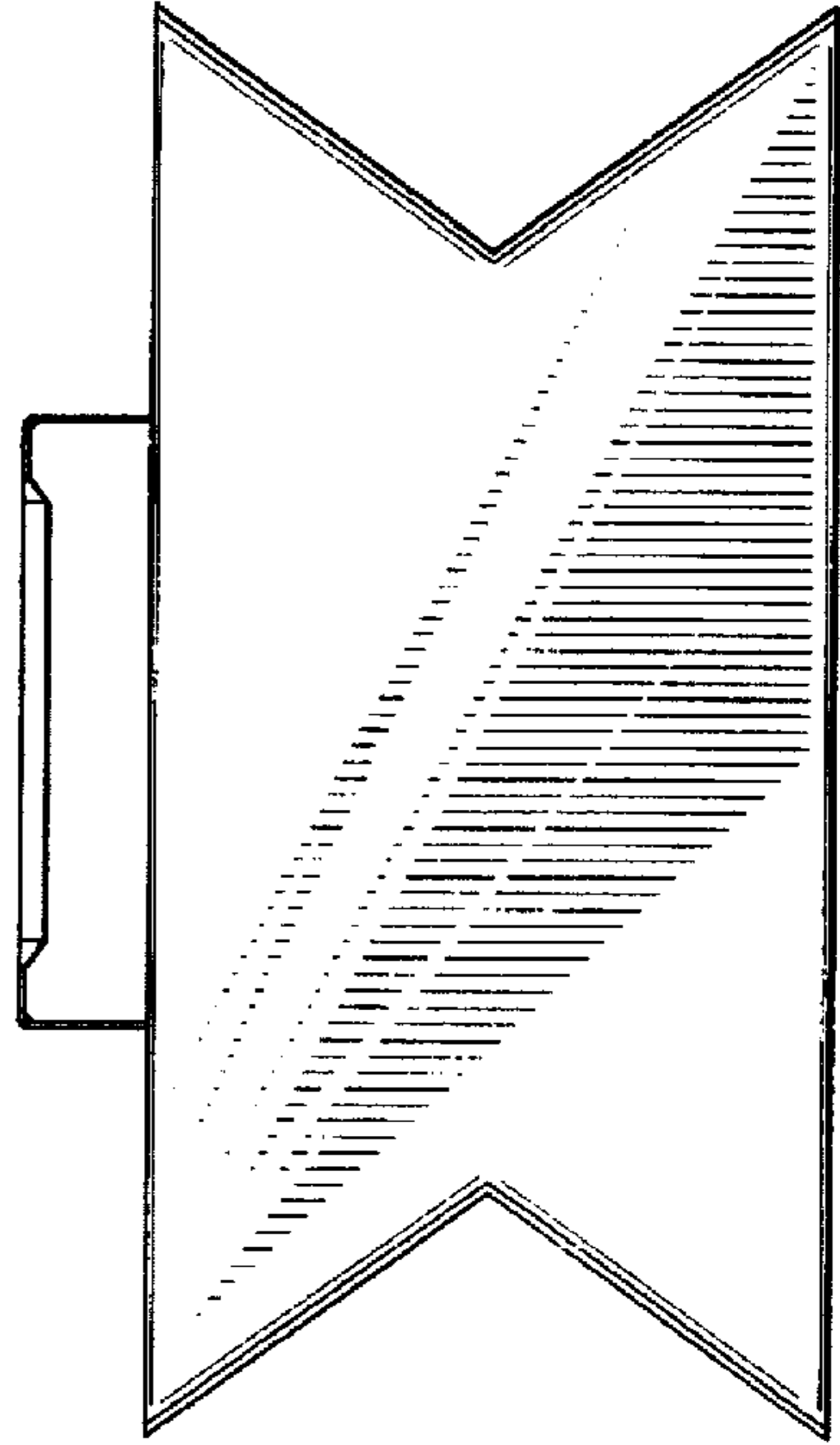


FIG. 5

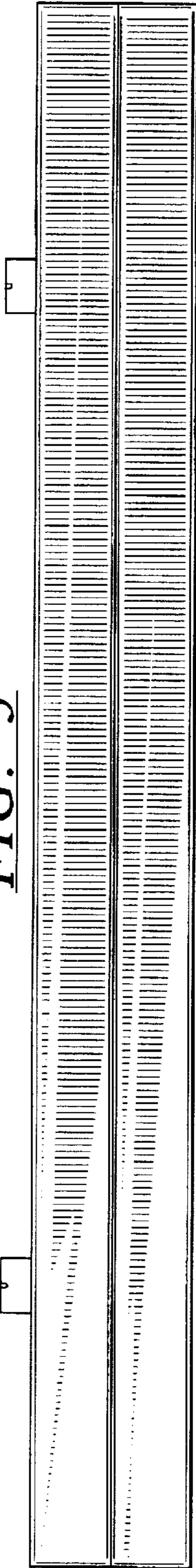


FIG. 6

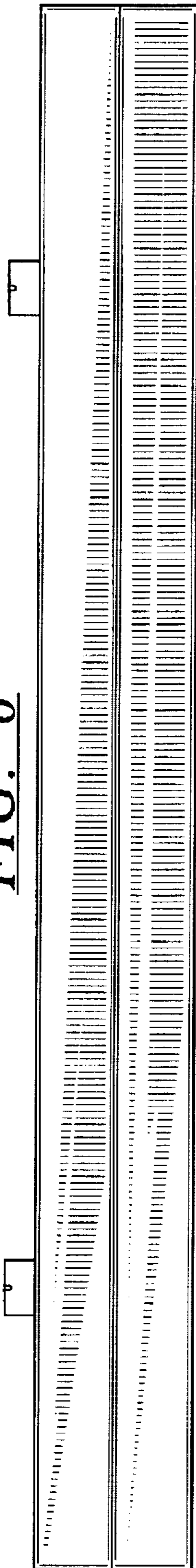


FIG. 7

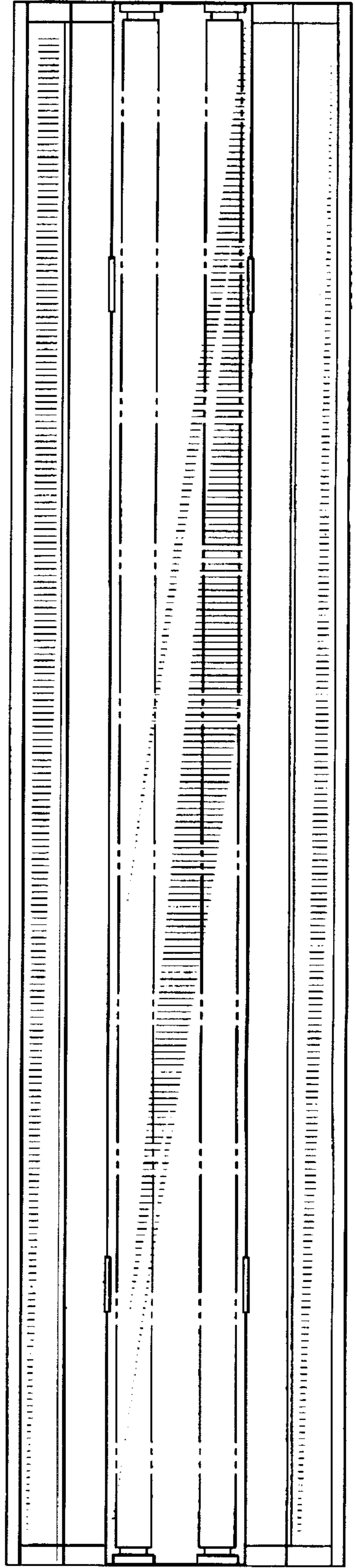


FIG. 8

