



US00D385374S

United States Patent [19] Shalvi

[11] Patent Number: **Des. 385,374**

[45] Date of Patent: ****Oct. 21, 1997**

[54] **LAMP**
[75] Inventor: **Ram Shalvi, Hong Kong, Hong Kong**
[73] Assignee: **Solar Wide Industrial Ltd., Hong Kong, Hong Kong**
[**] Term: **14 Years**
[21] Appl. No.: **53,295**
[22] Filed: **Apr. 19, 1996**
[30] **Foreign Application Priority Data**

Oct. 20, 1995 [GB] United Kingdom 2051340

[51] **LOC (6) Cl.** **26-05**

[52] **U.S. Cl.** **D26/68; D26/112**

[58] **Field of Search** **D26/67-71, 72, D26/85, 87, 91, 92, 93, 104, 110, 112; 362/153, 153.1, 431, 363, 410-414**

[56] **References Cited**

U.S. PATENT DOCUMENTS

D. 158,821 5/1950 Walter D26/68

D. 211,278 6/1968 Bobrick D26/68

FOREIGN PATENT DOCUMENTS

168070 2/1906 Germany 362/363

Primary Examiner—Susan J. Lucas
Attorney, Agent, or Firm—Ostrolenk, Faber, Gerb & Soffen, LLP

[57] **CLAIM**

The ornamental design for a lamp, as shown and described.

DESCRIPTION

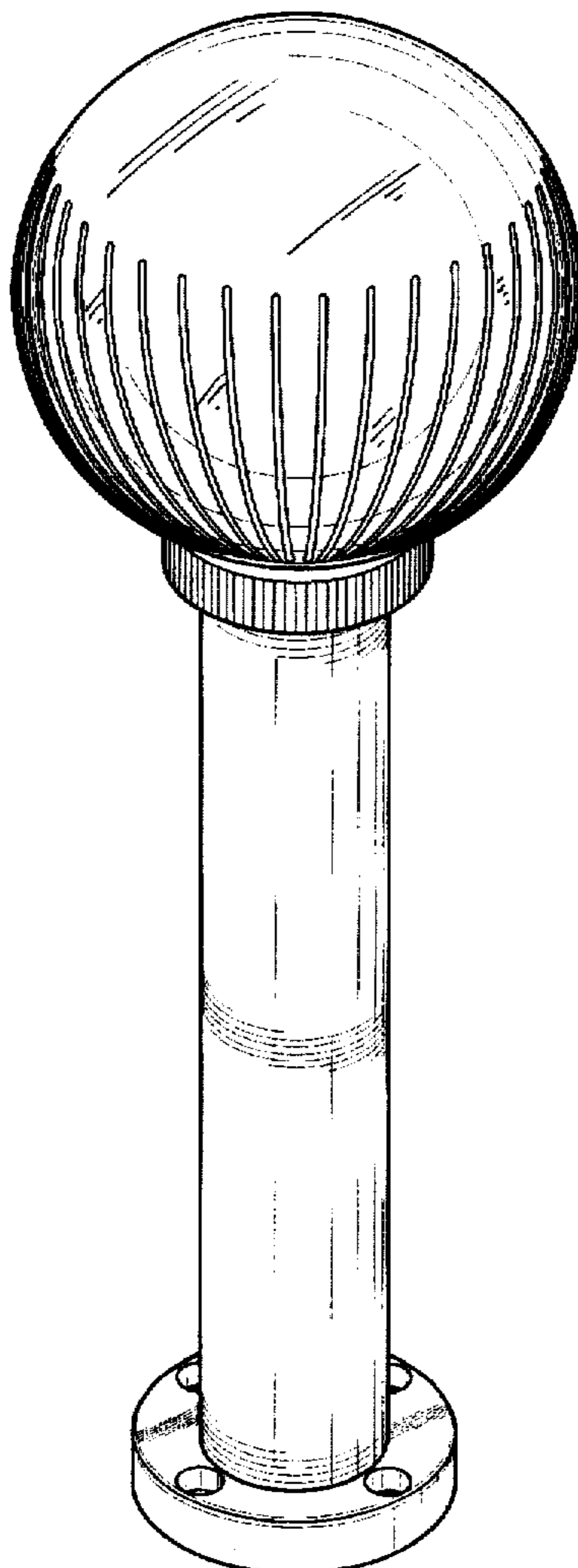
FIG. 1 is a top and side perspective view of a lamp showing my new design;

FIG. 2 is a side elevational view thereof (all sides correspond);

FIG. 3 is a top plan view thereof; and,

FIG. 4 is a bottom plan view thereof.

1 Claim, 3 Drawing Sheets



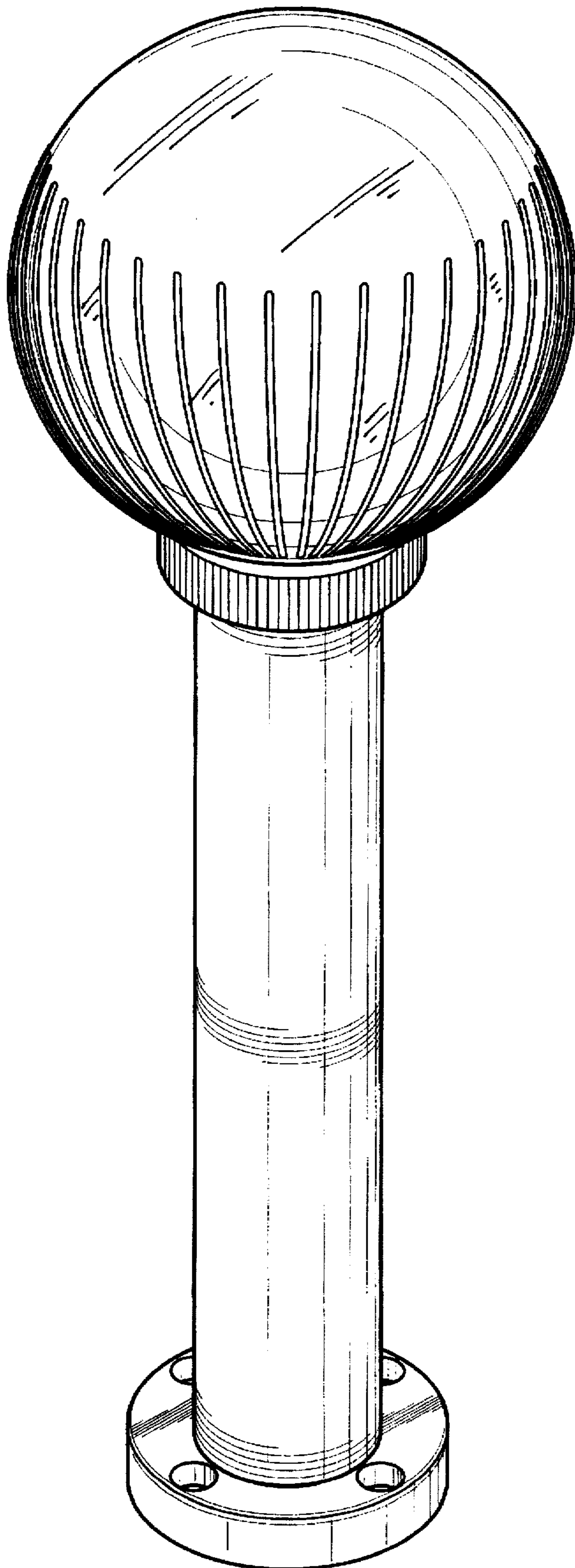


FIG. 1

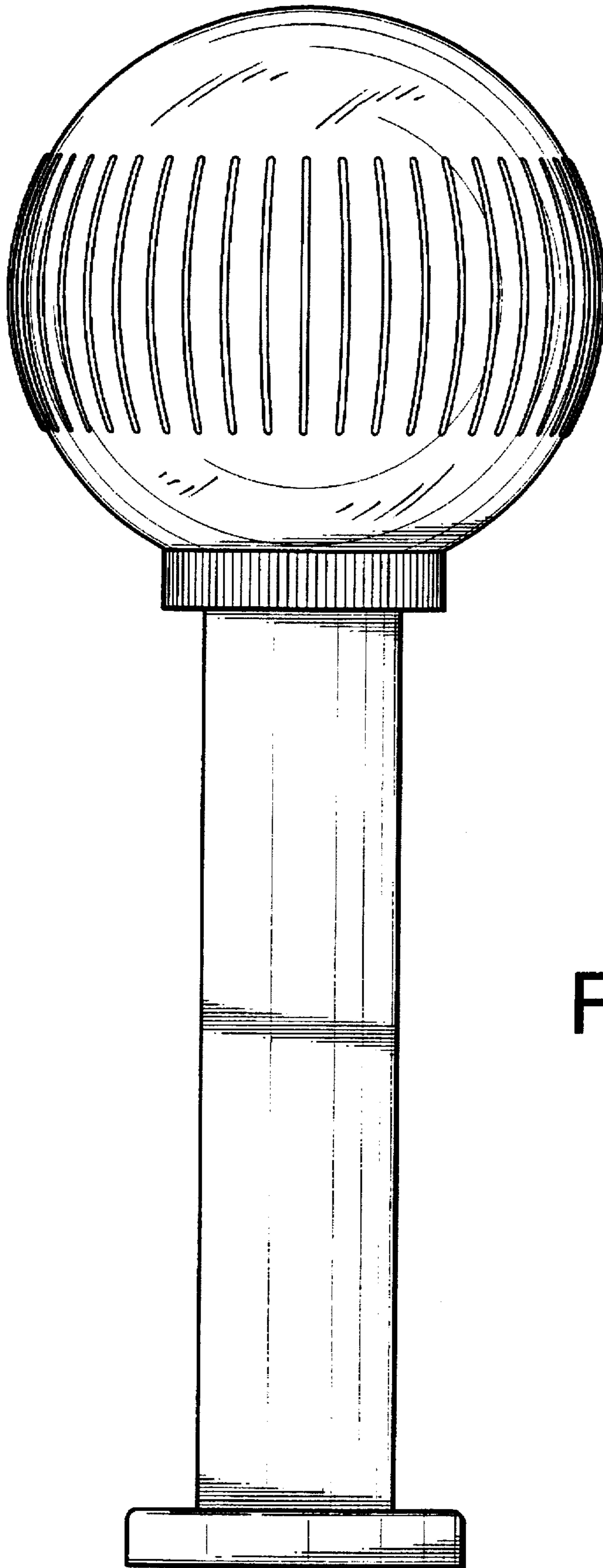


FIG. 2

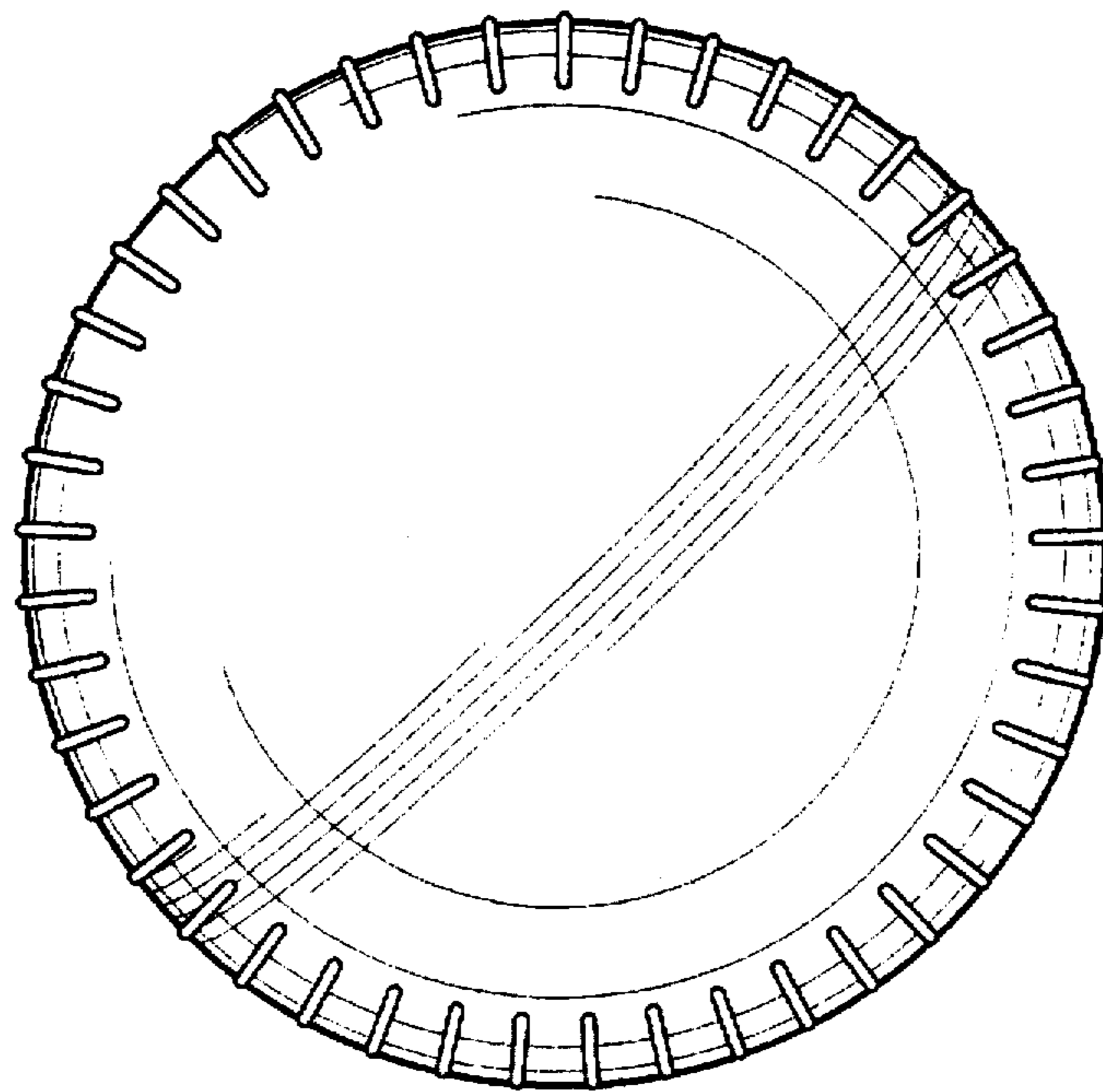


FIG. 3

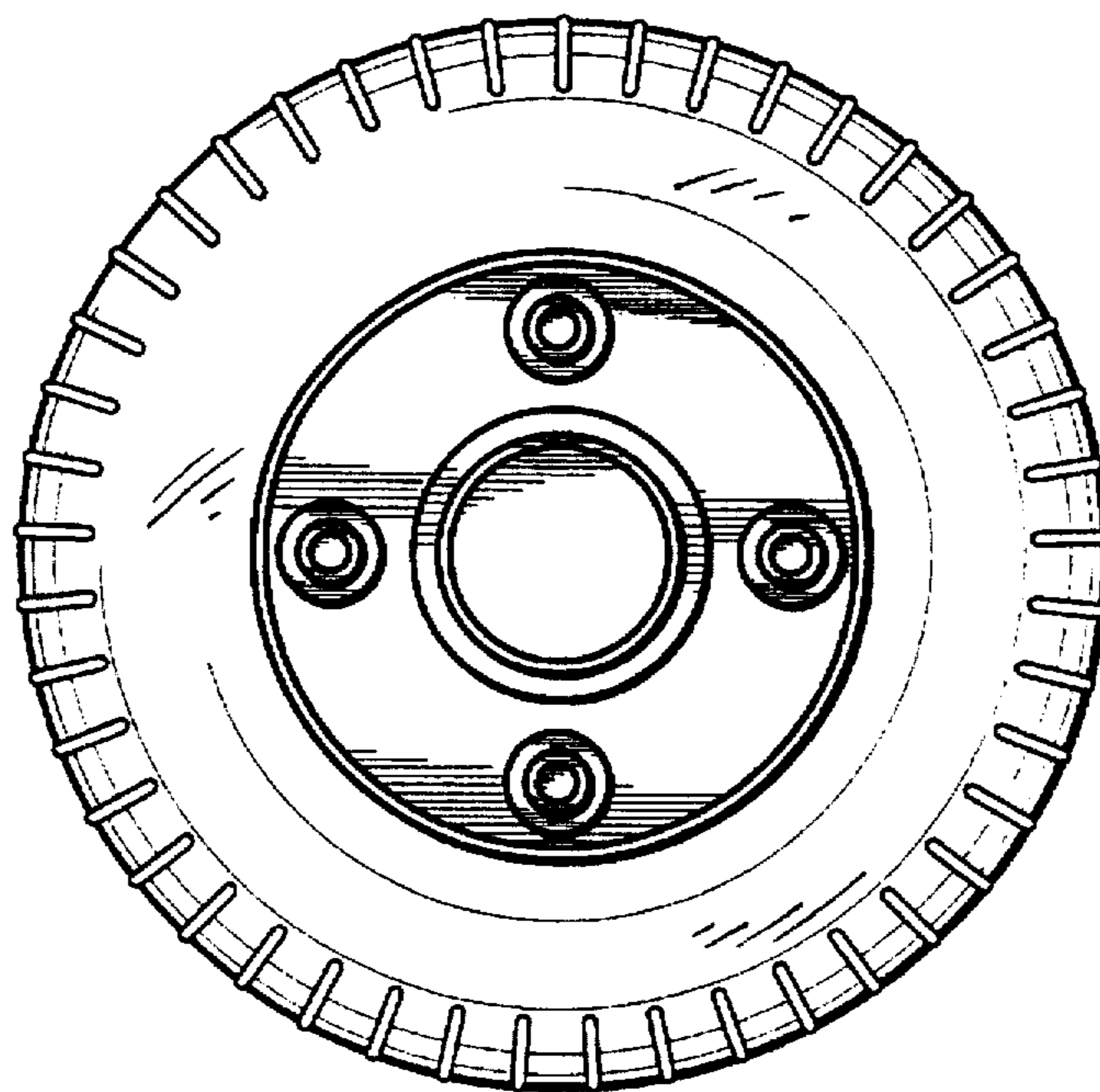


FIG. 4