



US00D385373S

**United States Patent** [19]  
**Wong**

[11] **Patent Number:** **Des. 385,373**  
[45] **Date of Patent:** **\*\*Oct. 21, 1997**

[54] **STROBE LIGHT**

D. 328,148 7/1992 Waldmann ..... D26/63  
D. 370,080 5/1996 Stultz ..... D26/63 X

[75] **Inventor:** **Kwan-Wing Wong, Kowloon Bay, Hong Kong**

*Primary Examiner*—Susan J. Lucas  
*Attorney, Agent, or Firm*—Burns, Doane, Swecker & Mathis

[73] **Assignee:** **N.C.W. Enterprises Co., Ltd., Hong Kong, Hong Kong**

[\*\*] **Term:** **14 Years**

[57] **CLAIM**

The ornamental design for a “strobe light”, as shown and described.

[21] **Appl. No.:** **56,328**

[22] **Filed:** **Jun. 26, 1996**

**DESCRIPTION**

[51] **LOC (6) Cl.** ..... **26-05**

[52] **U.S. Cl.** ..... **D26/63**

[58] **Field of Search** ..... **D26/24, 63, 65;**  
**362/147, 269, 275, 287, 418, 419, 427**

FIG. 1 is a front view of a “strobe light” showing our designs;

FIG. 2 is a rear view thereof;

FIG. 3 is a top plan view thereof;

FIG. 4 is a bottom plan view thereof;

FIG. 5 is a left side elevational view thereof;

FIG. 6 is a right side elevational view thereof; and,

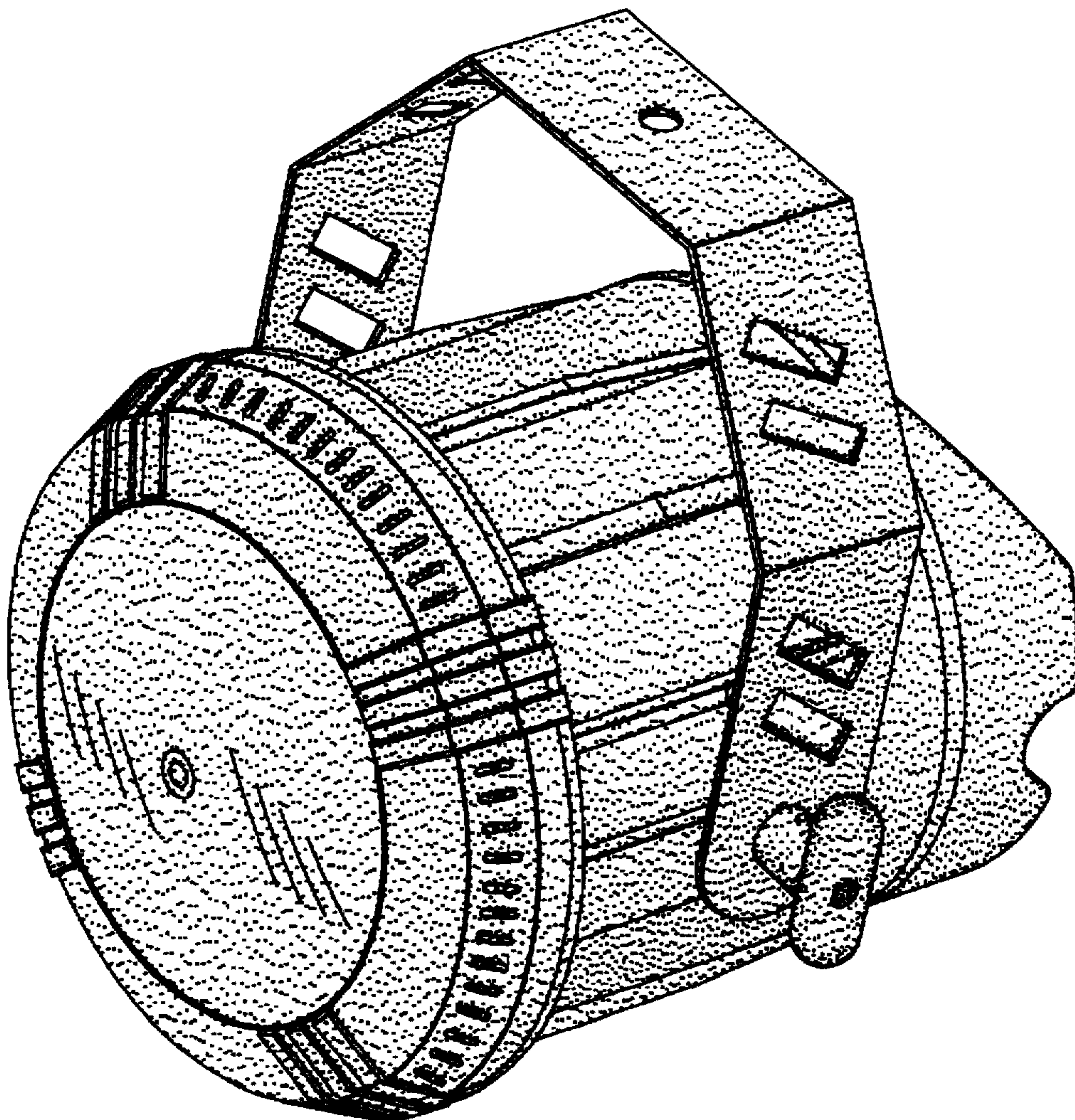
FIG. 7 is a perspective view thereof.

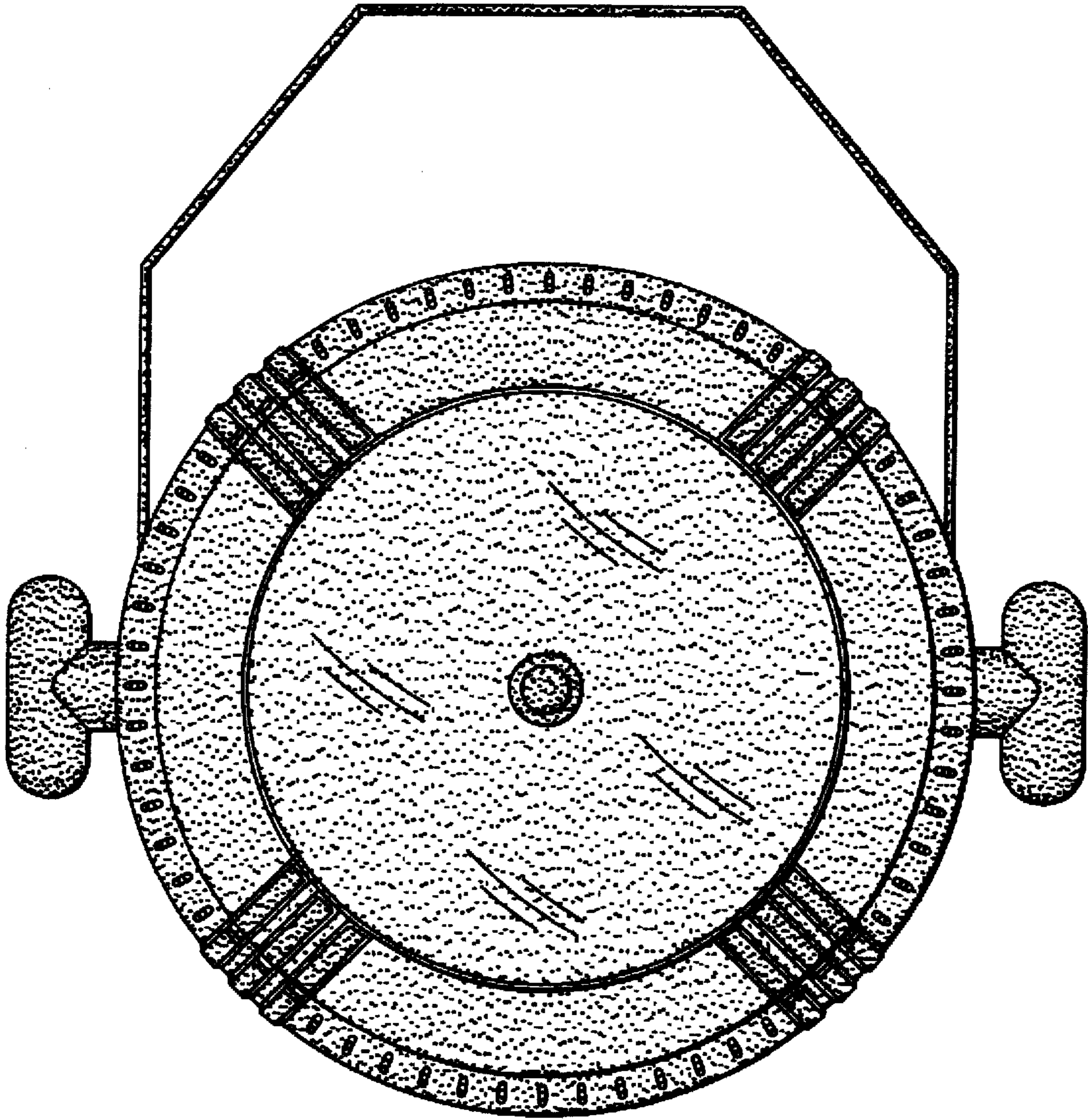
[56] **References Cited**

**U.S. PATENT DOCUMENTS**

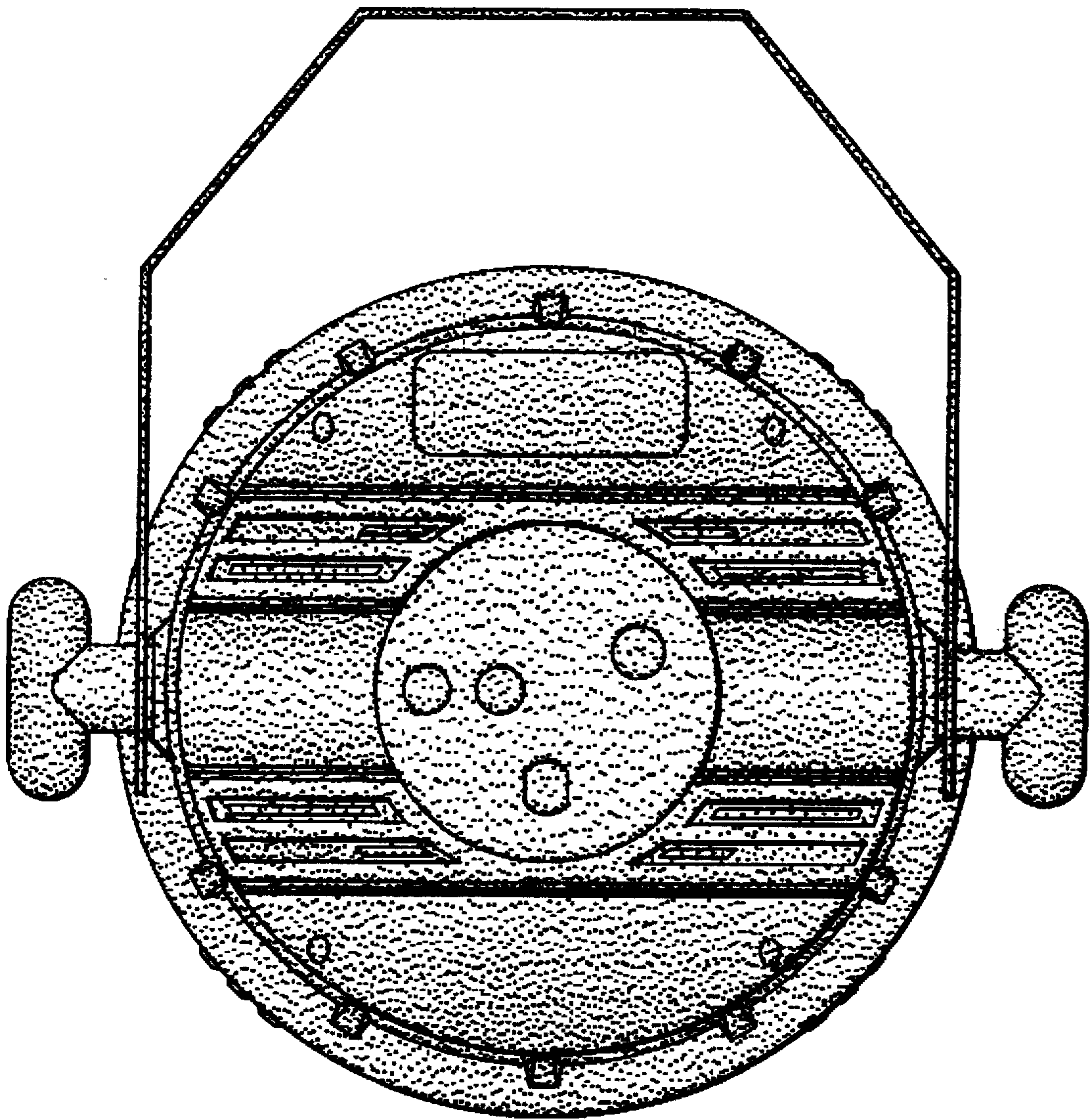
D. 276,559 11/1984 Krokaugger ..... D26/63  
D. 316,305 4/1991 Court ..... D26/63

**1 Claim, 7 Drawing Sheets**





**FIG. 1**



**FIG. 2**

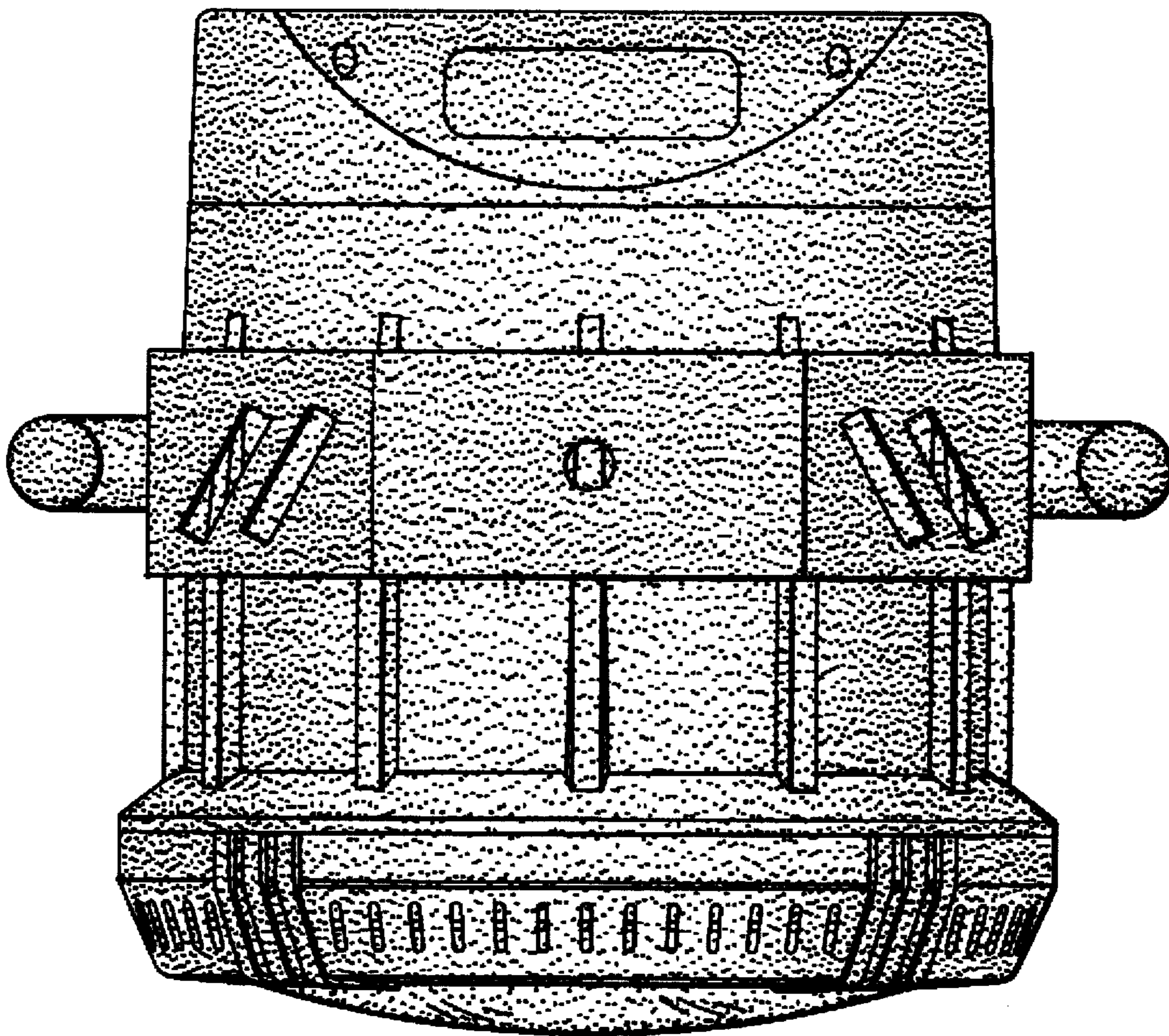


FIG. 3

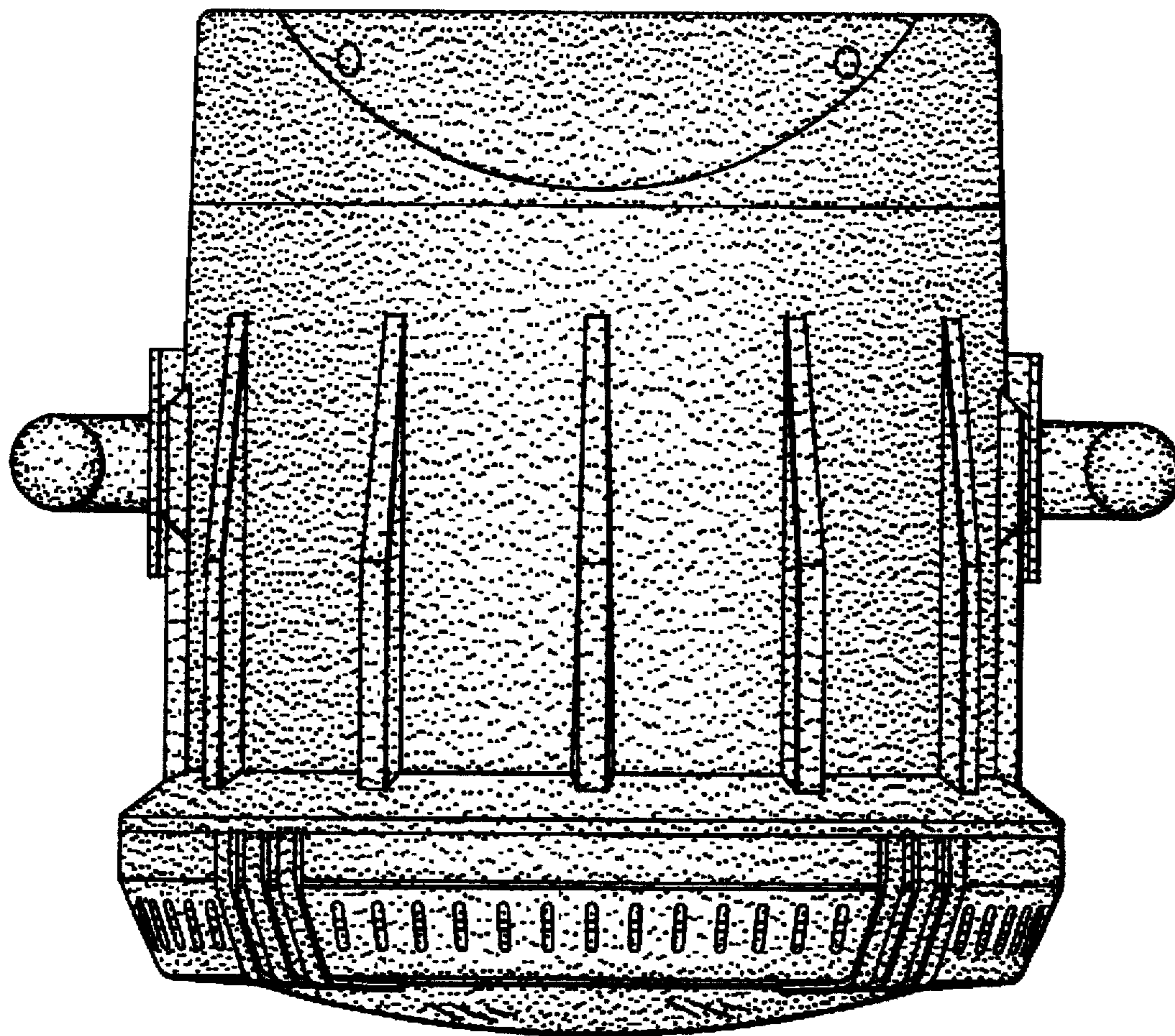


FIG. 4

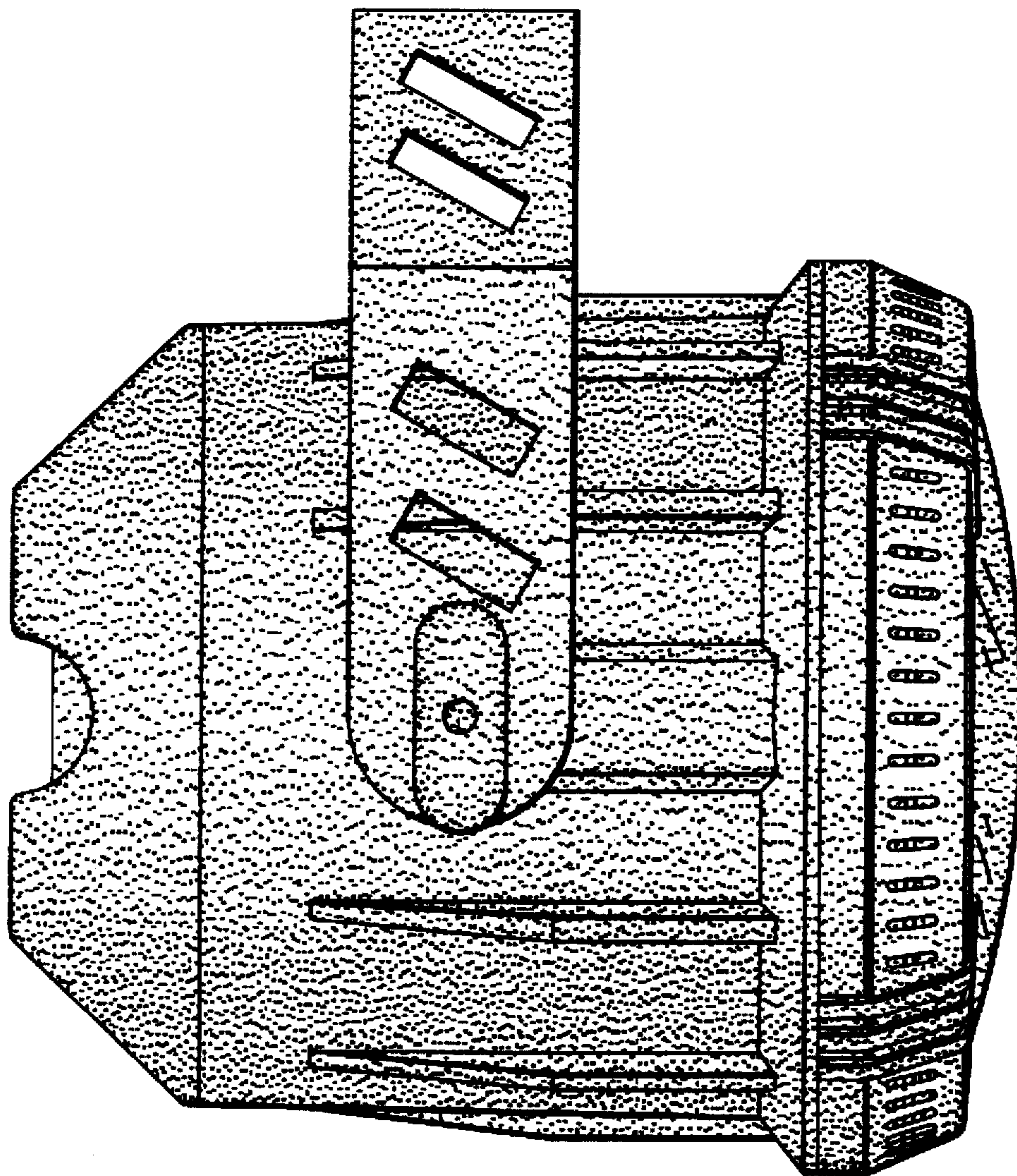
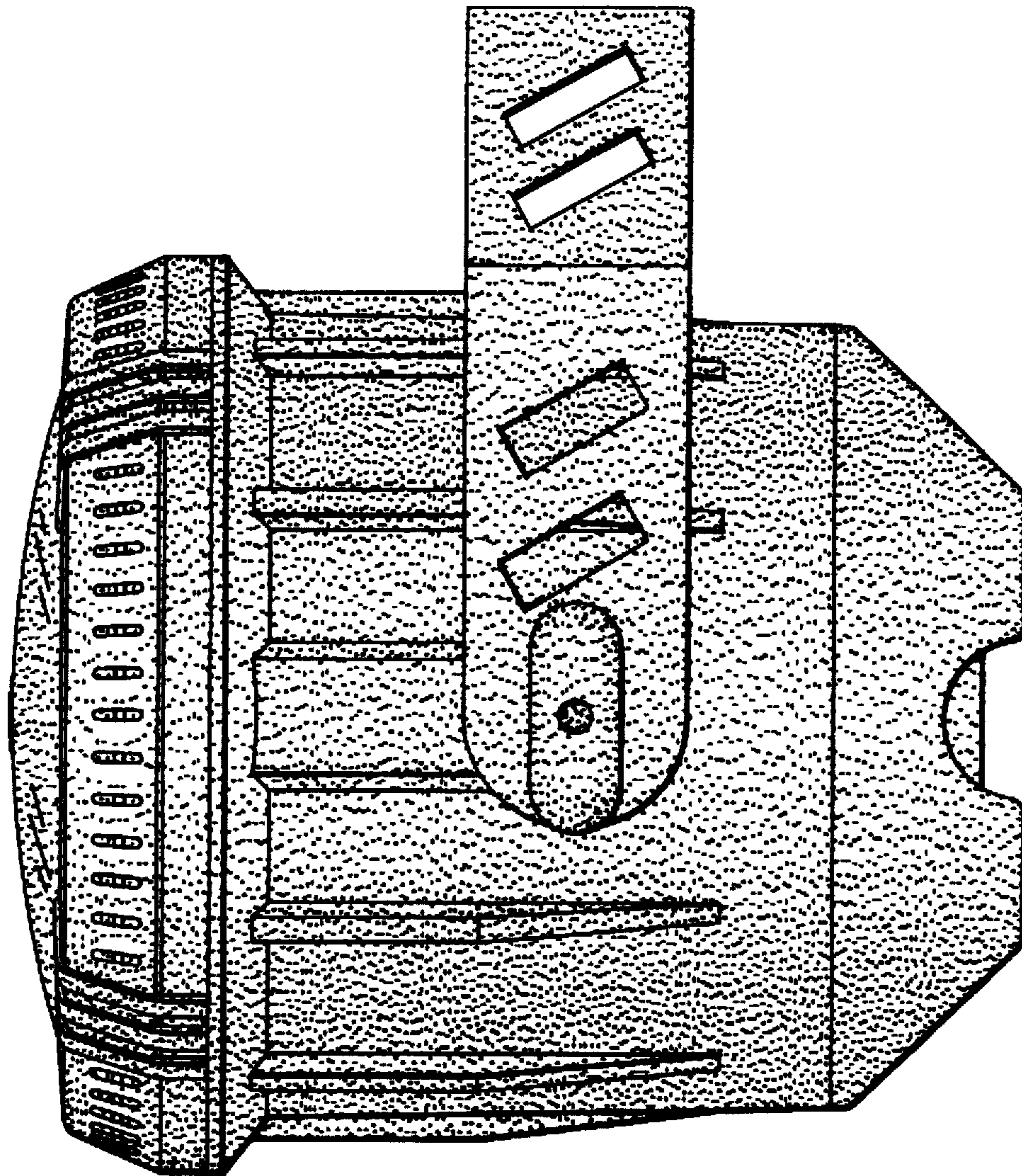


FIG. 5



**FIG. 6**

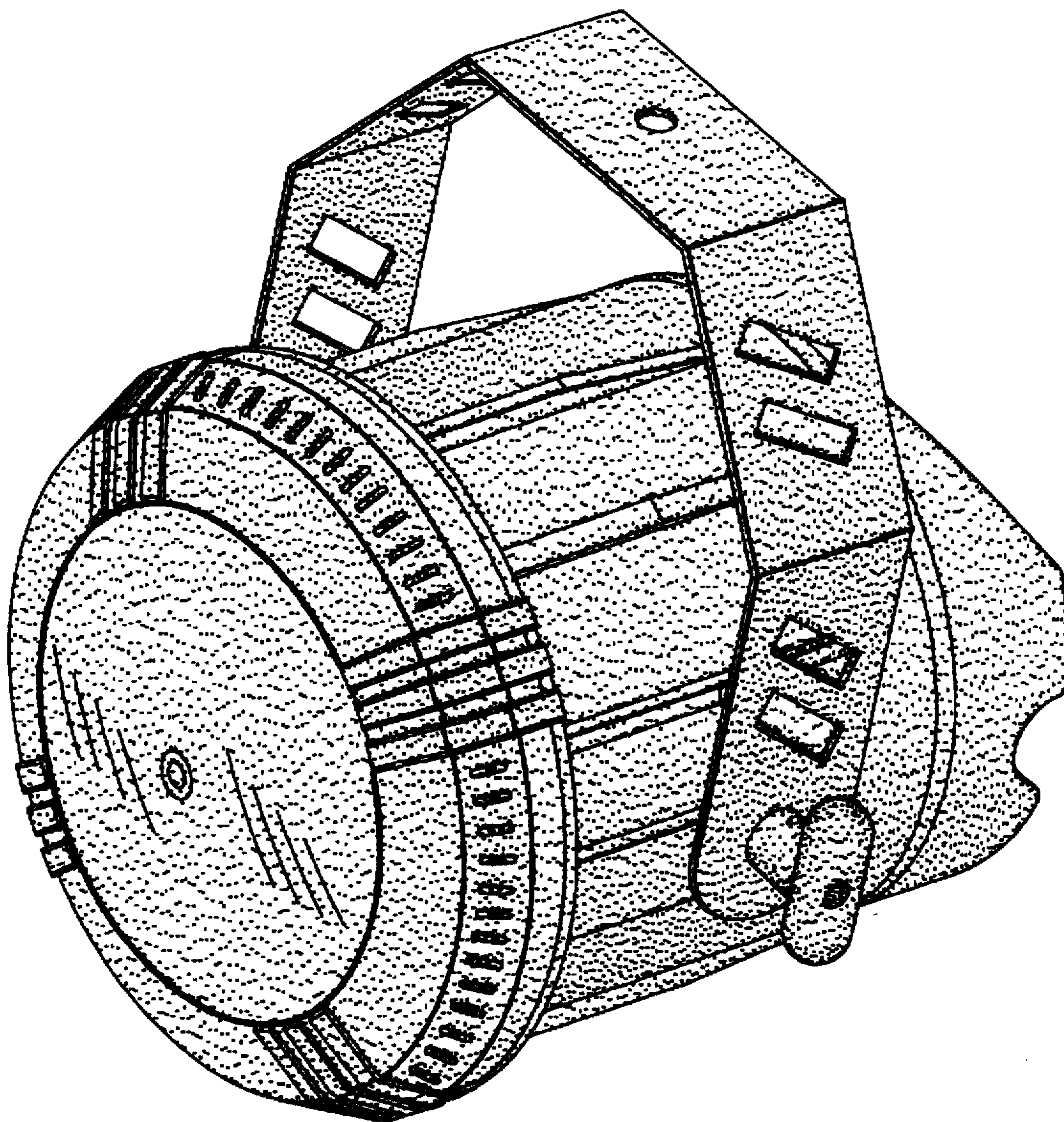


FIG. 7