

US00D385370S

**United States Patent** [19]  
**Moore**

[11] **Patent Number: Des. 385,370**

[45] **Date of Patent: \*\*Oct. 21, 1997**

[54] **VEHICLE COURTESY LAMP**

[76] **Inventor: Dennis G. Moore, 2602 Superior, Livermore, Calif. 94550**

[\*\*] **Term: 14 Years**

[21] **Appl. No.: 59,988**

[22] **Filed: Sep. 19, 1996**

[51] **LOC (6) Cl. .... 26-06**

[52] **U.S. Cl. .... D26/28**

[58] **Field of Search .... D26/28-35; D10/114; 362/61, 80, 80.1, 81, 82, 83, 83.2, 83.3, 227, 235, 236, 240, 243, 362**

[56] **References Cited**

**U.S. PATENT DOCUMENTS**

- D. 217,693 5/1970 Lee ..... D26/28
- D. 220,360 3/1971 Rossi ..... D26/28
- D. 246,131 10/1977 Schifrin ..... D26/28
- D. 269,210 5/1983 Cutlip et al. .... D26/28
- D. 293,133 12/1987 Wood ..... D26/28

- D. 315,217 3/1991 Gordon ..... D26/28
- D. 334,821 4/1993 Morgan ..... D26/28

*Primary Examiner*—Marcus A. Jackson  
*Attorney, Agent, or Firm*—August E. Roehrig, Jr.

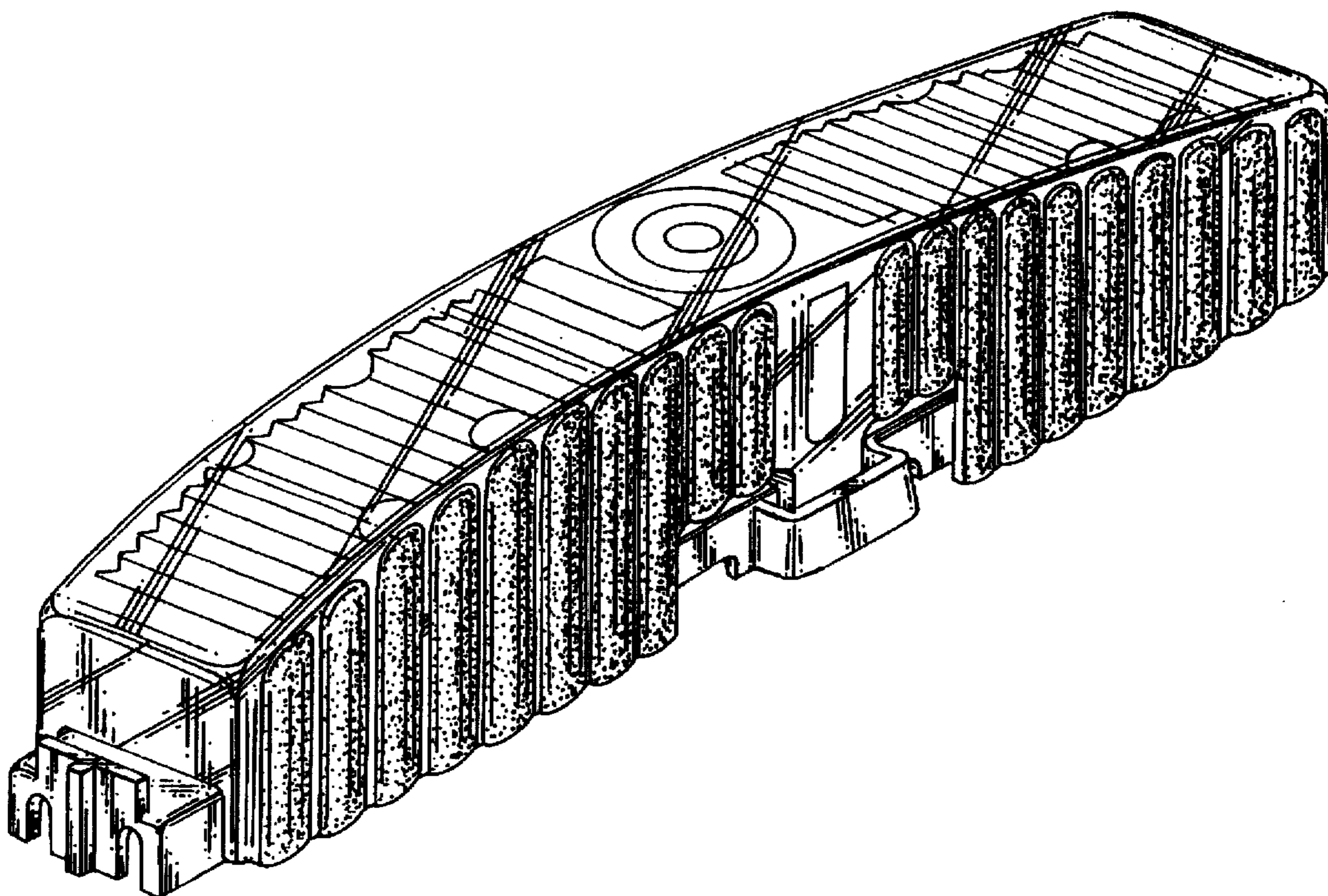
[57] **CLAIM**

The ornamental design for a vehicle courtesy lamp, as shown and described.

**DESCRIPTION**

FIG. 1 is a front perspective view of the vehicle courtesy lamp of my invention;  
 FIG. 2 is a front elevational view of the vehicle courtesy lamp illustrated in FIG. 1;  
 FIG. 3 is a bottom plan view of the vehicle courtesy lamp illustrated in FIG. 1, the top plan view being a mirror image thereof;  
 FIG. 4 is a rear plan view of the vehicle courtesy lamp illustrated in FIG. 1; and,  
 FIG. 5 is an end elevational view of the left side of my vehicle courtesy lamp, the right side being a mirror image thereof.

**1 Claim, 2 Drawing Sheets**



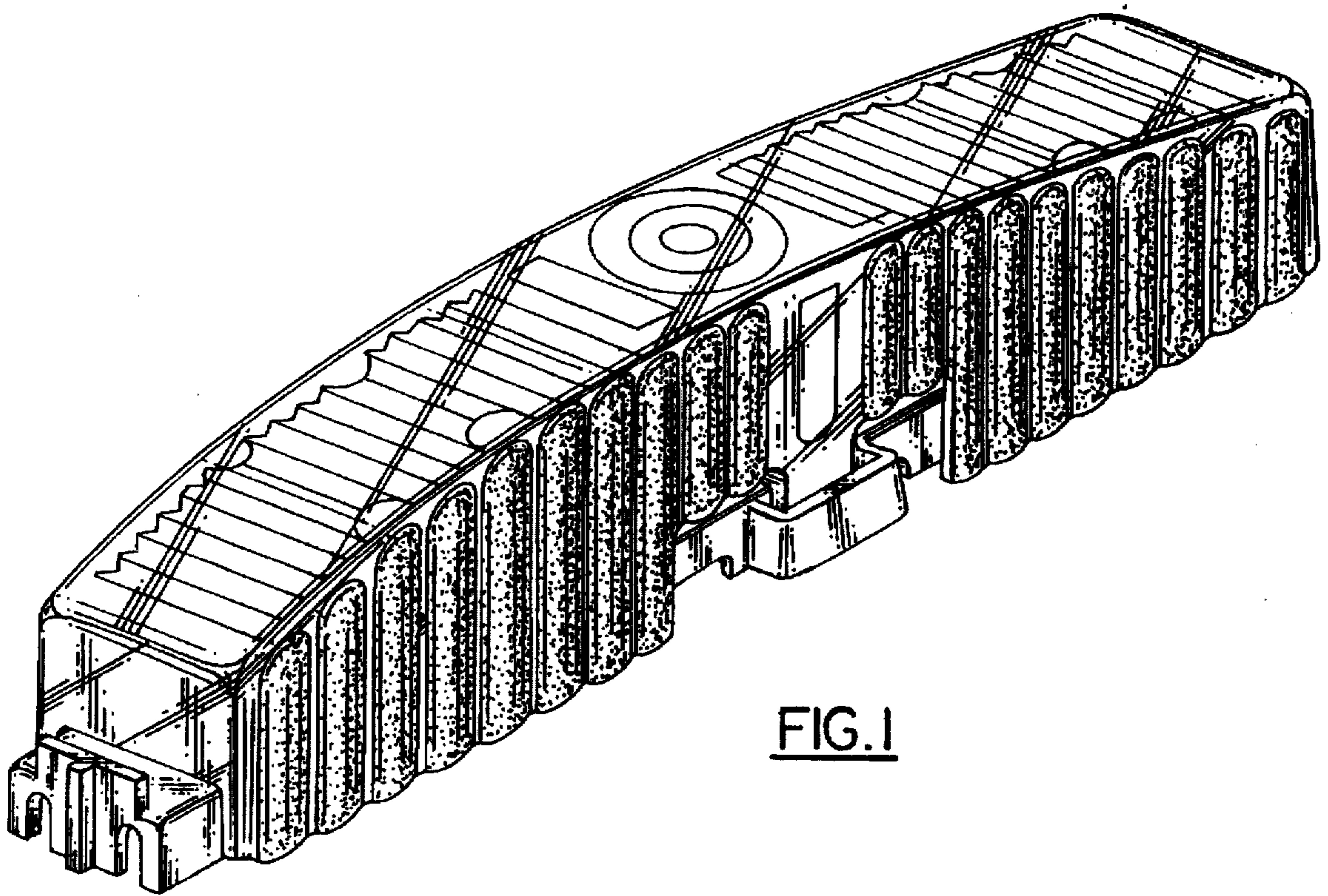


FIG. 1

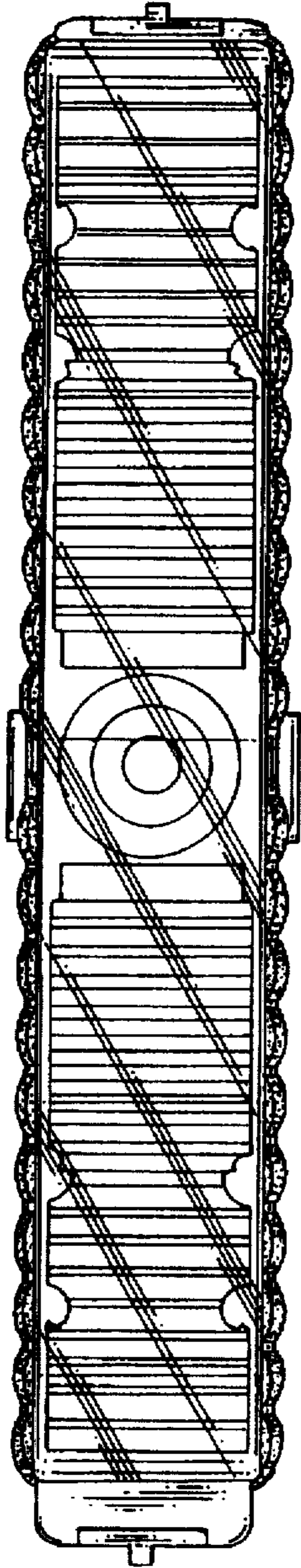


FIG. 2

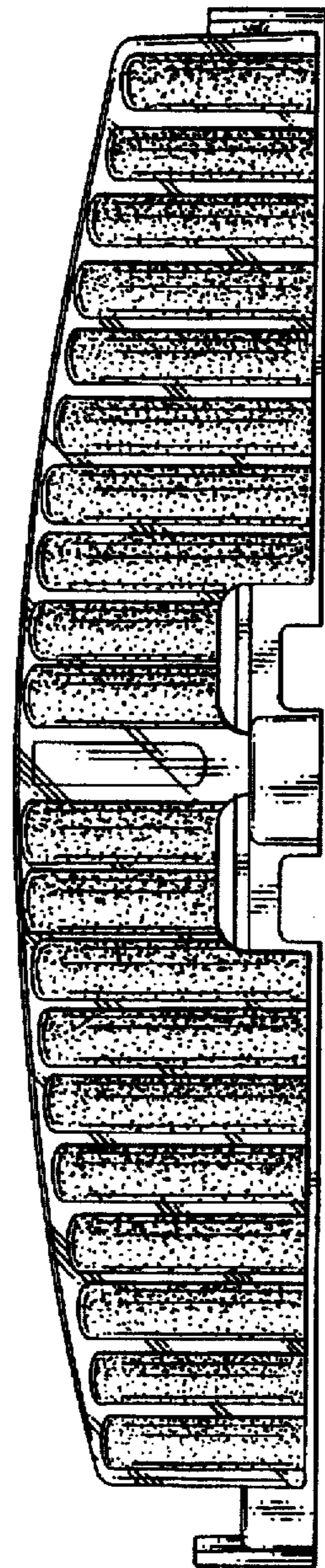


FIG. 3

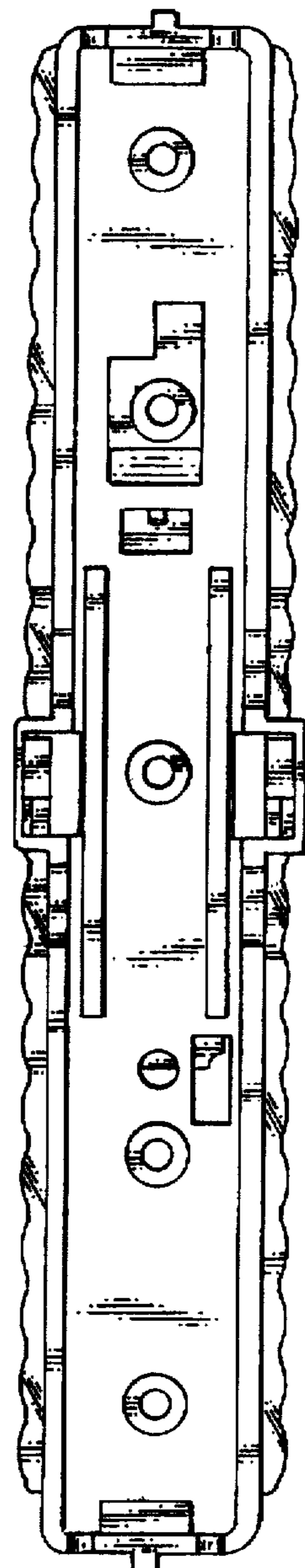


FIG. 4

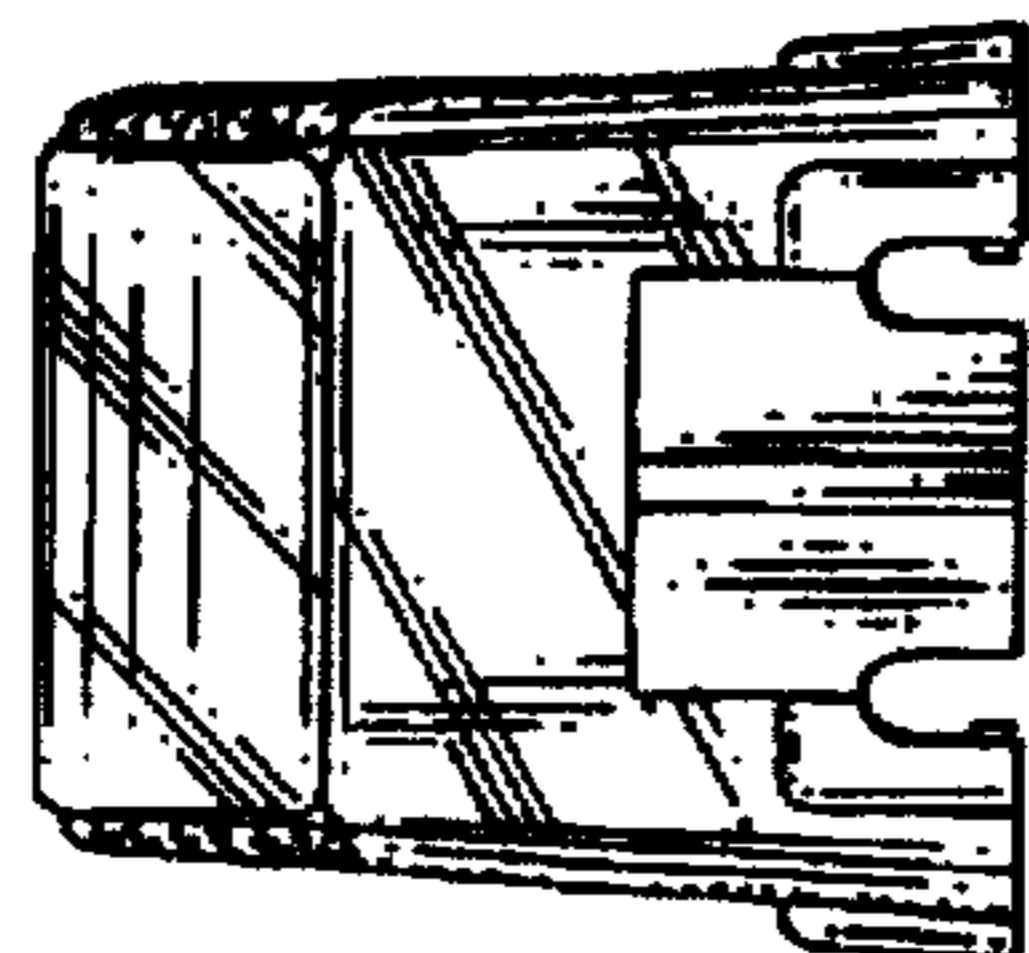


FIG. 5