



US00D385366S

**United States Patent** [19]  
**Paulmann**

[11] **Patent Number: Des. 385,366**

[45] **Date of Patent: \*\*Oct. 21, 1997**

[54] **HALOGEN LAMP**

[76] **Inventor: Rudiger Darius Paulmann, Wehweg 5, D-3015 Wenningsen, Germany**

[\*\*] **Term: 14 Years**

[21] **Appl. No.: 10,689**

[22] **Filed: Jul. 14, 1993**

D. 321,404	11/1991	Falini .....	D26/2
1,895,143	1/1933	Alderson .....	D26/2
3,889,154	6/1975	Thouret et al. ....	D26/2
5,298,834	3/1994	Oda et al. ....	D26/2

*Primary Examiner*—Marcus A. Jackson  
*Attorney, Agent, or Firm*—Darby & Darby

**Related U.S. Application Data**

[63] **Continuation-in-part of Ser. No. 3,935, Jan. 19, 1993.**

[30] **Foreign Application Priority Data**

Jul. 17, 1992 [DE] Germany ..... M 92 05185

[51] **LOC (6) Cl. .... 26-04**

[52] **U.S. Cl. .... D26/2**

[58] **Field of Search .... D26/1, 2, 3, 4;  
313/113, 116, 312-318, 484, 493, 619,  
631, 632, 643**

[57] **CLAIM**

The ornamental design for a halogen lamp, as shown and described.

**DESCRIPTION**

FIG. 1 is a front elevational view of a first embodiment of a halogen lamp showing my new design, the rear view being a mirror image thereof;

FIG. 2 is a right side elevational view thereof, the left side view being a mirror image thereof;

FIG. 3 is a top plan view thereof; and,

FIG. 4 is a bottom plan view thereof.

[56] **References Cited**

**U.S. PATENT DOCUMENTS**

D. 262,828 1/1982 Baird ..... D26/2

**1 Claim, 1 Drawing Sheet**

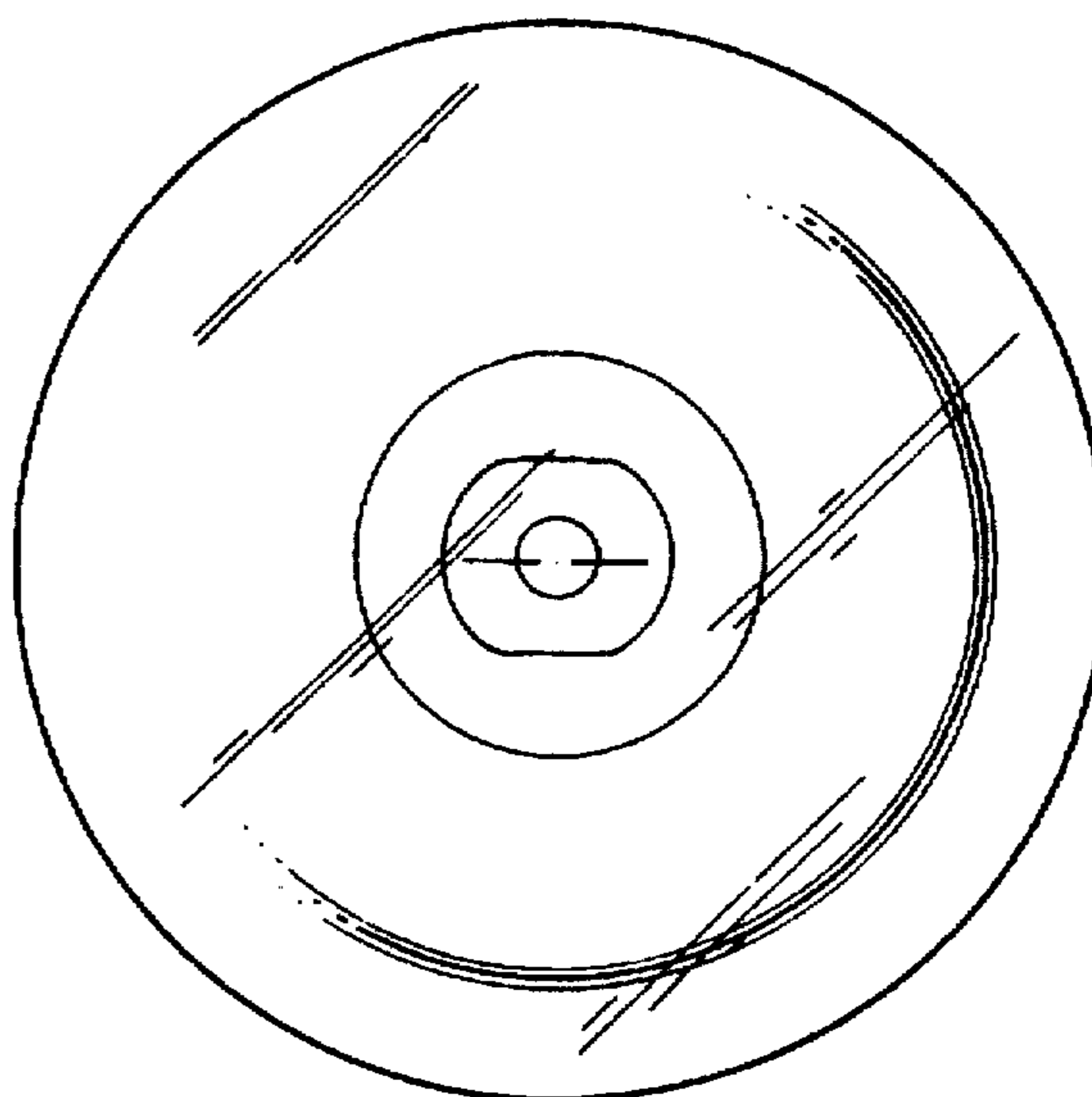
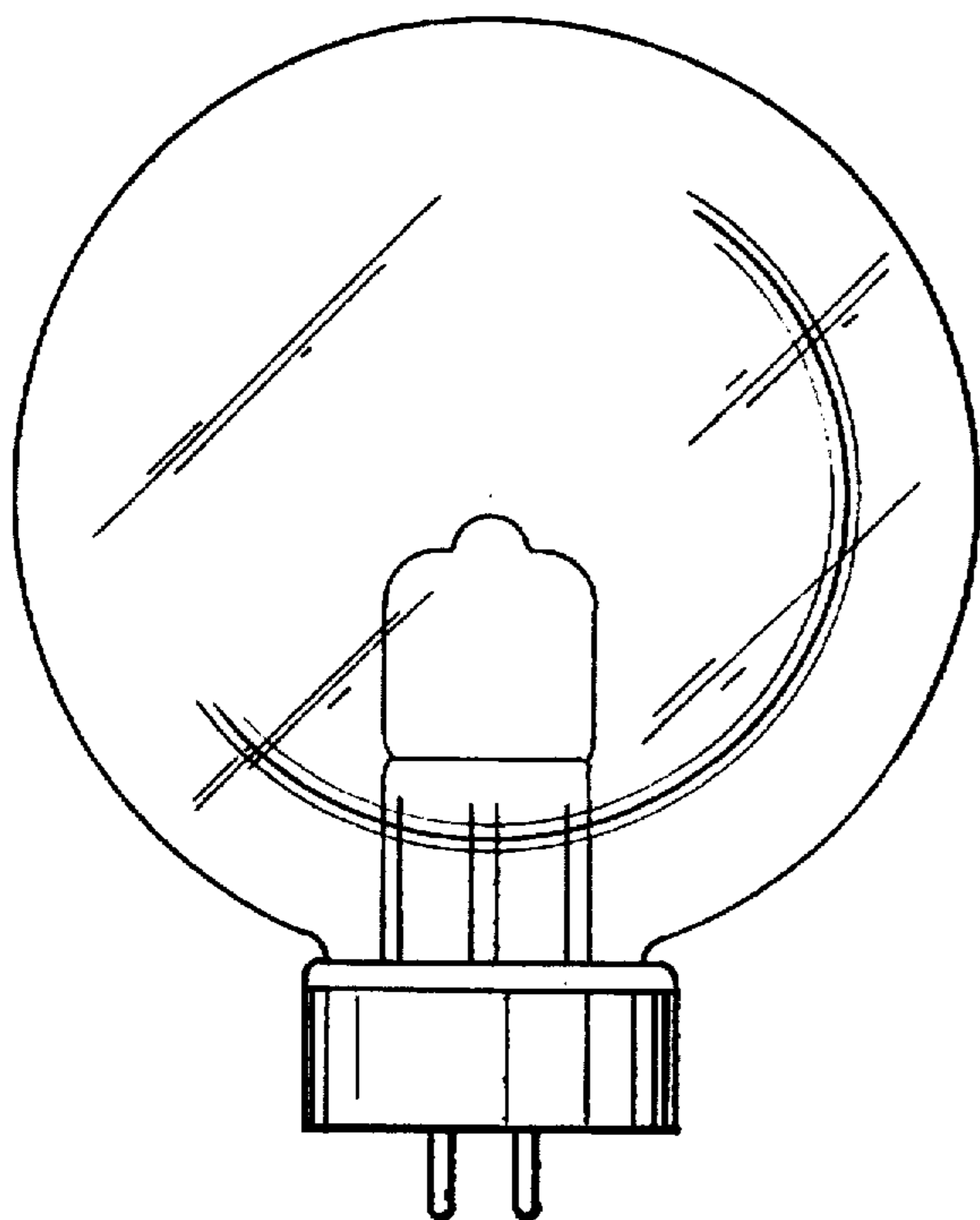


FIG. 1

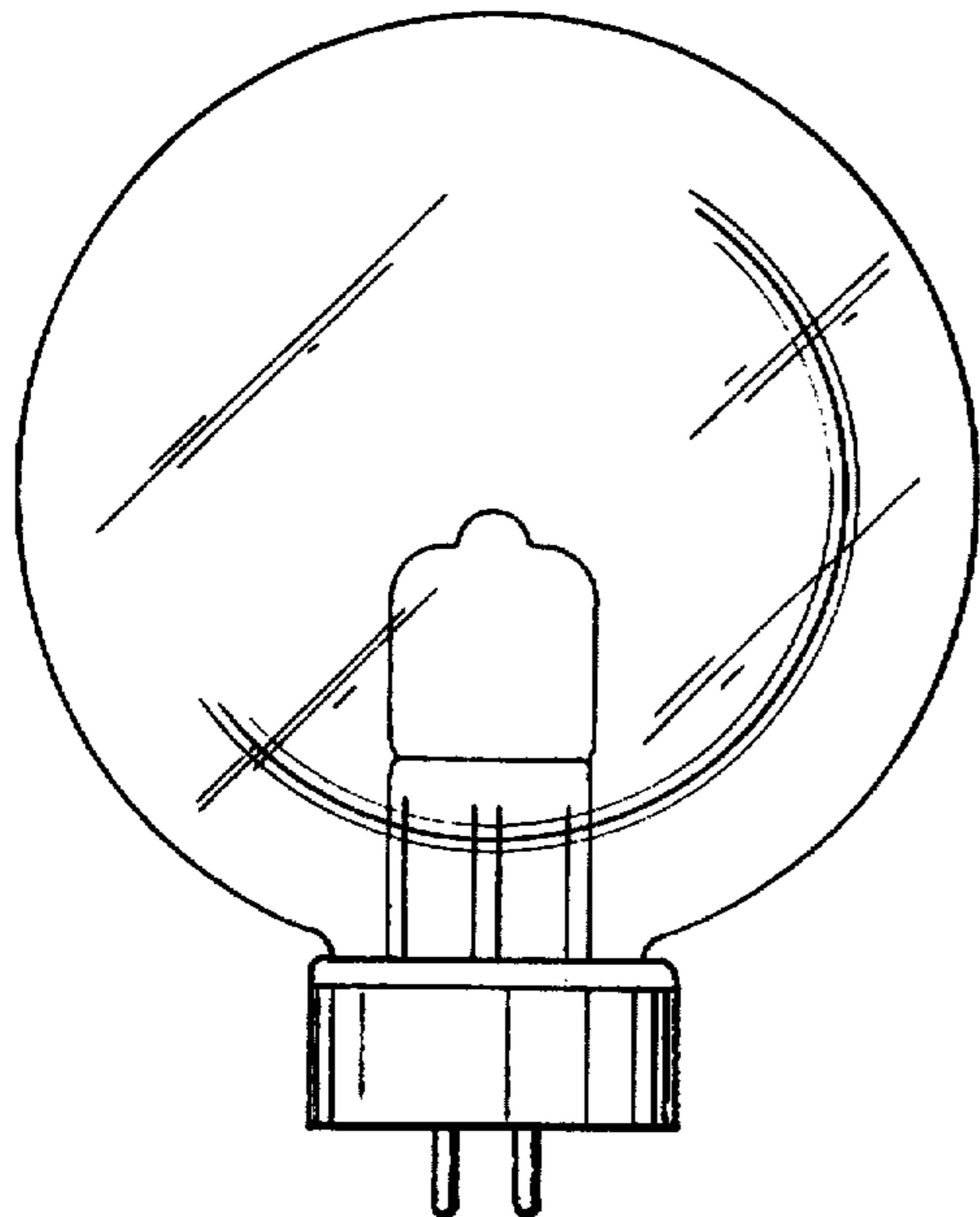


FIG. 2

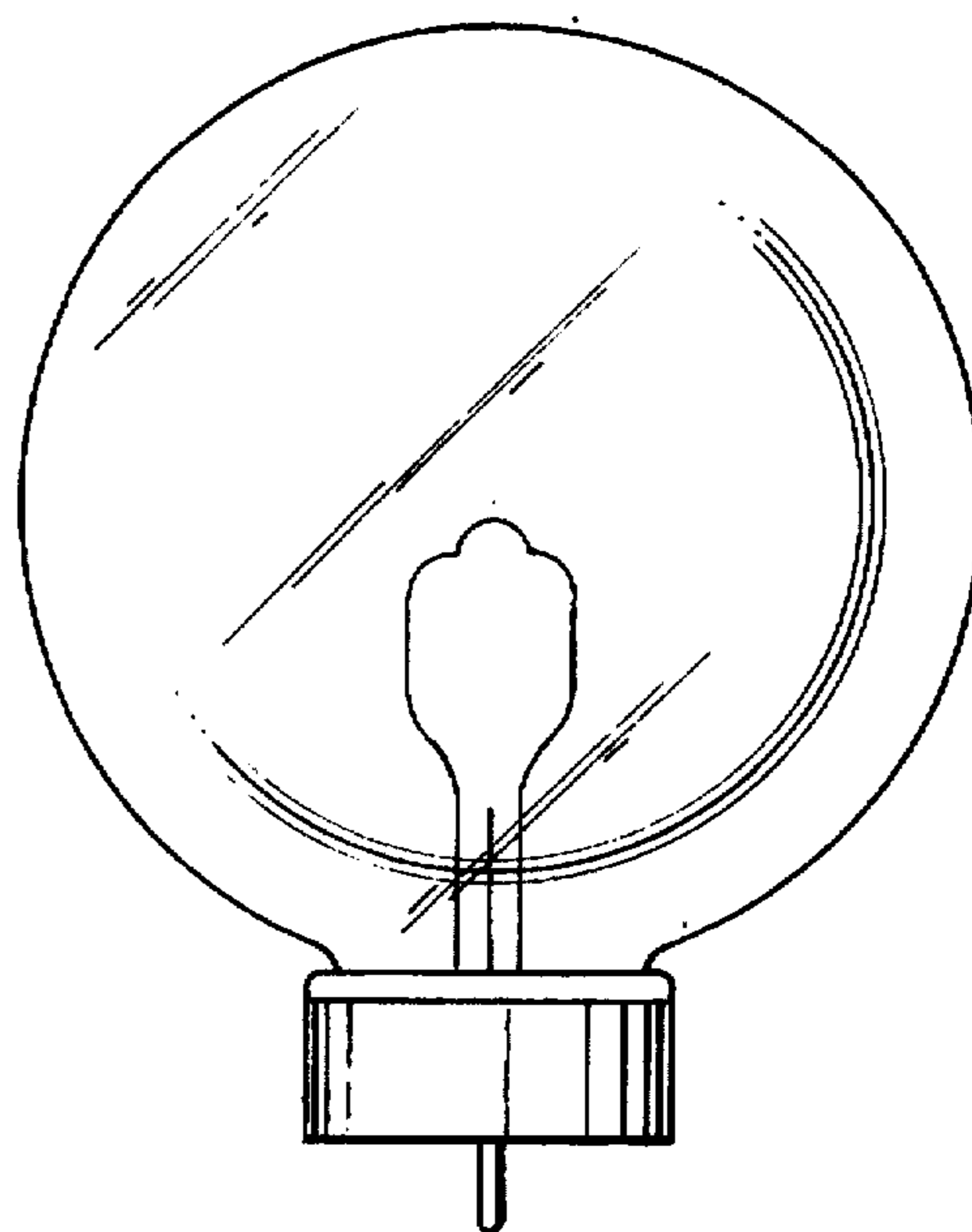


FIG. 3

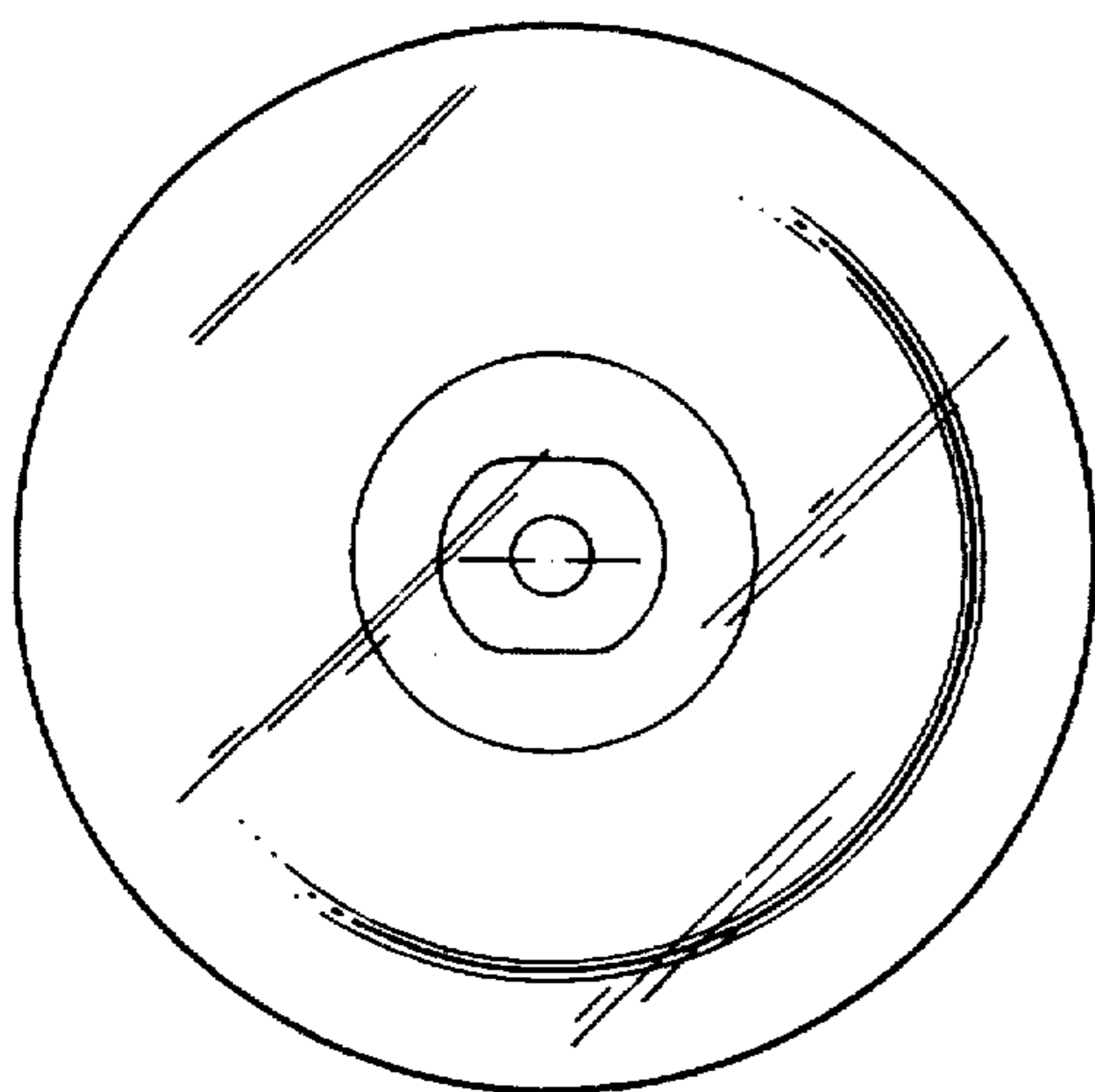
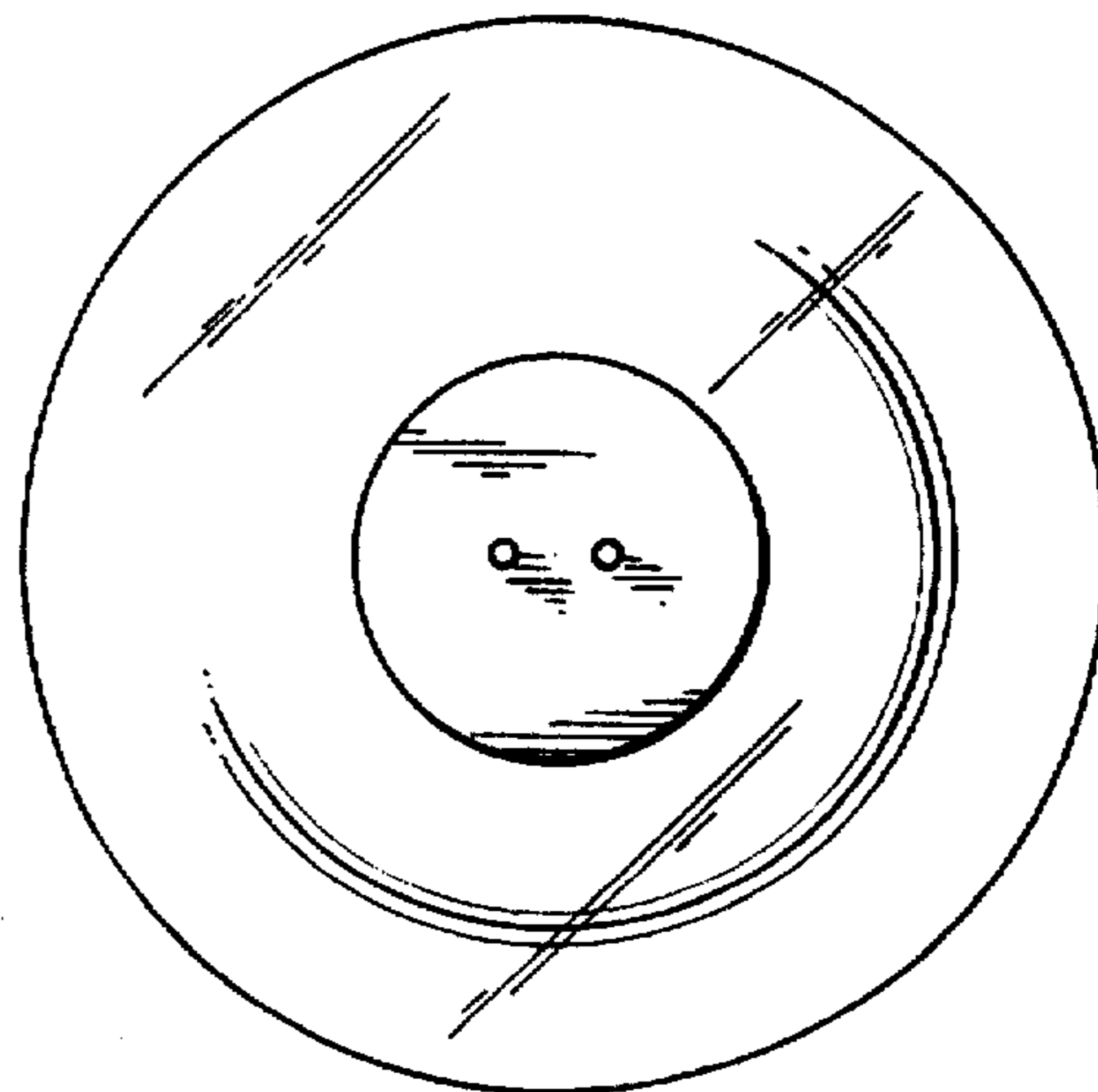


FIG. 4



UNITED STATES PATENT AND TRADEMARK OFFICE  
**CERTIFICATE OF CORRECTION**

PATENT NO. : Des. 385,366  
DATED : October 21, 1997  
INVENTOR(S) : Rudiger Darius PAULMANN

It is certified that error appears in the above-identified patent and that said Letters Patent is hereby corrected as shown below:

On title page, item [76], Inventor, change "Wenningsen"  
to --Wennigsen--.

Signed and Sealed this  
Third Day of March, 1998

Attest:



BRUCE LEHMAN

Attesting Officer

Commissioner of Patents and Trademarks