



US00D385363S

United States Patent [19]
Sølbeck

[11] **Patent Number:** **Des. 385,363**
[45] **Date of Patent:** ****Oct. 21, 1997**

[54] **BUILDING ELEMENT FOR SEALING
AROUND AN APERTURE IN AN
UNDERROOF**

[75] **Inventor:** **Peter Sølbeck**, Rungsted Kyst,
Denmark

[73] **Assignee:** **Polysheet A/S**, Herlev, Denmark

[**] **Term:** **14 Years**

[21] **Appl. No.:** **43,684**

[22] **Filed:** **Sep. 11, 1995**

[30] **Foreign Application Priority Data**

Apr. 12, 1995 [DK] Denmark 0340 1995

[51] **LOC (6) Cl.** **25-02**

[52] **U.S. Cl.** **D25/60**

[58] **Field of Search** 285/43, 44; D25/35,
D25/60, 61, 56, 199; 52/200, 72, 202, 308

[56] **References Cited**

U.S. PATENT DOCUMENTS

130,539	8/1872	Rothe	285/43
525,057	8/1894	Partlow	285/43
725,291	4/1903	Stewart	285/43
1,145,598	7/1915	Laboudige	285/44
2,800,850	7/1957	McKann	285/44
3,098,663	7/1963	Dibley	285/43
3,945,163	3/1976	Nagler et al.	285/44
5,297,371	3/1994	Borghetto	52/308

FOREIGN PATENT DOCUMENTS

64598 10/1989 Canada .

0330 1994	3/1995	Denmark .
0869 1994	7/1995	Denmark .
87250	8/1992	Finland .
494849	3/1930	Germany .
30 23 037	1/1982	Germany .
33 21 191	12/1983	Germany .
34 43 276	6/1985	Germany .
39 22 624	5/1990	Germany .
9528537	10/1995	WIPO .

Primary Examiner—Doris Clark
Attorney, Agent, or Firm—Merchant, Gould, Smith, Edell,
Welter & Schmidt, P.A.

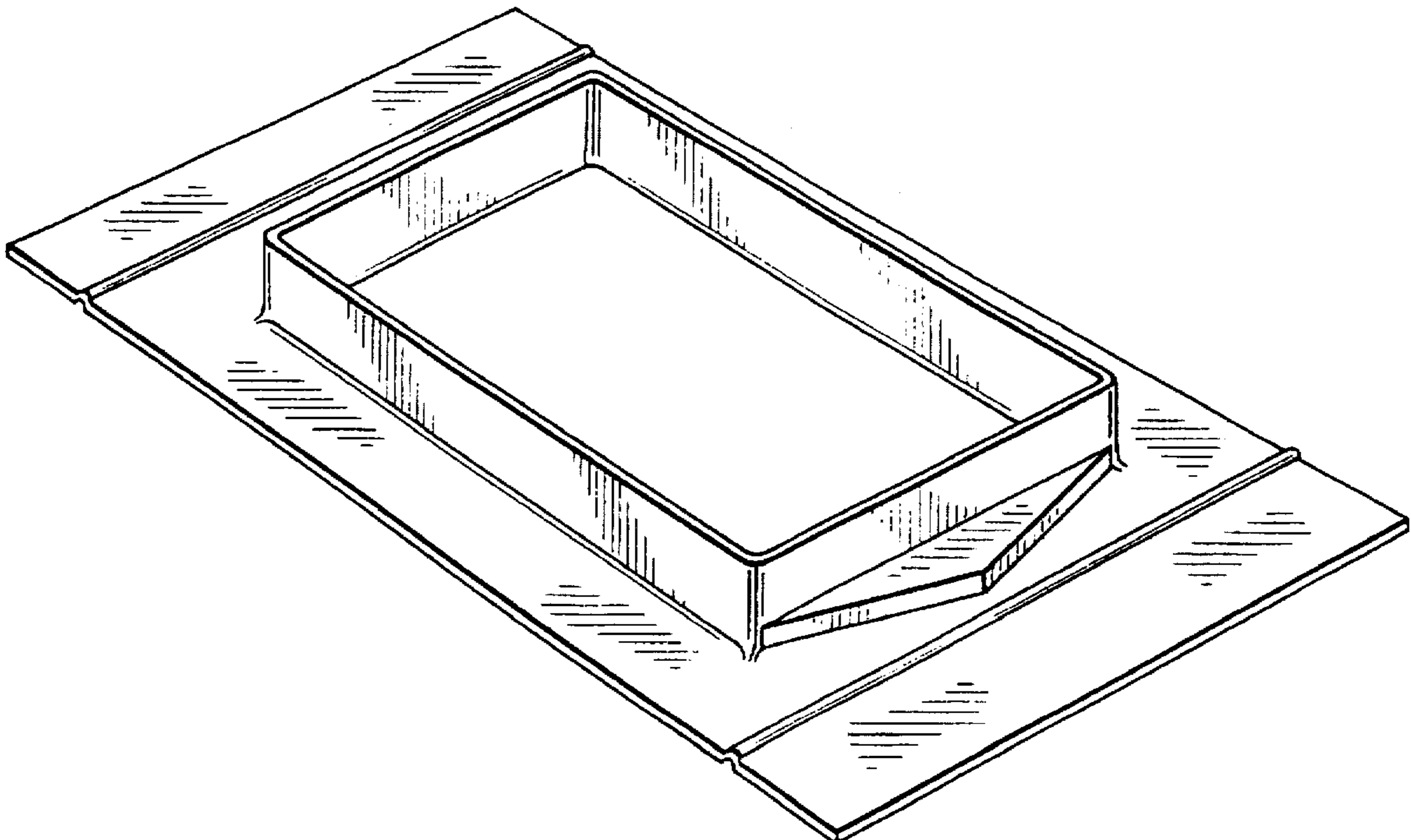
[57] **CLAIM**

The ornamental design for a building element for sealing around an aperture in an underroof, as shown.

DESCRIPTION

FIG. 1 is a top view of my invention;
FIG. 2 is a bottom view thereof;
FIG. 3 is a right side view thereof;
FIG. 4 is a left side view thereof;
FIG. 5 is a front elevational view thereof;
FIG. 6 is a rear elevational view thereof;
FIG. 7 is a perspective view thereof, taken from the top, front, and right side;
FIG. 8 is a perspective view thereof, taken from the bottom, front, and left side; and,
FIG. 9 is a perspective view thereof, taken from the top, rear, and right side.

1 Claim, 4 Drawing Sheets



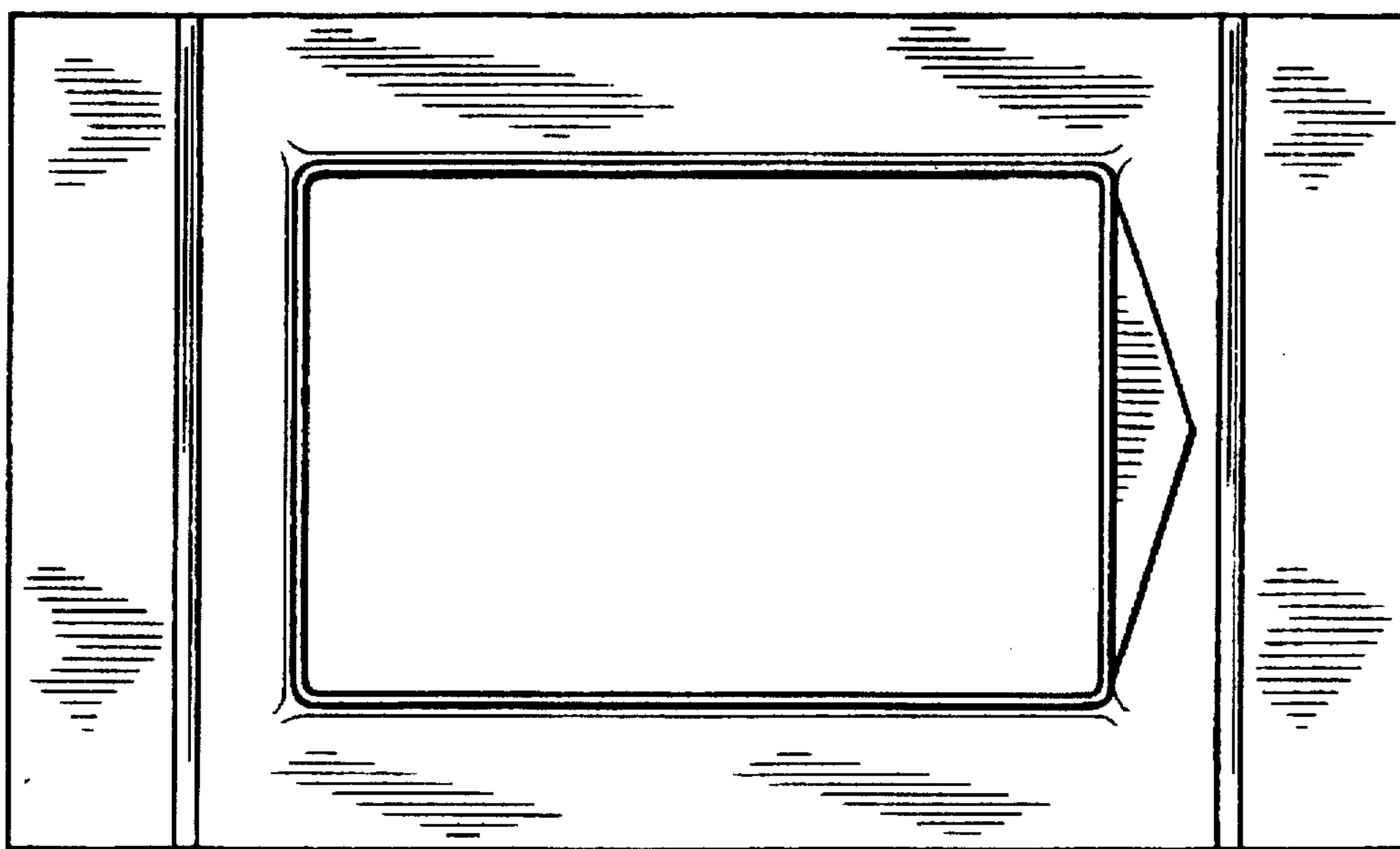


Fig. 1

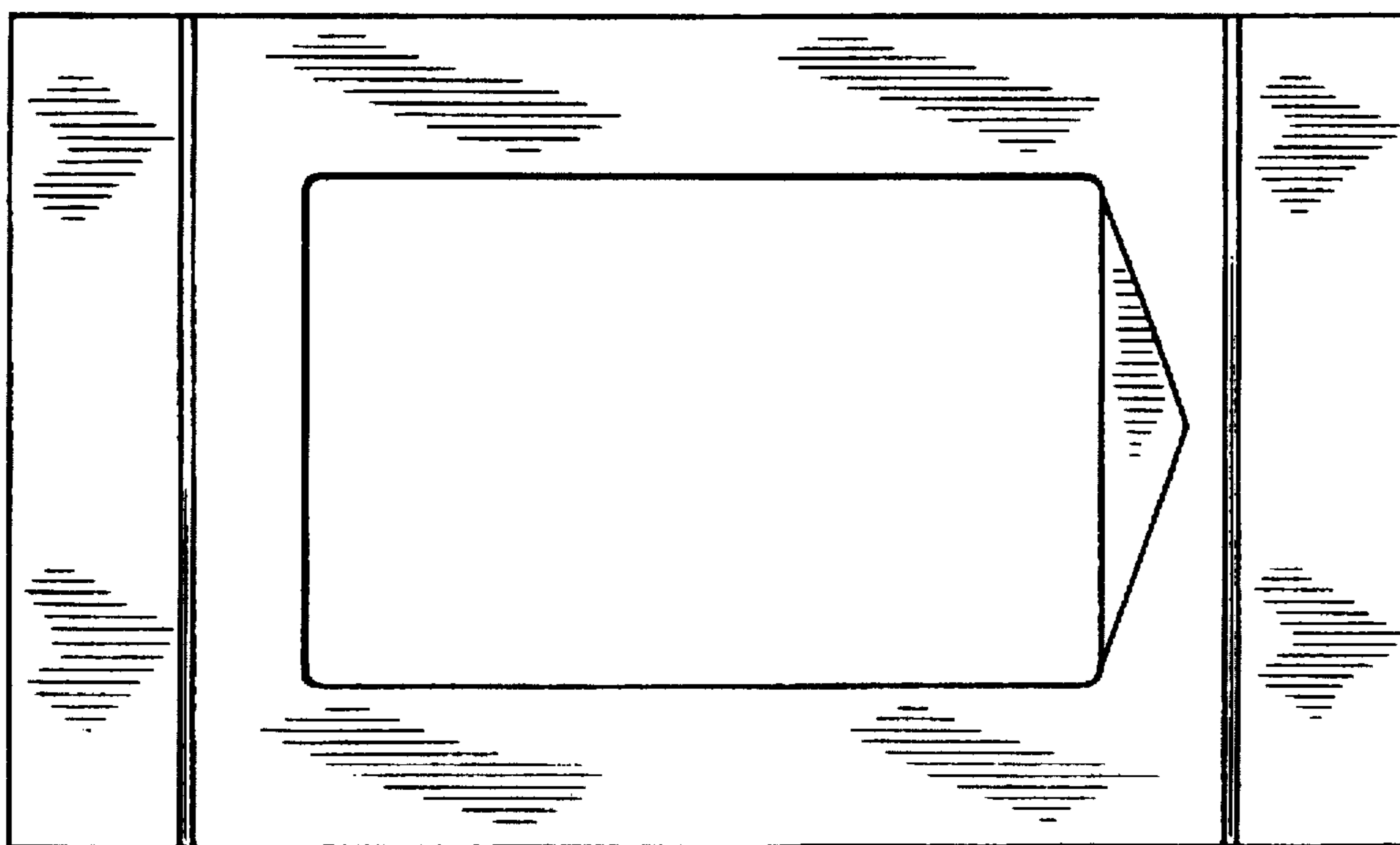


Fig. 2

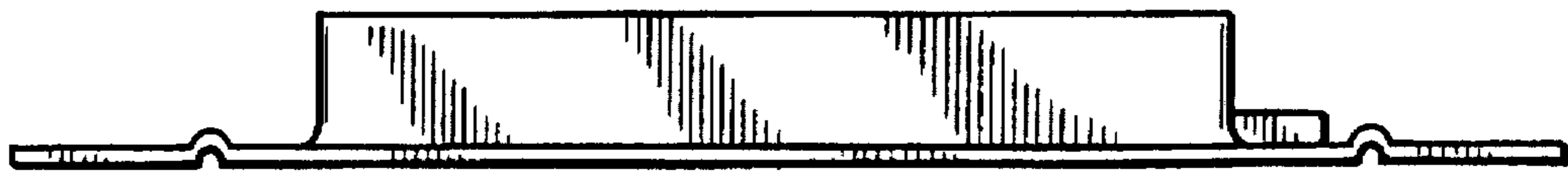


Fig. 3



Fig. 4



Fig. 5



Fig. 6

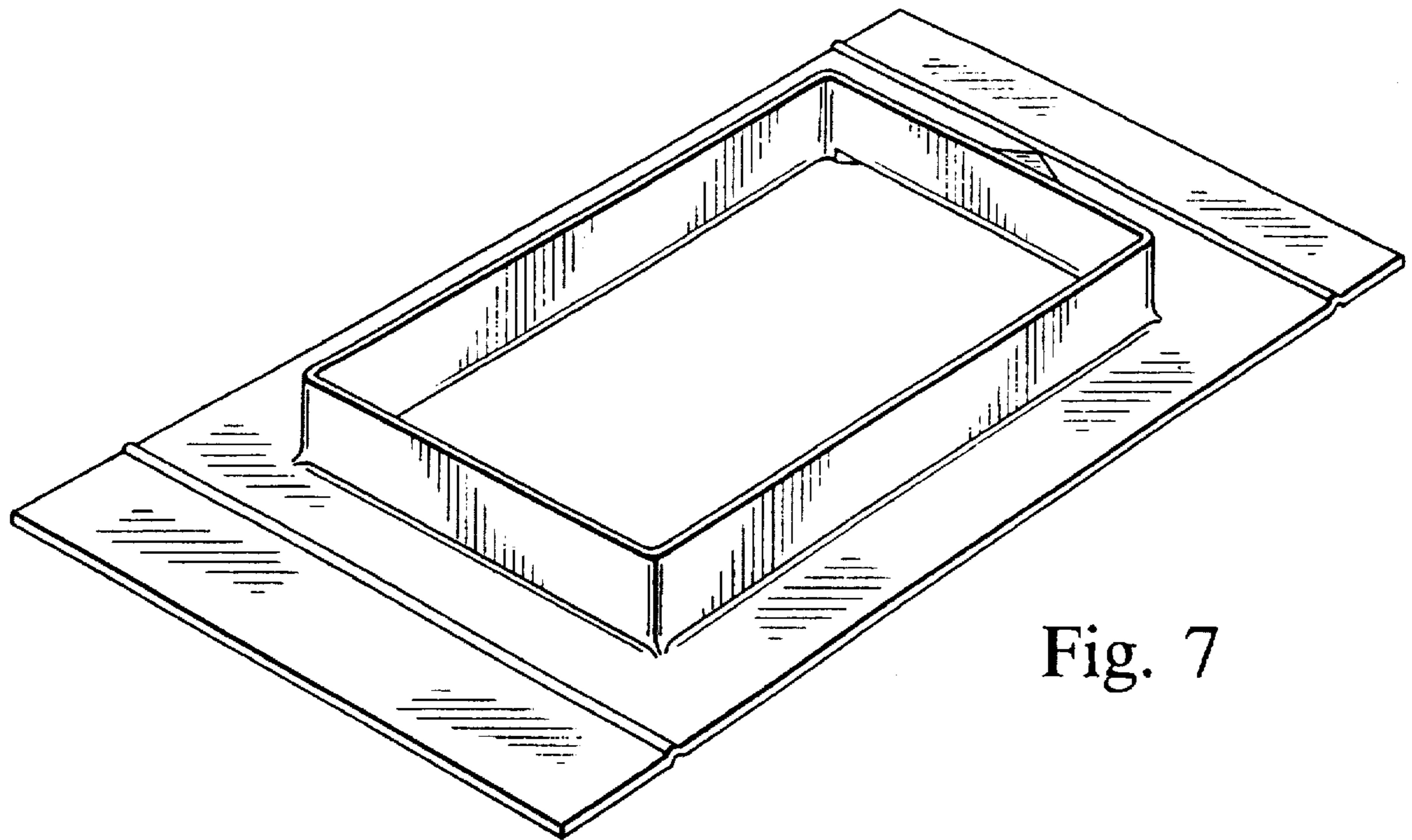


Fig. 7

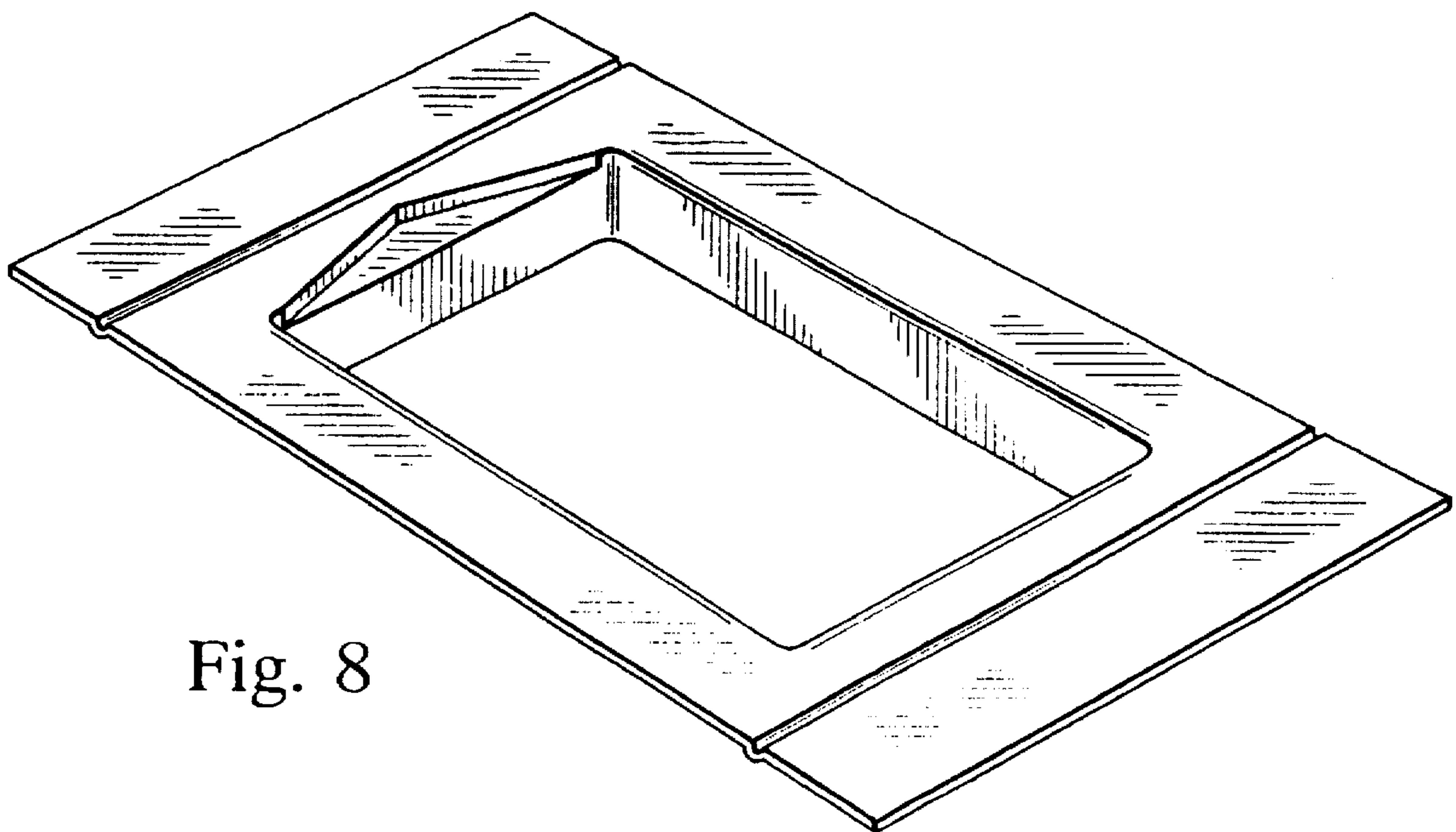


Fig. 8

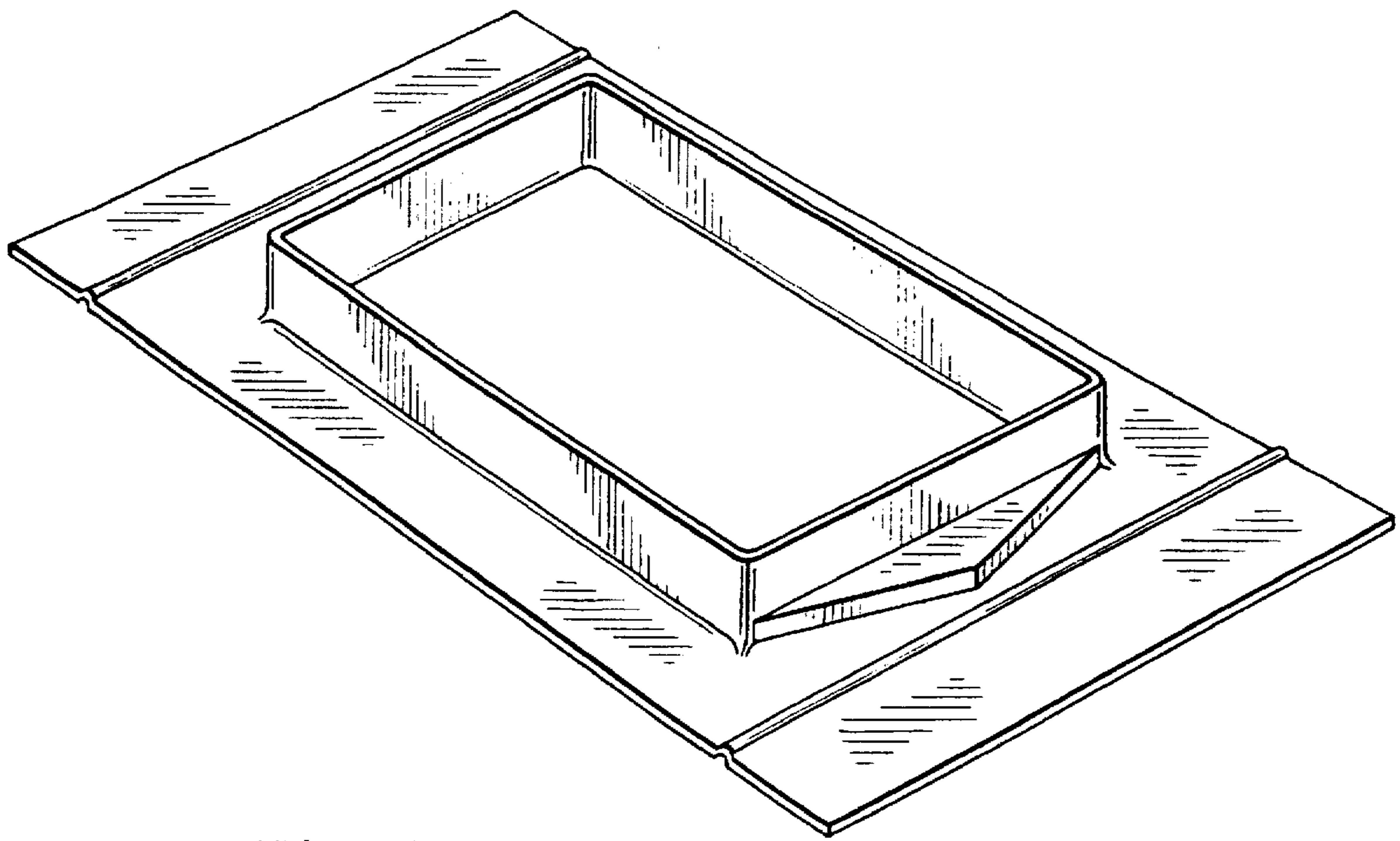


Fig. 9