



US00D385350S

United States Patent [19]
Furnish

[11] **Patent Number:** **Des. 385,350**
[45] **Date of Patent:** ****Oct. 21, 1997**

[54] **SURGICAL INSTRUMENT HANDLE**

5,501,698 3/1996 Roth et al. 606/205

[75] **Inventor:** **Greg Furnish, Lawrenceville, Ga.**

Primary Examiner—Louis S. Zarfes

[73] **Assignee:** **Genzyme Corporation, Tucker, Ga.**

Assistant Examiner—I. Simmons

[**] **Term:** **14 Years**

Attorney, Agent, or Firm—Needle & Rosenberg, P.C.

[21] **Appl. No.:** **51,520**

[57] **CLAIM**

[22] **Filed:** **Mar. 12, 1996**

The ornamental design for a surgical instrument handle, as shown and described.

Related U.S. Application Data

DESCRIPTION

[62] Division of Ser. No. 69,715, May 28, 1993, Pat. No. 5,498, 256.

FIG. 1 is a perspective view showing the front, top and left side of my new design for a surgical instrument handle the broken line showing of the body member is for illustrative purposes only and forms no part of the claimed design;

[51] **LOC (6) Cl.** **24-02**

FIG. 2 is a front elevational view thereof;

[52] **U.S. Cl.** **D24/133; D24/143; D24/147**

FIG. 3 is a rear elevational view thereof;

[58] **Field of Search** **D24/143, 147, D24/133, 148, 154; 606/1, 205, 170, 171, 206, 208, 174, 142, 207**

FIG. 4 is an elevational cross-section of the surgical instrument handle of FIG. 1 taken along lines 4—4 in FIG. 3;

FIG. 5 is a top plan view of the surgical instrument handle of FIG. 1;

[56] **References Cited**

FIG. 6 is a right side elevation of the surgical instrument handle of FIG. 1;

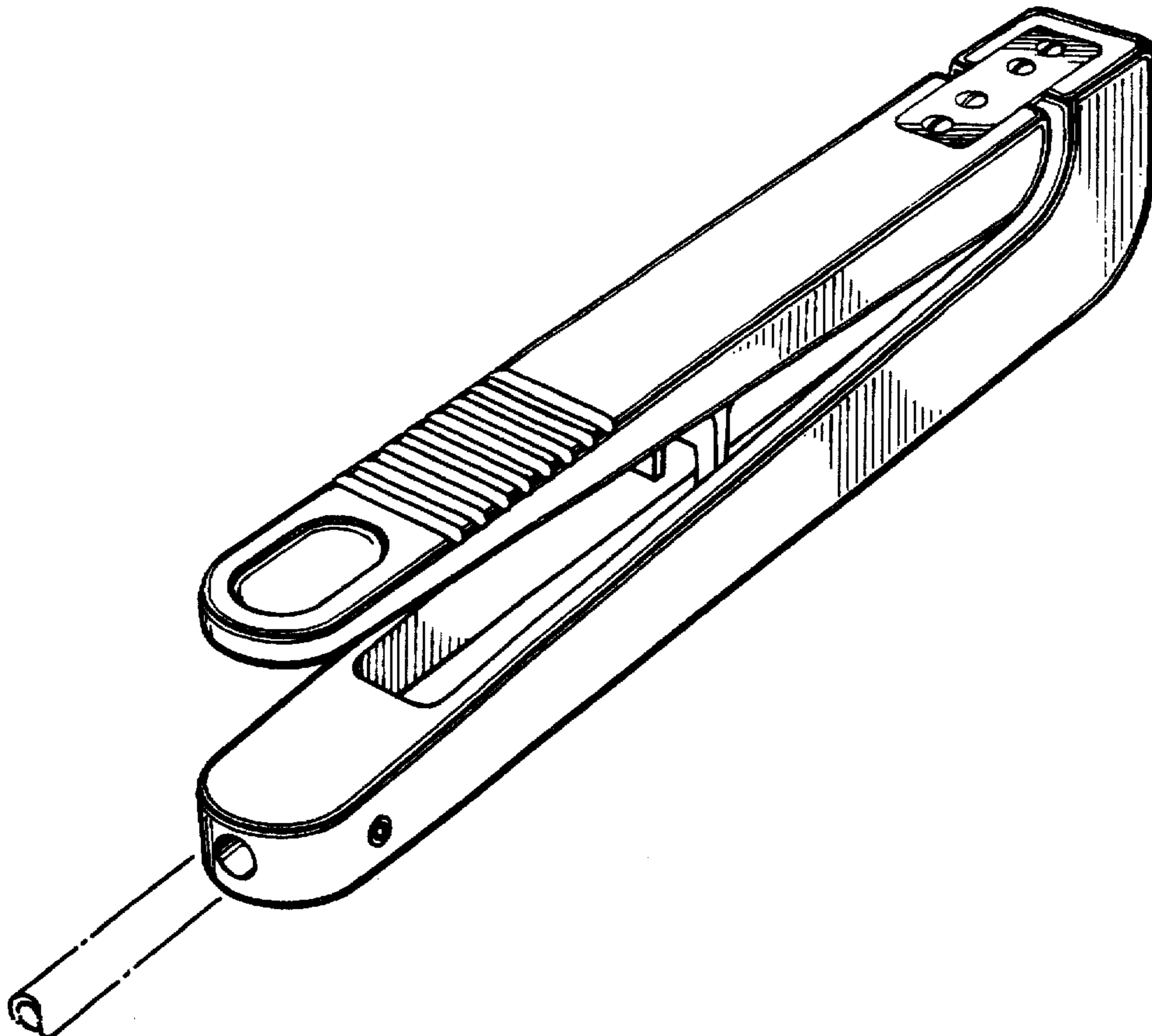
U.S. PATENT DOCUMENTS

FIG. 7 is a left side elevation of the surgical instrument handle of FIG. 1; and,

- D. 343,453 1/1994 Noda D24/144 X
- 5,368,605 11/1994 Miller, Jr. 606/170
- 5,409,478 4/1995 Gerry et al. 606/1
- 5,431,675 7/1995 Nicholas et al. 606/170
- 5,439,461 8/1995 Storz 606/1

FIG. 8 is a bottom plan view of the surgical instrument handle of FIG. 1.

1 Claim, 2 Drawing Sheets



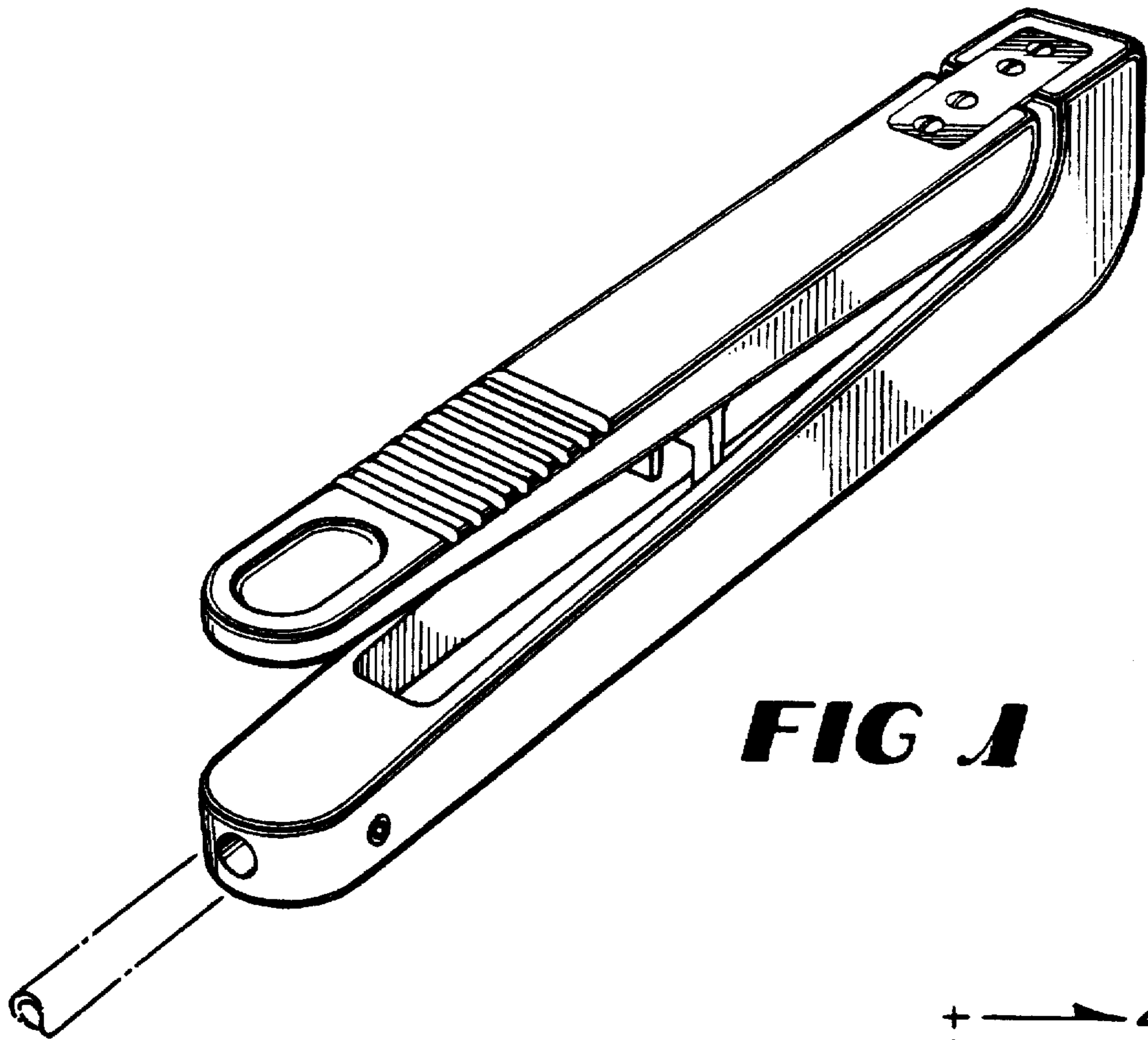


FIG 1

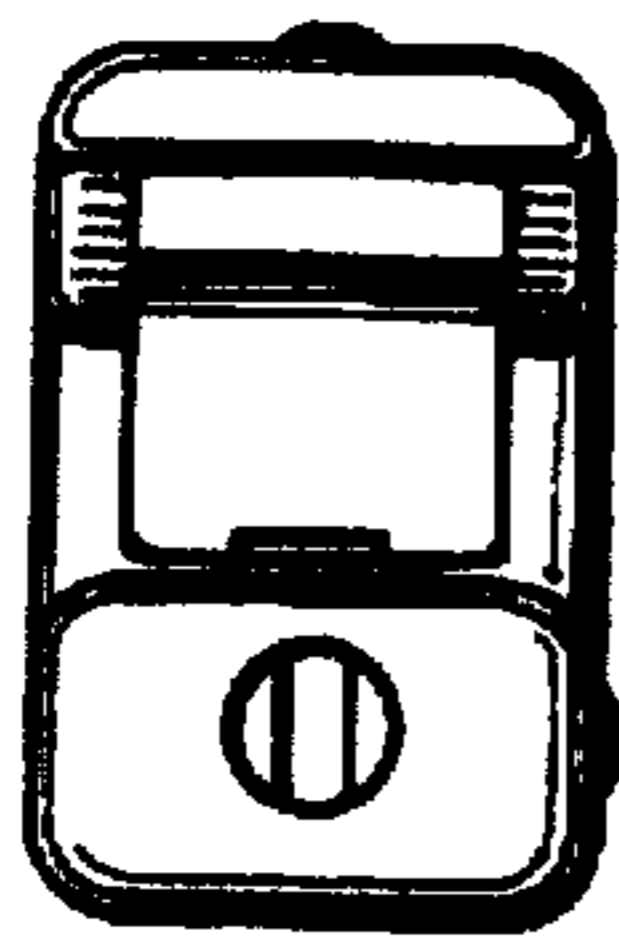


FIG 2

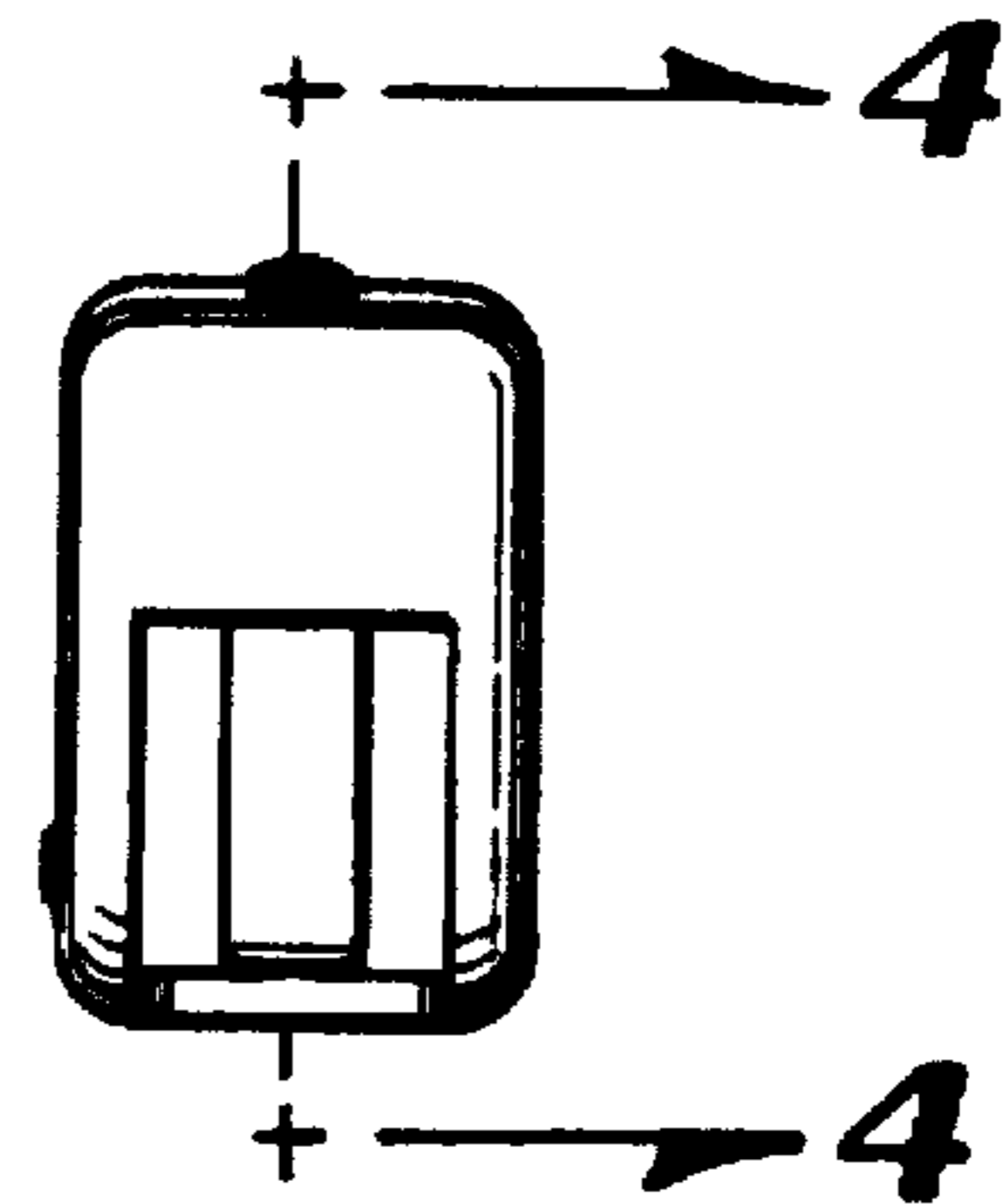


FIG 3

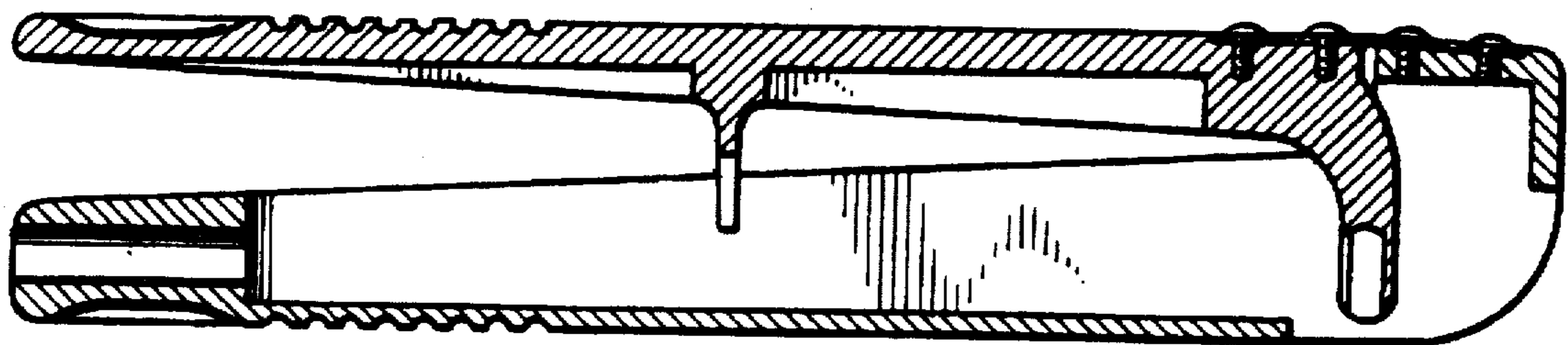


FIG 4



FIG 5

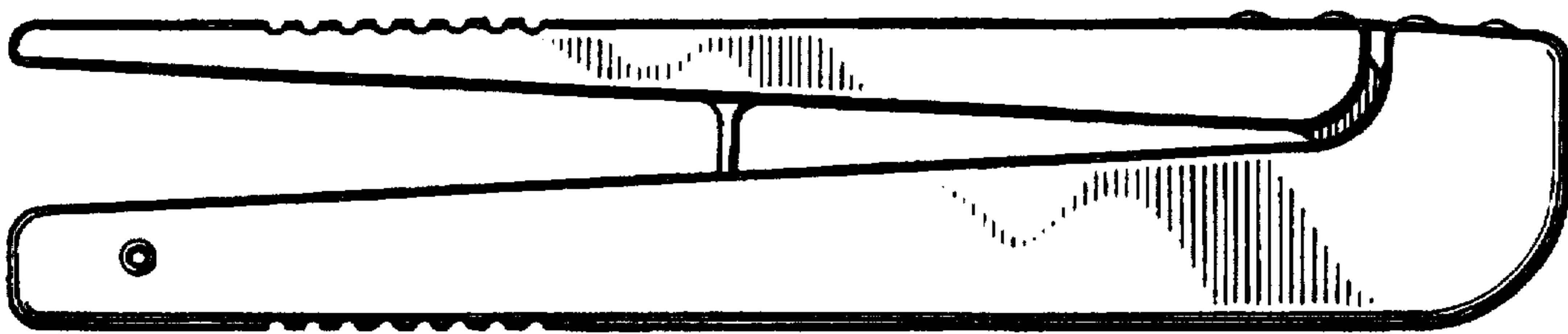


FIG 6

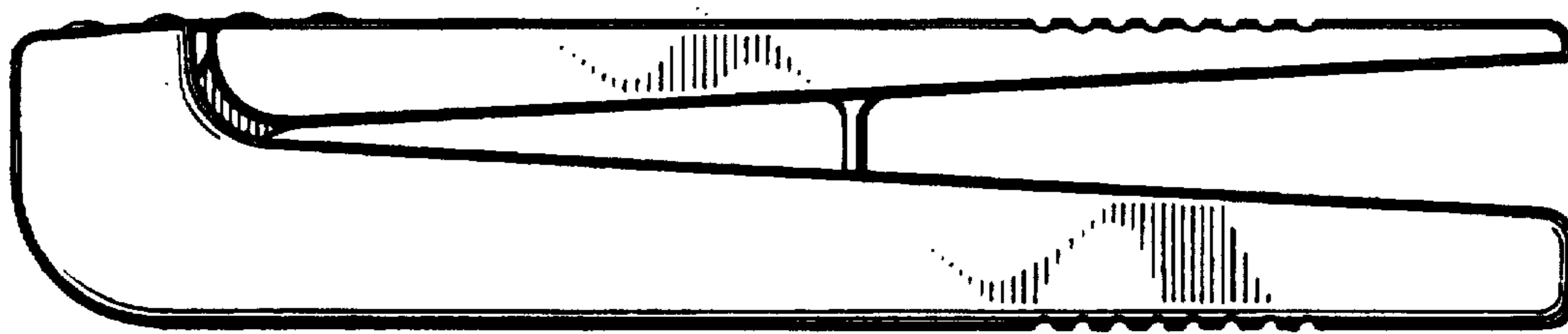


FIG 7

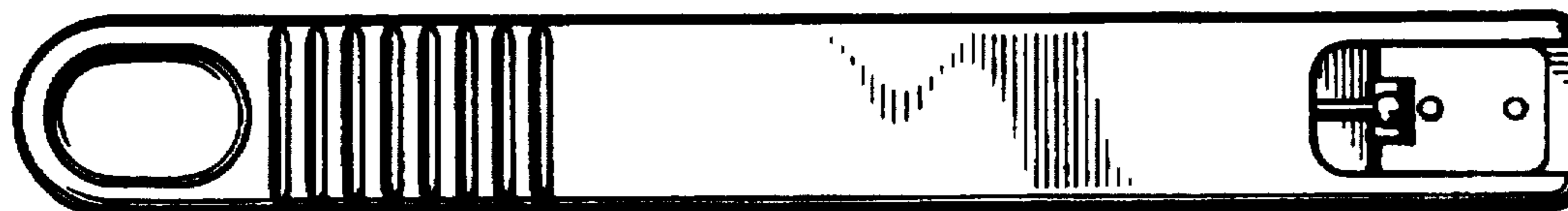


FIG 8