



US00D385344S

United States Patent [19] Green

[11] Patent Number: **Des. 385,344**

[45] Date of Patent: ****Oct. 21, 1997**

[54] **PROPELLER AIR FRESHENER**

[76] Inventor: **Dennis E. Green**, 102 Falcon Hills Dr., Highlands Ranch, Colo. 80126

[**] Term: **14 Years**

[21] Appl. No.: **48,684**

[22] Filed: **Jan. 11, 1996**

[51] LOC (6) Cl. **23-04**

[52] U.S. Cl. **D23/367; D23/366; D23/379**

[58] Field of Search **D23/366-369, D23/355, 379; D12/214; 416/244 R, 146 R**

[56] **References Cited**

U.S. PATENT DOCUMENTS

D. 312,686	12/1990	Weber	D23/377
D. 361,124	8/1995	Pearce	D23/379
4,630,787	12/1986	Middlebrook	D12/214

Primary Examiner—Lisa Lichtenstein
Attorney, Agent, or Firm—Dorr, Carson, Sloan & Birney, P.C.

[57] **CLAIM**

The ornamental design for a propeller air freshener, as shown.

DESCRIPTION

FIG. 1 is a front perspective view of the air freshener; FIG. 2 is a rear perspective view of the air freshener; FIG. 3 is a front elevational view of the air freshener; FIG. 4 is a rear elevational view of the air freshener; FIG. 5 is a top elevational view of the air freshener; FIG. 6 is a bottom elevational view of the air freshener; FIG. 7 is a left side elevational view of the air freshener; and, FIG. 8 is a right side elevational view of the air freshener.

1 Claim, 3 Drawing Sheets

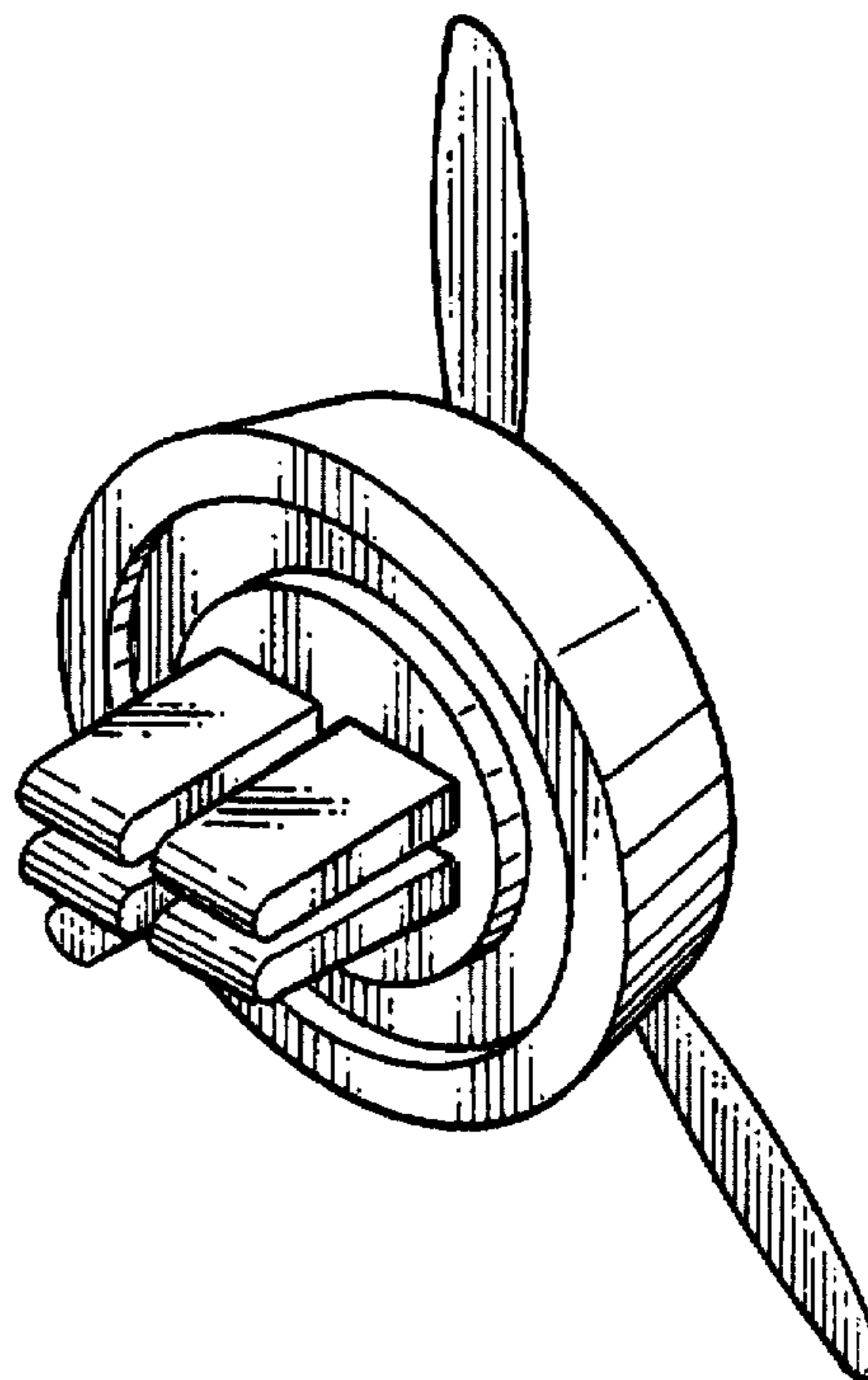
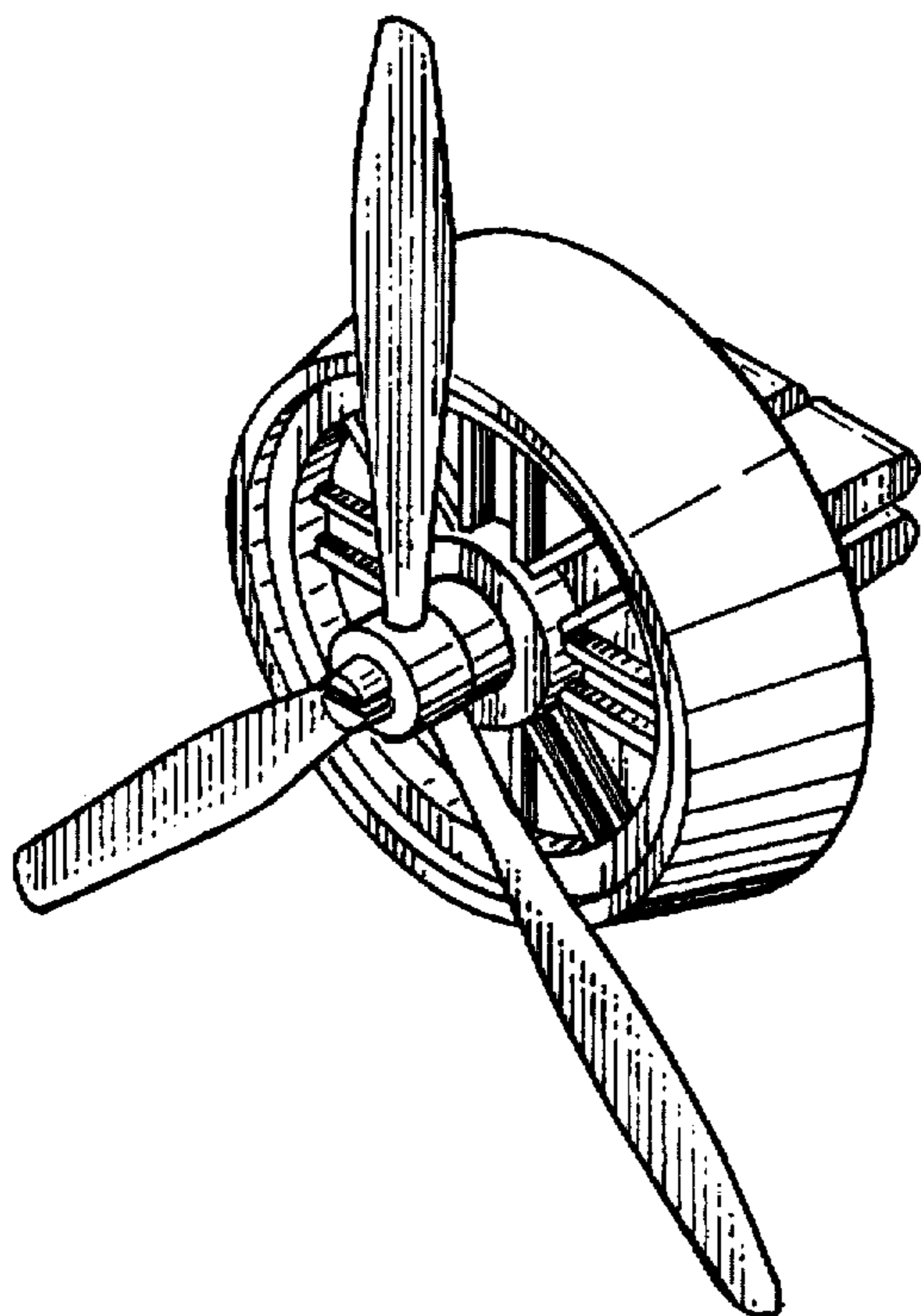


Fig. 1

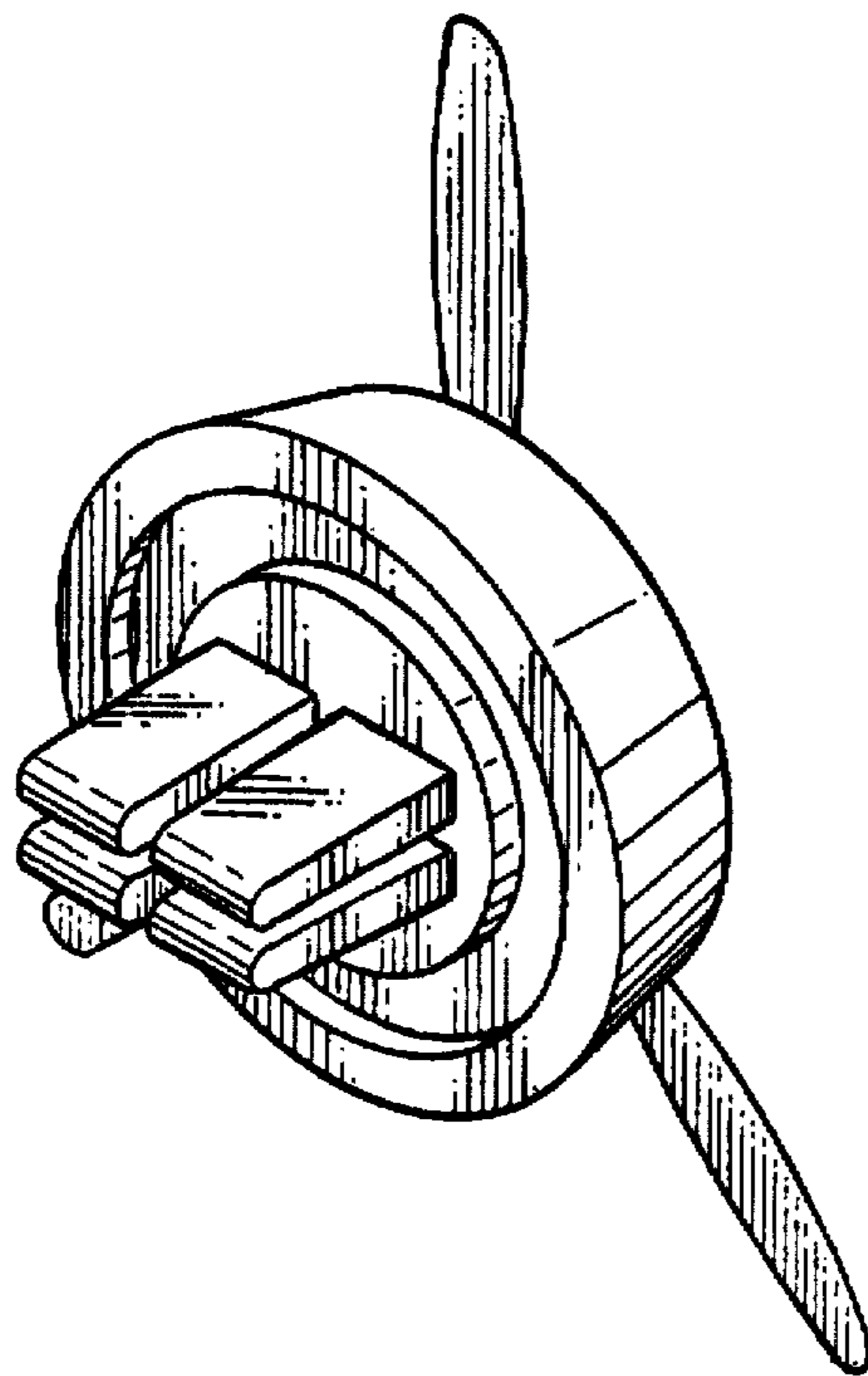
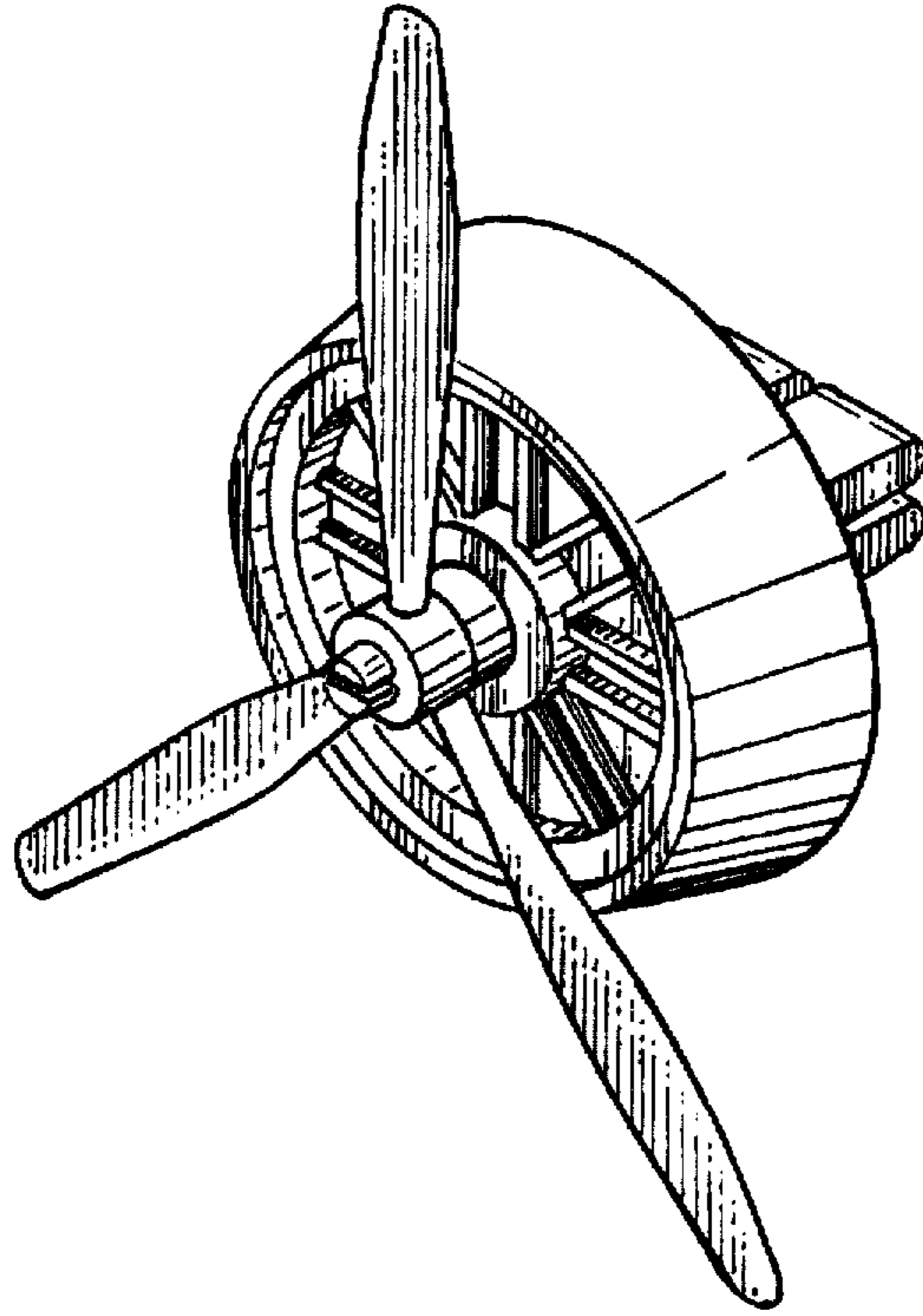


Fig. 2

Fig. 3

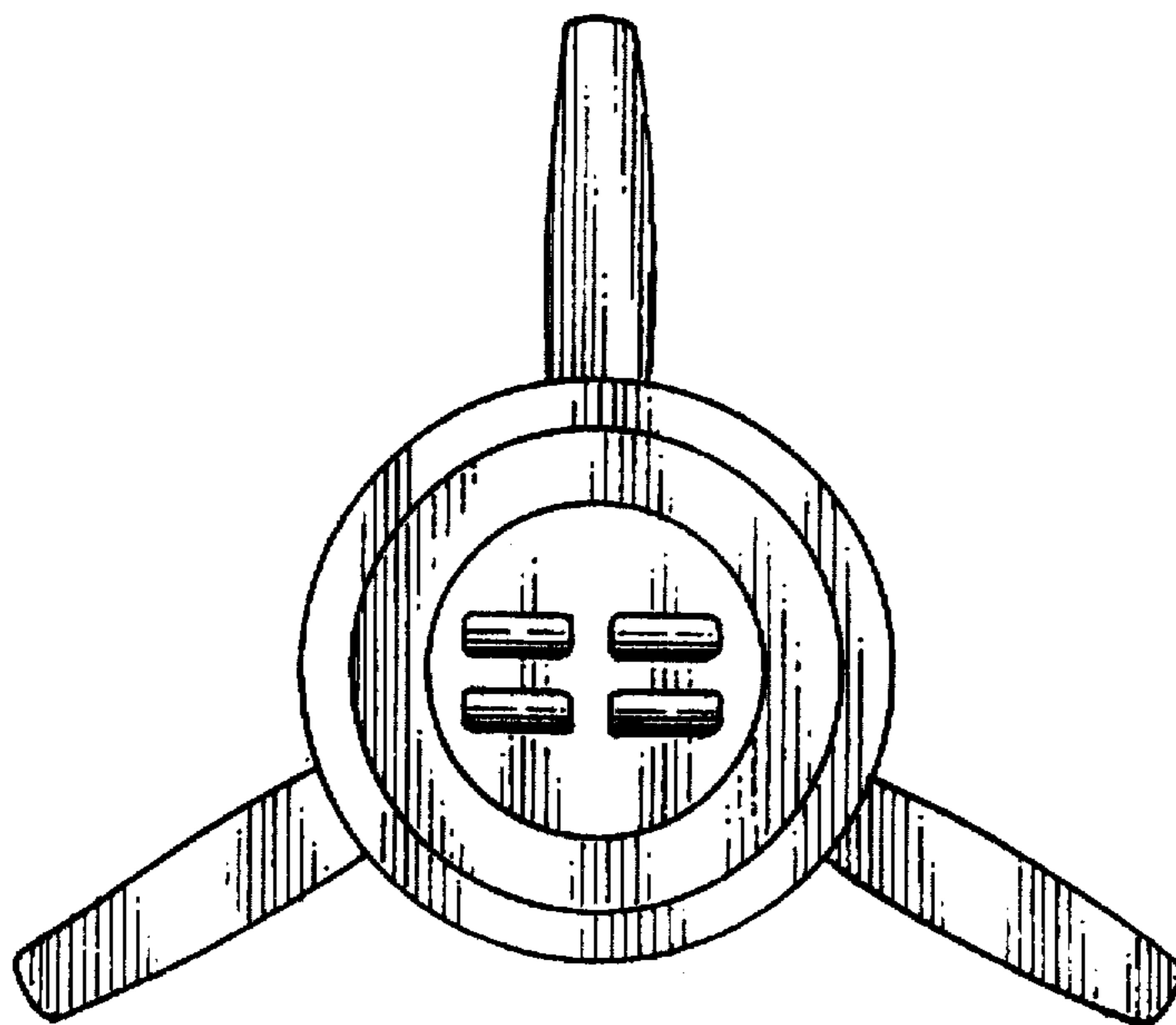
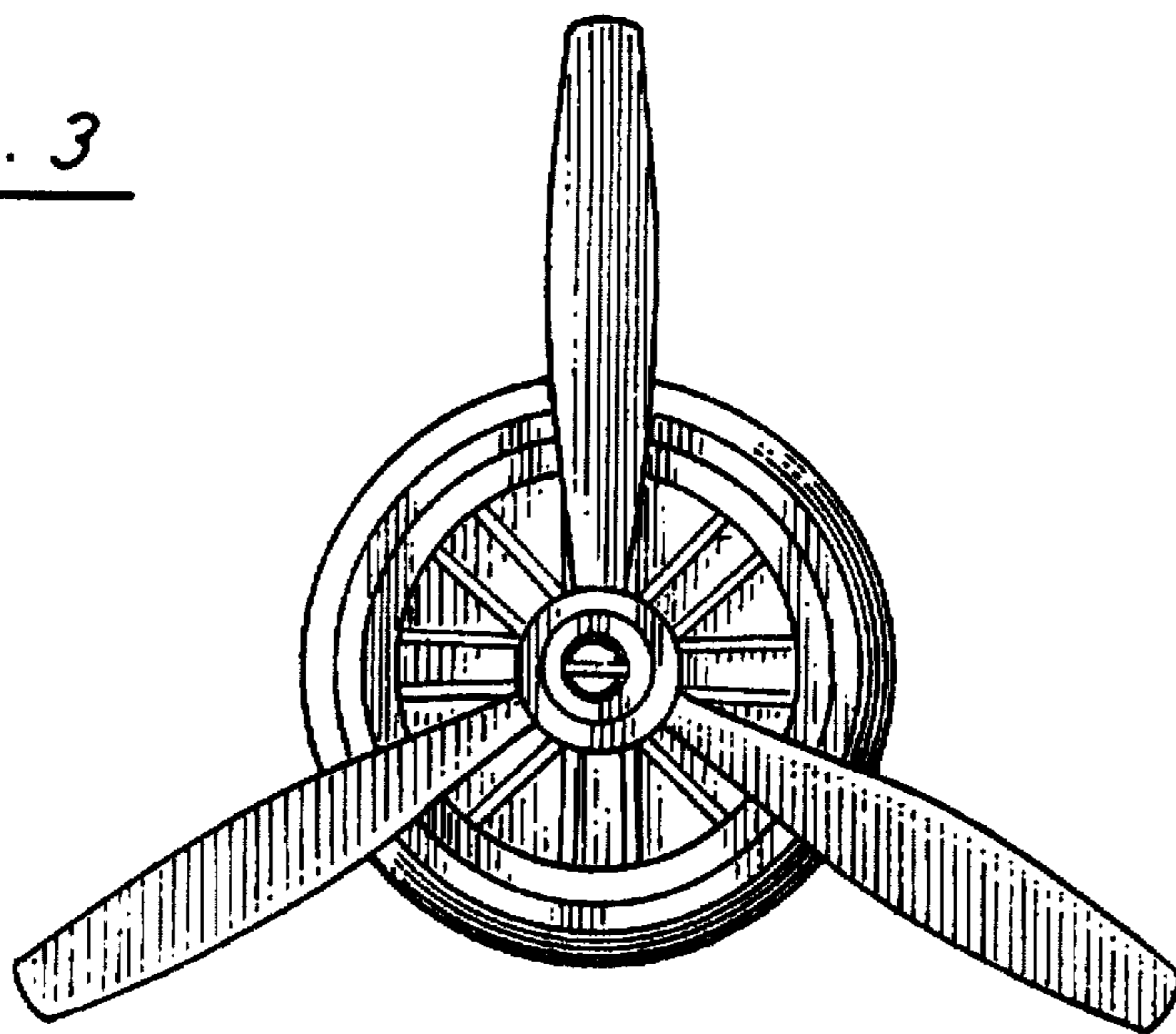


Fig. 4

Fig. 5

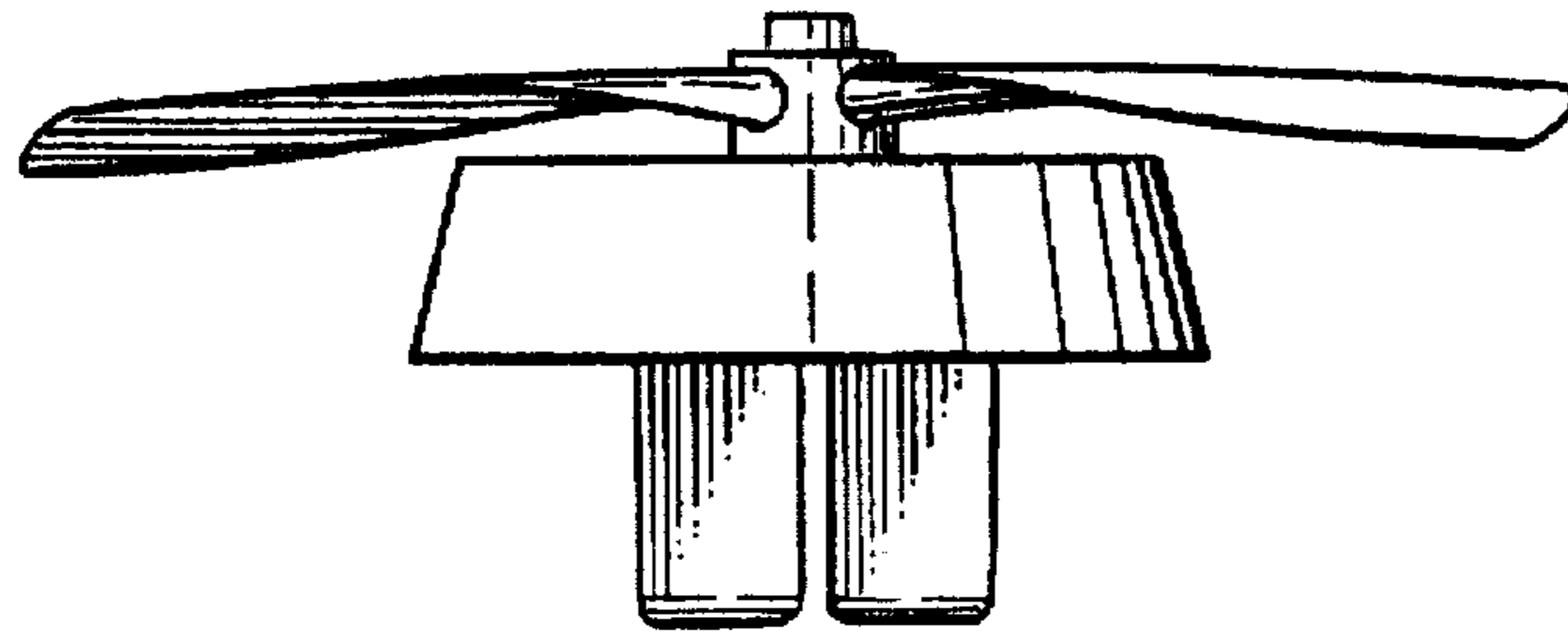
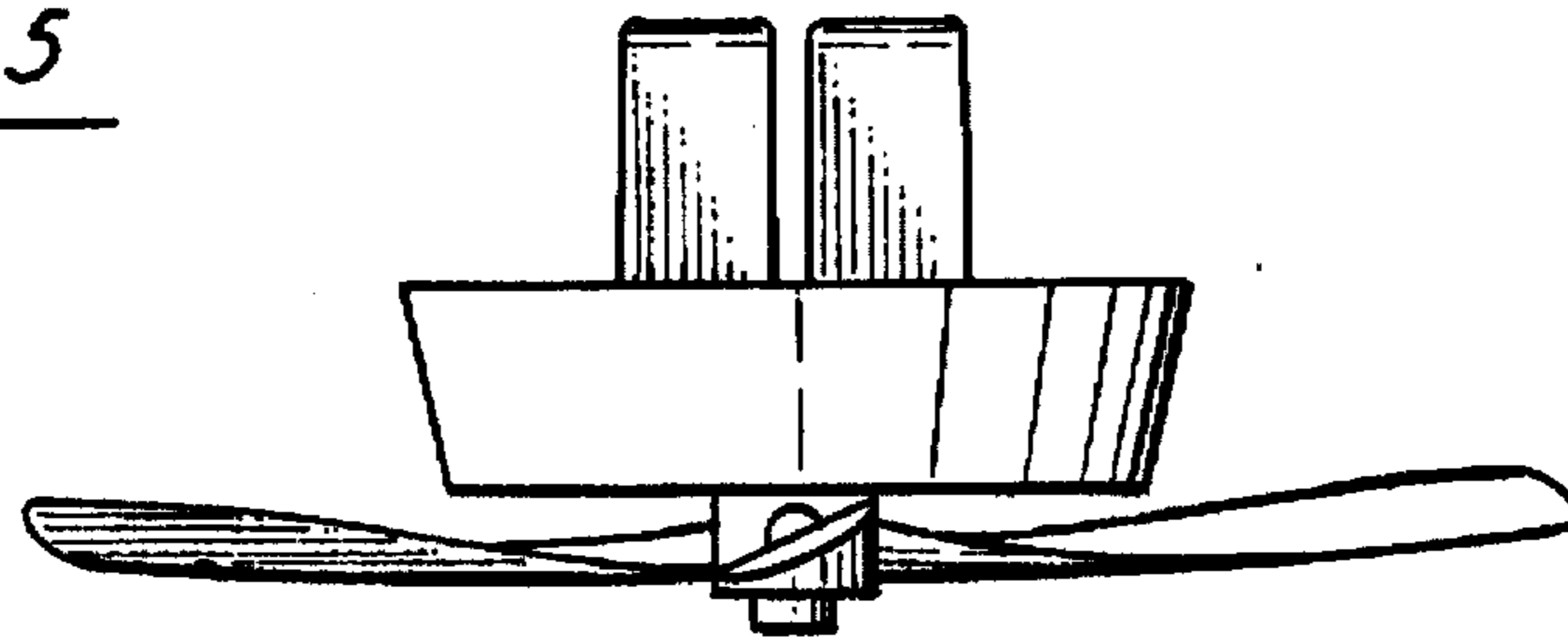


Fig. 6

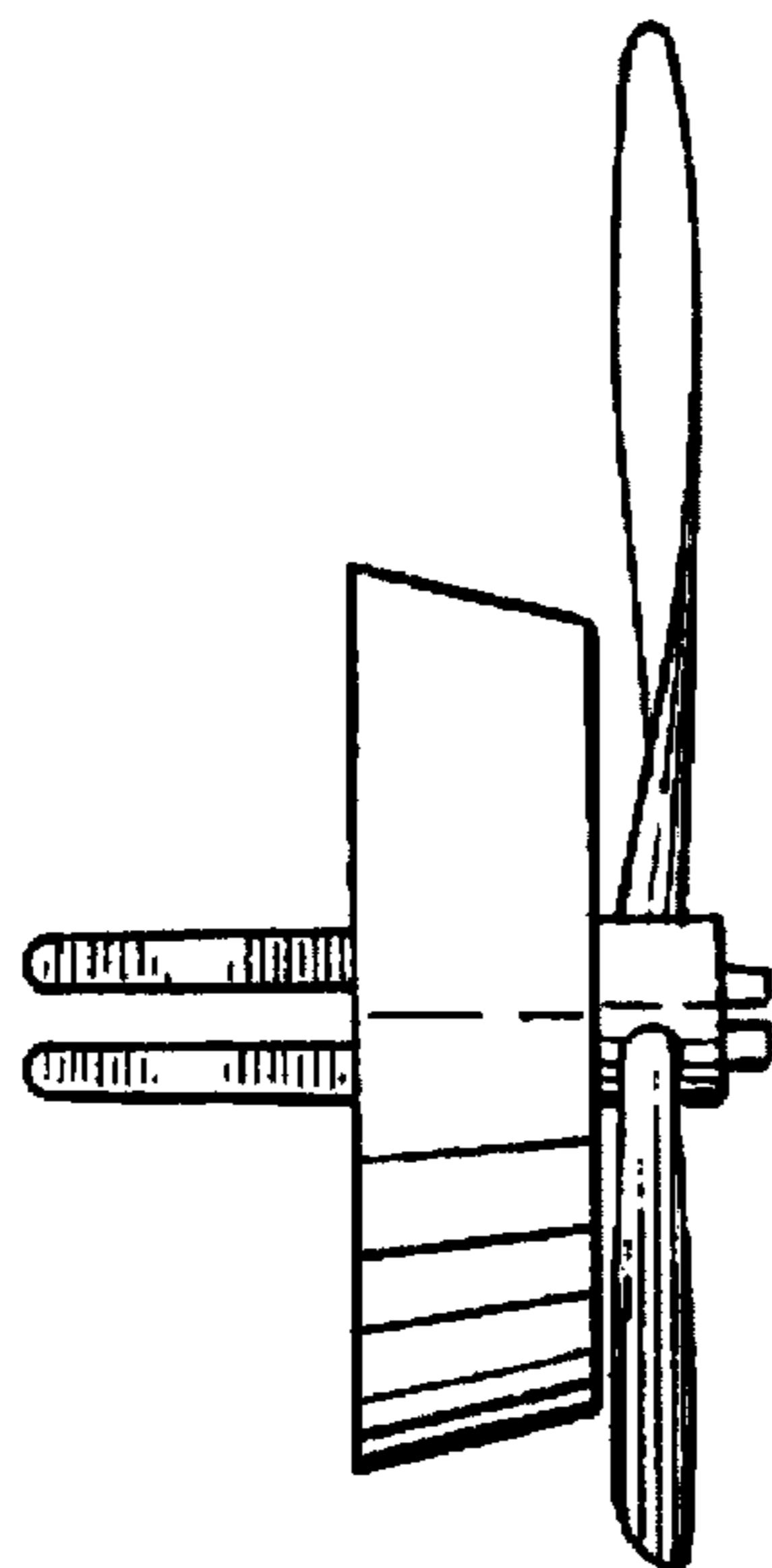


Fig. 7

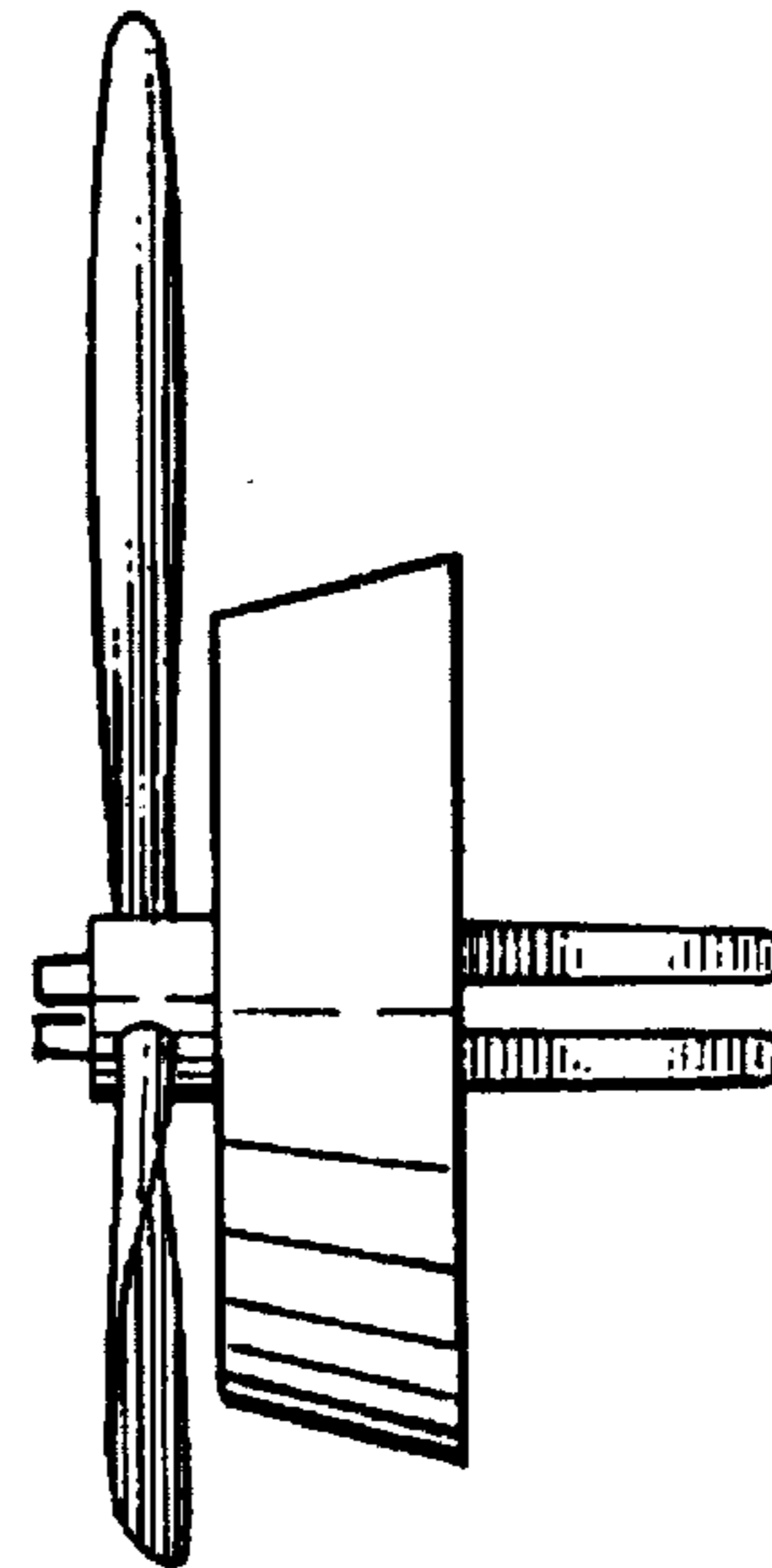


Fig. 8