



US00D385341S

United States Patent [19] Ouzounian

[11] Patent Number: **Des. 385,341**
[45] Date of Patent: ****Oct. 21, 1997**

[54] **RECESSED LIFT PORTION FOR A TOILET SEAT**

[76] Inventor: **Wayne Ouzounian**, 3295 Glendon Ave., Los Angeles, Calif. 90034

[**] Term: **14 Years**

[21] Appl. No.: **56,317**

[22] Filed: **Jun. 26, 1996**

[51] LOC (6) Cl. **23-02**

[52] U.S. Cl. **D23/311**

[58] Field of Search D23/303, 309, D23/311; D8/307, 308; 4/217, 237, 234, 254, 239, 246.1, DIG. 6

[56] **References Cited**

U.S. PATENT DOCUMENTS

D. 161,108	12/1950	Kandarian	D23/311
D. 191,497	10/1961	Hottle	D4/5
D. 296,658	7/1988	Mead et al.	D8/305
D. 336,954	6/1993	Paglia	D23/311
D. 371,434	7/1996	Ouzounian	D23/309
2,758,315	8/1956	Hylton	4/251

4,051,560	10/1977	Audet	4/1
4,512,046	4/1985	Riggle	4/661
4,733,419	3/1988	Nee	4/661
4,742,582	5/1988	Giallourakis	4/251
4,843,656	7/1989	Forman	4/237

Primary Examiner—Stella Reid
Assistant Examiner—Eric Watterson
Attorney, Agent, or Firm—Burns, Doane, Swecker & Mathis, L.L.P.

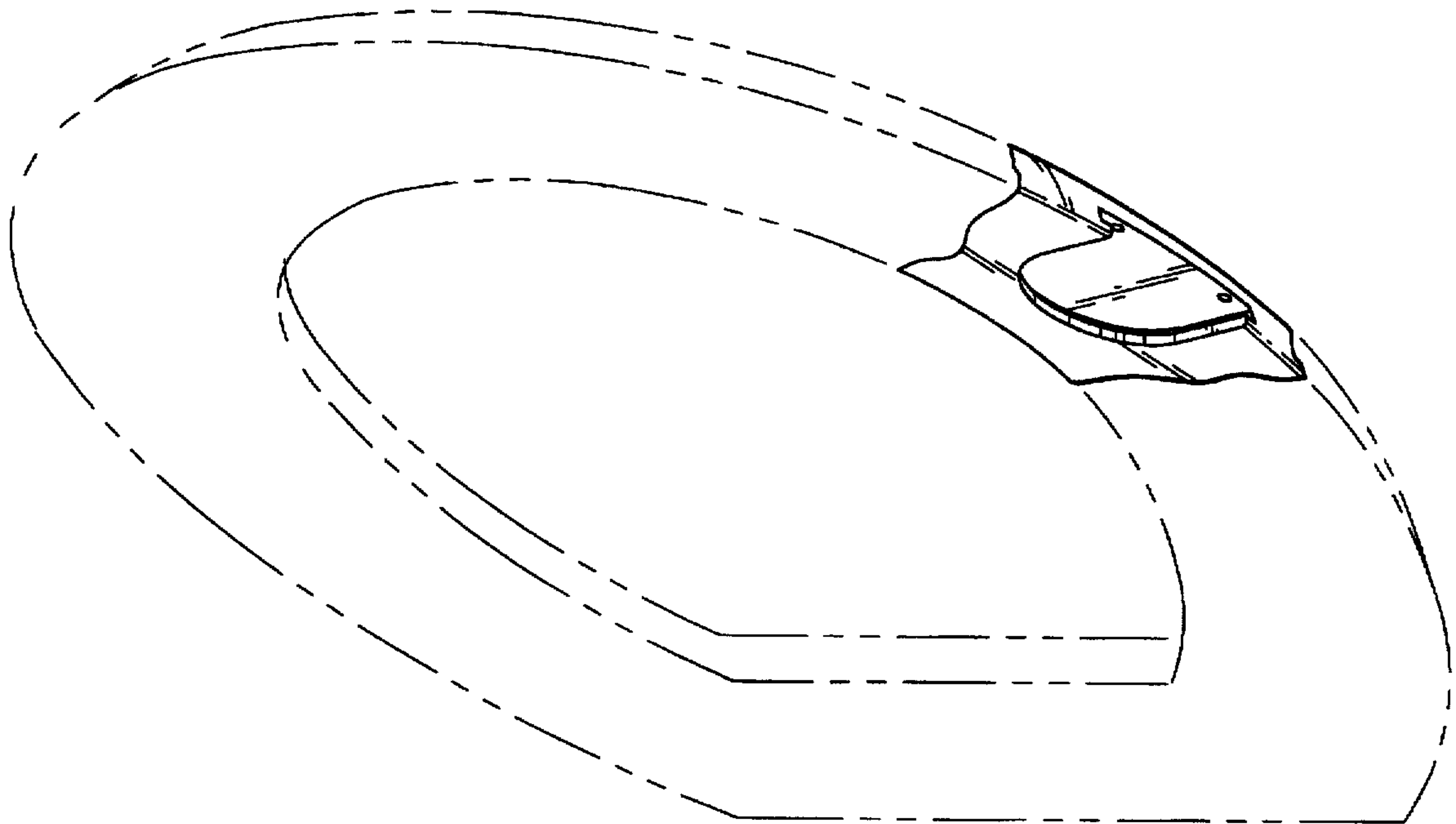
[57] **CLAIM**

The ornamental design for a recessed lift portion for a toilet seat, as shown and described.

DESCRIPTION

FIG. 1 is a bottom plan view of a recessed portion for a toilet seat, showing my new design;
FIG. 2 is a right side elevational view thereof;
FIG. 3 is a bottom right side perspective view thereof; and,
FIG. 4 is an enlarged right side elevational view looking along line 4—4 of FIG. 1.
The broken line showing is for illustrative purposes only and forms no part of the claimed design.

1 Claim, 3 Drawing Sheets



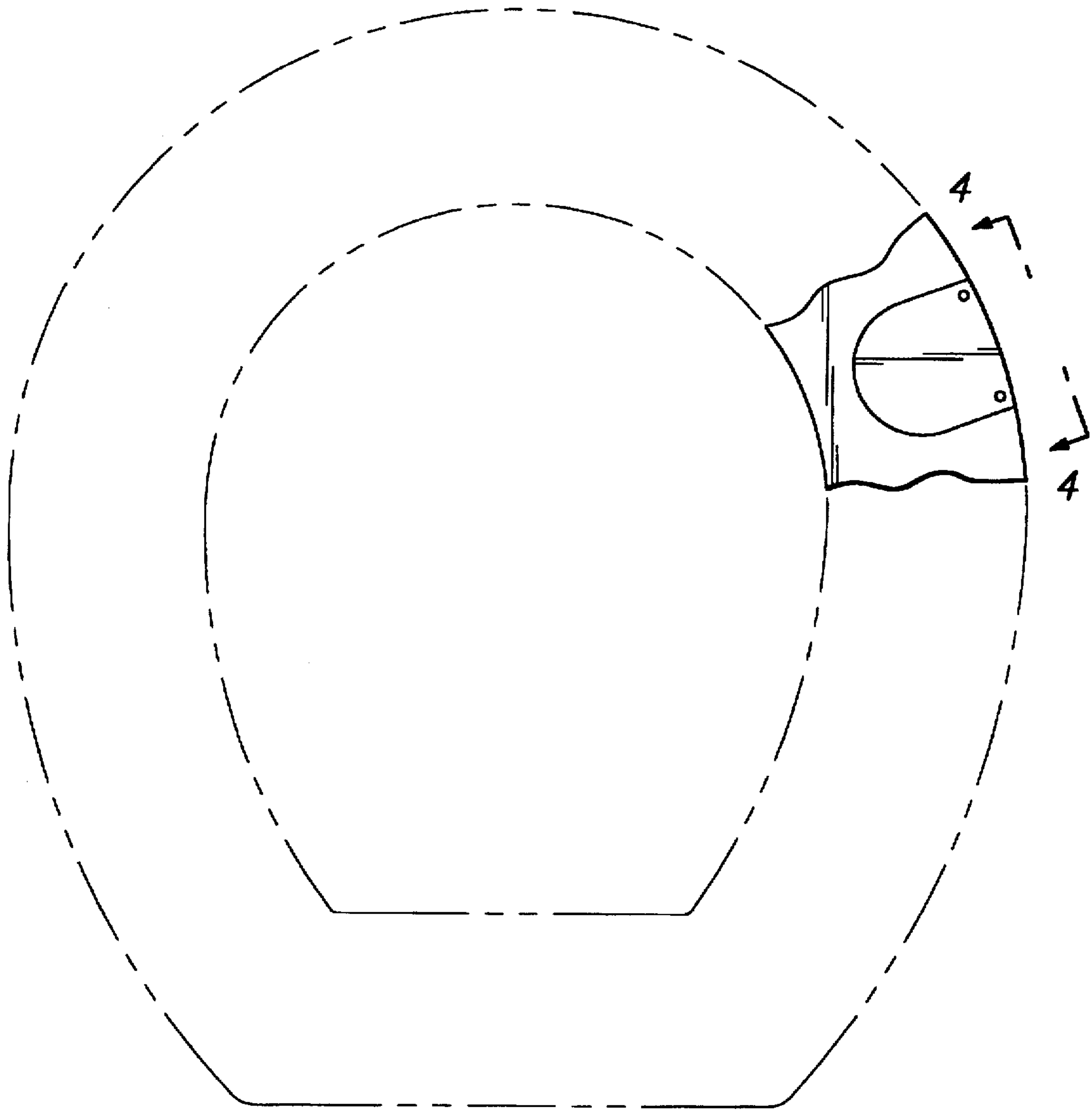


FIG. 1

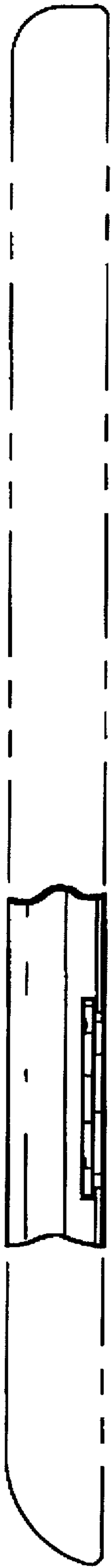


FIG. 2

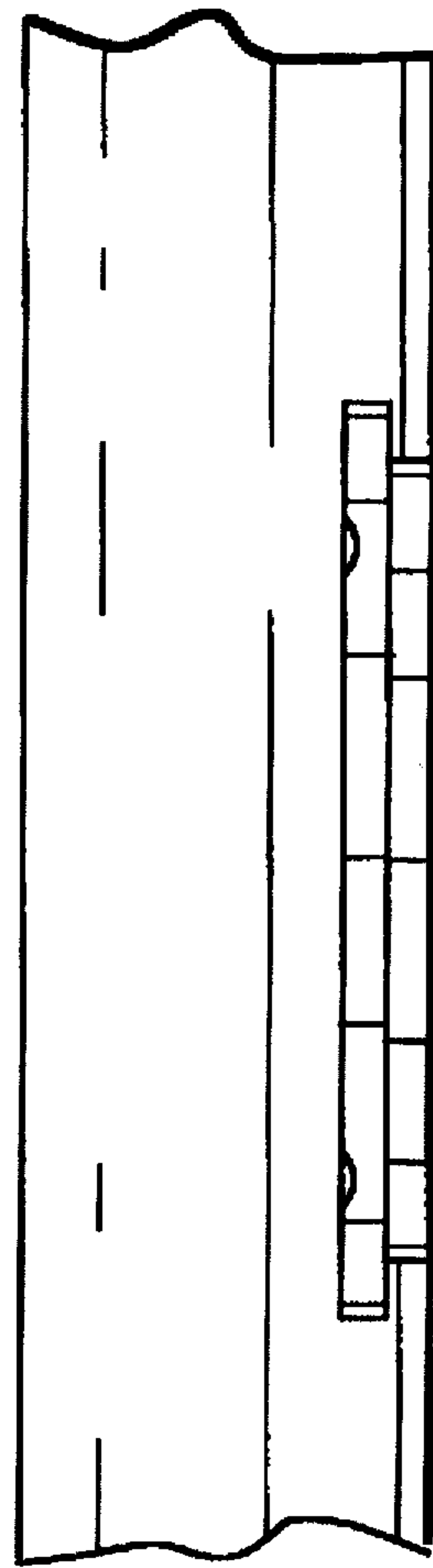


FIG. 4

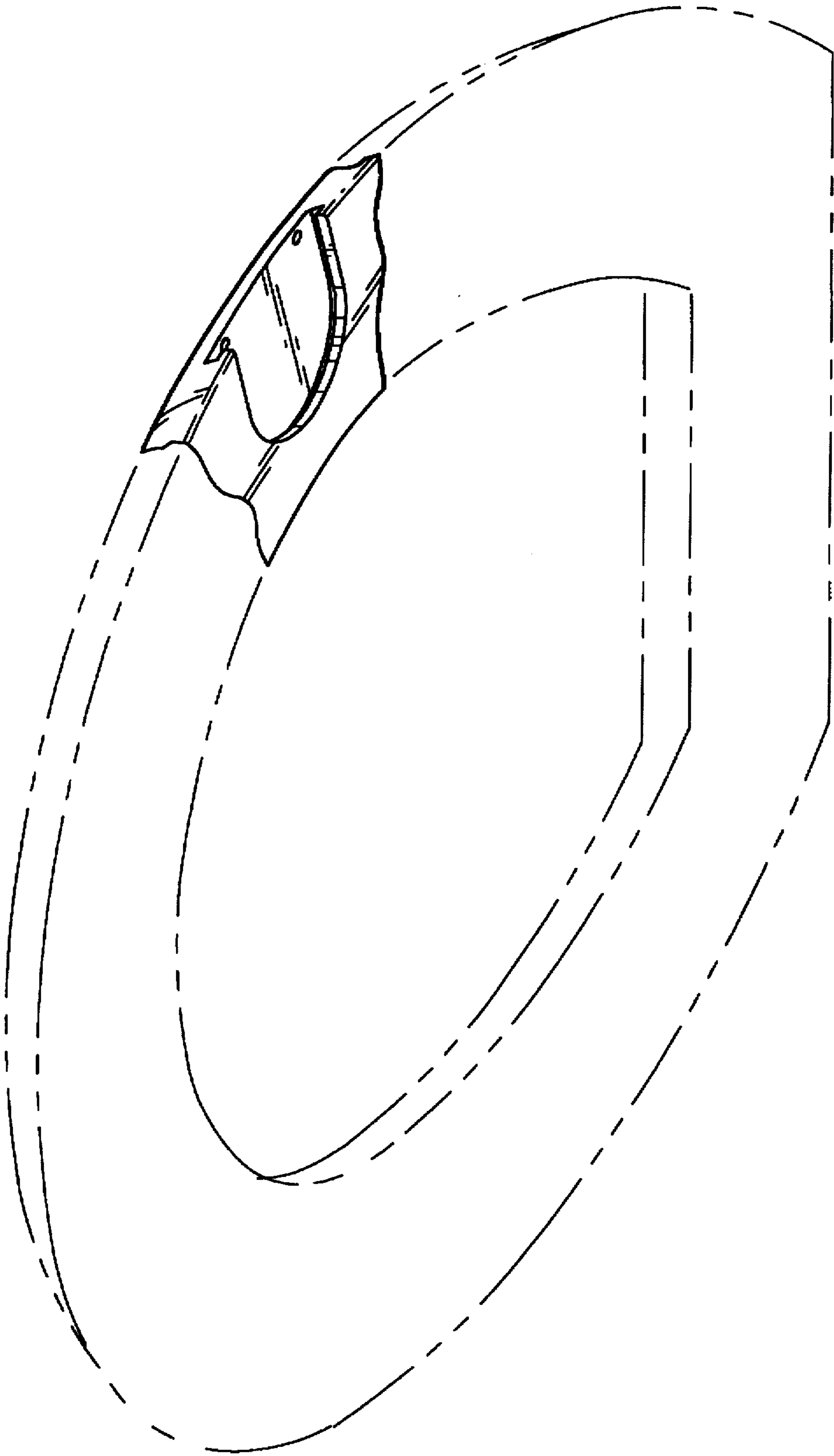


FIG. 3