



US00D385338S

United States Patent [19]

Burchard et al.

[11] Patent Number: **Des. 385,338**

[45] Date of Patent: ****Oct. 21, 1997**

[54] FAUCET SPOUT

[75] Inventors: **Thomas H. Burchard**, Winchester, Mass.; **Youngmihn Kim**, Lexington, both of Mass.; **Daniel C. Buchner**, Lorain, Ohio

[73] Assignee: **Moen Incorporated**, North Olmsted, Ohio

[**] Term: **14 Years**

[21] Appl. No.: **60,433**

[22] Filed: **Sep. 27, 1996**

[51] LOC (6) Cl. **23-01**

[52] U.S. Cl. **D23/255**

[58] Field of Search **D23/238-293, D23/250-257, 213; 4/675-678; 137/801**

[56] **References Cited**

U.S. PATENT DOCUMENTS

D. 324,805 3/1992 Chretien D23/238

D. 344,127 2/1994 Carr et al. D23/238
D. 344,324 2/1994 Mathis D23/238
D. 352,766 11/1994 Hill et al. D23/213
D. 368,764 4/1996 Hill et al. D23/238

Primary Examiner—Stella Reid
Assistant Examiner—Eric Watterson
Attorney, Agent, or Firm—Dorn, McEachran, Jambor & Keating

[57] **CLAIM**

The ornamental design for a faucet spout, as shown and described.

DESCRIPTION

FIG. 1 is a side view of a faucet spout showing our new design the opposite side being a mirror image, the broken line showing of the faucet handle and body is for illustrative purposes only and forms no part of the claimed design; FIG. 2 is a front view of our new faucet spout; FIG. 3 is a top view of our new faucet spout; and, FIG. 4 is a bottom view of our new faucet spout.

1 Claim, 1 Drawing Sheet

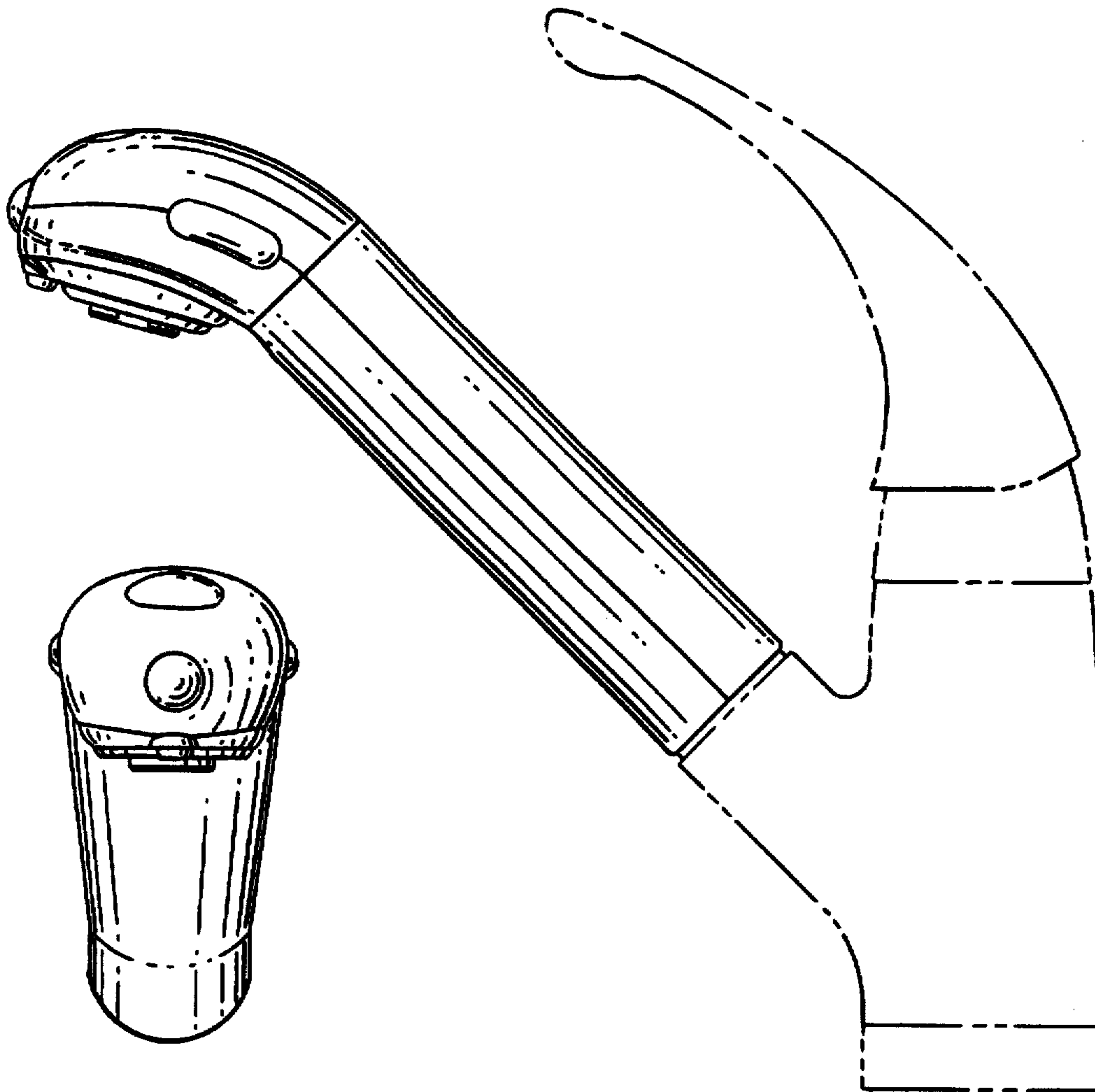


FIG. 1.

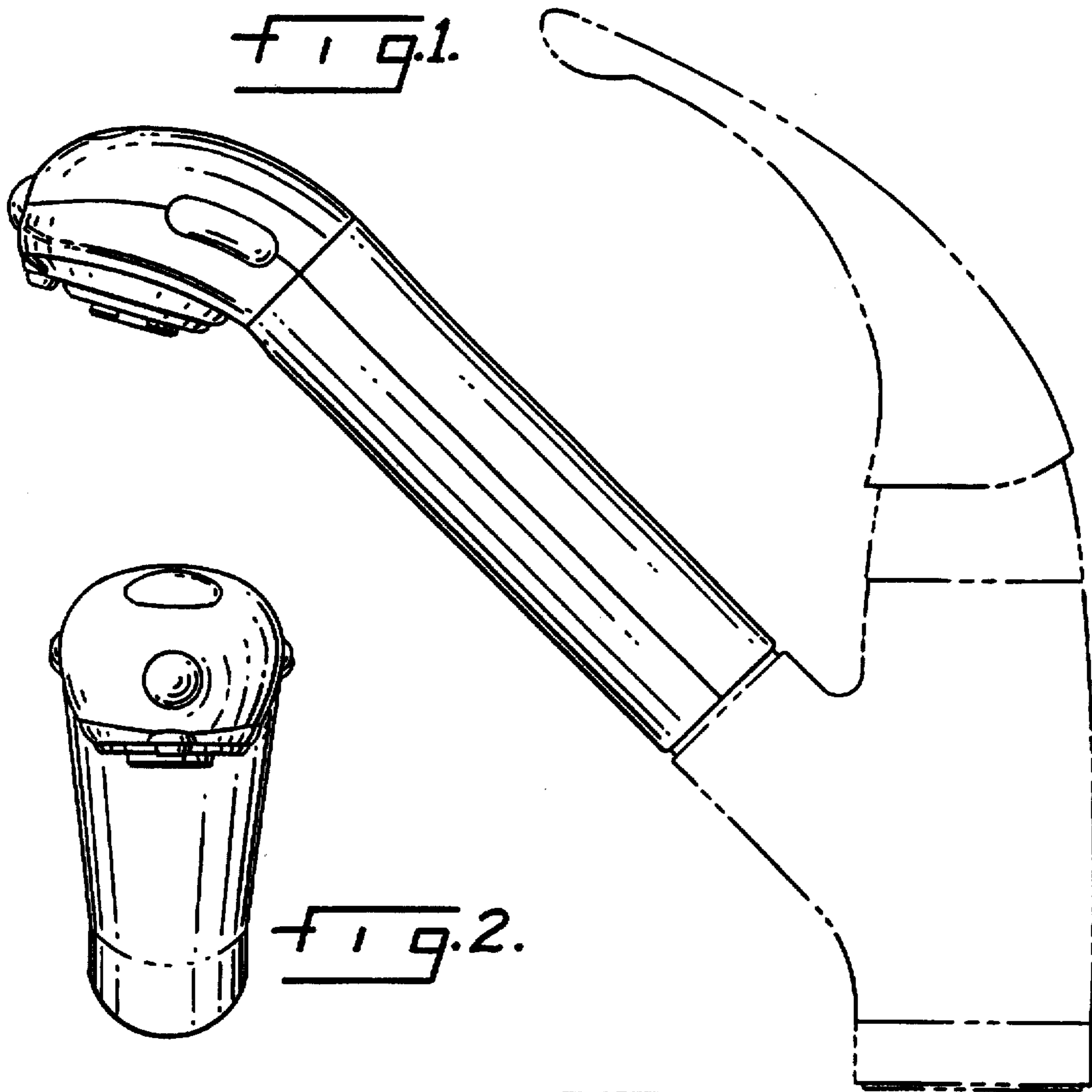


FIG. 2.

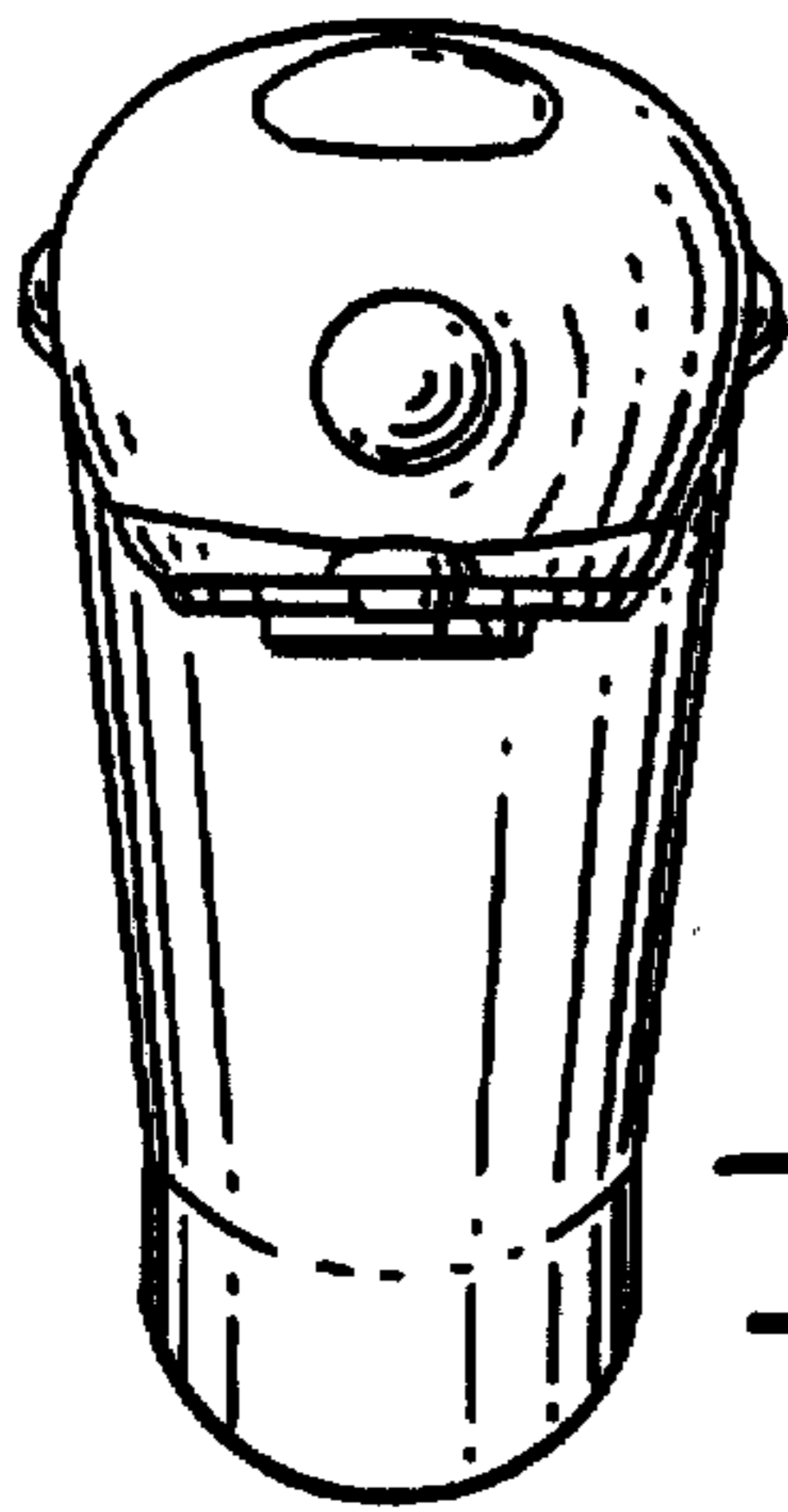


FIG. 3.

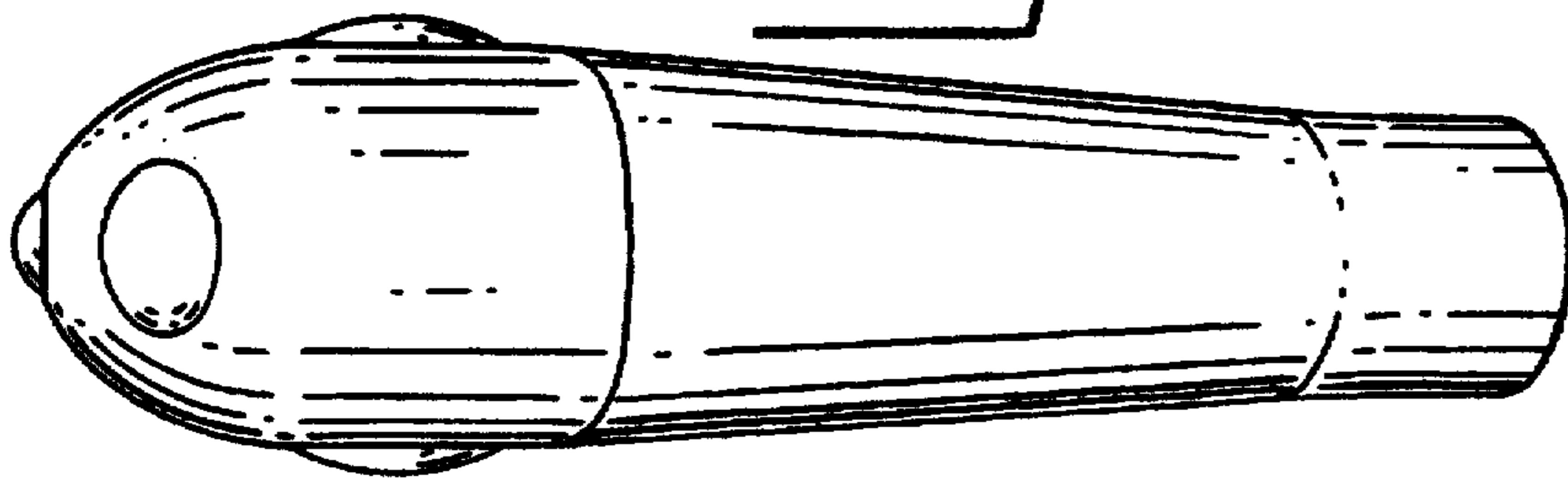


FIG. 4.

