



US00D385337S

United States Patent [19]

Spurgeon et al.

[11] Patent Number: **Des. 385,337**

[45] Date of Patent: ****Oct. 21, 1997**

[54] **FAUCET SPOUT**

[75] Inventors: **Gordon L. Spurgeon, Conway, S.C.;**
Paul Kolada, Bexley, Ohio

[73] Assignee: **Wolverine Brass, Conway, S.C.**

[**] Term: **14 Years**

[21] Appl. No.: **56,985**

[22] Filed: **Jul. 15, 1996**

[51] LOC (6) Cl. **23-01**

[52] U.S. Cl. **D23/255**

[58] Field of Search **D23/238-243,**
D23/250, 287; 4/675-678; 187/801

[56] **References Cited**

U.S. PATENT DOCUMENTS

- D. 291,117 7/1987 Ryan D23/255
- D. 291,240 8/1987 Rademacher D23/255
- D. 347,883 6/1994 Kolapp et al. D23/257

- D. 348,510 7/1994 Gottwold D23/257
- D. 350,812 9/1994 Kolapp et al. D23/255

Primary Examiner—Stella Reid
Assistant Examiner—Eric Watterson
Attorney, Agent, or Firm—Dennison, Meserole, Pollack & Scheiner

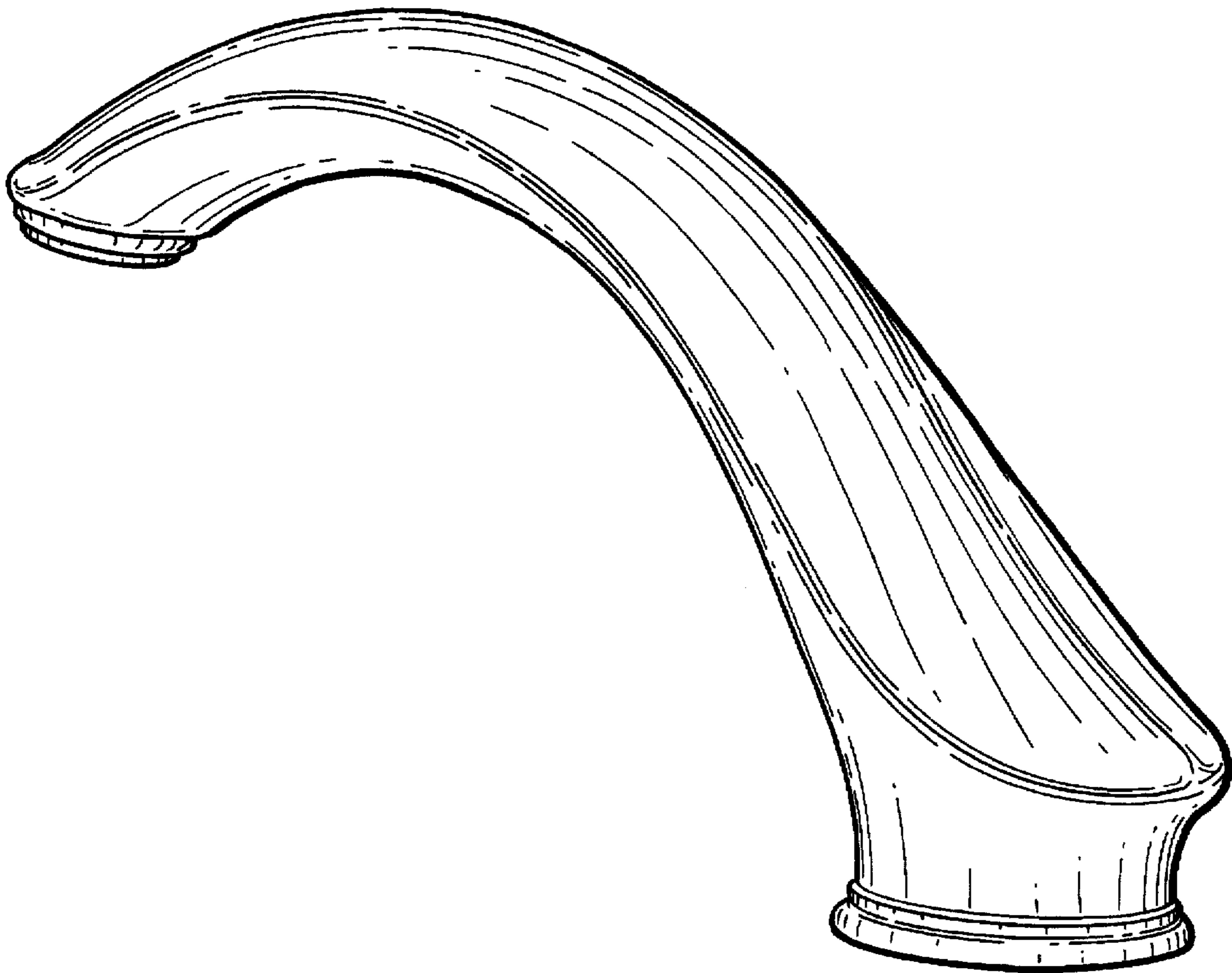
[57] **CLAIM**

The ornamental design for a faucet spout, as shown and described.

DESCRIPTION

FIG. 1 is a rear, top and side perspective of a faucet spout showing our new design;
FIG. 2 is a top plan view thereof;
FIG. 3 is a bottom plan view thereof;
FIG. 4 is a left side elevation view thereof;
FIG. 5 is a right side elevation view thereof;
FIG. 6 is a front elevation view thereof; and,
FIG. 7 is a rear elevation view thereof.

1 Claim, 3 Drawing Sheets



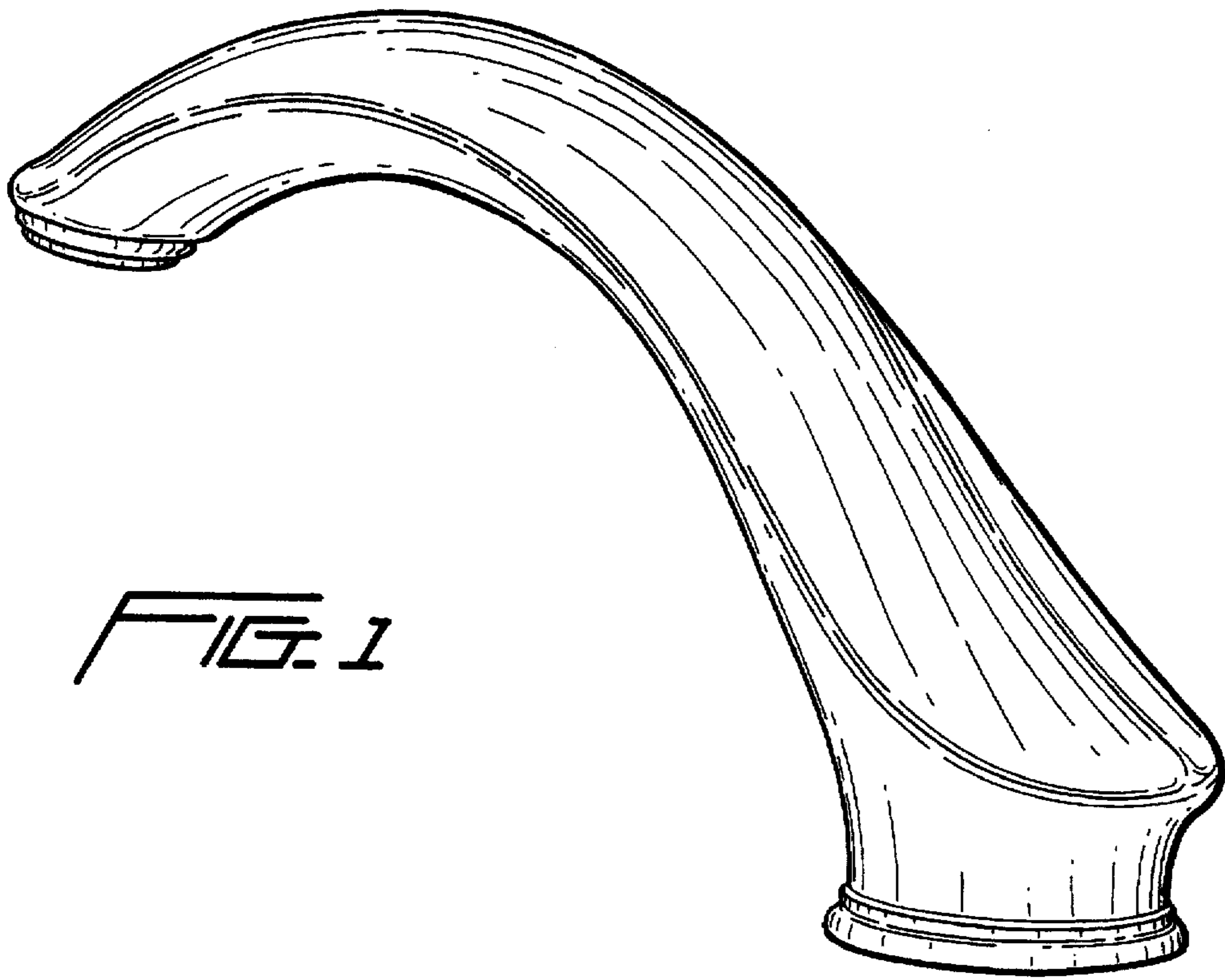


FIG. 1

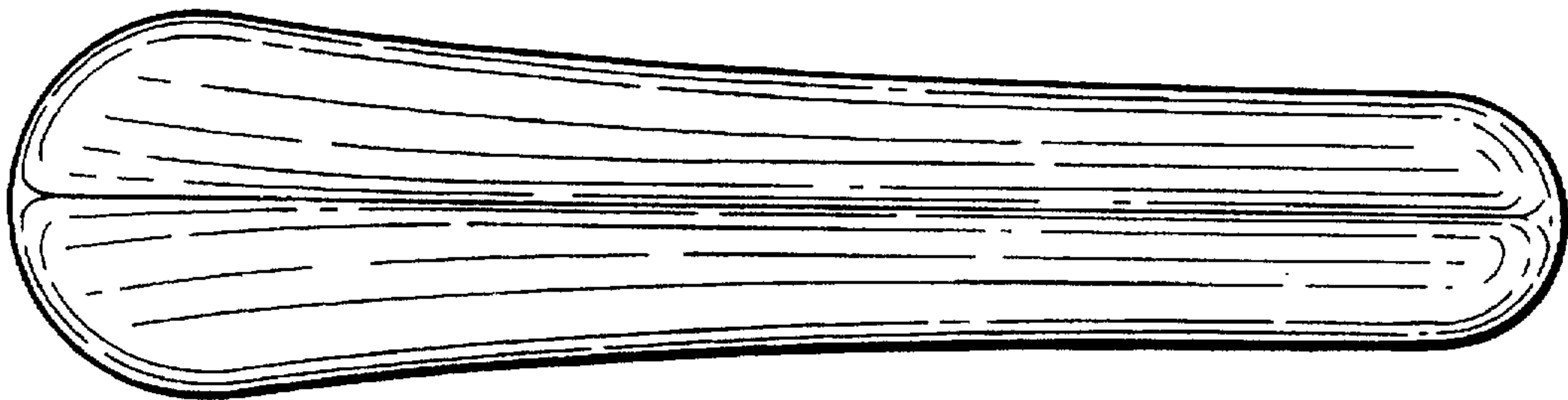


FIG. 2

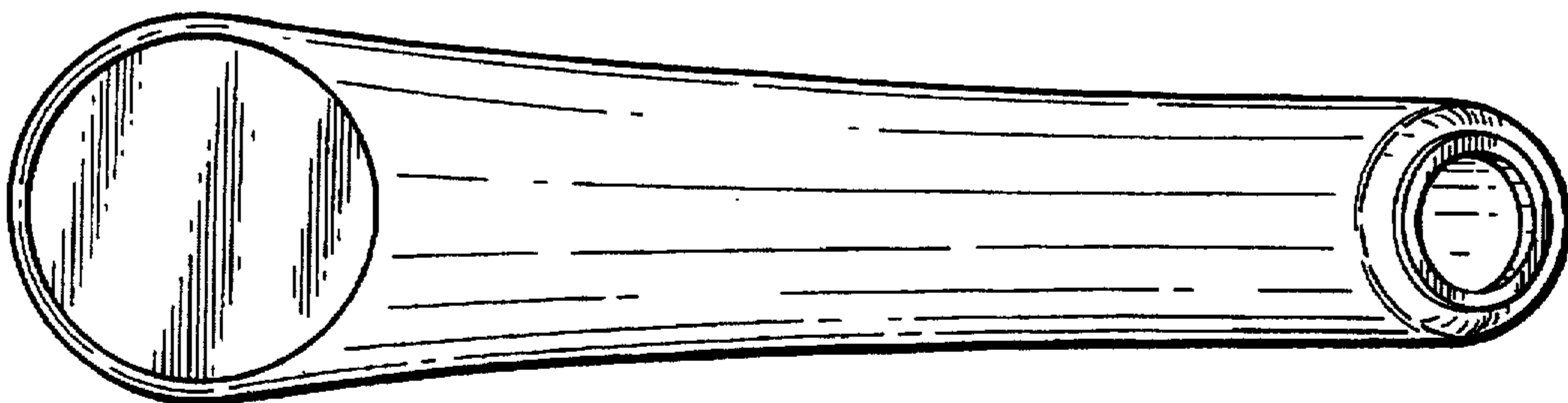
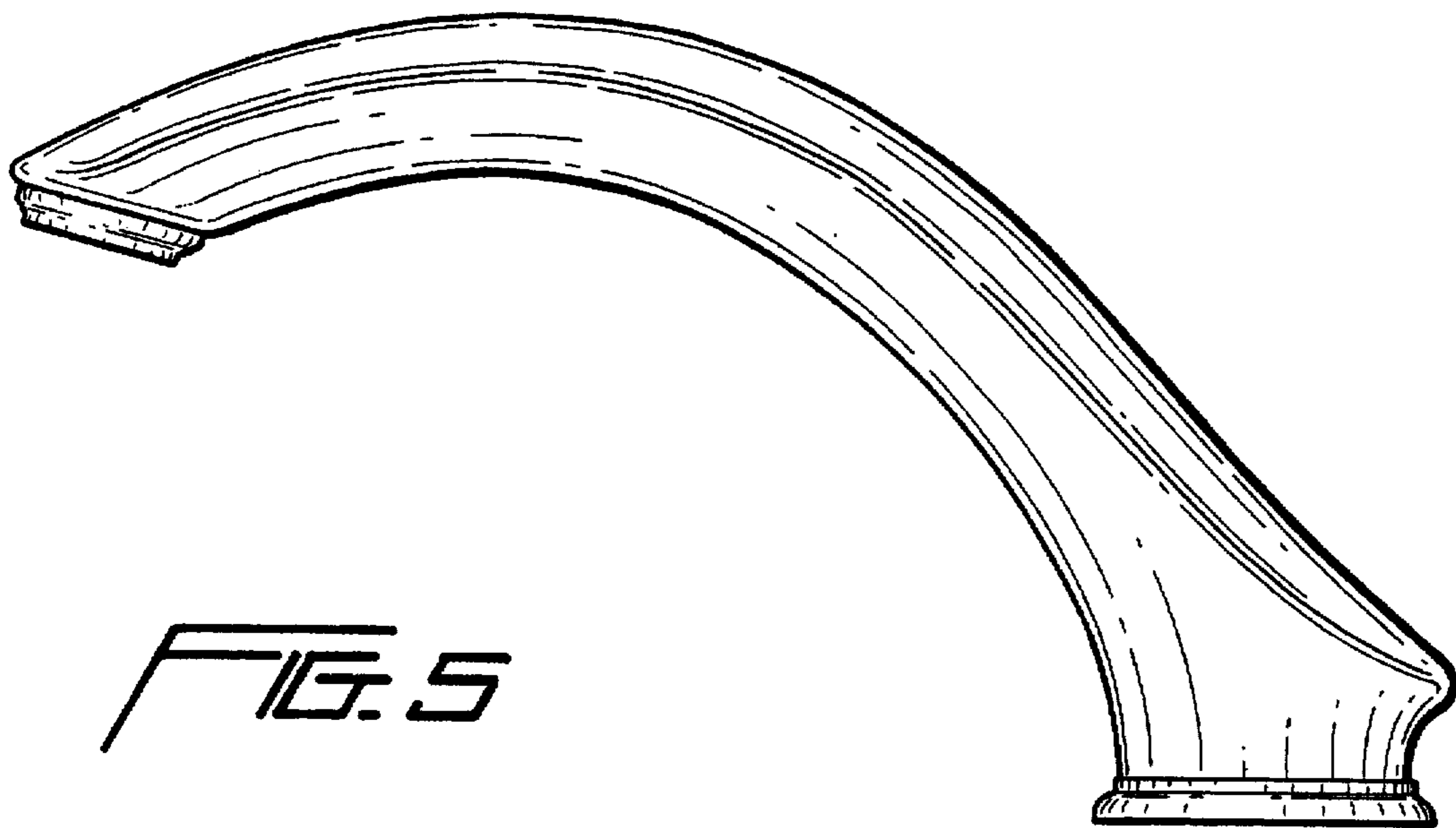
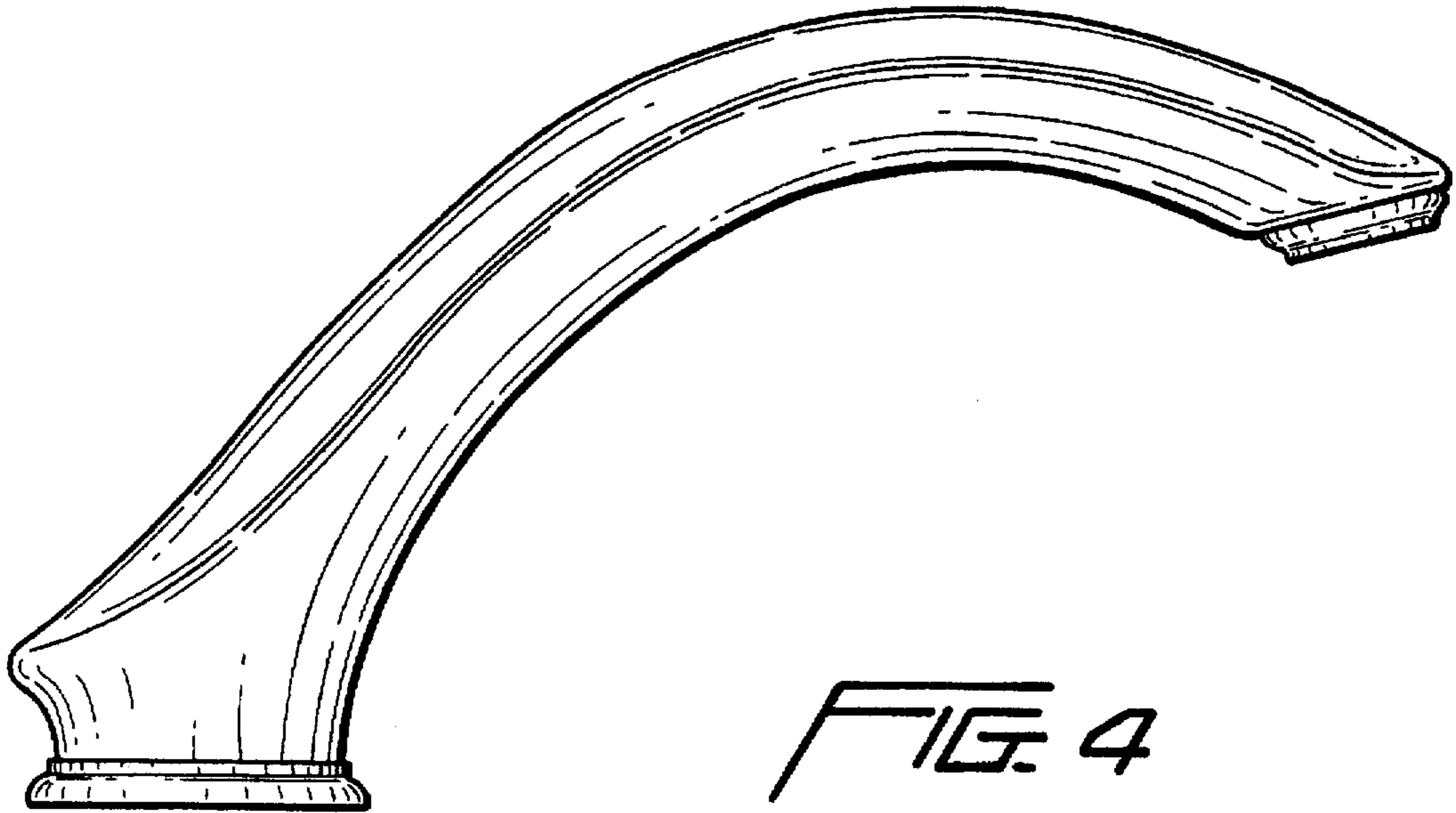


FIG. 3



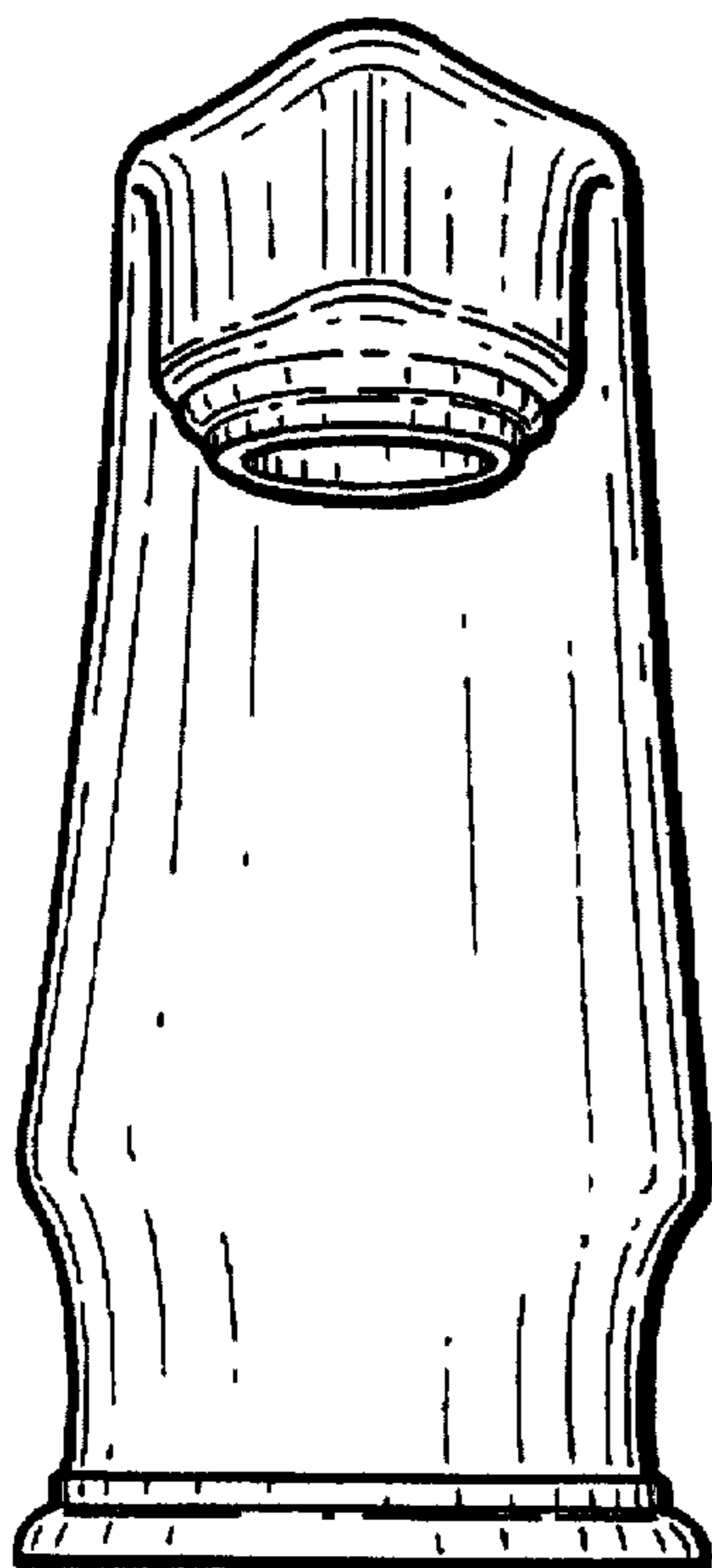


FIG. 6

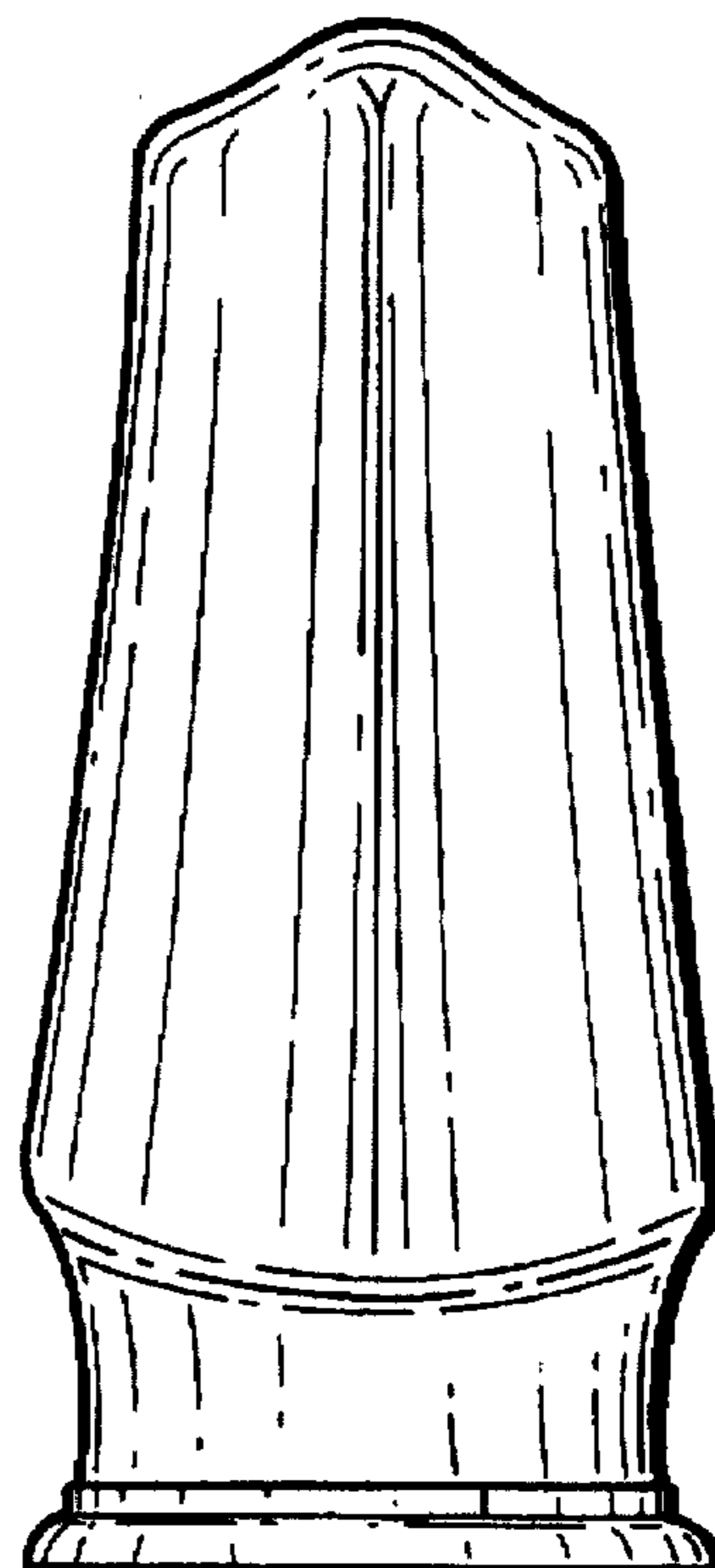


FIG. 7