



US00D385335S

United States Patent [19]

Caroen et al.

[11] Patent Number: **Des. 385,335**

[45] Date of Patent: ****Oct. 21, 1997**

[54] **SHOWER HEAD**

[75] Inventors: **Adrian Barclay Caroen**, London;
David H. Powell, Loxwood, both of
United Kingdom

[73] Assignee: **Aqualisa Products Limited**, United
Kingdom

[**] Term: **14 Years**

[21] Appl. No.: **57,007**

[22] Filed: **Jul. 15, 1996**

[30] **Foreign Application Priority Data**

Jan. 16, 1996 [GB] United Kingdom 2053416

[51] LOC (6) Cl. **23-01**

[52] U.S. Cl. **D23/230; D23/213**

[58] Field of Search **D23/213, 223-226,**
D23/229, 230; 239/525, 526, 548, 550,
556, 559

[56] **References Cited**

U.S. PATENT DOCUMENTS

D. 77,442 1/1929 Smith D23/213

D. 101,440 10/1936 Dreyfuss D23/230
D. 260,809 9/1981 Fleischmann et al. D23/229
D. 269,118 5/1983 Thompson D23/230
4,072,397 2/1978 Ross 4/597

OTHER PUBLICATIONS

Kohler catalog, Item #K-11741/K-7395 economy shower-
head, p. 14 1994.

Primary Examiner—Brian N. Vinson

Assistant Examiner—Robin V. Taylor

Attorney, Agent, or Firm—Harness, Dickey & Pierce, P.L.

[57] **CLAIM**

The ornamental design for a shower head, as shown and
described.

DESCRIPTION

FIG. 1 is a perspective view taken from the right side, front
and bottom of a shower head according to the invention;

FIG. 2 is a top view thereof;

FIG. 3 is a left side view thereof; and,

FIG. 4 is a front view thereof.

The broken line showing is for illustrative purposes only and
forms no part of the claimed design.

1 Claim, 2 Drawing Sheets

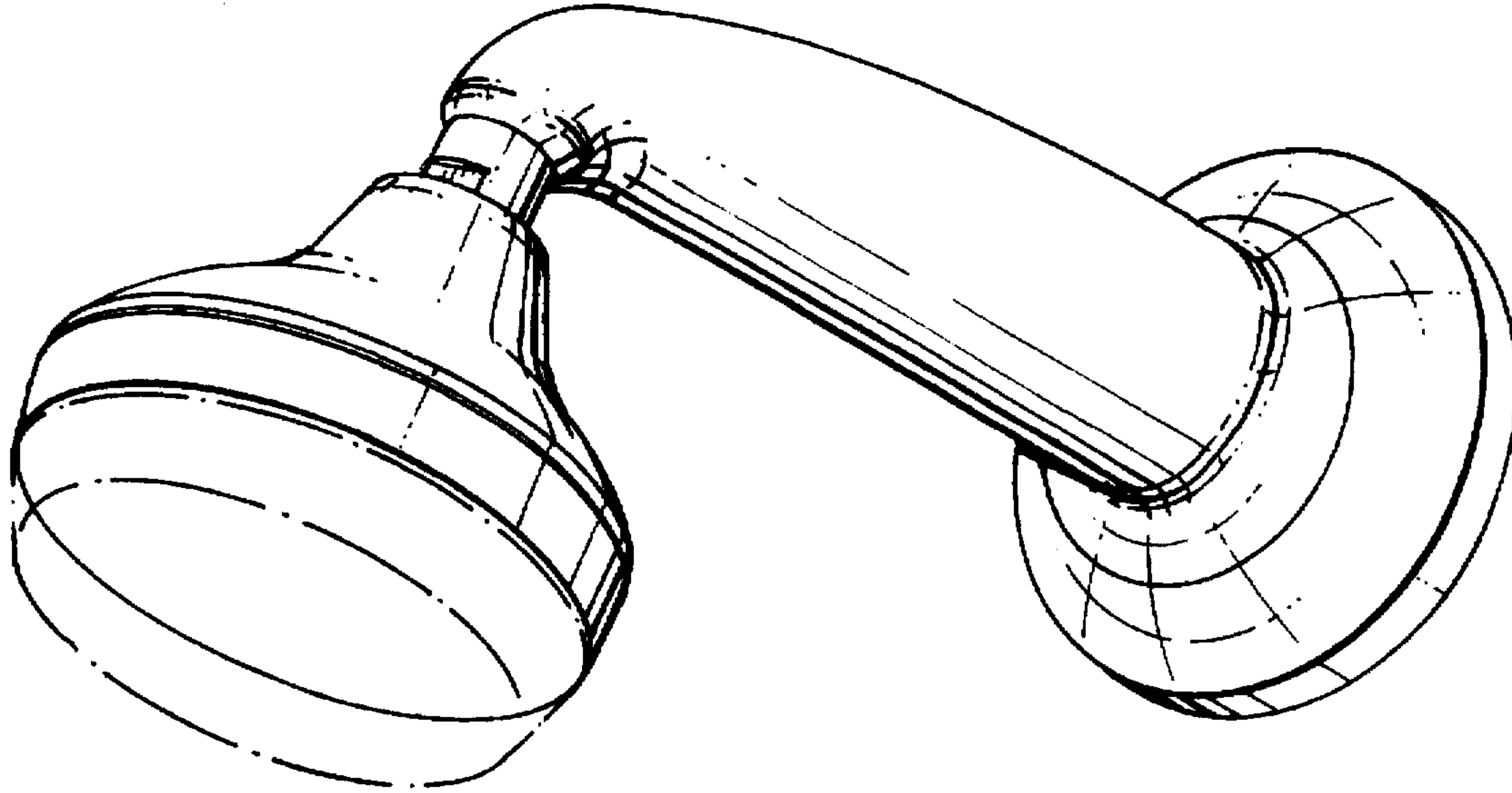


Fig.1.

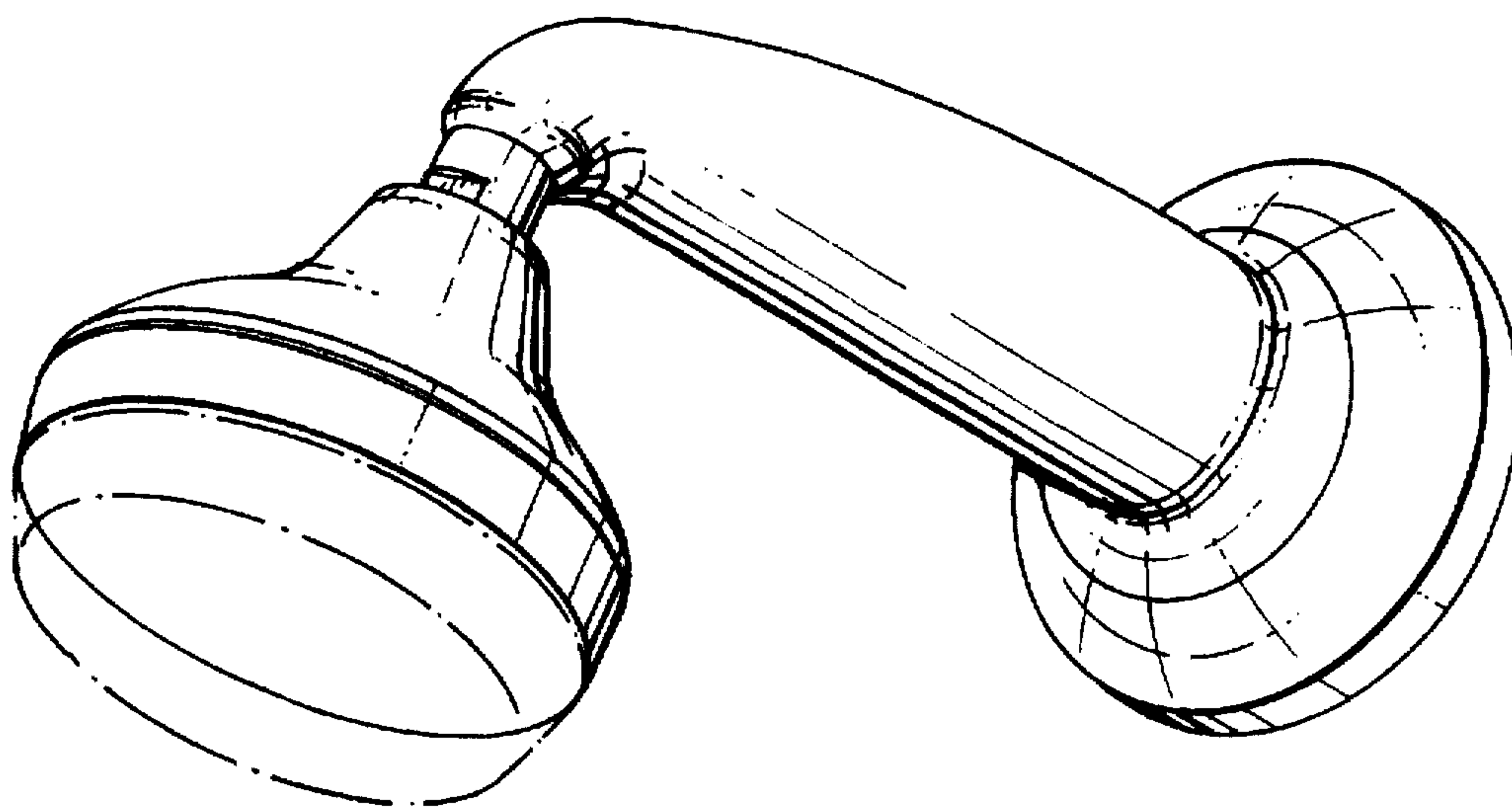


Fig.2.

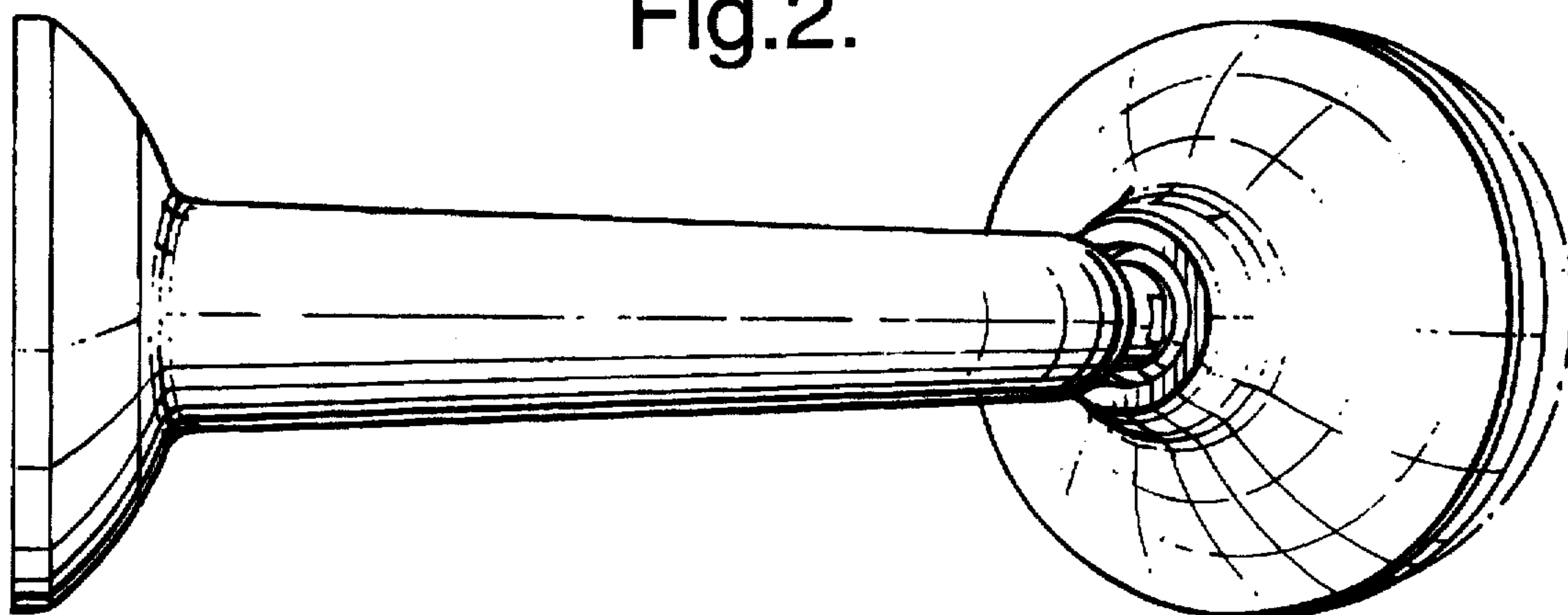


Fig.3.

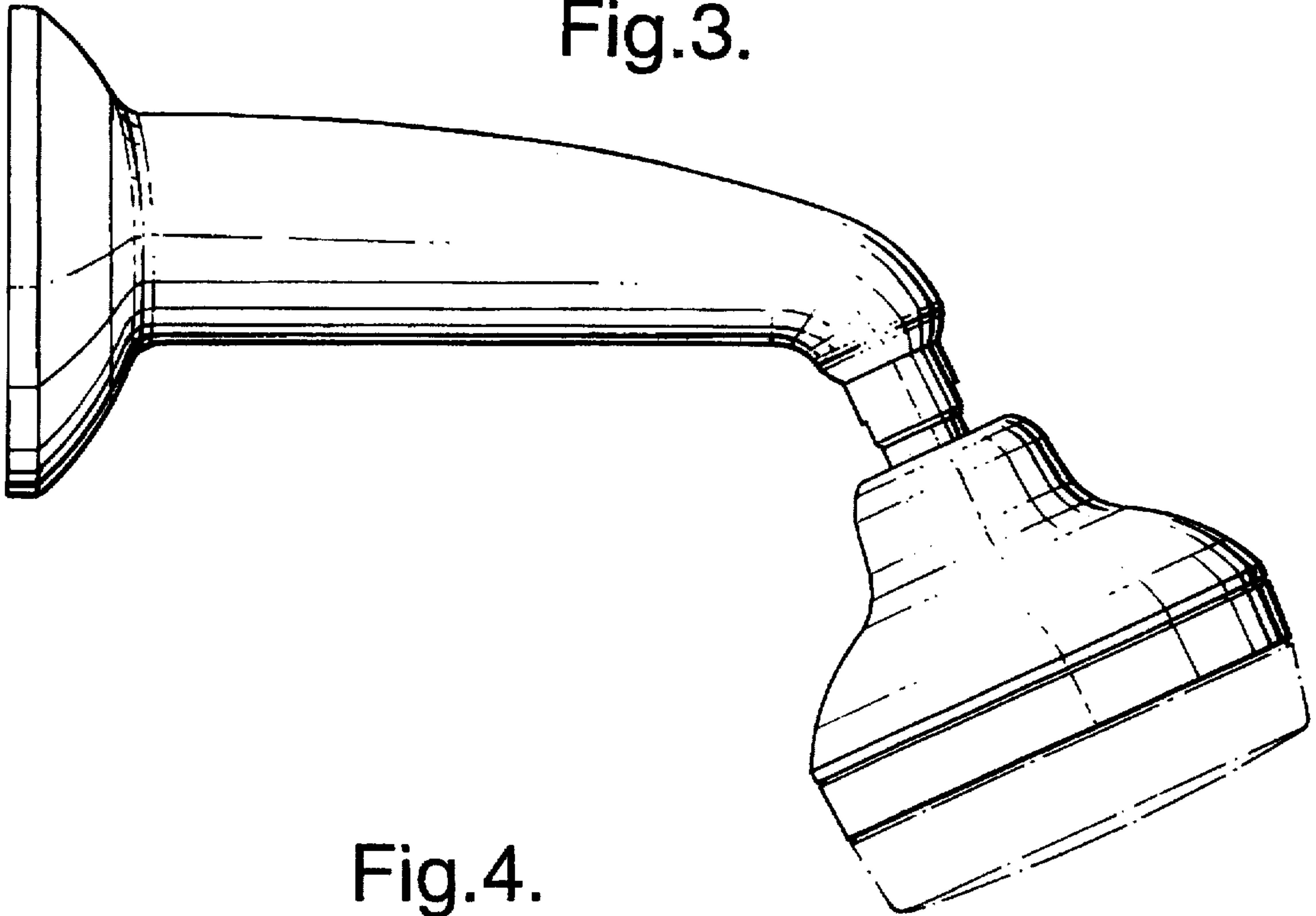


Fig.4.

