



US00D385324S

United States Patent [19]
Ubaney

[11] **Patent Number:** **Des. 385,324**
[45] **Date of Patent:** ****Oct. 21, 1997**

[54] **GOLF PUTTING TRAINING AID**

Attorney, Agent, or Firm—Rodger H. Flagg

[76] **Inventor:** **Stephen B. Ubaney**, 8 Seymour St.,
Fredonia, N.Y. 14063

[57] **CLAIM**

[**] **Term:** **14 Years**

The ornamental design for a golf putting training aid, as shown and described.

[21] **Appl. No.:** **60,662**

DESCRIPTION

[22] **Filed:** **Oct. 3, 1996**

[51] **LOC (6) Cl.** **21-02**

FIG. 1 is a perspective view of a golf putting training aid, the broken line showing of a golf club head is for illustrative purposes only and forms no part of the claimed design;

[52] **U.S. Cl.** **D21/234; D21/221; D21/217**

[58] **Field of Search** **D21/217-219,**
D21/221, 234; 473/251-256, 340, 341

FIG. 2 is a front elevational view of the golf putting training aid;

[56] **References Cited**

FIG. 3 is a top plan view of the golf putting training aid, the undisclosed opposite side being a mirror image; and,

U.S. PATENT DOCUMENTS

4,962,927 10/1990 Colucci 473/286 X

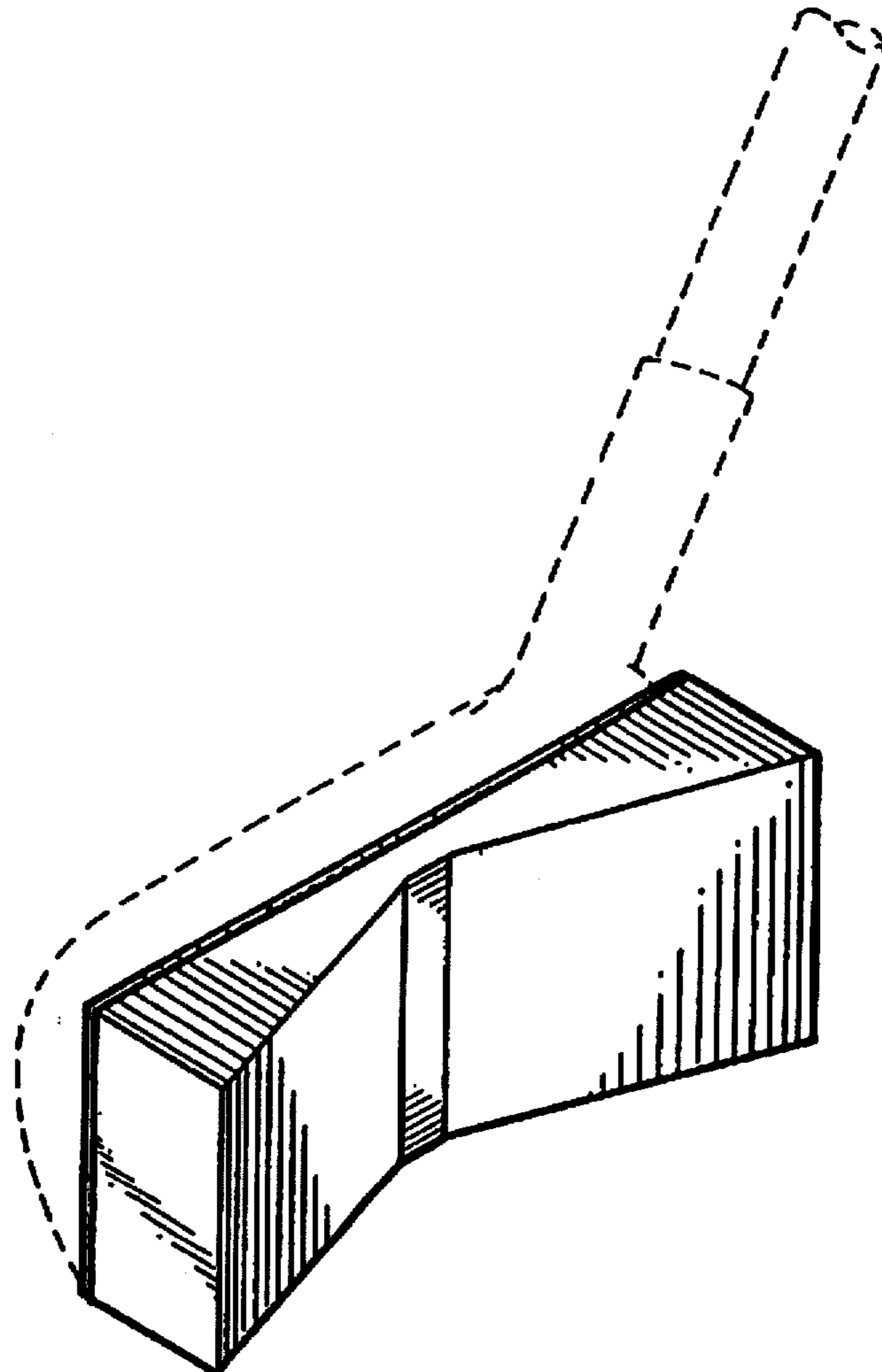
FIG. 4 is a left side elevational view of the golf putting training aid, the undisclosed opposite side being a mirror image.

OTHER PUBLICATIONS

Golf Digest; p. 82; T-bone putter, middle of page. Jul. 1972.

Primary Examiner—Raphael Barkai
Assistant Examiner—Mitchell J. Siegel

1 Claim, 1 Drawing Sheet



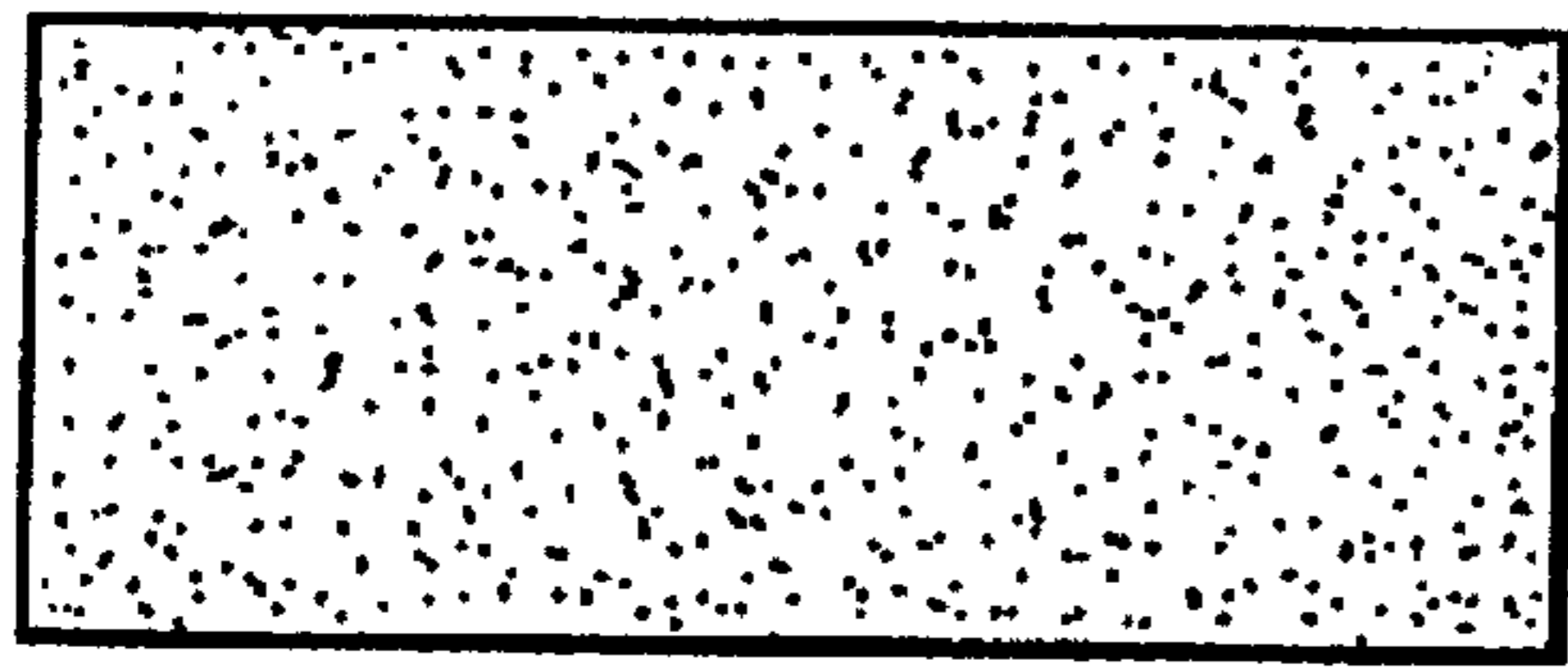


FIG. 5

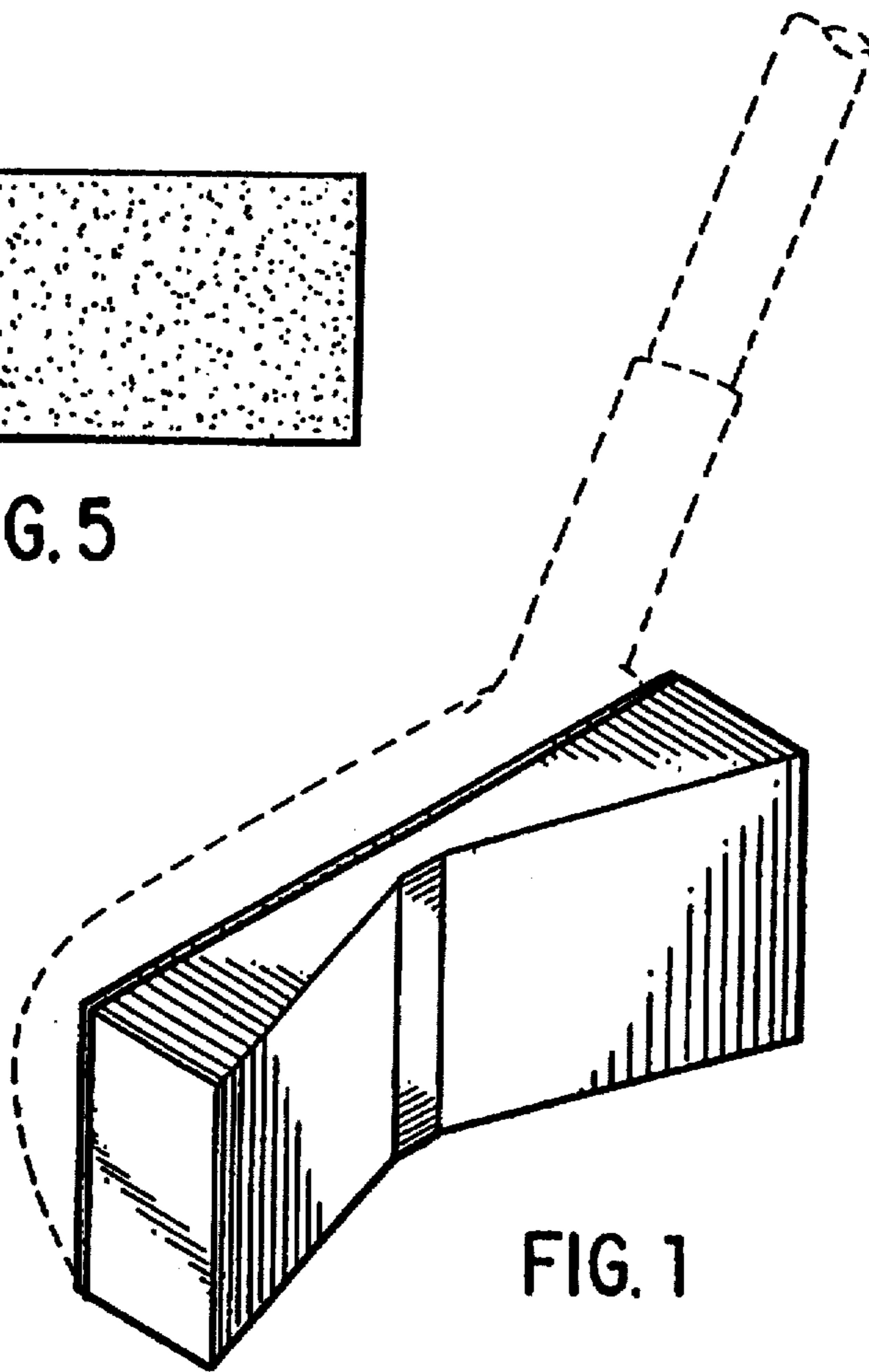


FIG. 1

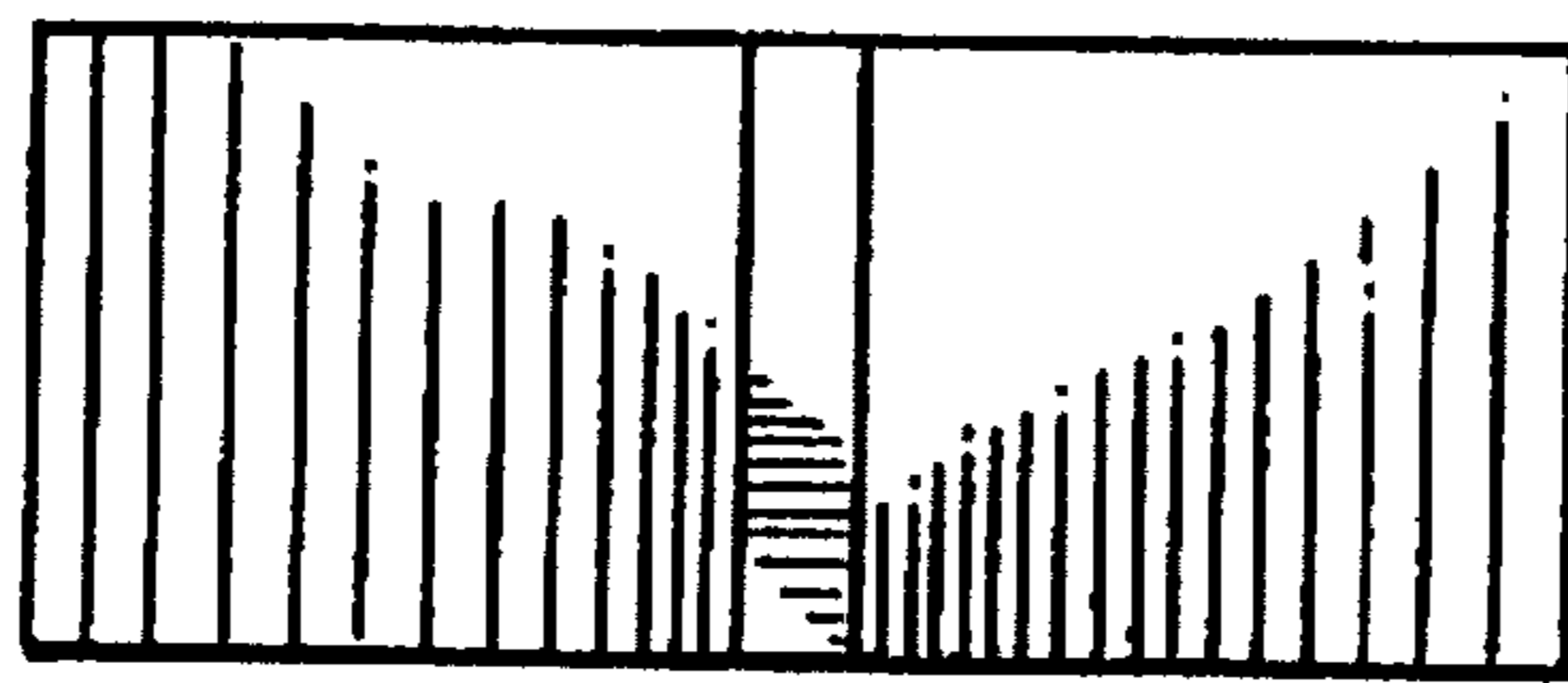


FIG. 2

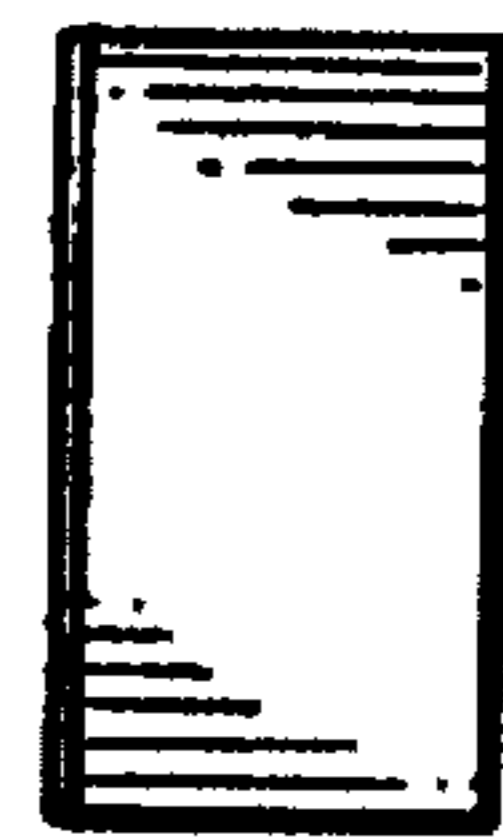


FIG. 4

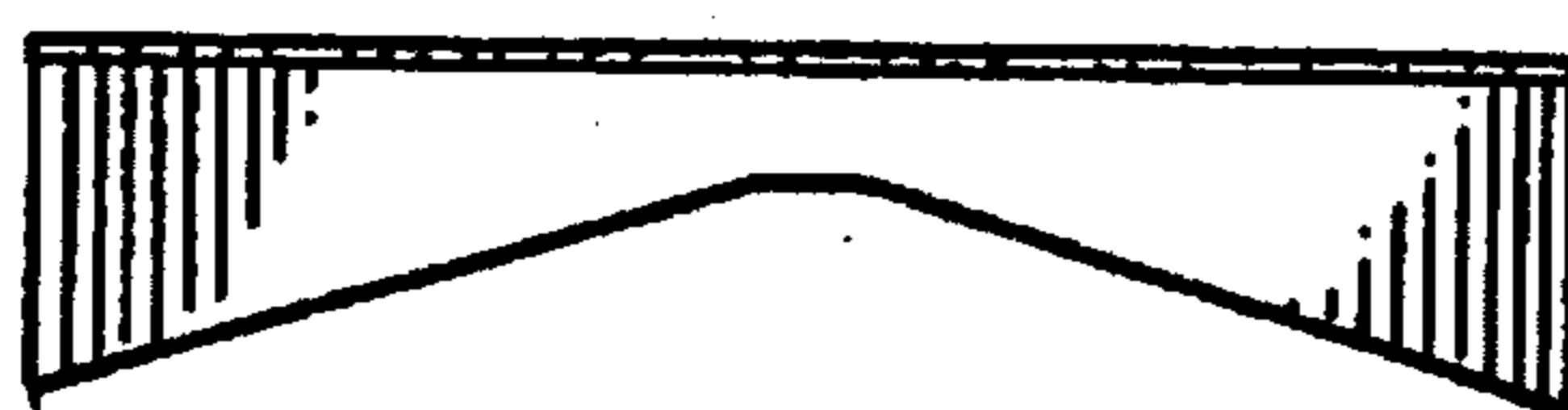


FIG. 3