



US00D385319S

# United States Patent [19]

[11] Patent Number: **Des. 385,319**

Lucas

[45] Date of Patent: **\*\*Oct. 21, 1997**

[54] **HAND EXERCISER**

*Primary Examiner*—Sandra L. Morris  
*Attorney, Agent, or Firm*—James E. Brunton

[76] Inventor: **Stephen S. Lucas**, 1555 Artesia Blvd., #4, Manhattan Beach, Calif. 90266

[57] **CLAIM**

[\*\*] Term: **14 Years**

The ornamental design for a hand exerciser, as shown and described.

[21] Appl. No.: **55,698**

**DESCRIPTION**

[22] Filed: **Jun. 11, 1996**

[51] LOC (6) Cl. .... **21-02**

FIG. 1 is a perspective view of a hand exerciser, showing my new design, the broken line showing of the hand is for illustrative purposes only, and forms no part of the claimed design;

[52] U.S. Cl. .... **D21/198**

FIG. 2 is a side elevational view thereof, the opposite side being identical thereto;

[58] Field of Search ..... D21/191, 198;  
482/44, 47, 49, 50, 79

FIG. 3 is a front view thereof, the rear view being identical thereto; and,

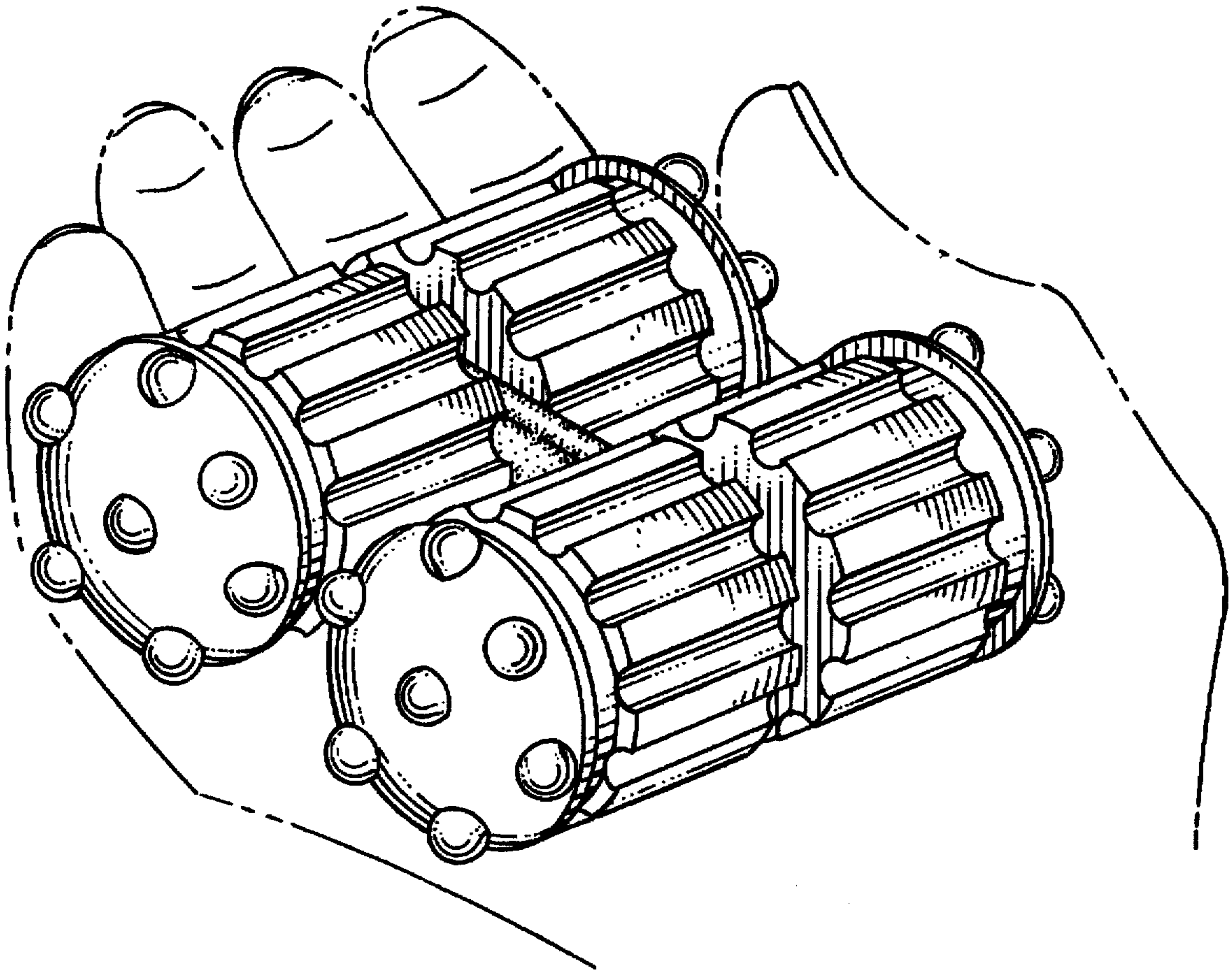
[56] **References Cited**

**U.S. PATENT DOCUMENTS**

FIG. 4 is a top plan view thereof; the bottom being identical thereto.

D. 224,946	10/1972	Ramel	.....	D21/198
D. 357,952	5/1995	Chen	.....	D21/198
4,648,387	3/1987	Simmons	.....	482/79
4,964,630	10/1990	Curtiss	.....	482/44
5,299,991	4/1994	Sato	.....	482/44

**1 Claim, 1 Drawing Sheet**



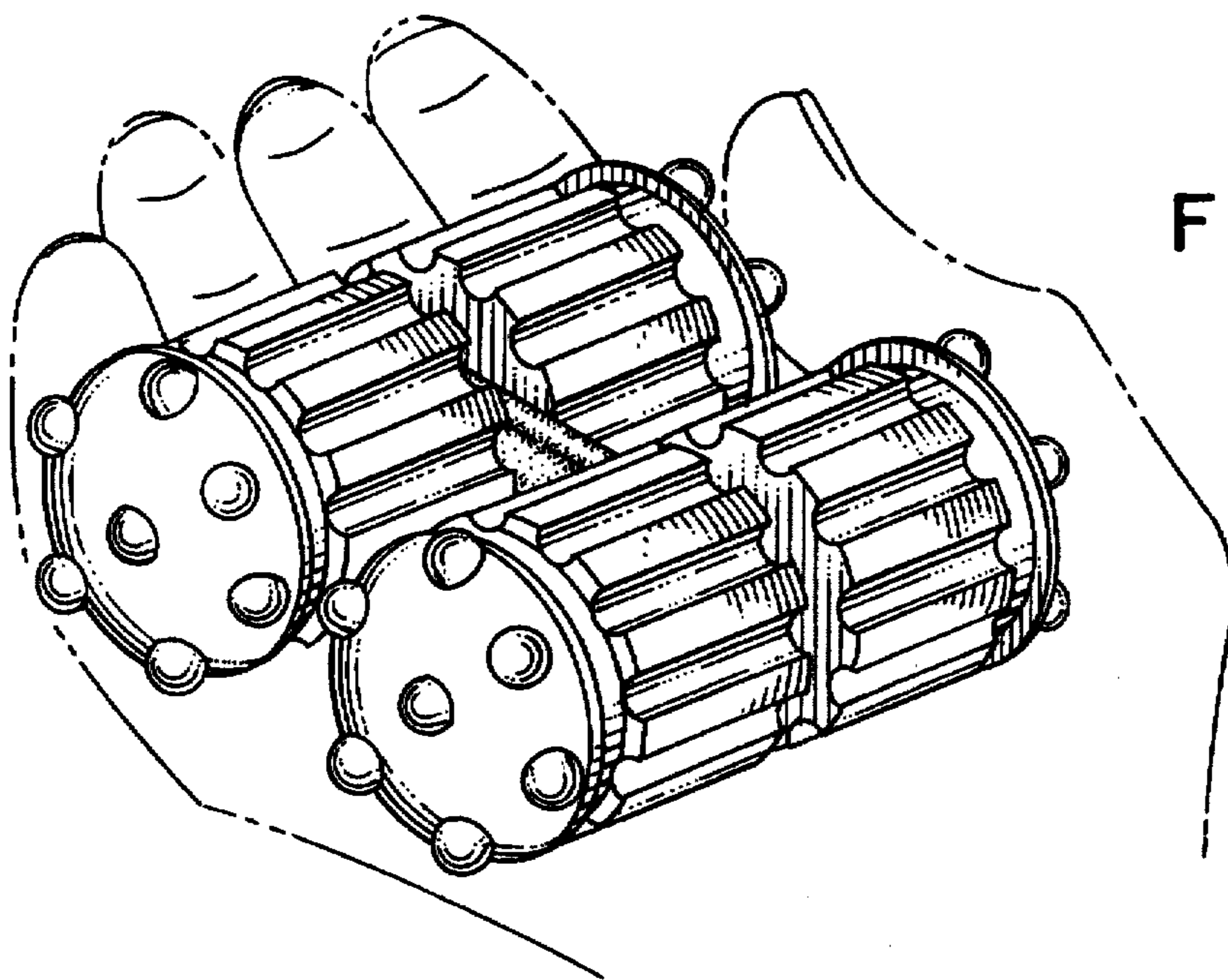


FIG. 1

FIG. 2

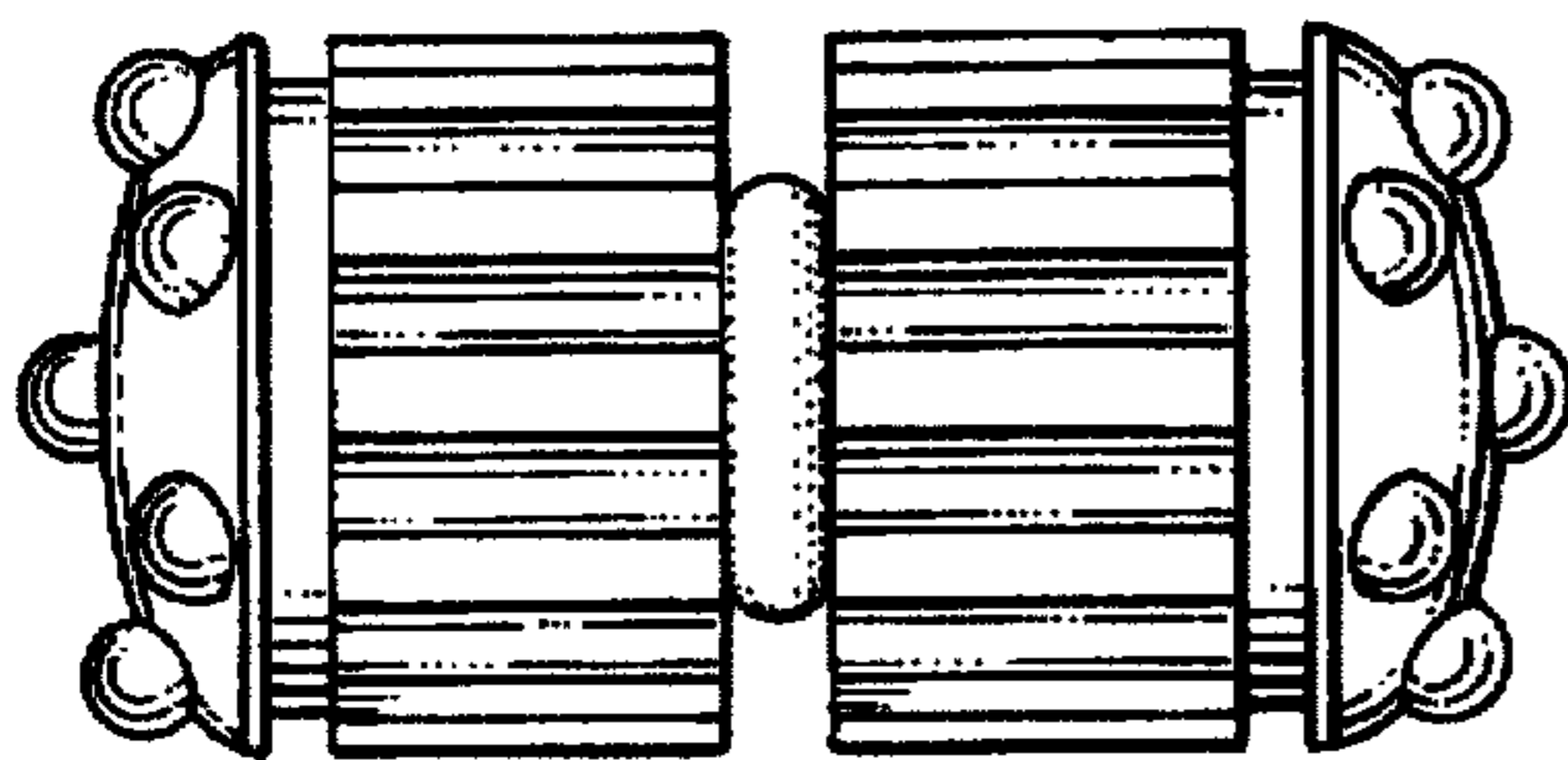
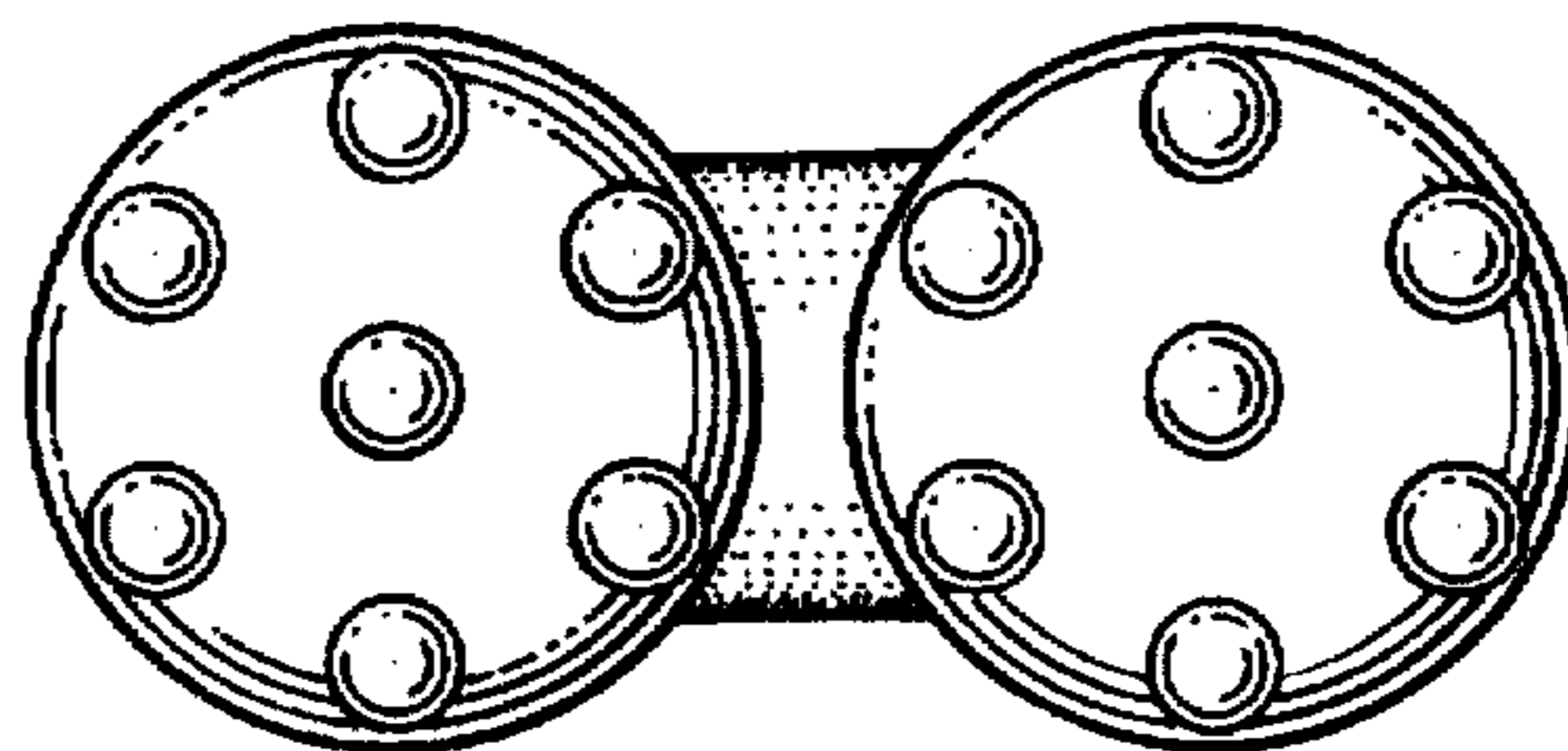


FIG. 3

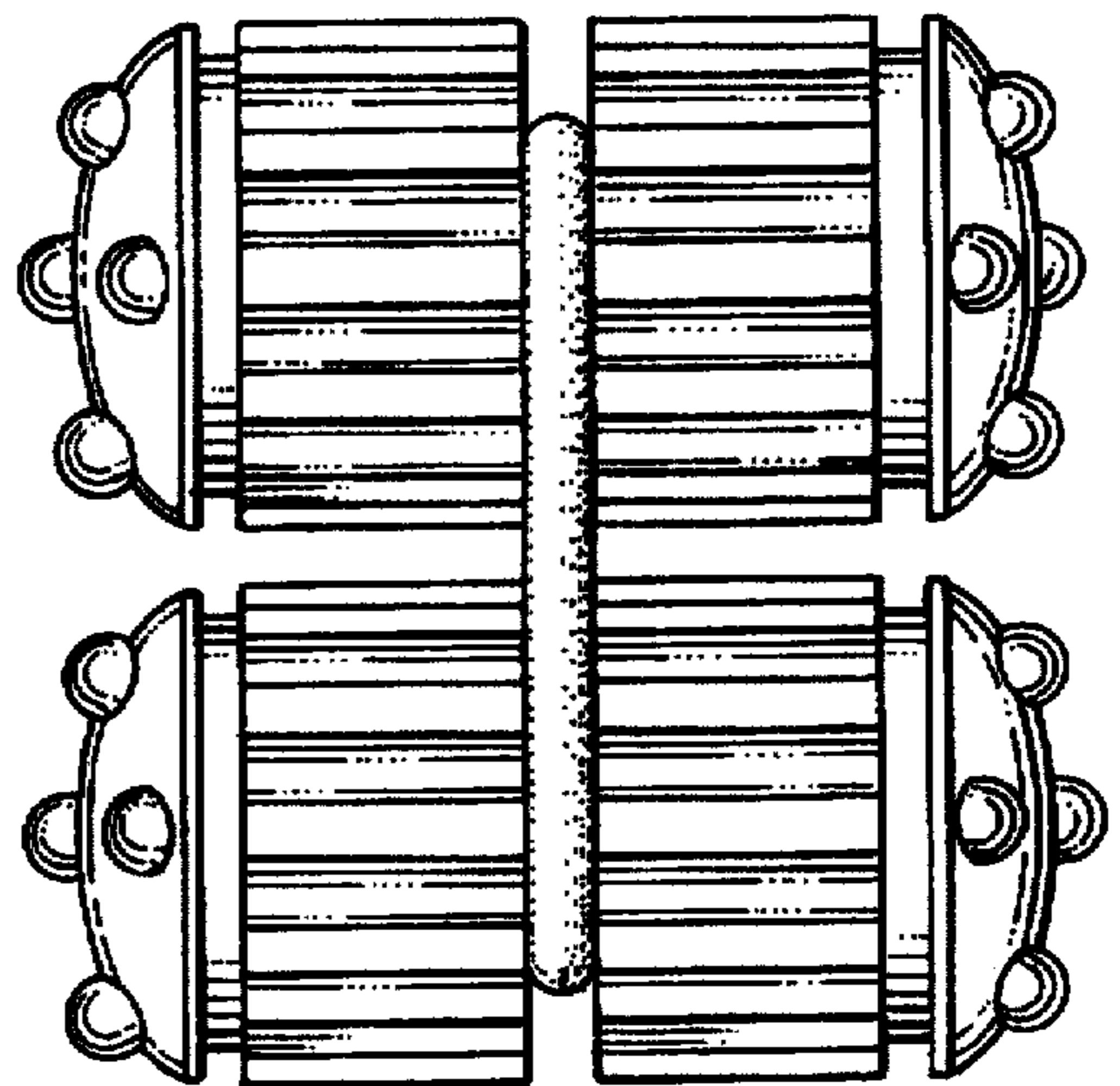


FIG. 4