



US00D385307S

United States Patent [19]

[11] Patent Number: **Des. 385,307**

Balkisson et al.

[45] Date of Patent: ****Oct. 21, 1997**

[54] **TABLE GAME**

FOREIGN PATENT DOCUMENTS

[76] Inventors: **Cyril J. Balkisson; Pamela A. Balkisson**, both of 5 Exbury Court, Thornlie WA 6108, Australia

3936709 5/1990 Germany 273/239

[**] Term: **14 Years**

OTHER PUBLICATIONS

International Games Family Fun 1985, p. 13 game board.

[21] Appl. No.: **47,737**

Primary Examiner—Sandra L. Morris
Attorney, Agent, or Firm—Harold H. Dutton, Jr.

[22] Filed: **Dec. 12, 1995**

[57] CLAIM

[51] **LOC (6) Cl.** **21-01**

The ornamental design for a table game, as shown.

[52] **U.S. Cl.** **D21/26; D21/37; D21/16**

DESCRIPTION

[58] **Field of Search** **D21/14-37, 232; 273/236-288**

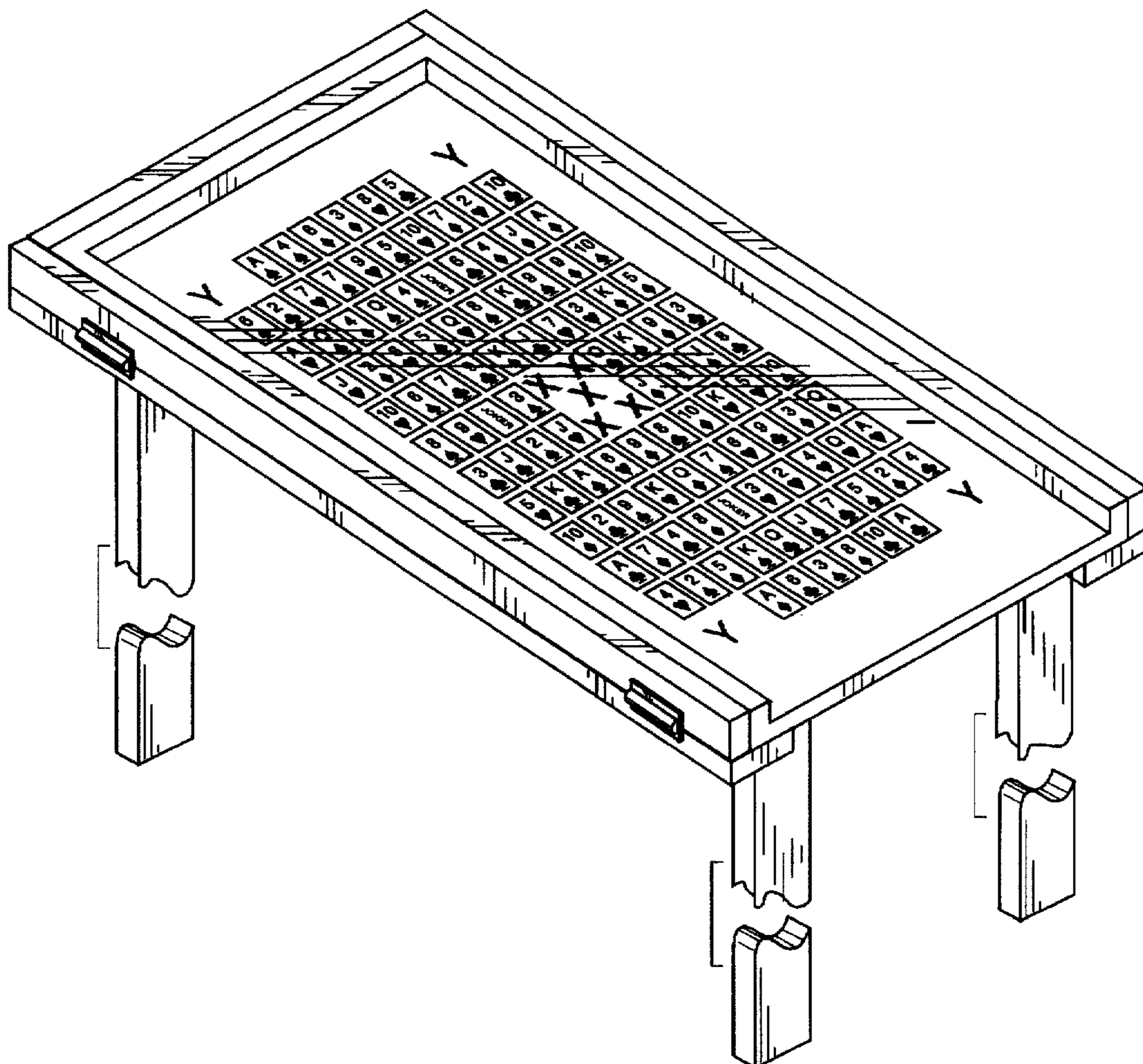
FIG. 1 is a perspective view of a table game showing the table portion thereof showing our new design;
FIG. 2 is a right side view thereof;
FIG. 3 is a left side view thereof;
FIG. 4 is a front side view thereof;
FIG. 5 is a rear edge view thereof; and,
FIG. 6 is an enlarged detailed view of the playing surface of the table game, shown broken away for ease of illustration. The table legs are shown broken away, due to indeterminate length.

[56] References Cited

U.S. PATENT DOCUMENTS

| | | | | |
|------------|---------|-------------------|-------|---------|
| D. 246,674 | 12/1977 | Cecchetti | | D21/19 |
| D. 265,415 | 7/1982 | Bighaus | | D21/232 |
| D. 297,441 | 8/1988 | Smith, III et al. | | D21/26 |
| D. 369,626 | 5/1996 | Cartwright et al. | | D21/20 |
| 1,369,992 | 3/1921 | Turner | | D21/16 |
| 1,616,884 | 2/1927 | Bosley et al. | | D21/26 |
| 2,596,259 | 5/1952 | Lewis, Sr. | | 273/237 |
| 3,069,168 | 12/1962 | Feldman et al. | | 273/285 |
| 5,100,139 | 3/1992 | Di Bella | | 273/269 |

1 Claim, 4 Drawing Sheets



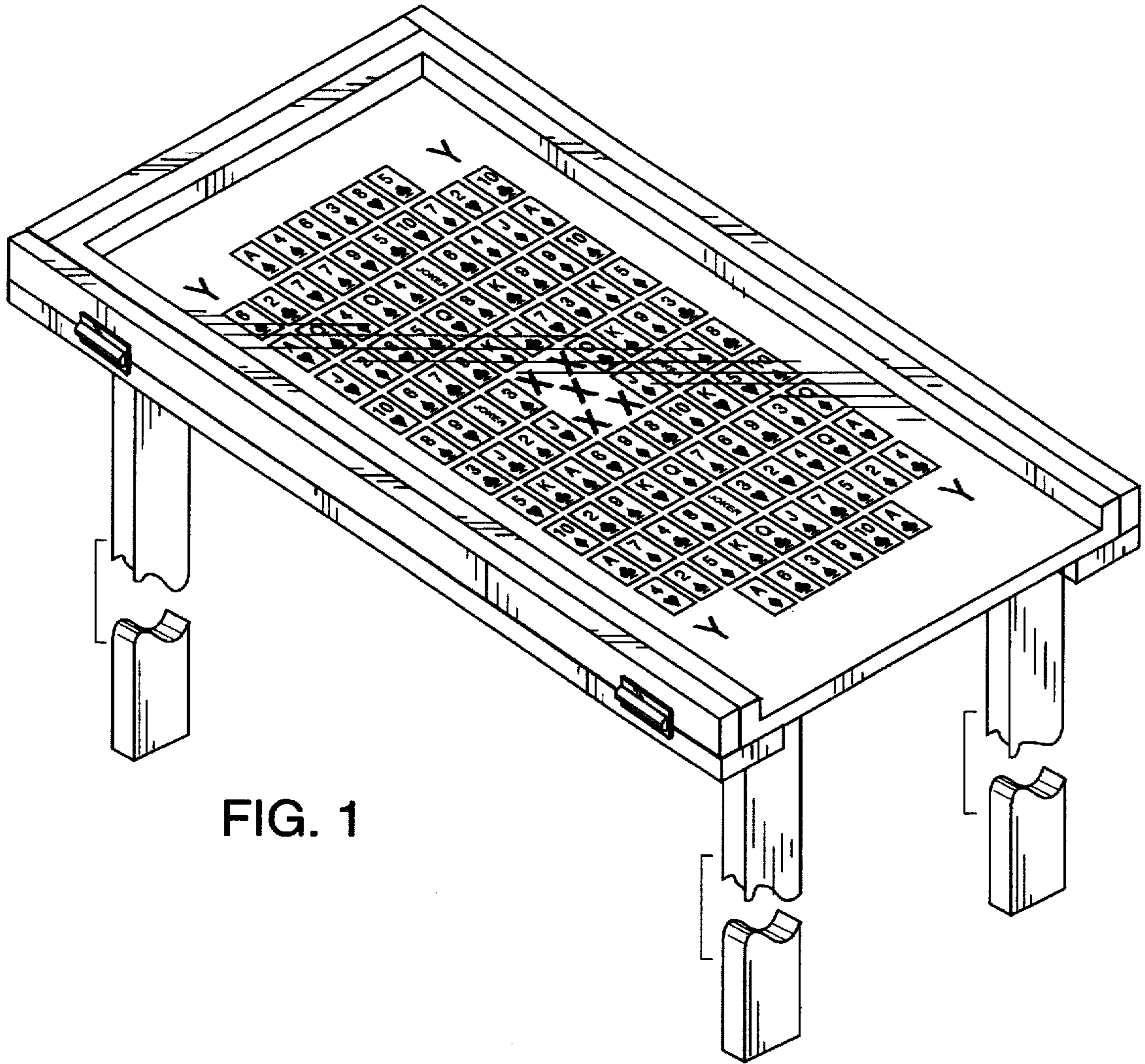


FIG. 1

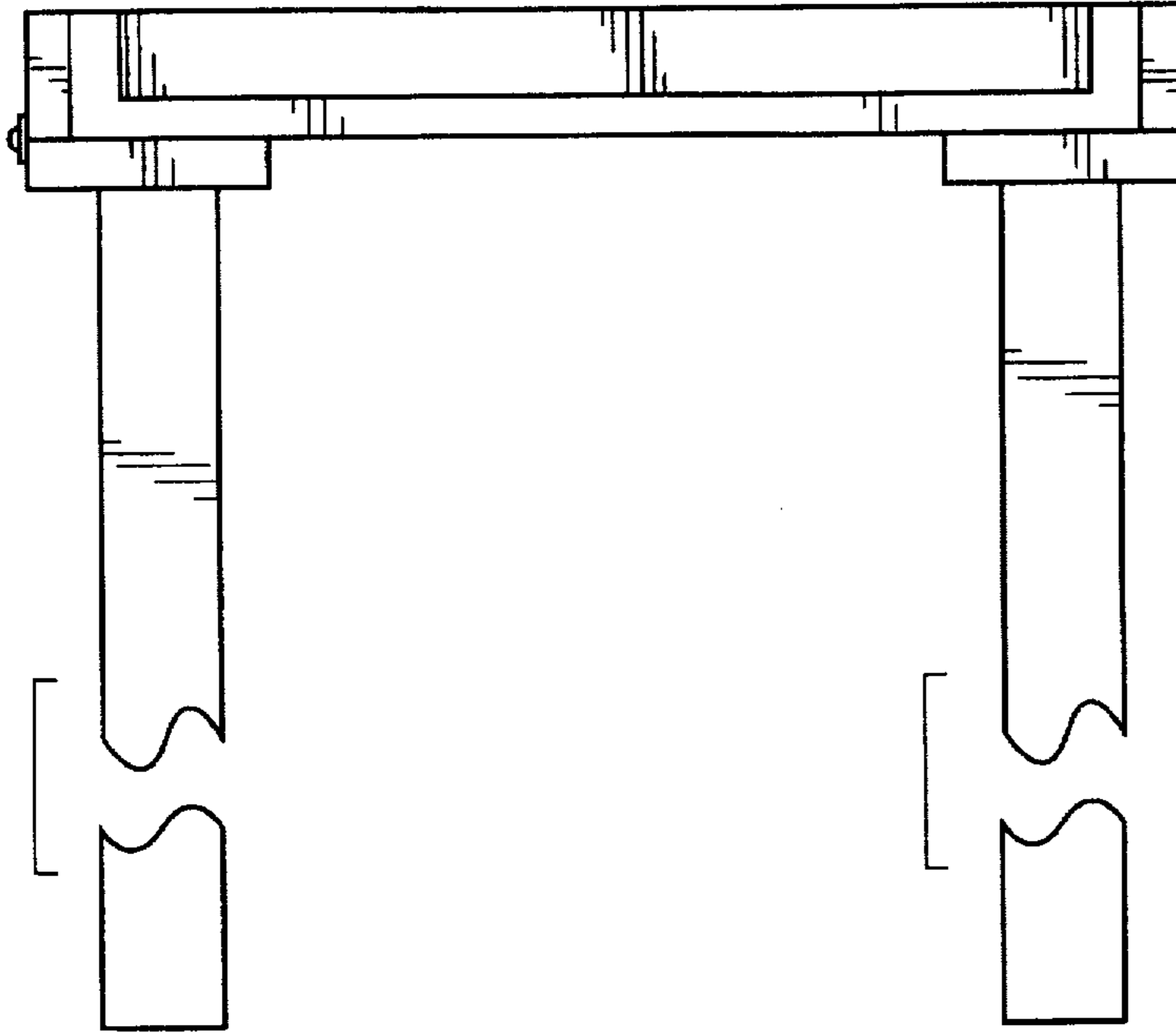


FIG. 2

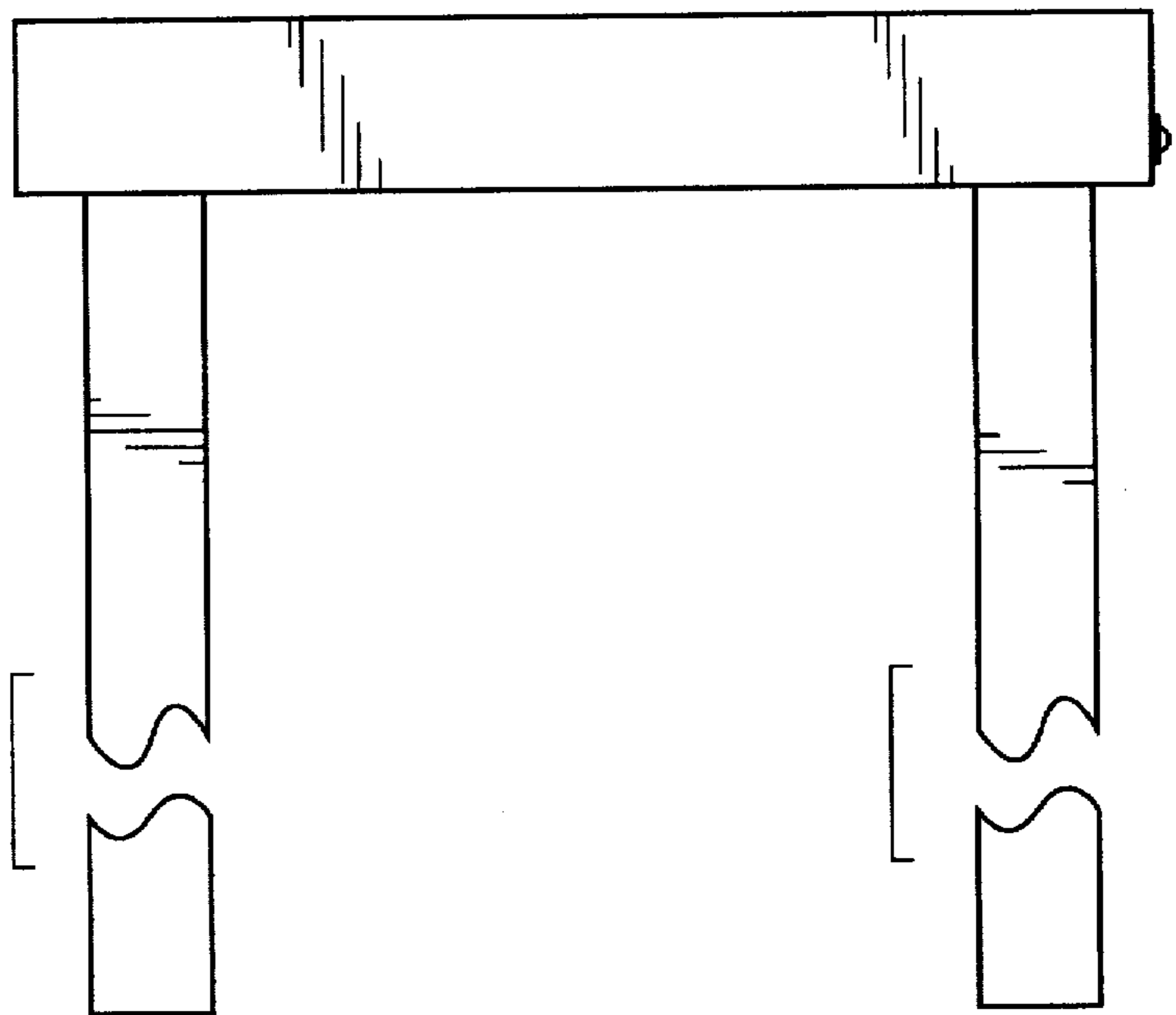
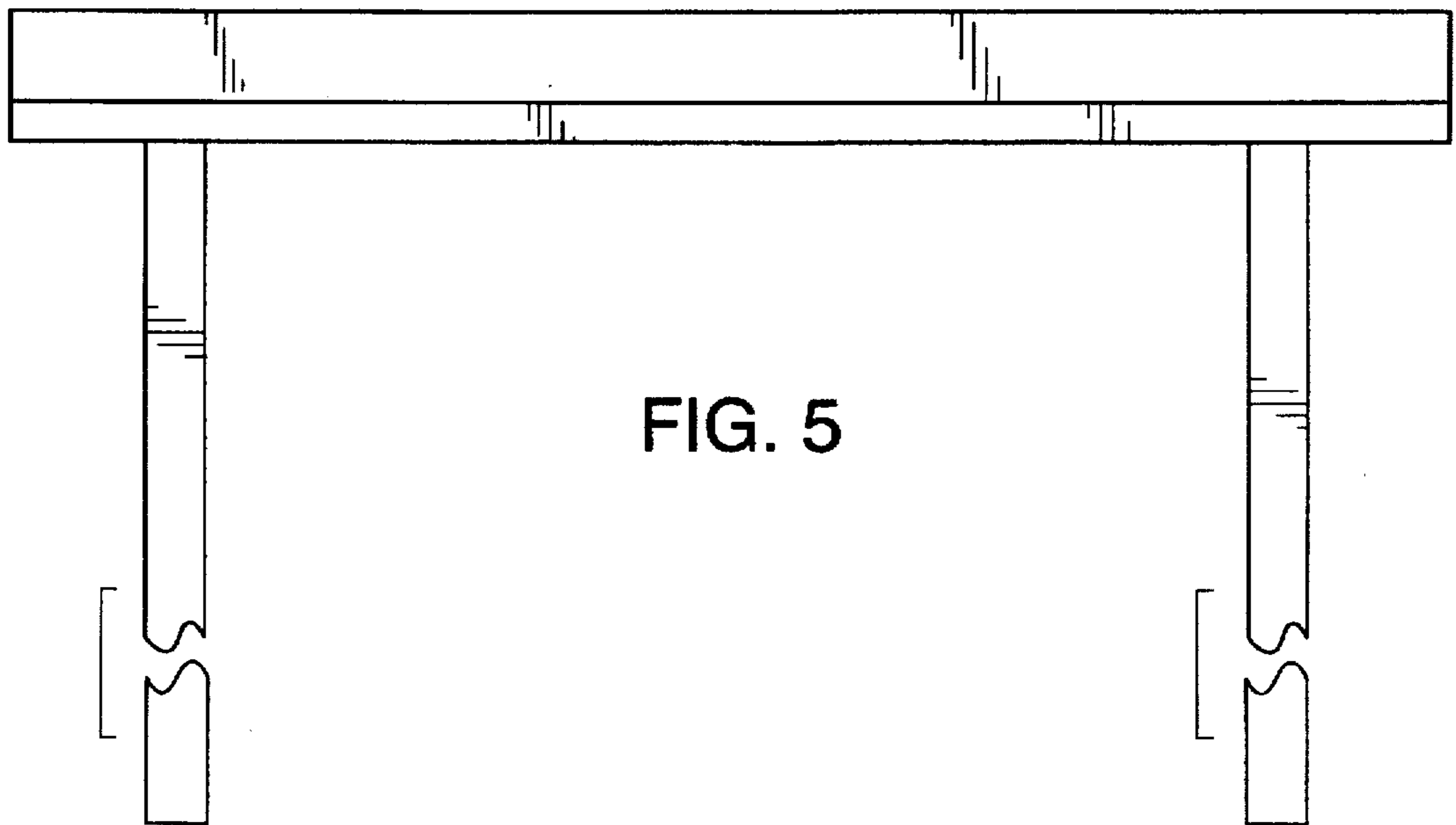
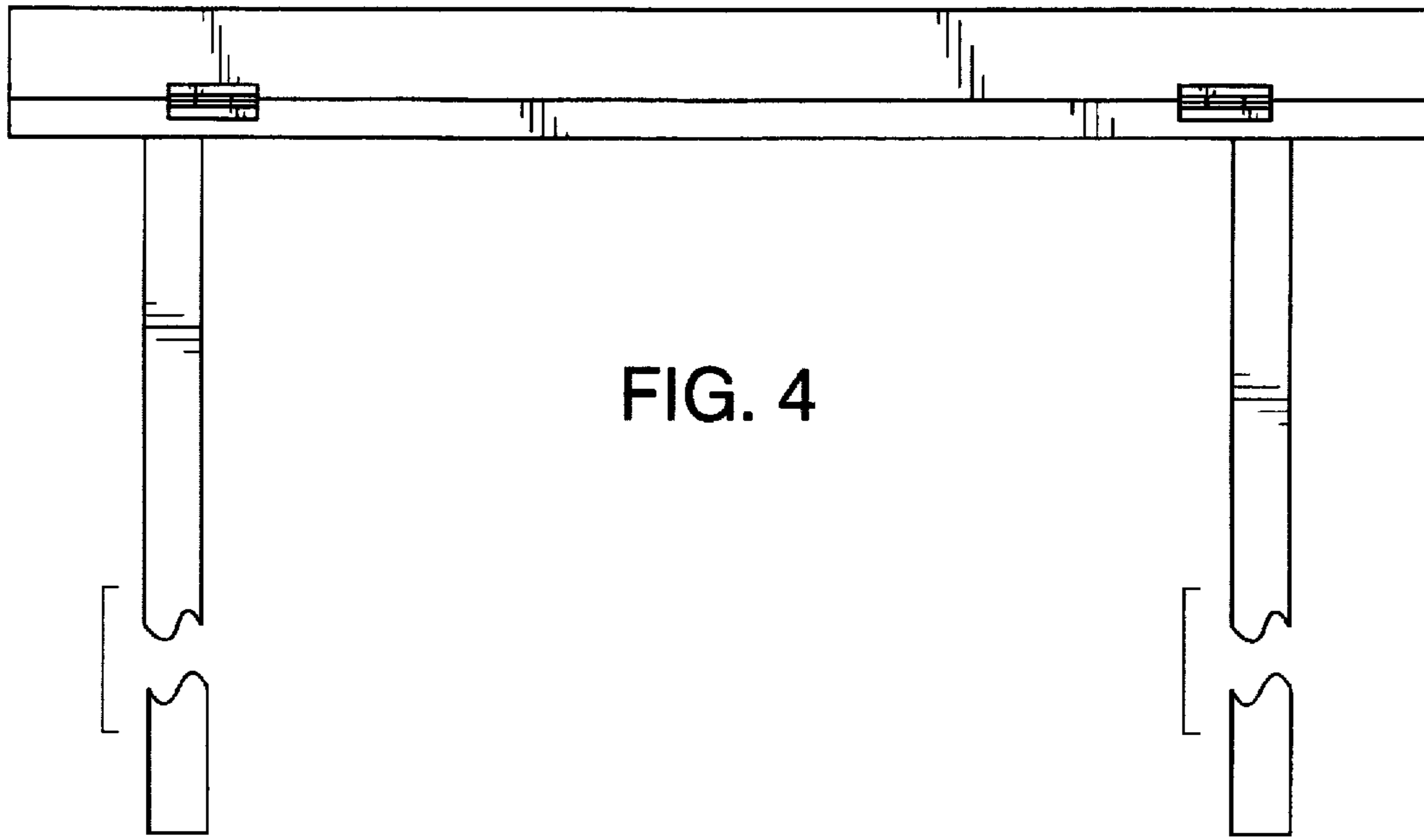


FIG. 3



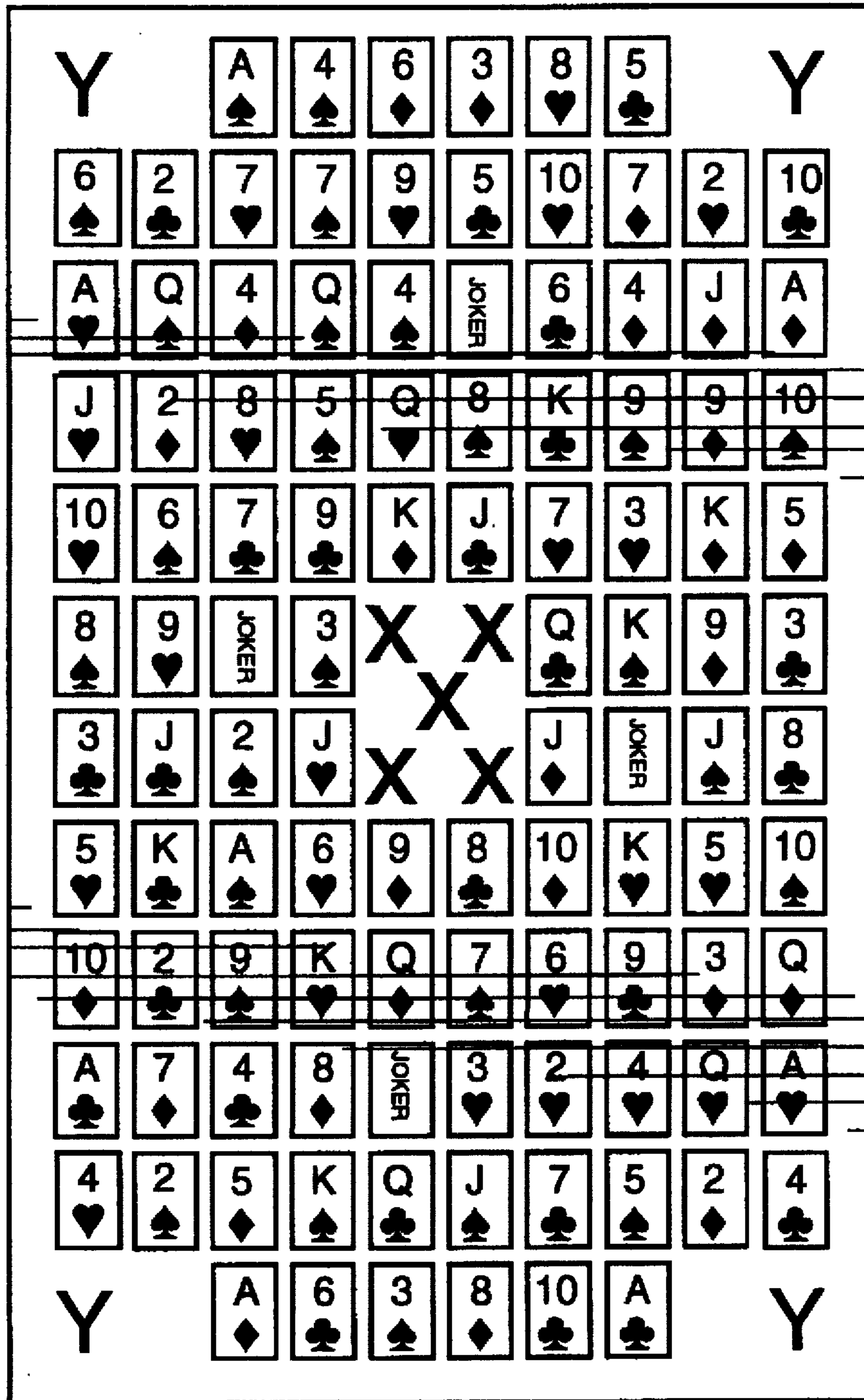


FIG. 6