

US00D385305S

United States Patent [19] Lodge

[11] Patent Number: **Des. 385,305**

[45] Date of Patent: ****Oct. 21, 1997**

[54] **HANGER ASSEMBLY**

4,262,808 4/1981 LaPorte 312/184 X
4,262,810 4/1981 Ilich 211/206

[75] Inventor: **Reginald A. Lodge, Wheaton, Ill.**

Primary Examiner—Martie Thompson

[73] Assignee: **Richards-Wilcox, Inc., Aurora, Ill.**

Attorney, Agent, or Firm—Pearne, Gordon, McCoy & Granger LLP

[**] Term: **14 Years**

[57] **CLAIM**

[21] Appl. No.: **36,094**

The ornamental design for a hanger assembly, as shown and described.

[22] Filed: **Mar. 13, 1995**

DESCRIPTION

[51] **LOC (6) Cl.** **19-02**

[52] **U.S. Cl.** **D19/90; D6/462; D19/91**

[58] **Field of Search** **D6/410, 449, 462; D19/65, 75, 86, 90, 91, 99, 100; 211/46, 206, 204; 312/184; 402/47**

FIG. 1 is an isometric view of a hanger assembly broken away for the purpose of illustrating indeterminate length, according to my new design;

FIG. 2 shows an end elevation of a hanger assembly, the opposite end view being identical;

FIG. 3 shows a front elevation of a hanger assembly, the rear view being identical;

FIG. 4 shows a top view of a hanger assembly broken away for the purpose of illustrating indeterminate length; and,

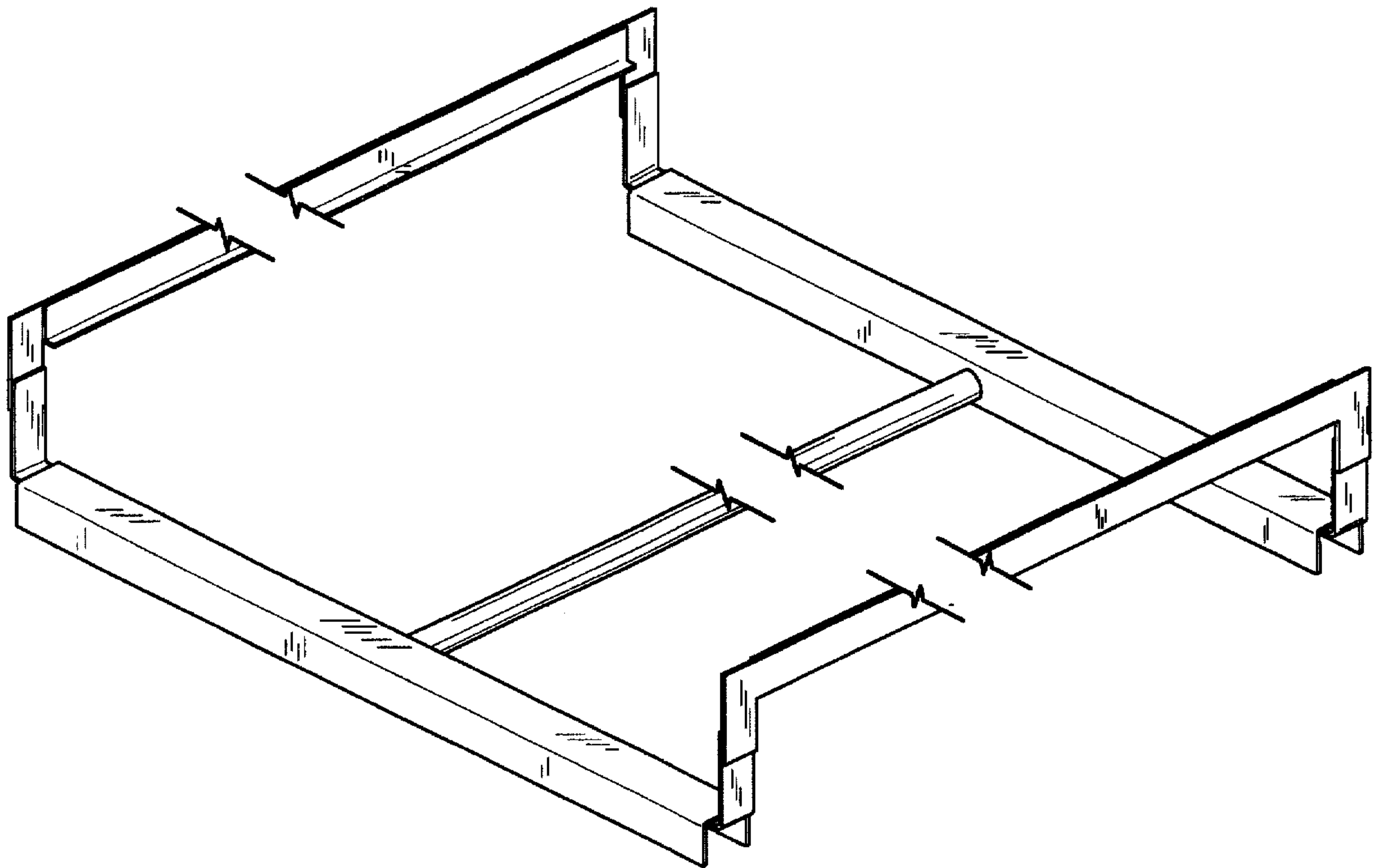
FIG. 5 shows a bottom view of a hanger assembly broken away for the purpose of illustrating indeterminate length.

[56] **References Cited**

U.S. PATENT DOCUMENTS

D. 289,115	4/1987	Spicer	D19/90 X
2,623,526	12/1952	Page	211/46
2,704,545	3/1955	Page	211/46
4,091,933	5/1978	Alexander	211/46 X

1 Claim, 3 Drawing Sheets



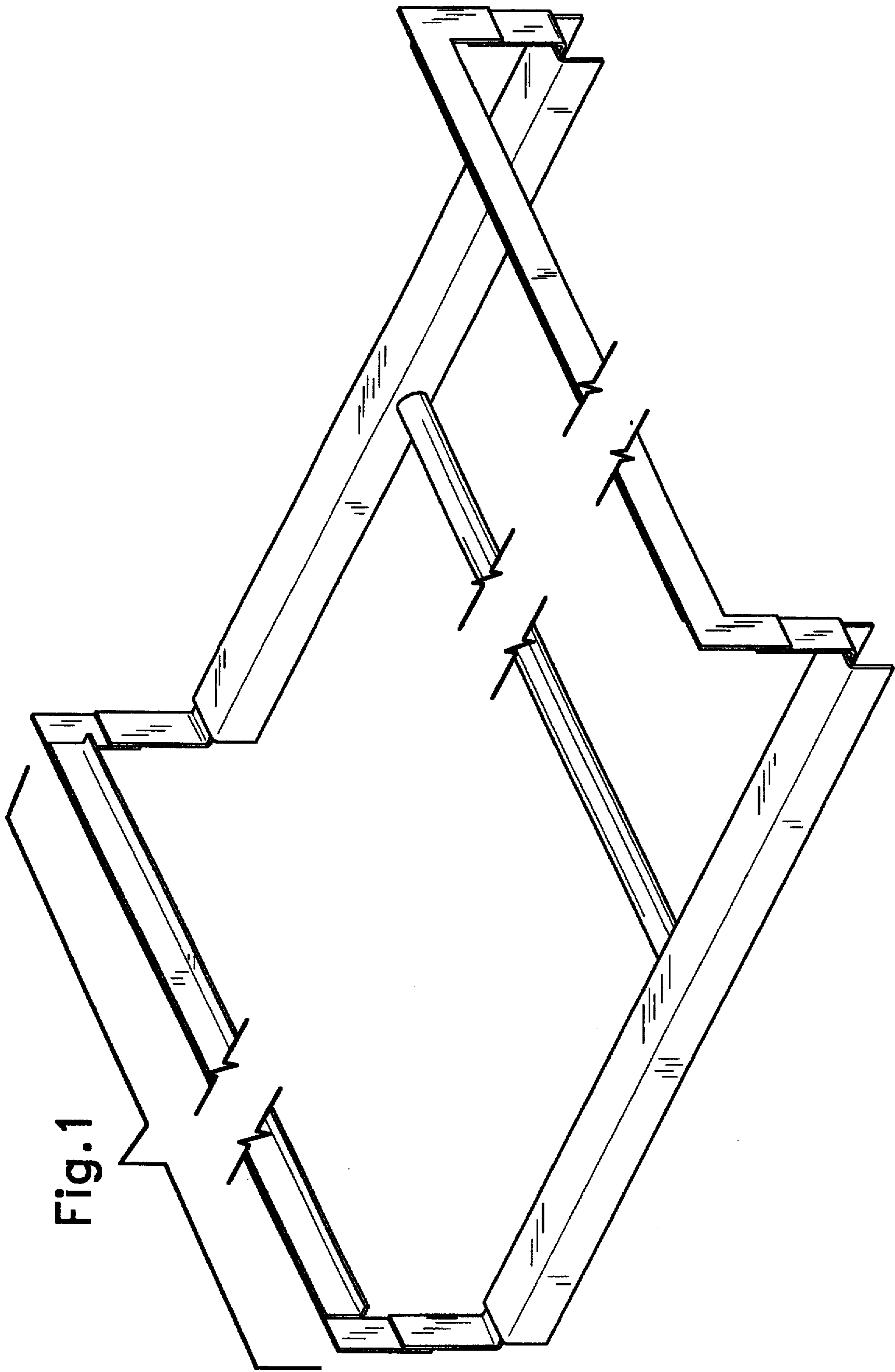


Fig. 1

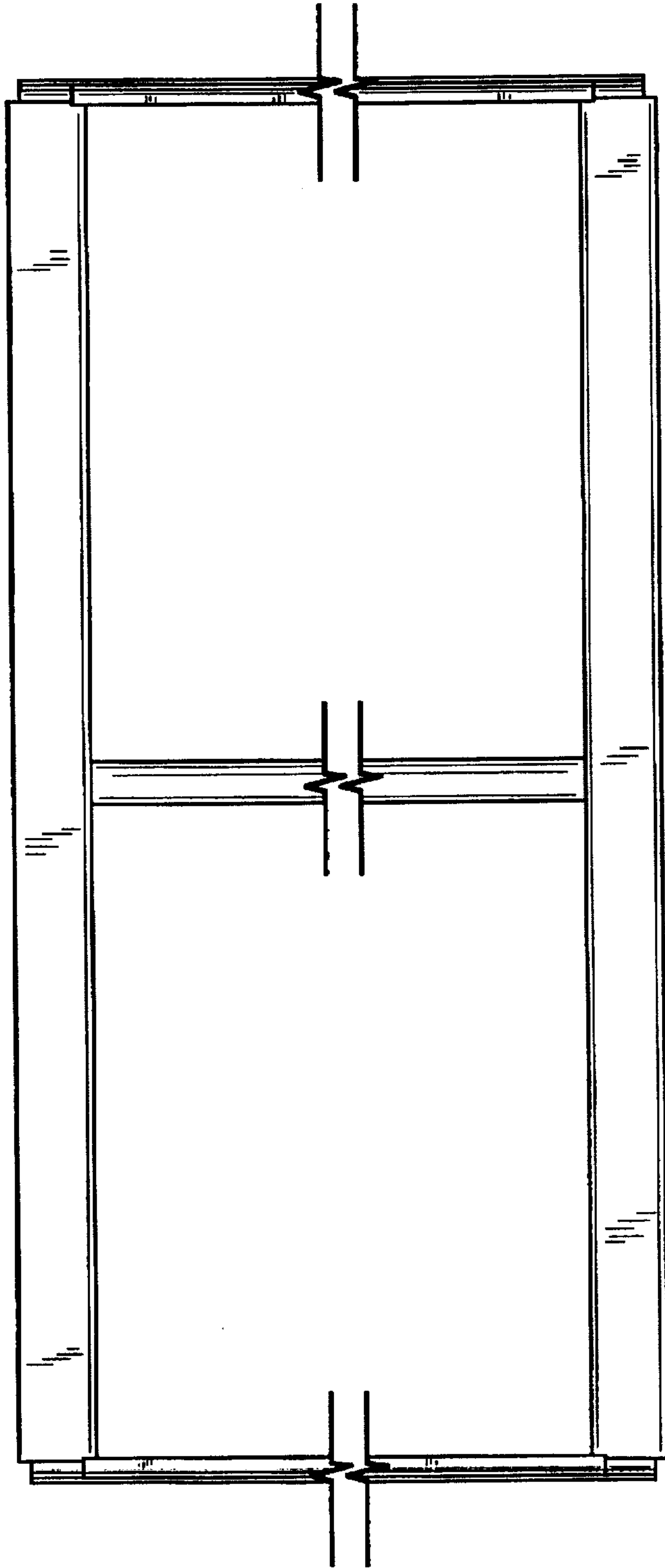


Fig.4

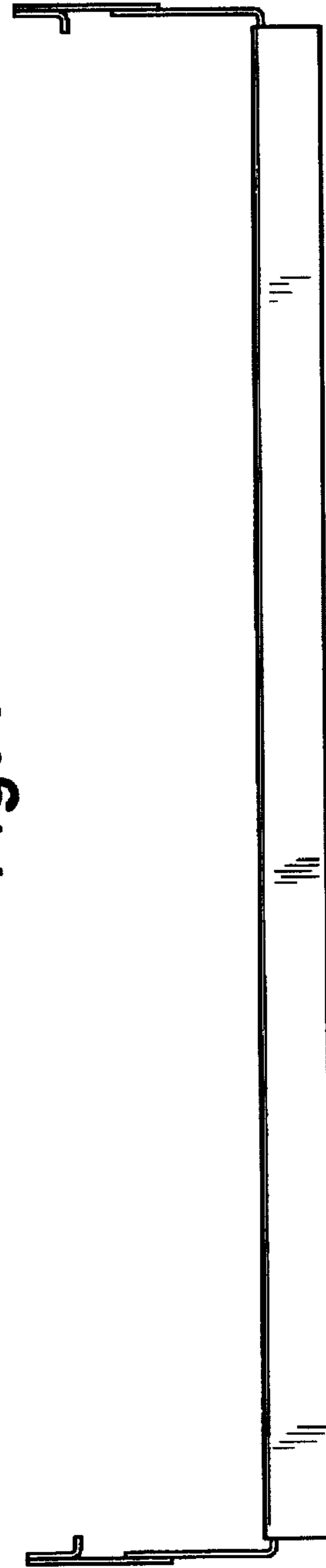


Fig.2

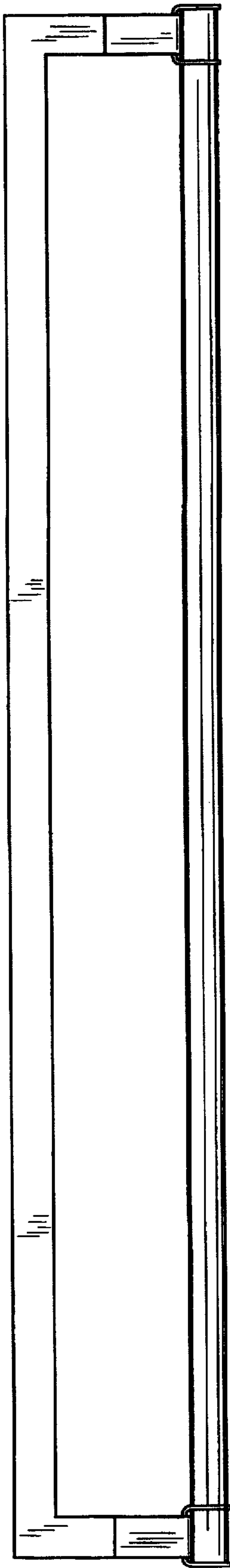


Fig. 3

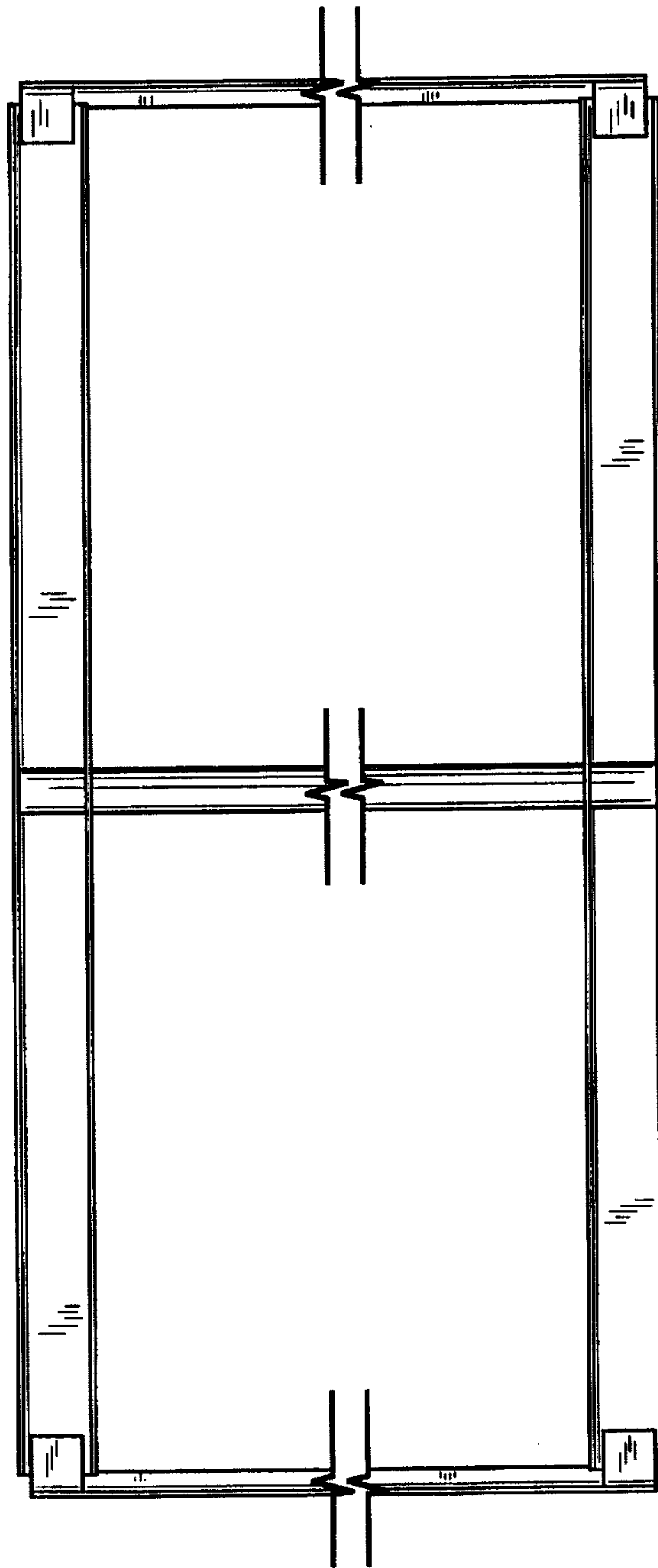


Fig. 5