

US00D385304S

United States Patent [19] Griffin

[11] Patent Number: **Des. 385,304**

[45] Date of Patent: ****Oct. 21, 1997**

[54] **INVOICE FILE CLIP**

5,285,952 2/1994 Ho 281/45 X
5,388,314 2/1995 Vella 24/555

[76] Inventor: **Peter B. Griffin**, 5805 N. Belton,
Kansas City, Mo. 64151

FOREIGN PATENT DOCUMENTS

[**] Term: **14 Years**

157520 1/1921 United Kingdom 24/67.9

[21] Appl. No.: **59,781**

Primary Examiner—Martie Thompson
Attorney, Agent, or Firm—Richard P. Stitt

[22] Filed: **Sep. 16, 1996**

[57] CLAIM

[51] LOC (6) CL **19-02**

The ornamental design for an invoice file clip, as shown and described.

[52] U.S. Cl. **D19/65; D19/86; D19/90**

DESCRIPTION

[58] Field of Search D25/119, 112,
D25/122; D8/395; D19/65, 75, 86, 90,
91, 99, 100; 24/67 R, 67.1-67.9, 555; 281/45,
48, 51, 21.1, 23, 28

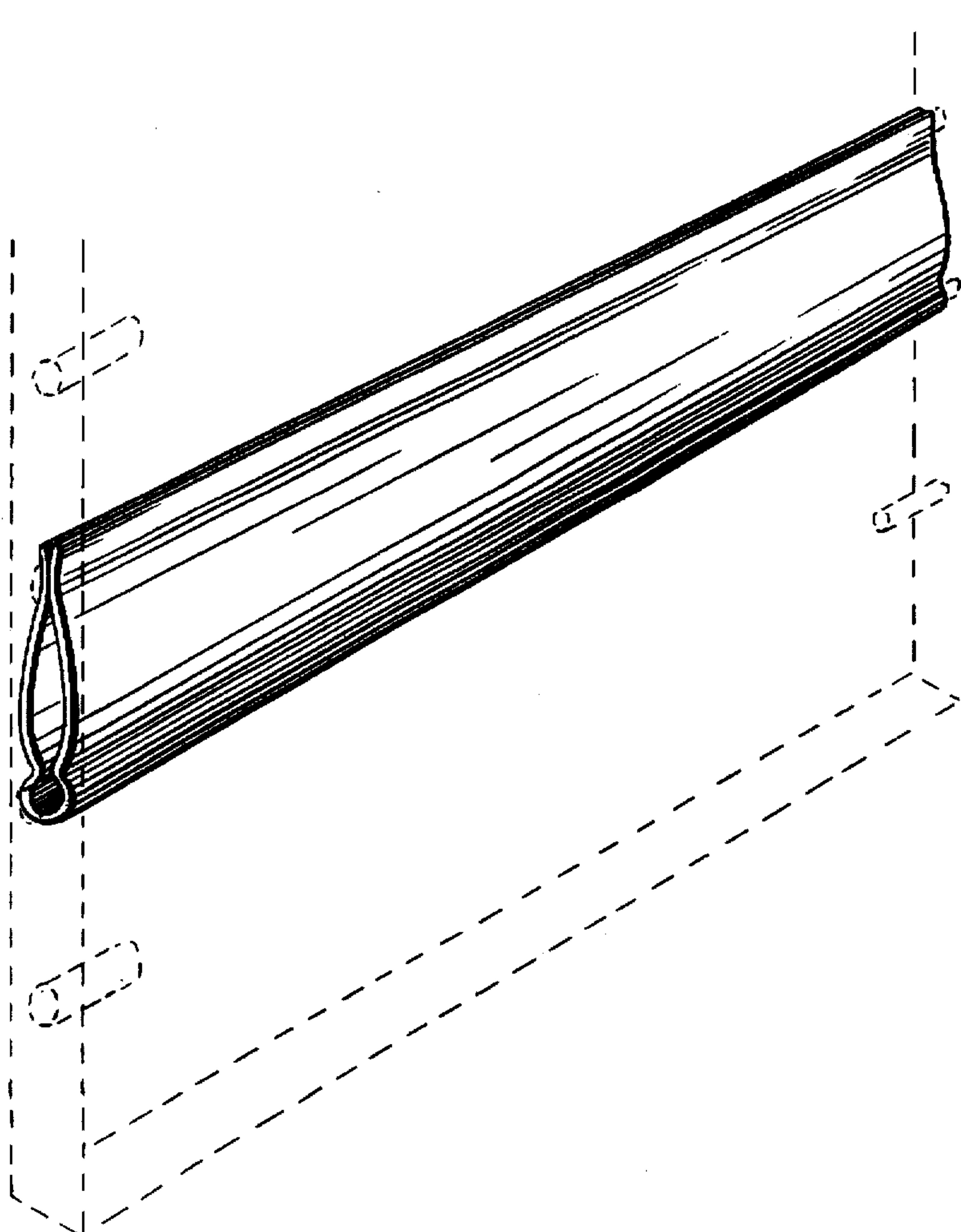
FIG. 1 is a left front perspective view of an invoice file clip showing my new design, the structure depicted by means of broken lines being for environmental purposes only and forming no part of the claimed design;
FIG. 2 is a right side elevational view thereof;
FIG. 3 is a left side elevational view thereof;
FIG. 4 is a front elevational view thereof;
FIG. 5 is a rear elevational view thereof;
FIG. 6 is a top plan view thereof; and,
FIG. 7 is a bottom plan view thereof.

[56] References Cited

U.S. PATENT DOCUMENTS

D. 248,483	7/1978	Elias et al.	D19/91
273,301	3/1883	Page et al.	24/67.9
305,665	9/1884	Castles	24/67.9 X
487,959	12/1892	McDonald	24/67.9 X
1,428,900	9/1922	Oppenheimer	24/67.9

1 Claim, 2 Drawing Sheets



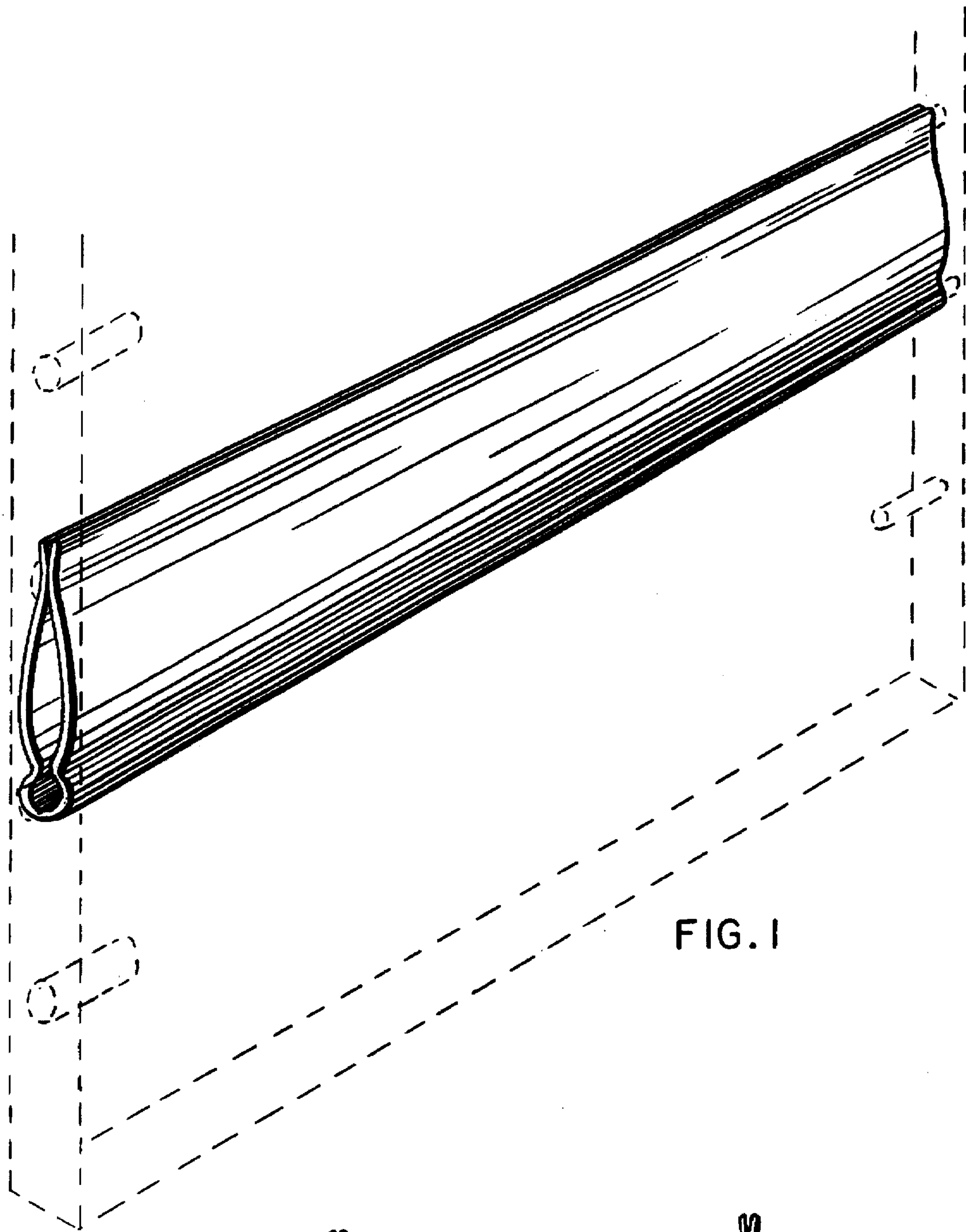


FIG. 1

FIG. 2



FIG. 3



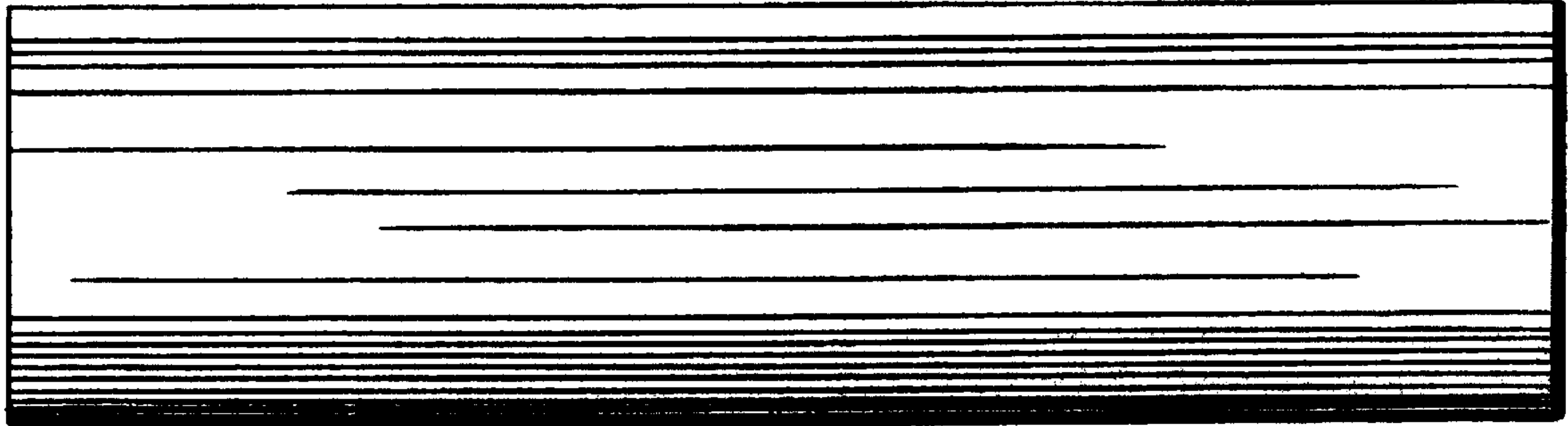


FIG. 4

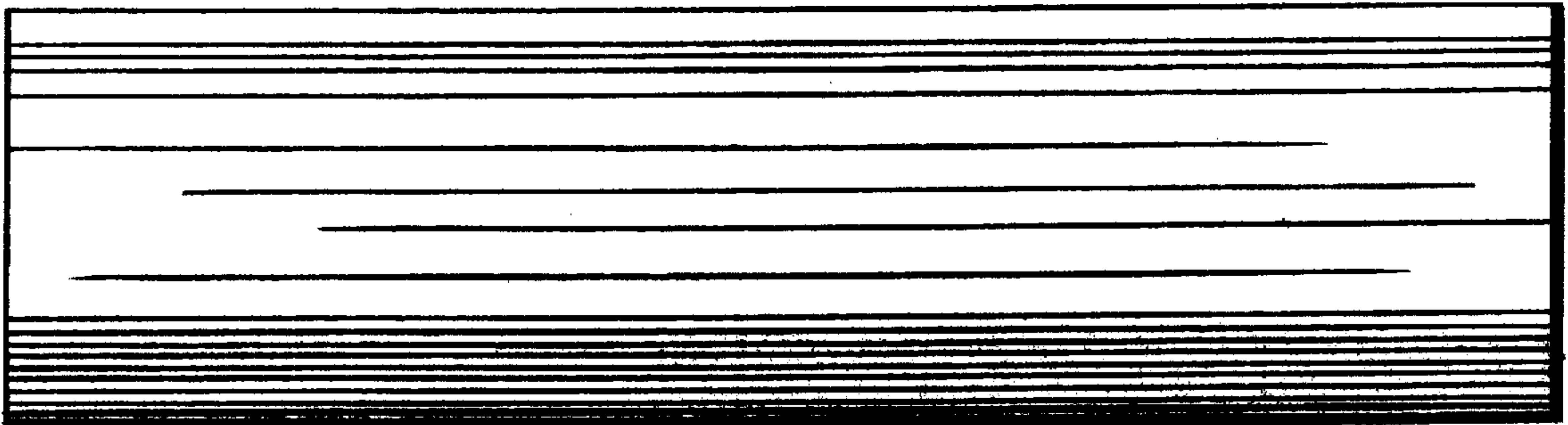


FIG. 5

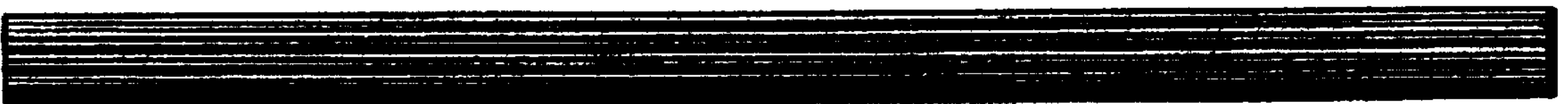


FIG. 6

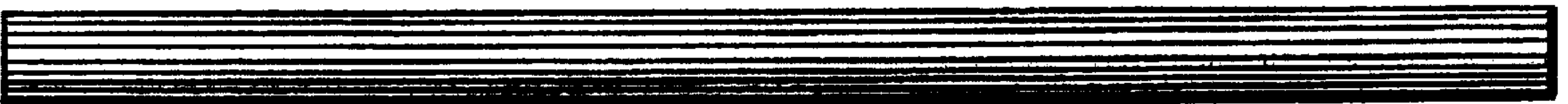


FIG. 7