



US00D385299S

**United States Patent** [19]  
**Adams**

[11] **Patent Number: Des. 385,299**  
[45] **Date of Patent: \*\*Oct. 21, 1997**

[54] **ELECTRONIC BOOK**

[76] **Inventor: Milton N. Adams, 779 Concourse Village, #14E, Bronx, N.Y. 10456**

[\*\*] **Term: 14 Years**

[21] **Appl. No.: 23,303**

[22] **Filed: May 23, 1994**

[51] **LOC (6) Cl. .... 19-04**

[52] **U.S. Cl. .... D19/26**

[58] **Field of Search .... D19/26, 27, 32; 281/15.1, 29, 30; 283/63.1; 434/339, 317; D14/100**

[56] **References Cited**

**U.S. PATENT DOCUMENTS**

D. 256,475	8/1980	McDanles	.....	D19/26
D. 320,411	10/1991	Wyant	.....	D19/27
631,644	8/1899	Klein	.....	281/30
632,957	9/1899	Billow	.....	281/30
797,548	8/1905	Bates	.....	281/30
2,200,146	5/1940	Block	.....	281/30
2,229,854	1/1941	Krevis	.....	281/30
4,932,520	6/1990	Ciarcia et al.	.....	281/30 X

*Primary Examiner*—Susan J. Lucas  
*Assistant Examiner*—Pamela Burgess  
*Attorney, Agent, or Firm*—Lieberman & Nowak, LLP

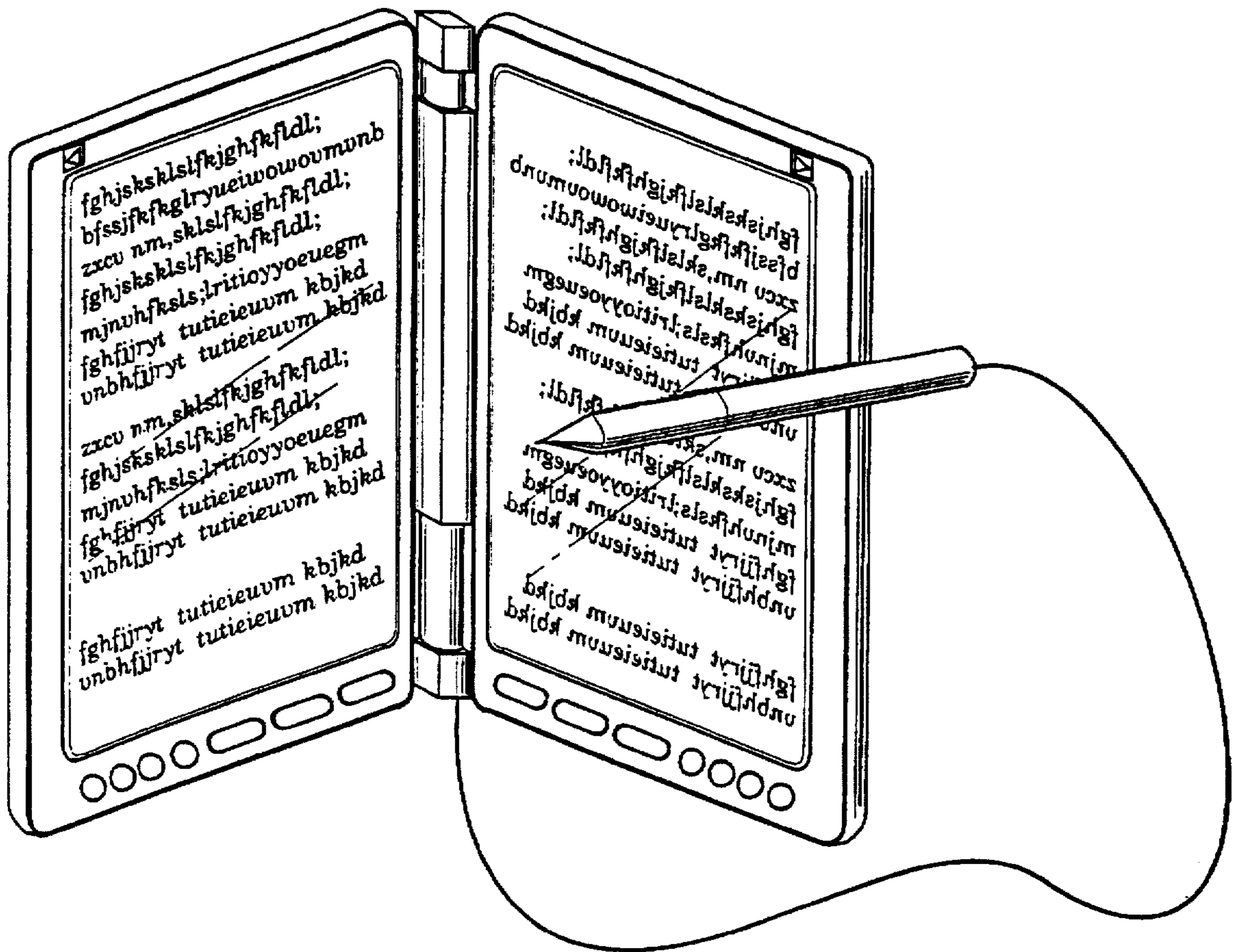
[57] **CLAIM**

The ornamental design for an electronic book, as shown and described.

**DESCRIPTION**

FIG. 1 is a front perspective view of an electronic book showing my new design in an opened position;  
FIG. 2 is a front perspective view thereof, in an opened position and shown with the stylus removed for clarity of illustration only;  
FIG. 3 is a front perspective view thereof, in a closed position;  
FIG. 4 is a front elevational view thereof;  
FIG. 5 is a rear elevational view thereof;  
FIG. 6 is a left side elevational view thereof;  
FIG. 7 is a right side elevational view thereof;  
FIG. 8 is a rear perspective view thereof;  
FIG. 9 is a front perspective view thereof of a second embodiment of FIG. 1 in an opened position; and,  
FIG. 10 is a rear perspective view thereof.

**1 Claim, 6 Drawing Sheets**



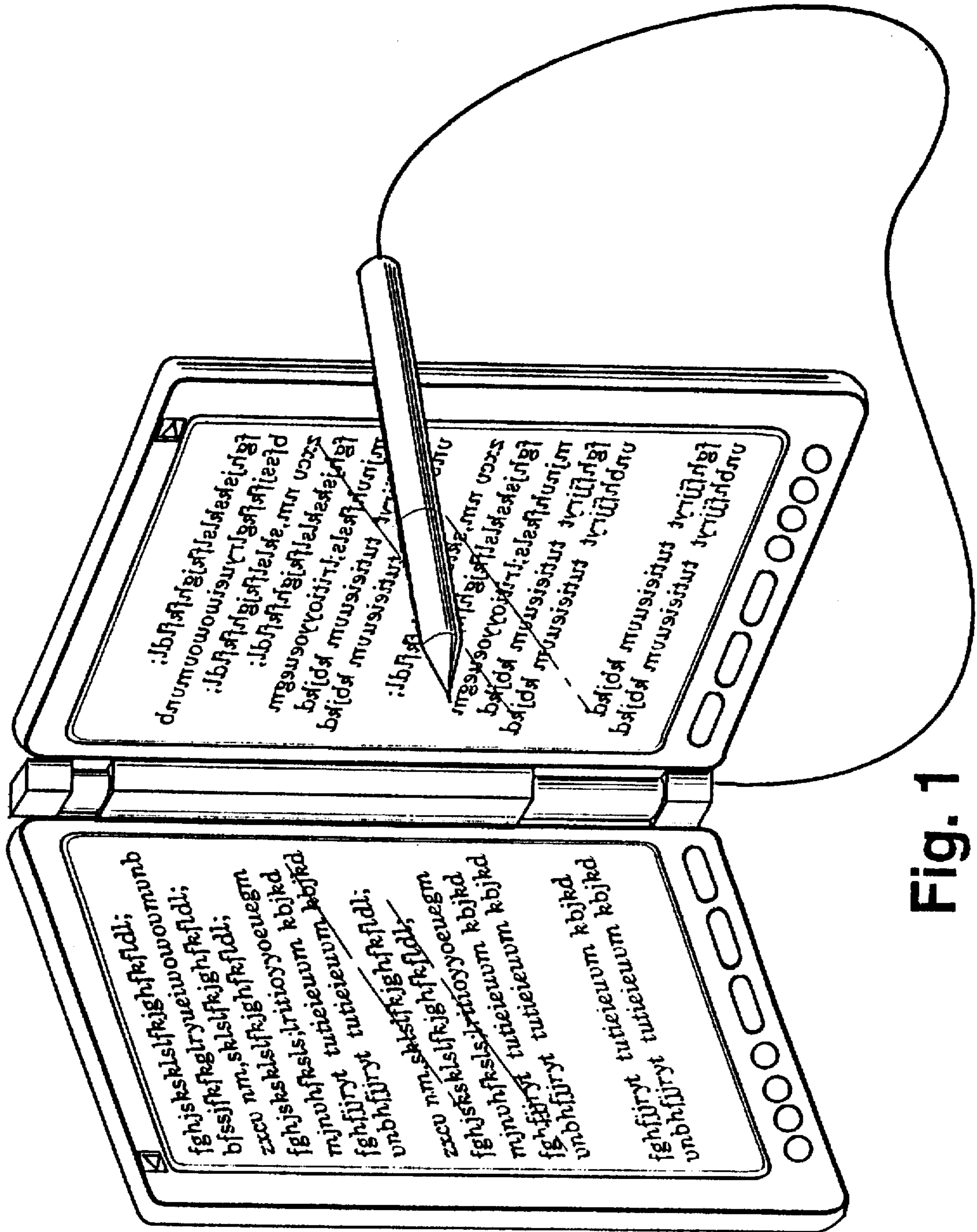


Fig. 1

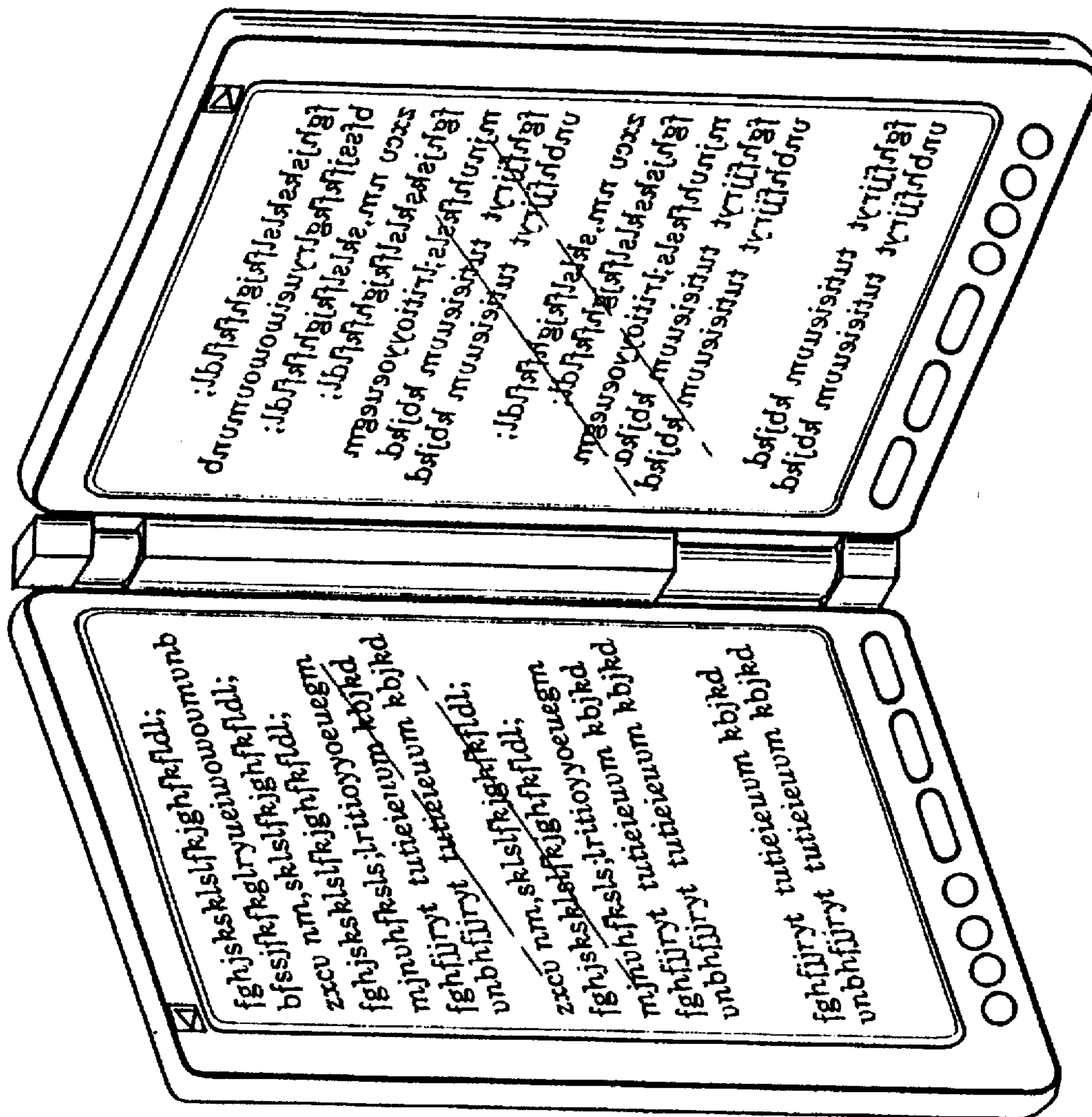


Fig. 2

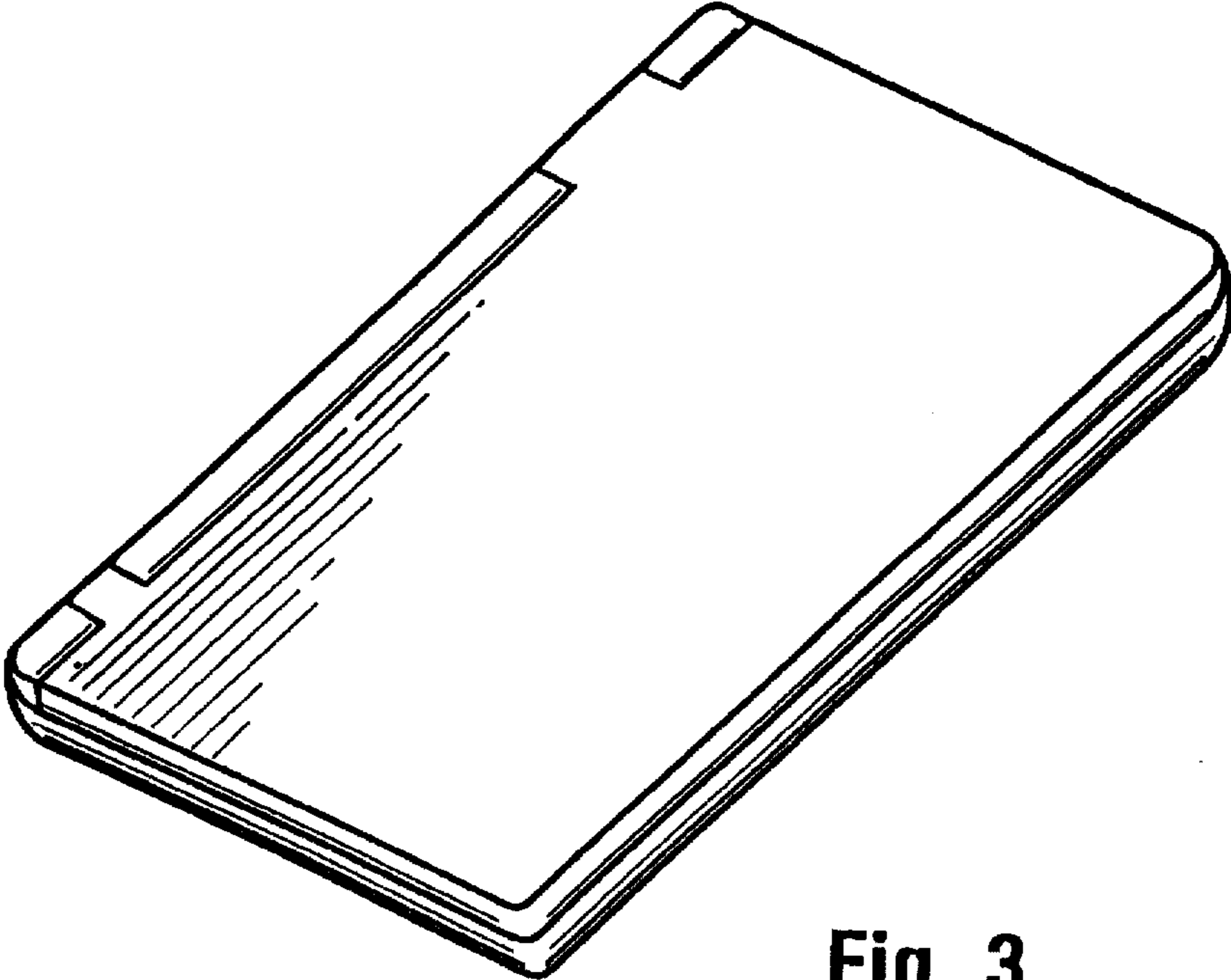


Fig. 3

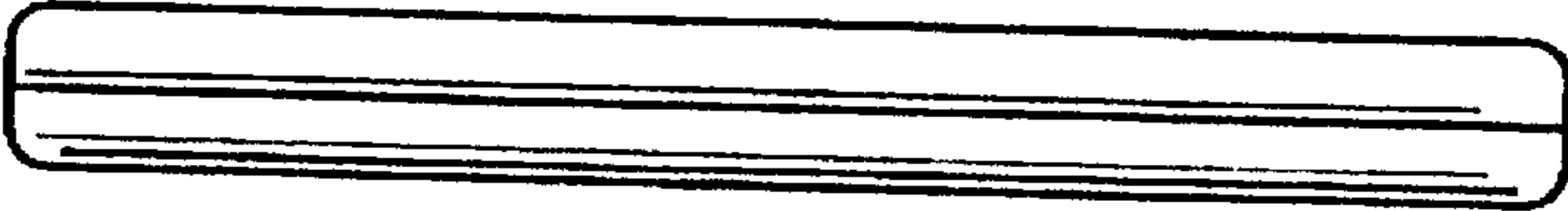


Fig. 4

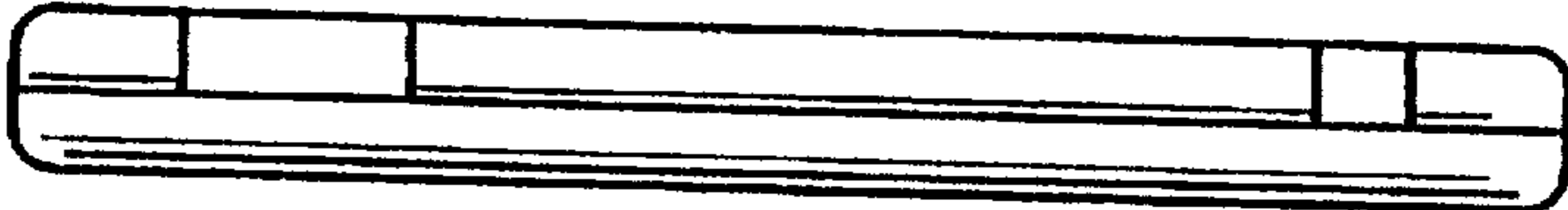


Fig. 5

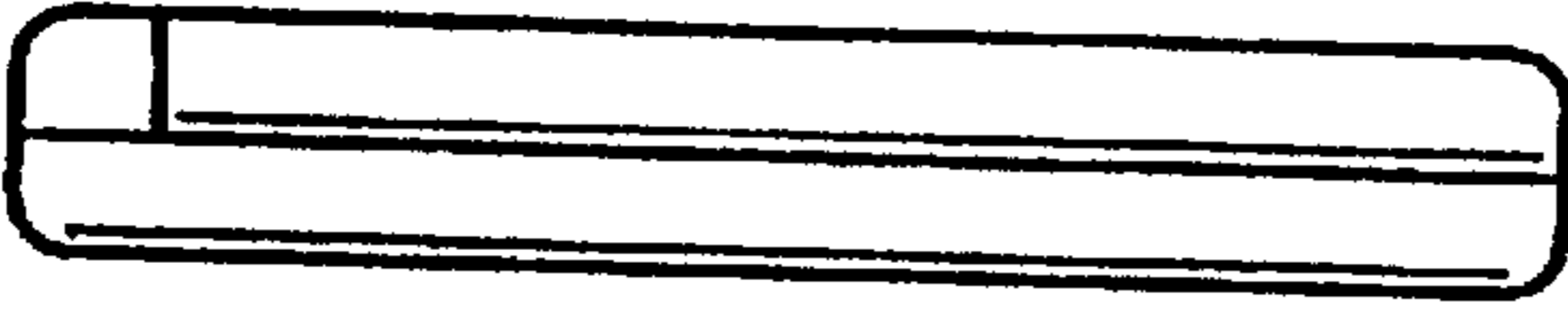


Fig. 6

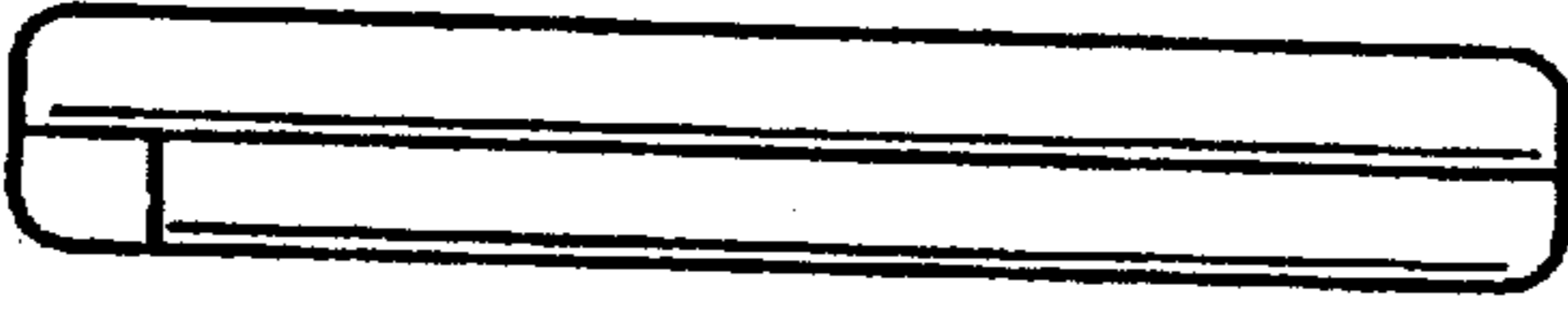


Fig. 7

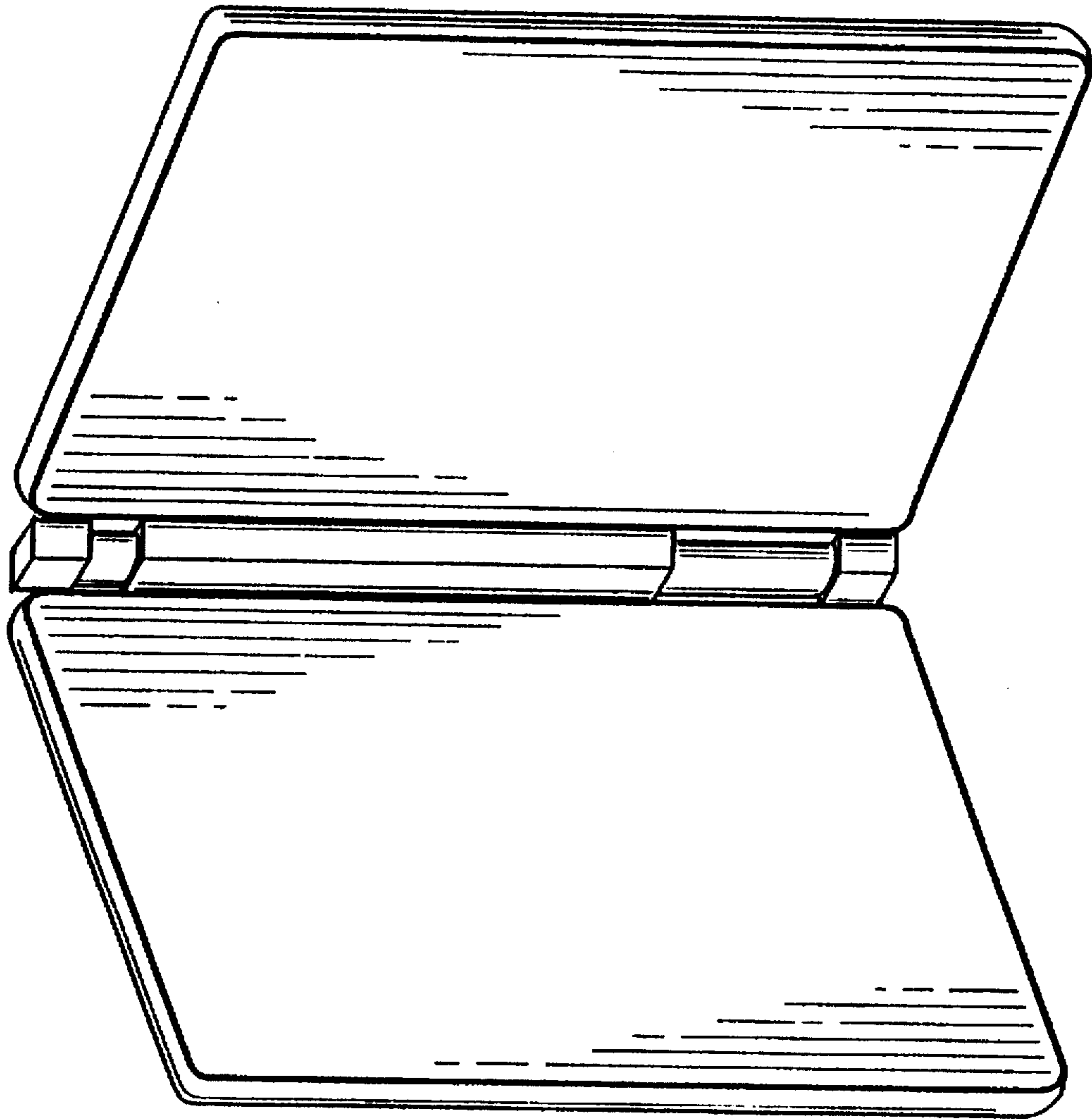


Fig. 8

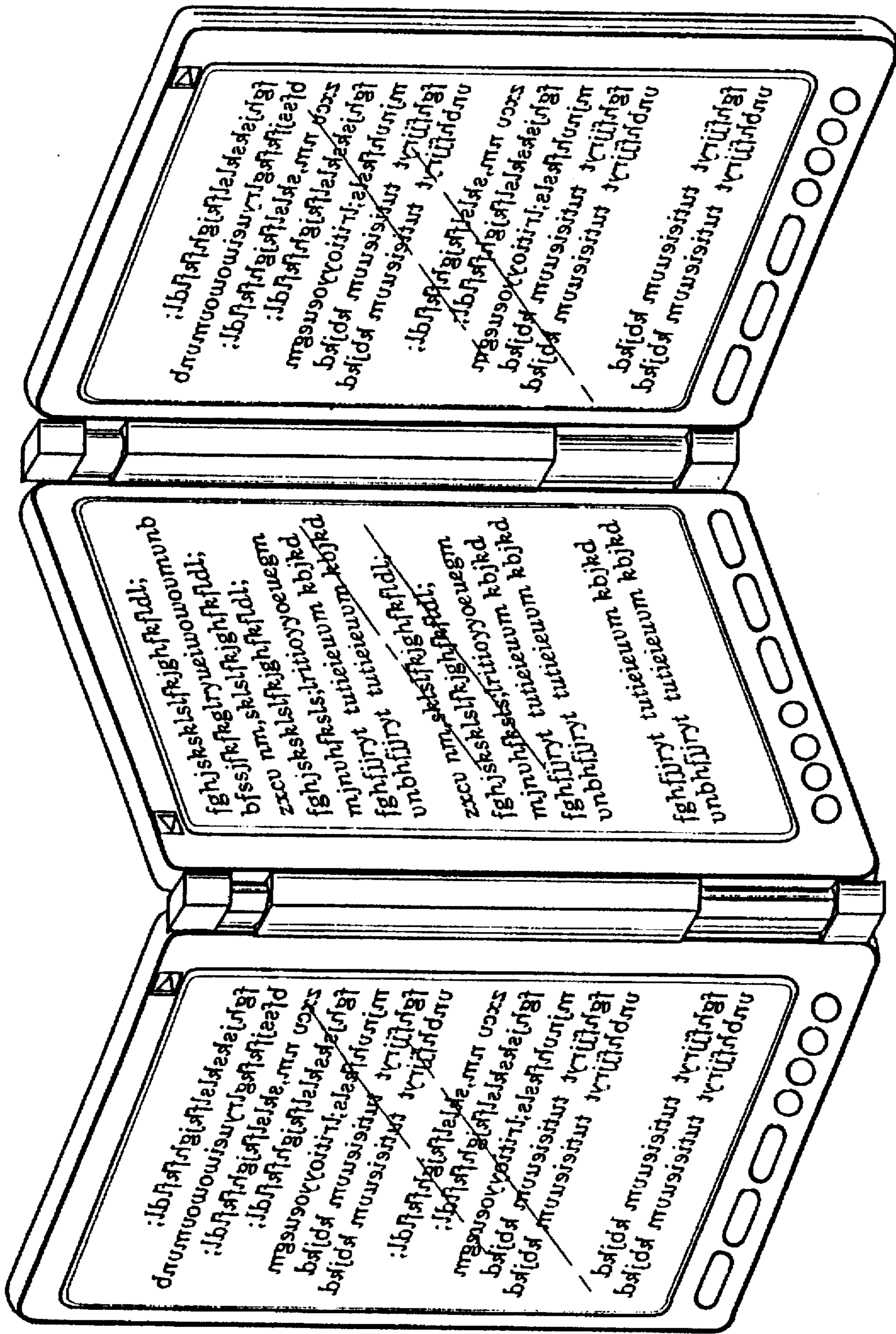


Fig. 9

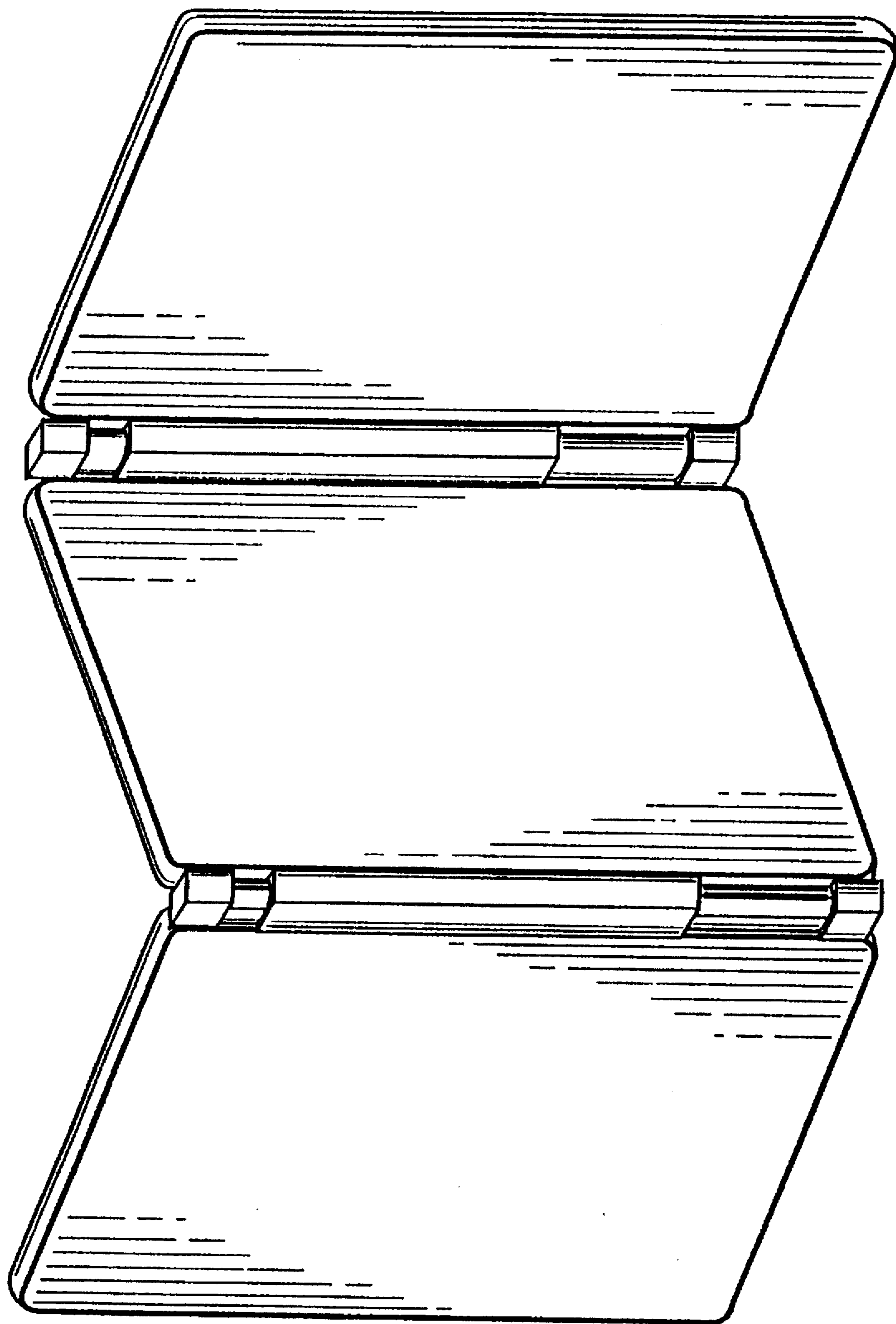


Fig. 10