



US00D385287S

**United States Patent** [19]  
**Westcott**

[11] **Patent Number:** **Des. 385,287**  
[45] **Date of Patent:** **\*\*Oct. 21, 1997**

[54] **BAKING SODA HOLDER FOR USE IN A REFRIGERATOR**

3,606,949 9/1971 Joyce ..... 211/126  
4,123,130 10/1978 Locke ..... 312/236

[75] **Inventor:** Michael Westcott, Cohasset, Mass.

**OTHER PUBLICATIONS**

[73] **Assignee:** EMplast, Inc., Shakopee, Minn.

Sweets General Building Restoration 1994 Catalog File, vol. 13 GE p. 14. Profile TBX19PAS shelf, bottom.

[\*\*] **Term:** 14 Years

*Primary Examiner*—Sandra L. Morris  
*Attorney, Agent, or Firm*—Haugen & Nikolai, P.A.

[21] **Appl. No.:** 54,212

[57] **CLAIM**

[22] **Filed:** May 10, 1996

The ornamental design for the "baking soda holder for use in a refrigerator", as shown and described.

[51] **LOC (6) Cl.** ..... 15-07

[52] **U.S. Cl.** ..... D15/89; D6/525; D6/567

[58] **Field of Search** ..... D6/525, 533, 536, D6/540, 553, 567, 573, 574; D15/79, 81, 89; 211/49.1, 74, 75, 126, 153; 312/116, 117, 236, 401, 404, 406, 407, 407.1, 408

**DESCRIPTION**

FIG. 1 is a perspective view of a baking soda holder for use in a refrigerator, showing my new design;  
FIG. 2 is a side elevational view thereof, the opposite side being a mirror image;  
FIG. 3 is a front elevational view thereof;  
FIG. 4 is a back elevational view of the baking soda holder;  
FIG. 5 is a top plan view of the baking soda holder; and  
FIG. 6 is a bottom plan view of the baking soda holder.

[56] **References Cited**

**U.S. PATENT DOCUMENTS**

D. 141,423 5/1945 Lewis ..... D6/573  
D. 310,928 10/1990 Murphy ..... D6/574  
D. 351,845 10/1994 Johnson et al. .... D15/89  
D. 357,837 5/1995 Kea ..... D6/540

**1 Claim, 2 Drawing Sheets**

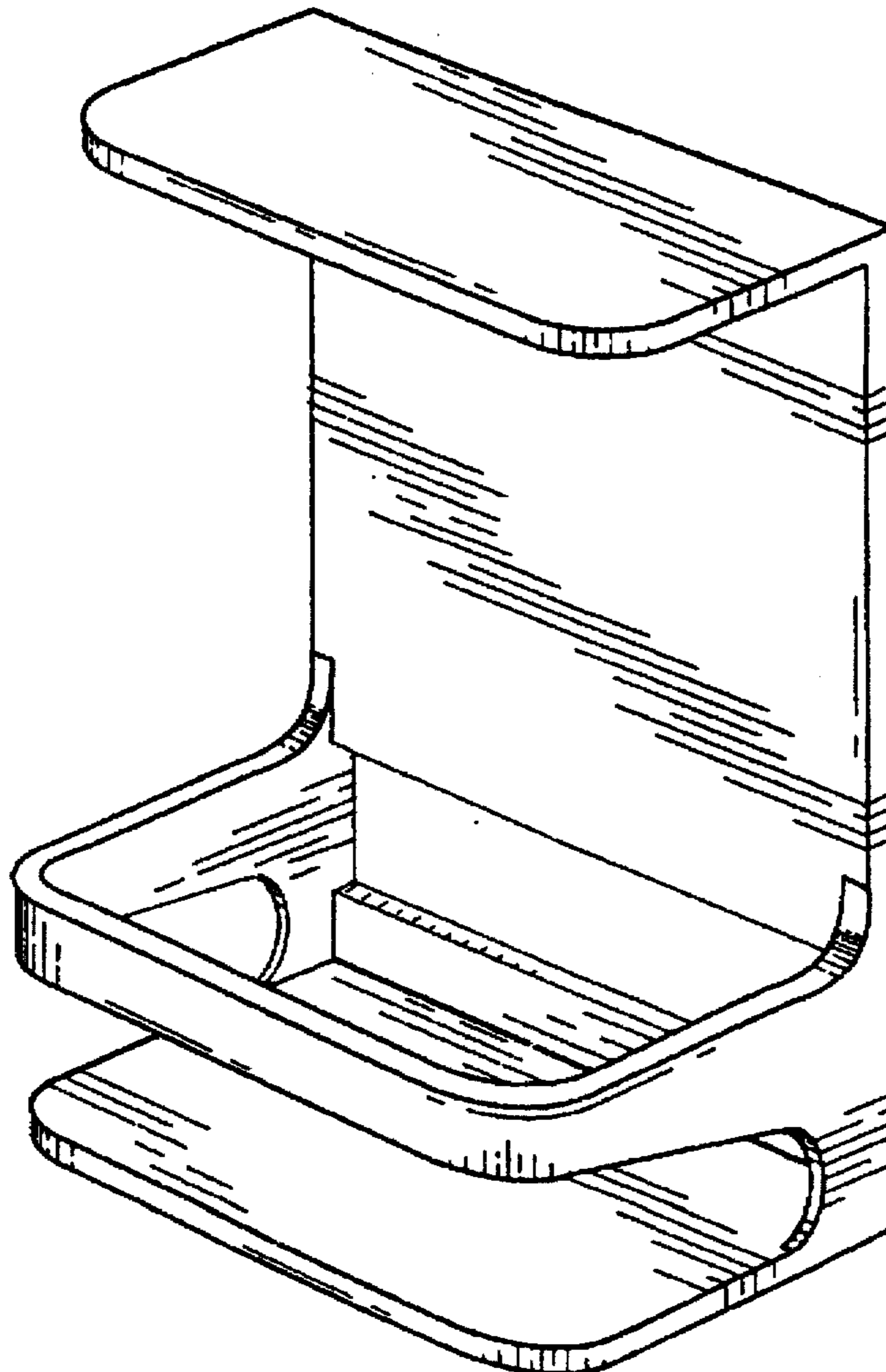


Fig. 2

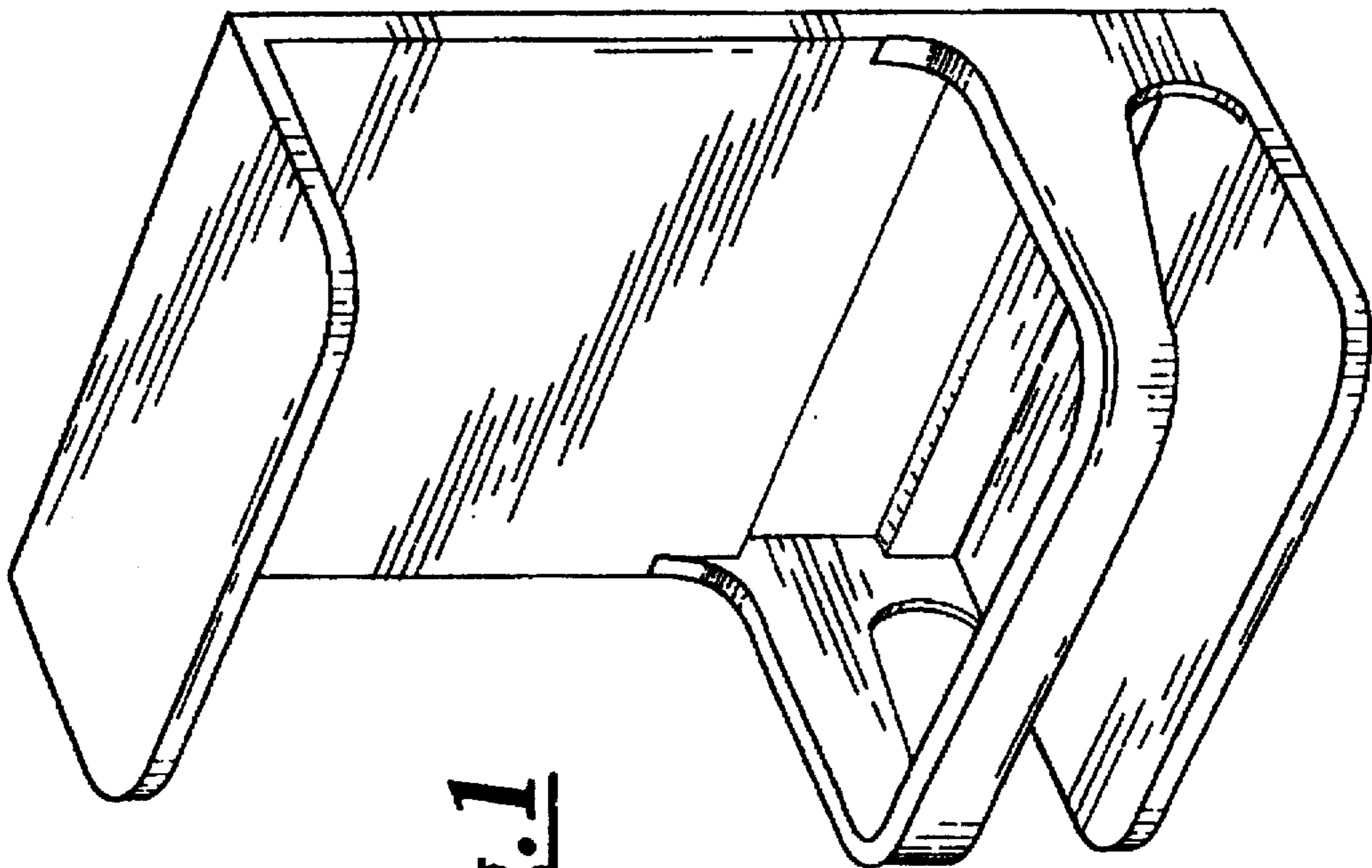
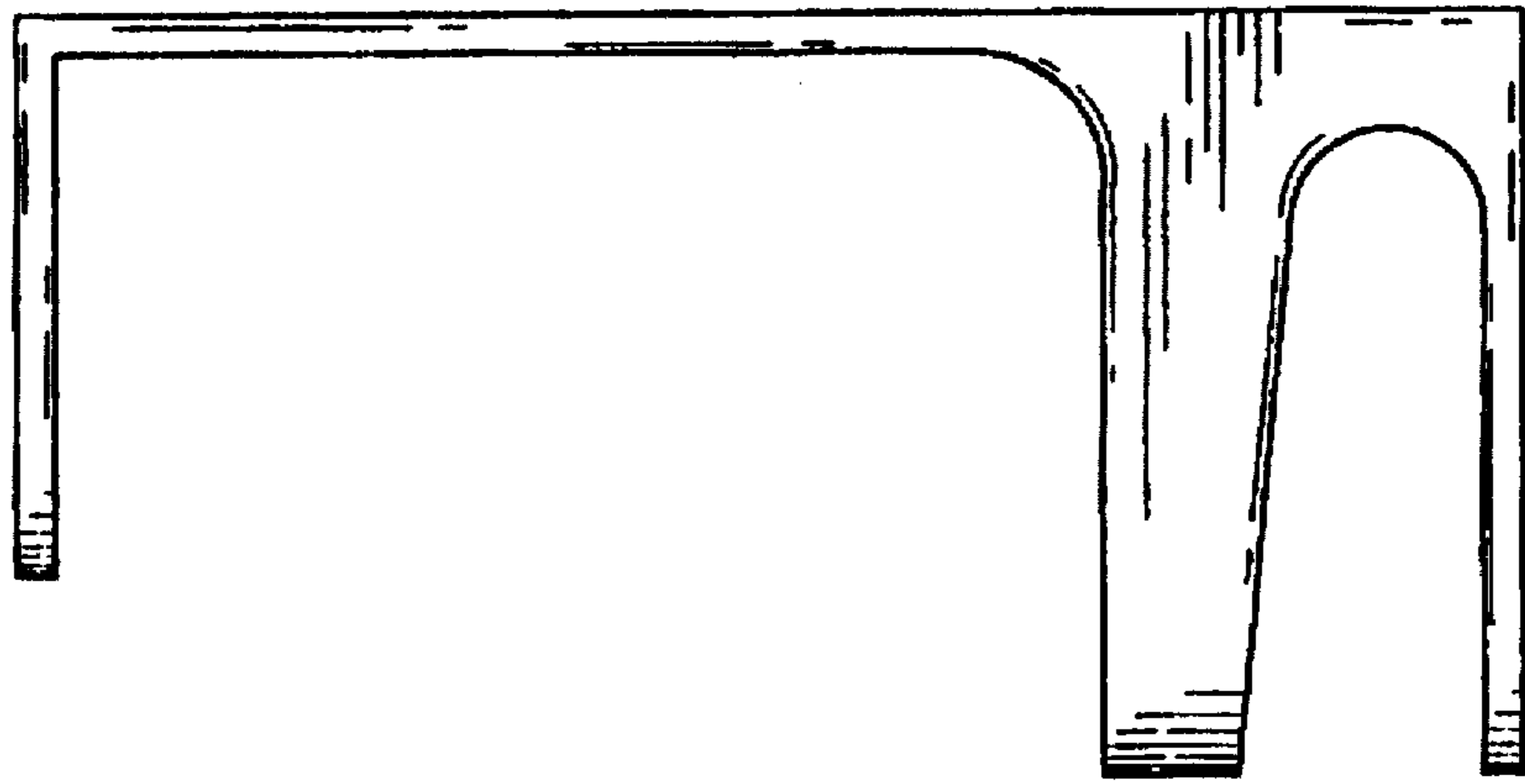


Fig. 1

Fig.5

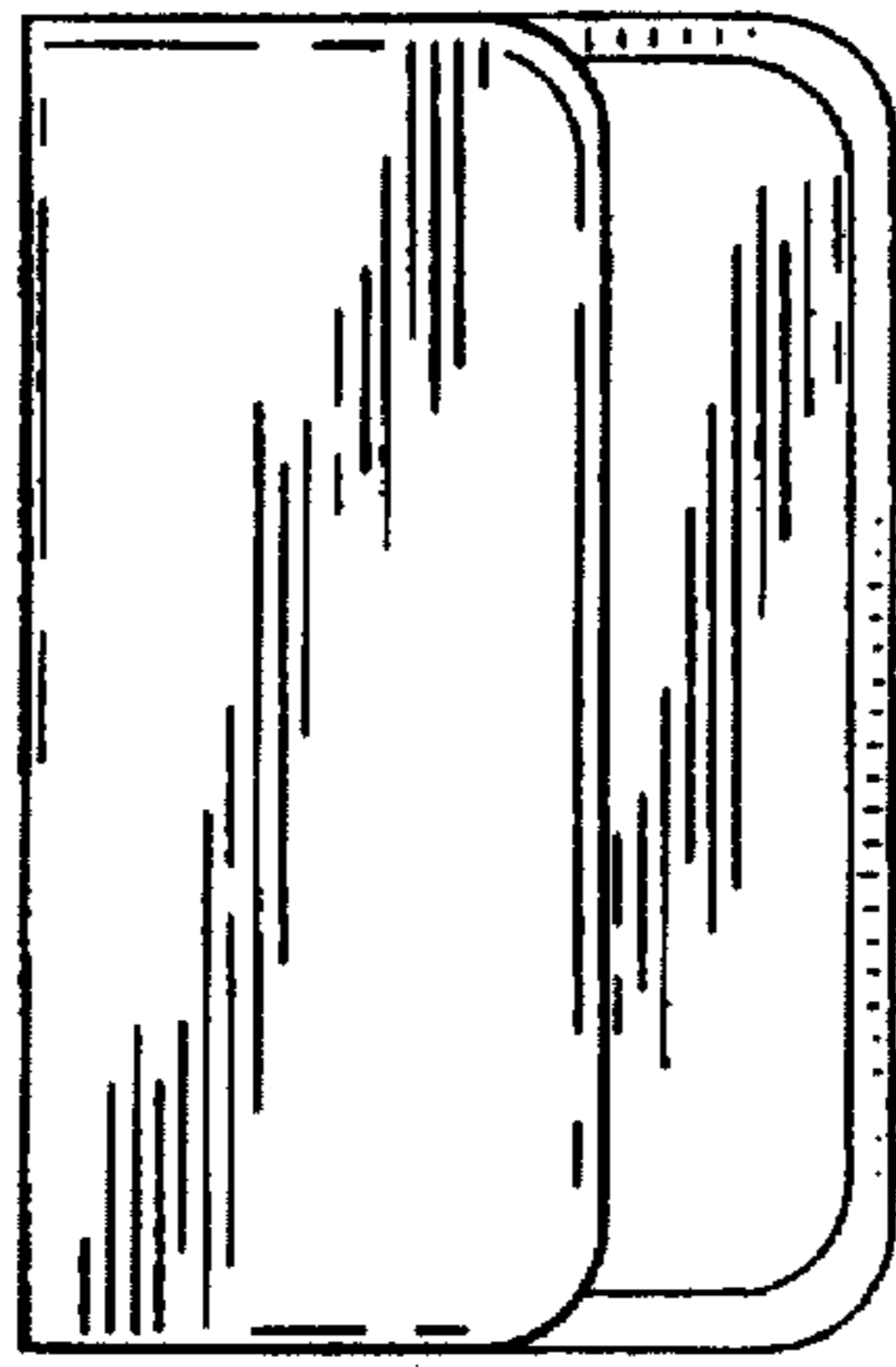


Fig.6

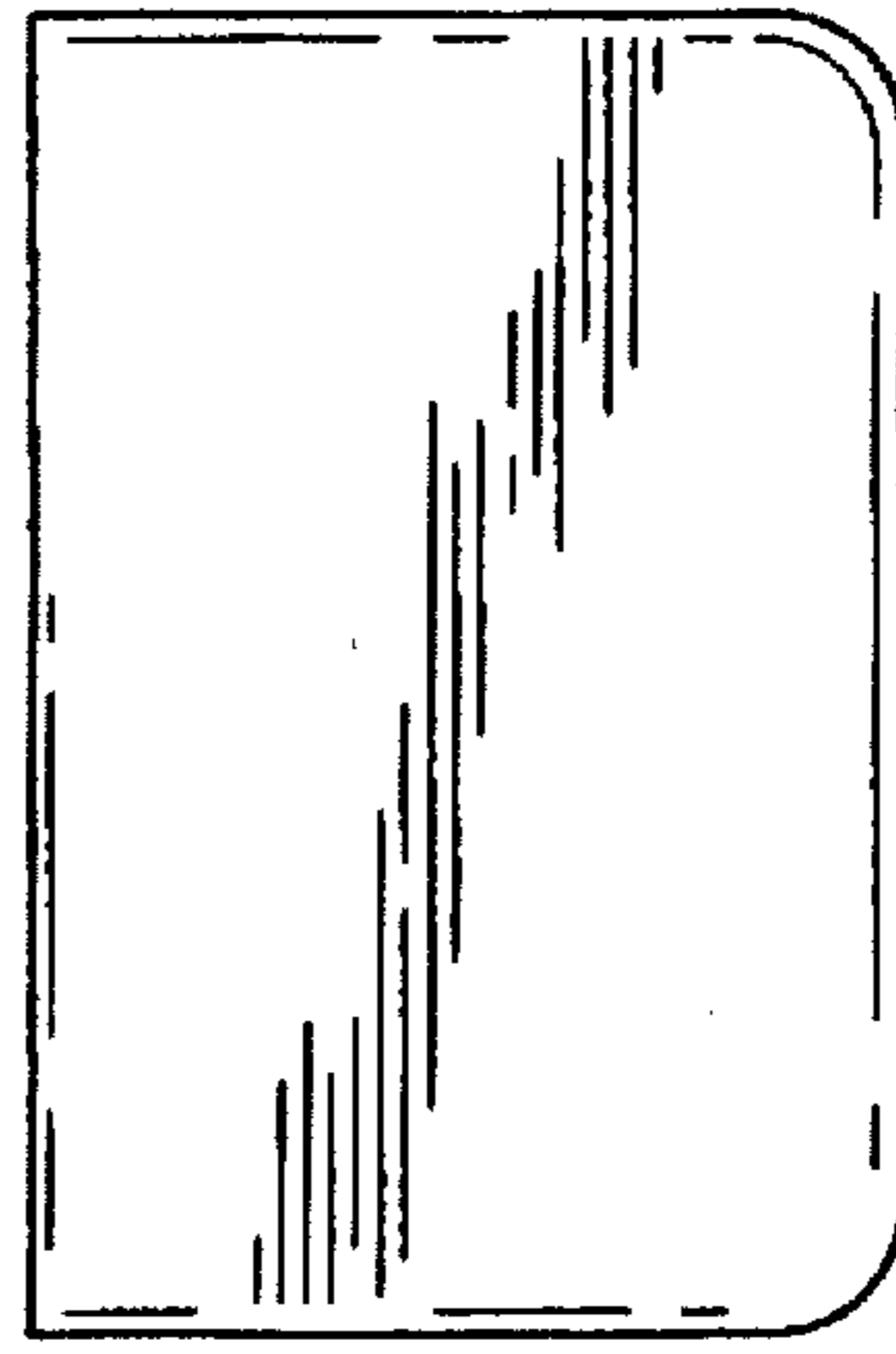


Fig.4

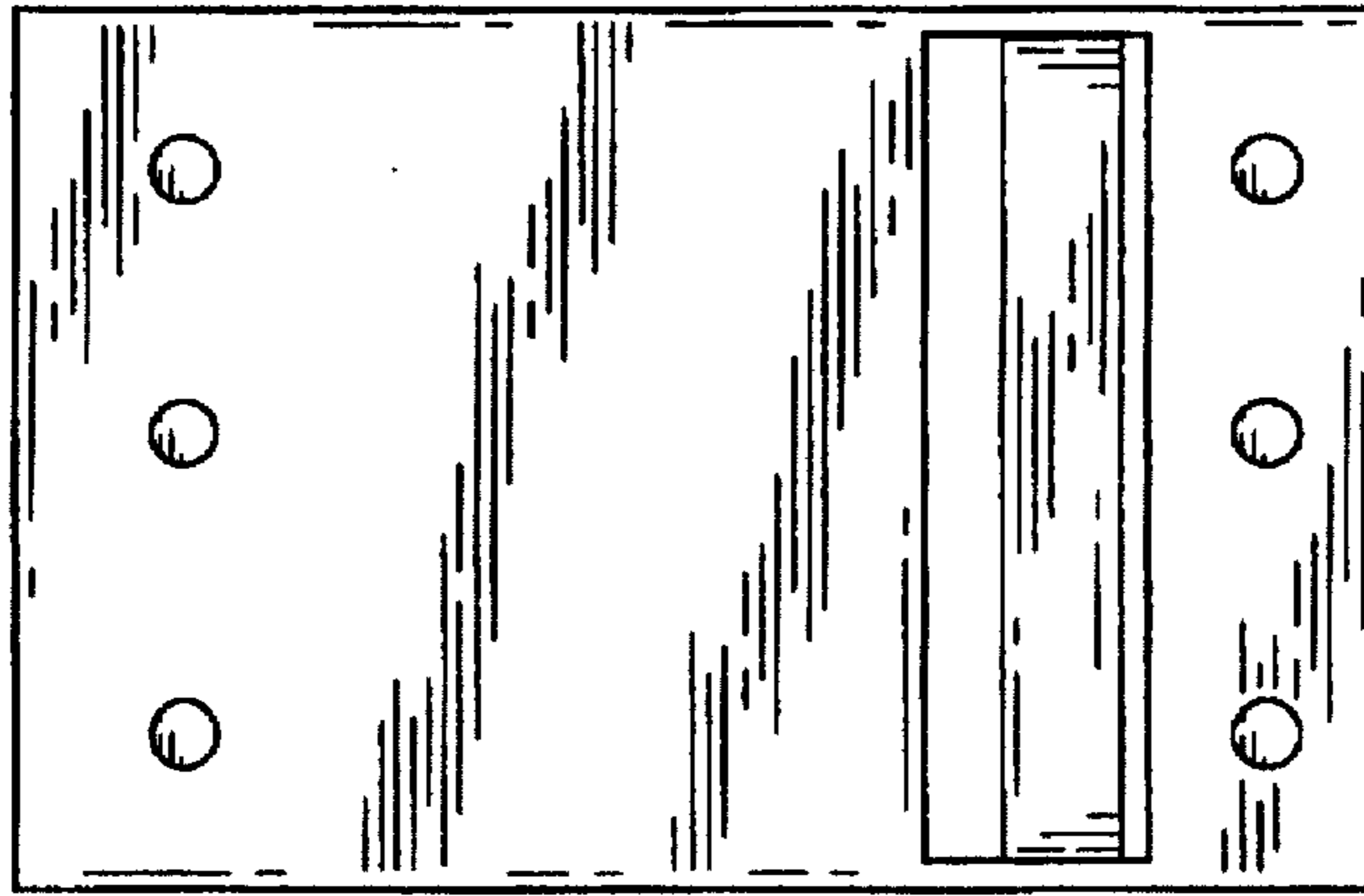


Fig.3

