



US00D385285S

**United States Patent** [19]  
**Brown**

[11] **Patent Number: Des. 385,285**  
[45] **Date of Patent: \*\*Oct. 21, 1997**

[54] **HEAD HAND**  
[76] **Inventor: Coldridge W. Brown, 4005 Depot Rd., East New Market, Md. 21631**  
[\*\*] **Term: 14 Years**  
[21] **Appl. No.: 37,539**  
[22] **Filed: Mar. 17, 1995**  
[51] **LOC (6) Cl. .... 15-01**  
[52] **U.S. Cl. .... D15/5**  
[58] **Field of Search .... D15/5; D8/59, D8/17, 15, 16, 18, 19, 20, 21, 22, 23, 24, 25, 26, 27, 28, 29; 483/21, 22; 411/195, 992; 16/114**

D. 357,617 4/1995 Morrissette ..... D8/21  
D. 364,542 11/1995 Pollard ..... D8/21  
2,606,054 8/1952 Cole ..... 16/114 R

**OTHER PUBLICATIONS**

Jeg's High Performance Mail Order Catalog, p. 80Q at bottom left 1993.

*Primary Examiner*—Louis S. Zarfes  
*Assistant Examiner*—Frank Martinez

[57] **CLAIM**

The ornamental design for a head hand, as shown and described.

**DESCRIPTION**

FIG. 1 is a left side elevation view of a head hands showing my new design;  
FIG. 2 is a front elevation view thereof;  
FIG. 3 is a right side elevation view thereof; and,  
FIG. 4 is a bottom plan view thereof.

[56] **References Cited**  
**U.S. PATENT DOCUMENTS**  
D. 284,637 7/1986 Erickson et al. .... D8/21  
D. 313,153 12/1990 Lockman ..... D8/21  
D. 335,616 5/1993 Schafer ..... D8/21

**1 Claim, 1 Drawing Sheet**

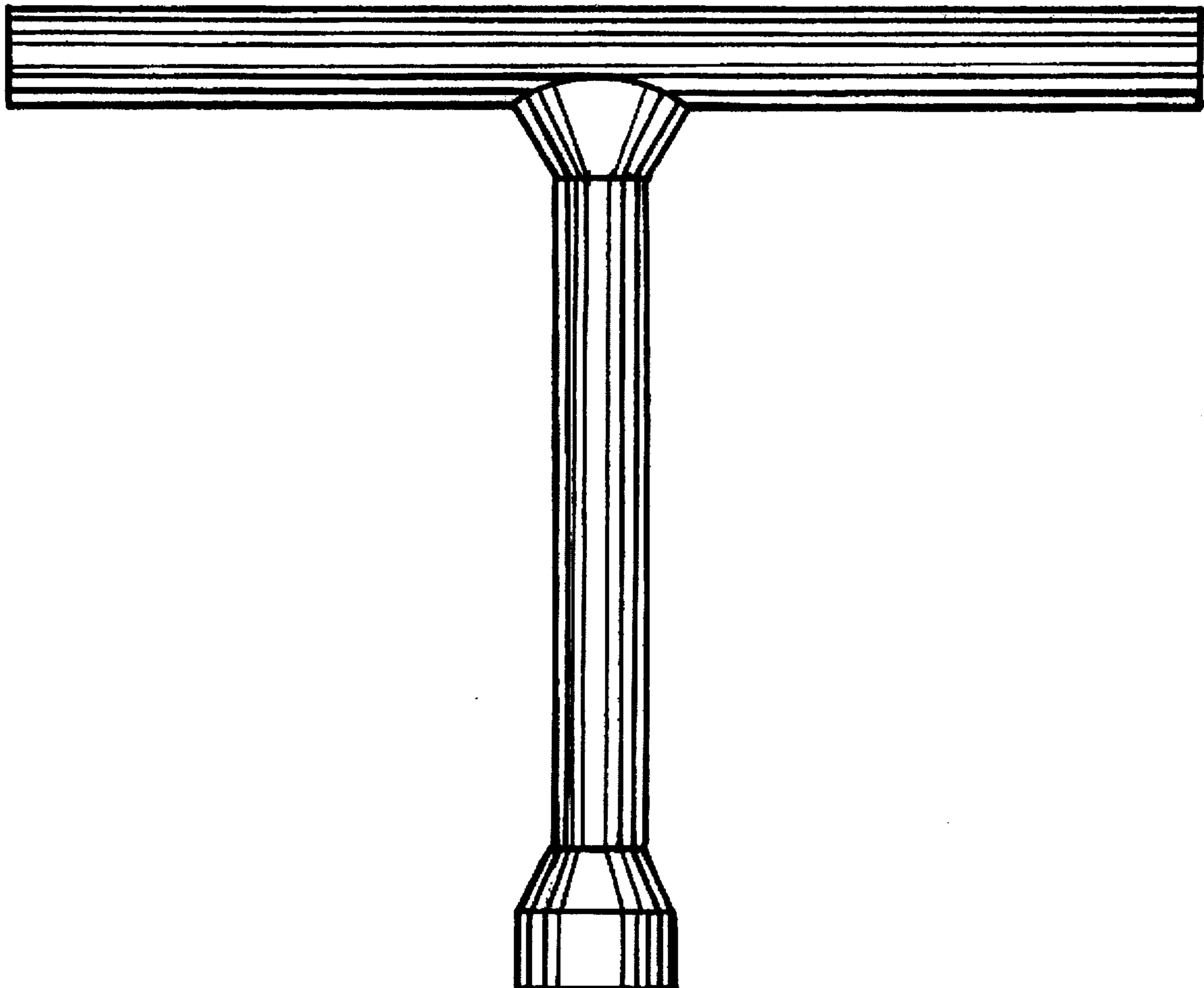




FIG. 1

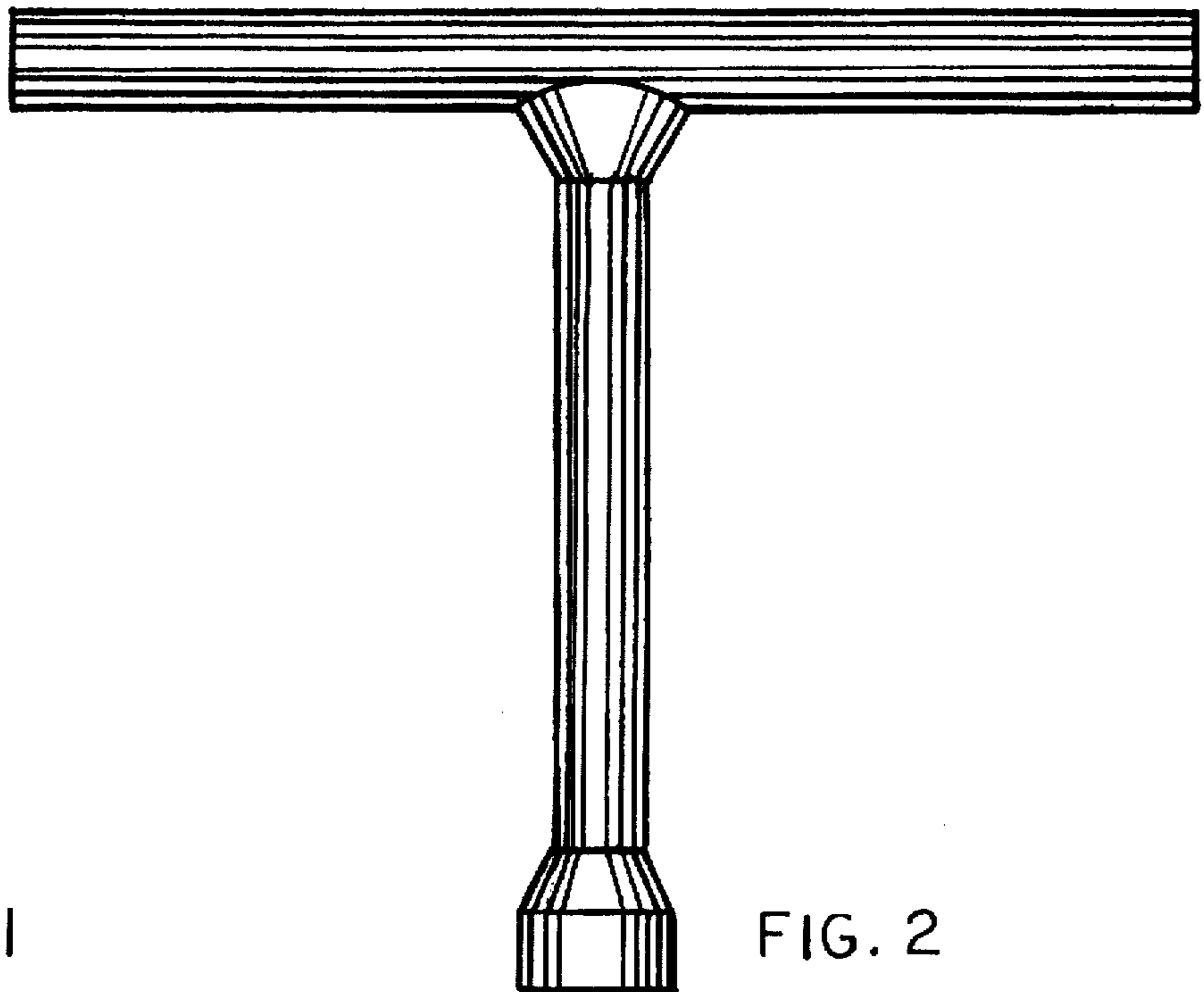


FIG. 2

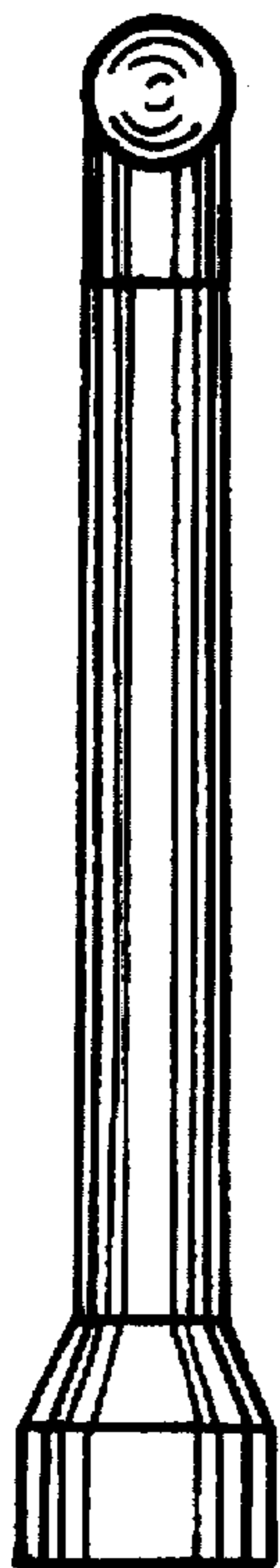


FIG. 3

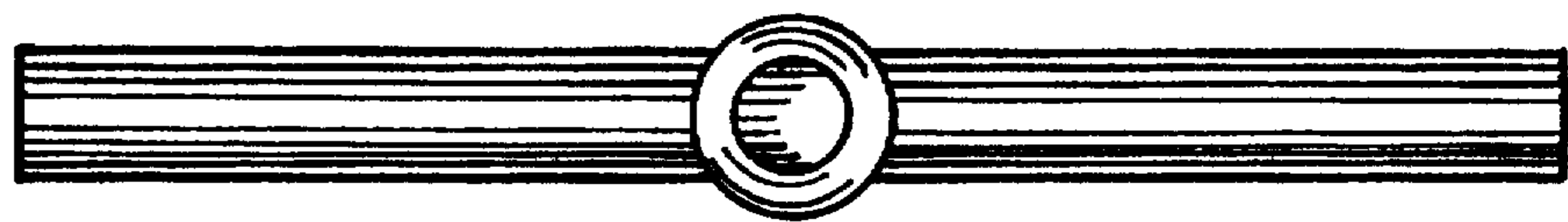


FIG. 4