

US00D385281S

# United States Patent [19]

Volan et al.

[11] Patent Number: **Des. 385,281**

[45] Date of Patent: **\*\*Oct. 21, 1997**

[54] **CONFERENCE PRO REMOTE MICROPHONE**

D. 364,162 11/1995 Dagan ..... D14/188

[75] Inventors: **Gregory D. Volan**, Boulder; **James W. Kendall**, Westminster, both of Colo.

[73] Assignee: **Hello Direct, Inc.**, San Jose, Calif.

[\*\*] Term: **14 Years**

[21] Appl. No.: **49,340**

[22] Filed: **Jan. 23, 1996**

[51] LOC (6) Cl. .... **14-01**

[52] U.S. Cl. .... **D14/227; D14/228**

[58] Field of Search ..... **D14/206, 225-228, D14/299; 181/158, 242; 379/430, 431, 438; 381/91, 122, 168, 169**

### [56] References Cited

#### U.S. PATENT DOCUMENTS

- D. 195,960 8/1963 Spilman ..... D14/225
- D. 195,963 8/1963 Spilman ..... D14/225
- D. 355,915 2/1995 Chan ..... D14/225

### OTHER PUBLICATIONS

Sony Style catalog, Spring/Summer 1993, p. 291, ECM-F9 Electret Condenser Microphone.

*Primary Examiner*—Ted Shooman  
*Assistant Examiner*—Nanda Bondade  
*Attorney, Agent, or Firm*—Haverstock & Associates

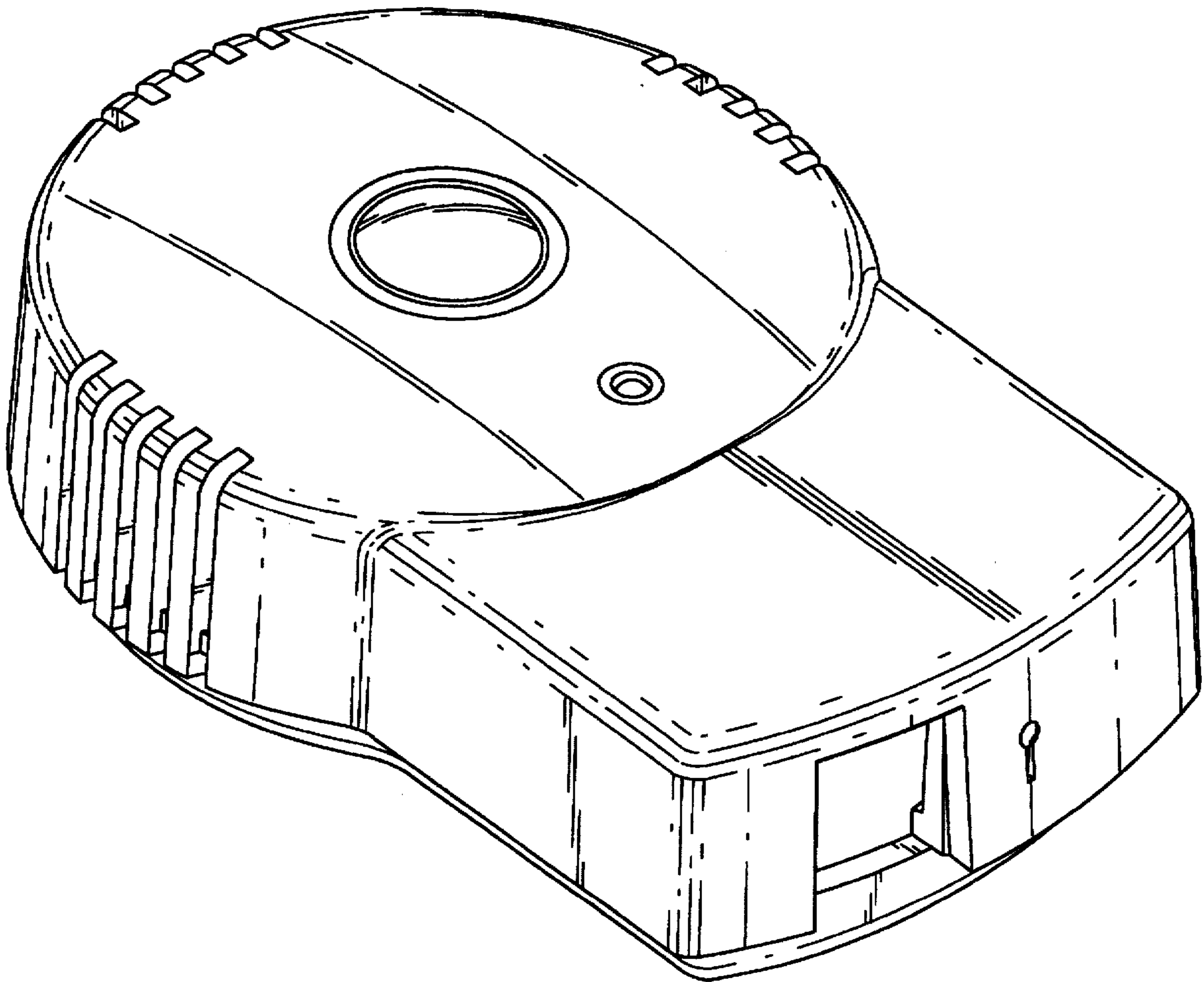
### [57] CLAIM

The ornamental design for a conference pro remote microphone, as shown and described.

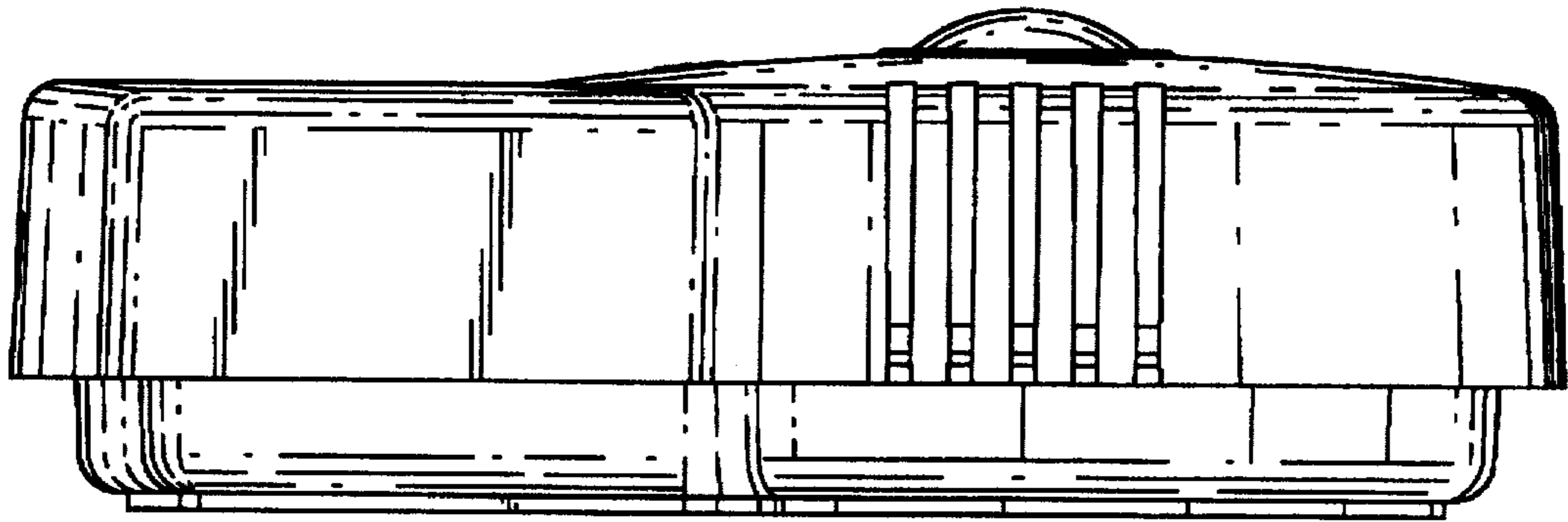
### DESCRIPTION

FIG. 1 is a right side elevational view of a conference pro remote microphone showing our new design; FIG. 2 is a back side elevational view thereof; FIG. 3 is a bottom elevational view thereof; FIG. 4 is a front side elevational view thereof; FIG. 5 is a left side elevational view thereof; FIG. 6 is a top elevational view thereof; and, FIG. 7 is an enlarged perspective view thereof.

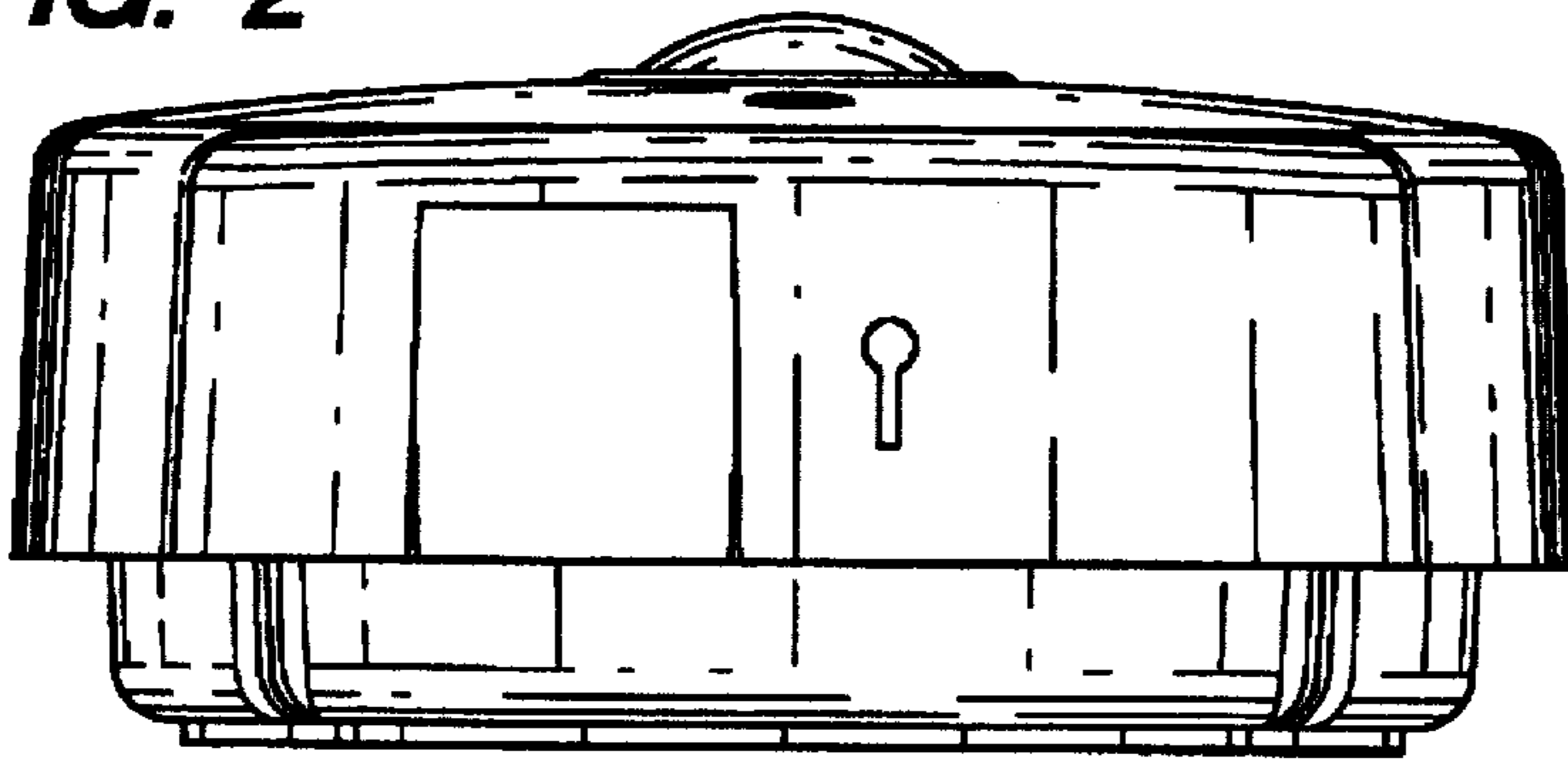
**1 Claim, 3 Drawing Sheets**



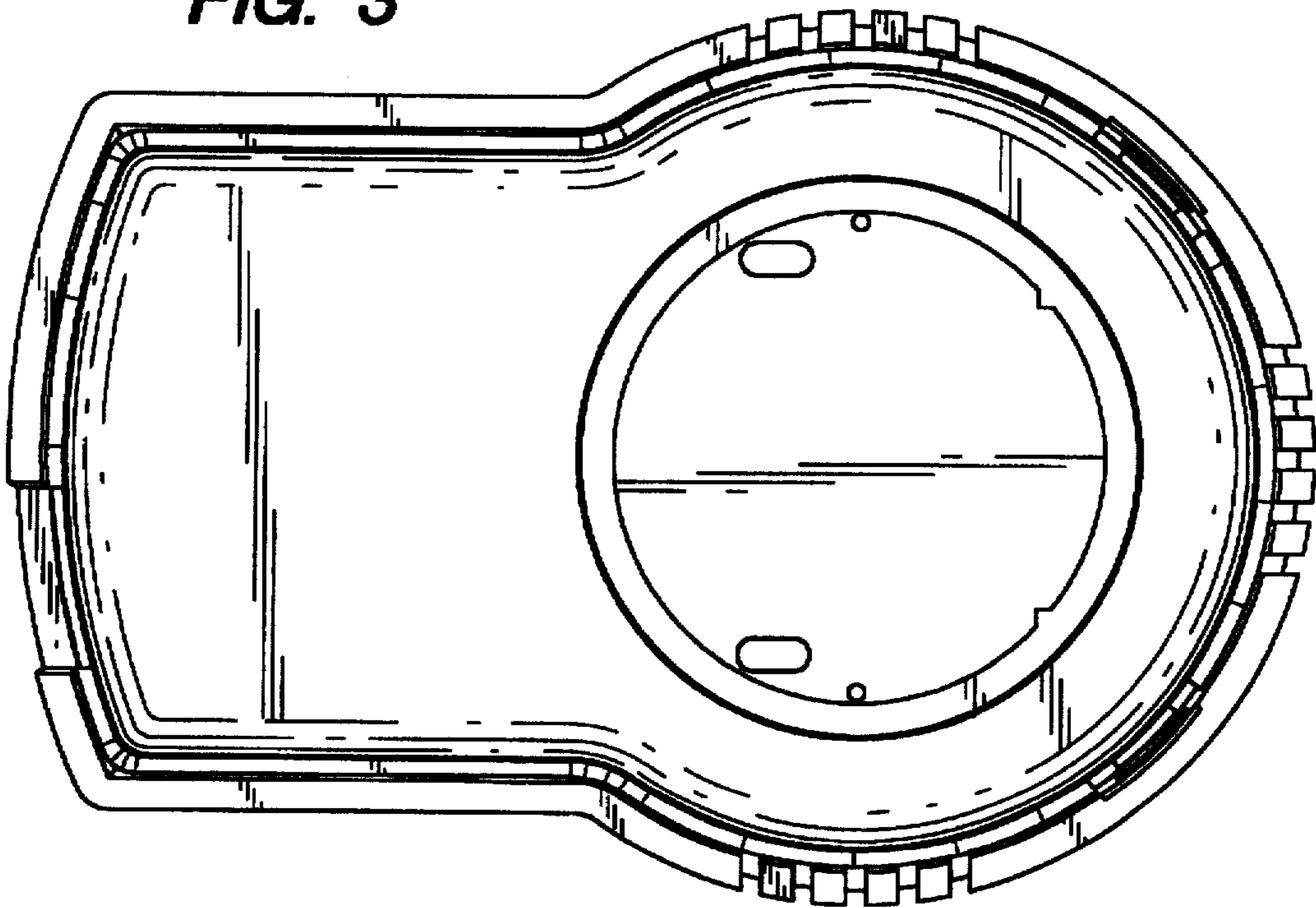
**FIG. 1**



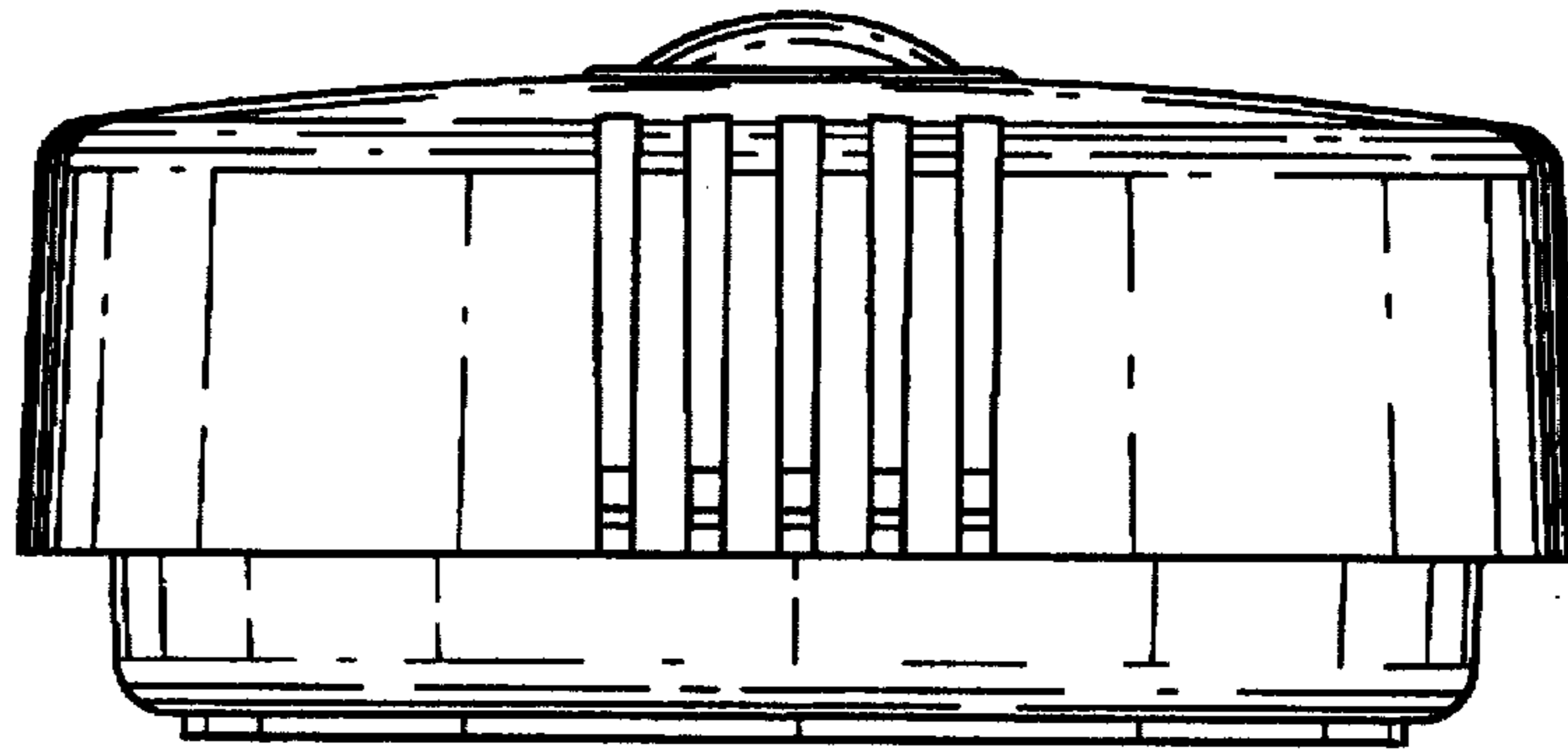
**FIG. 2**



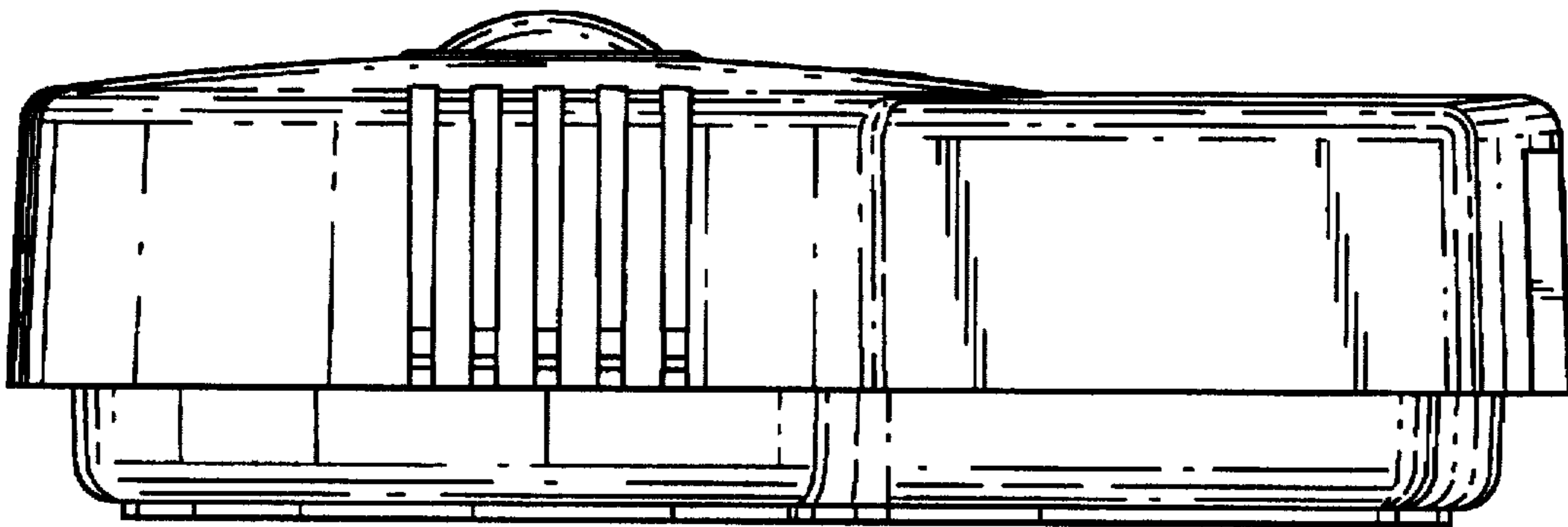
**FIG. 3**



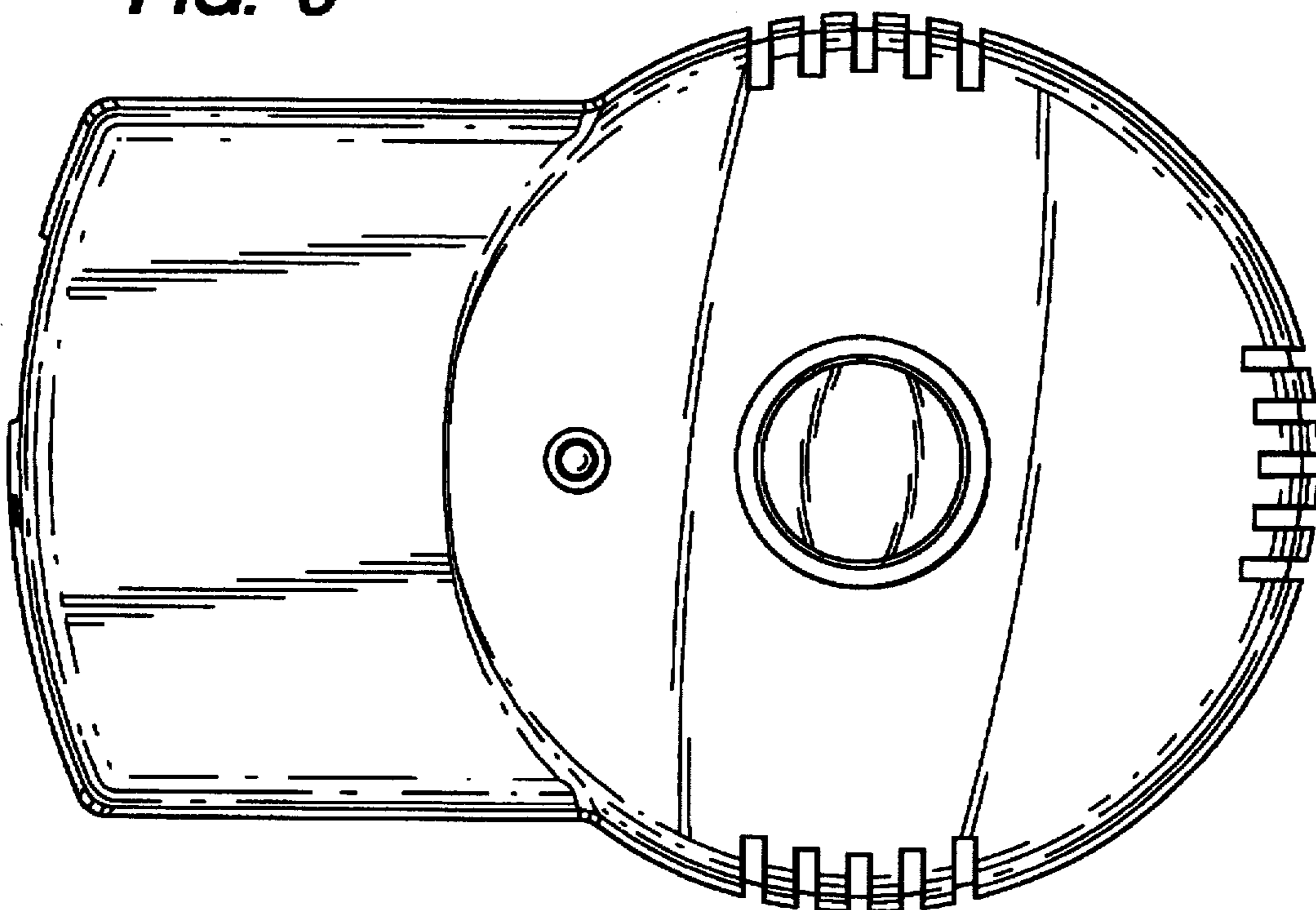
**FIG. 4**



**FIG. 5**



**FIG. 6**



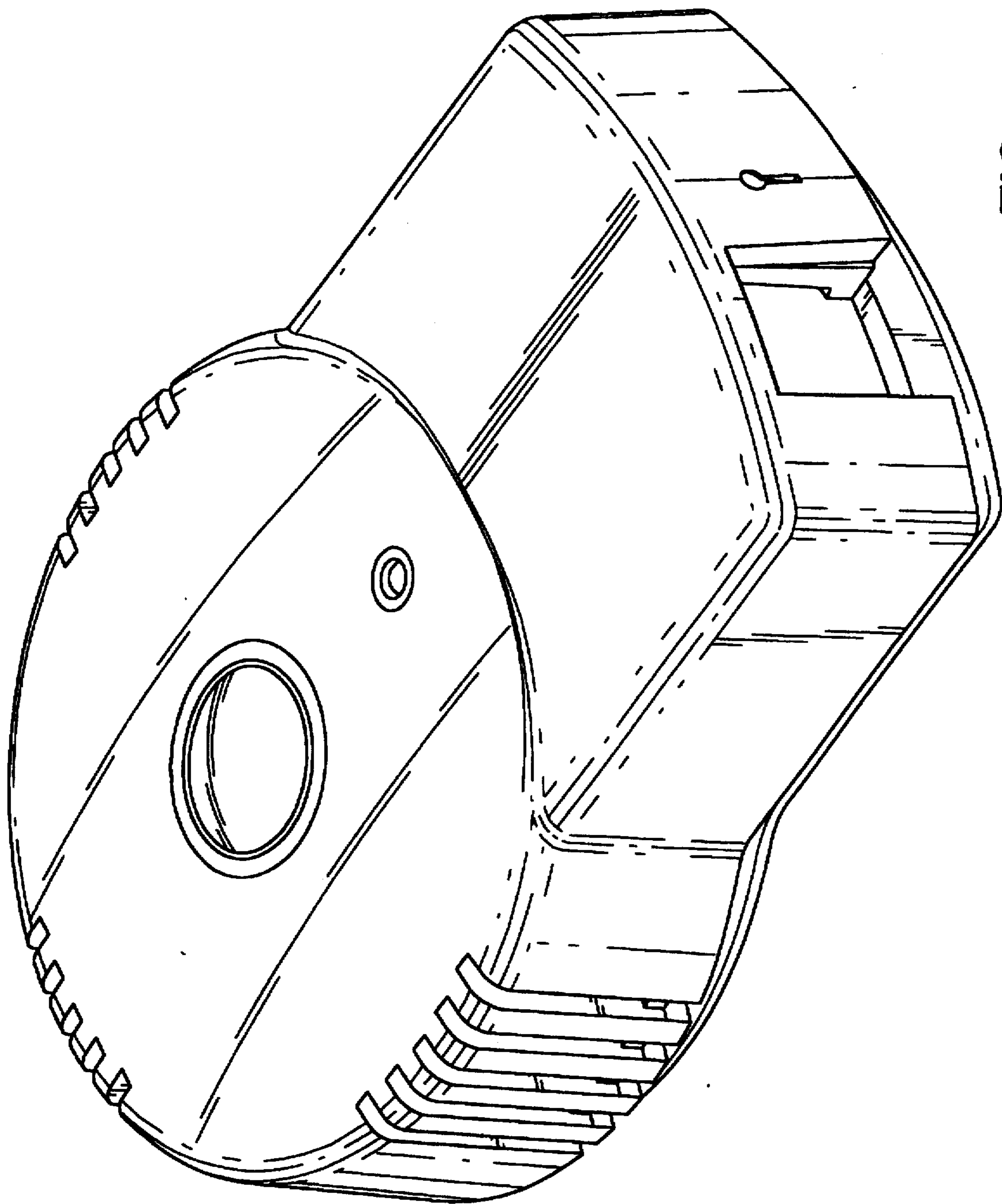


FIG. 7