



US00D385269S

United States Patent [19] Kim

[11] Patent Number: Des. 385,269
[45] Date of Patent: **Oct. 21, 1997

[54] **PORTABLE RADIO COMMUNICATION APPARATUS**
[75] Inventor: **Eui Myung Kim**, Seoul, Rep. of Korea
[73] Assignee: **Metex Corporation**, Seoul, Rep. of Korea
[**] Term: **14 Years**

D. 292,211	10/1987	Imazeki	D14/137
D. 293,239	12/1987	Larson et al.	D14/155
D. 309,136	7/1990	Siddoway	D14/137
D. 324,518	3/1992	Ichimura	D14/137
D. 339,128	9/1993	Claxton et al.	D14/138
D. 348,878	7/1994	Lindeman et al.	D14/137
D. 358,147	5/1995	Siddoway et al.	D14/137
4,257,121	3/1981	Henderson et al.	455/128

[21] Appl. No.: **52,660**
[22] Filed: **Apr. 2, 1996**
[30] **Foreign Application Priority Data**

Oct. 25, 1995 [KR] Rep. of Korea 95-20704

[51] **LOC (6) CL** **14-03**
[52] **U.S. Cl.** **D14/137**
[58] **Field of Search** D14/124, 137, D14/138, 147, 148-151, 155, 159, 188, 257, 192-198, 299; 379/58-61, 419, 420, 428, 440, 433, 455, 454; 455/73, 89, 90, 100, 128, 347

[56] **References Cited**

U.S. PATENT DOCUMENTS

D. 240,835	8/1976	Toth et al.	D14/137
D. 268,182	3/1983	Asano et al.	D14/137
D. 282,661	2/1986	Imazeki	D14/137
D. 290,842	7/1987	Schied et al.	D14/137

OTHER PUBLICATIONS

CQ Magazine, Jan. 1981, p. 26, Kenwood TR-2400.
Primary Examiner—Jeffrey Asch
Attorney, Agent, or Firm—Finnegan, Henderson, Farabow, Garrett & Dunner

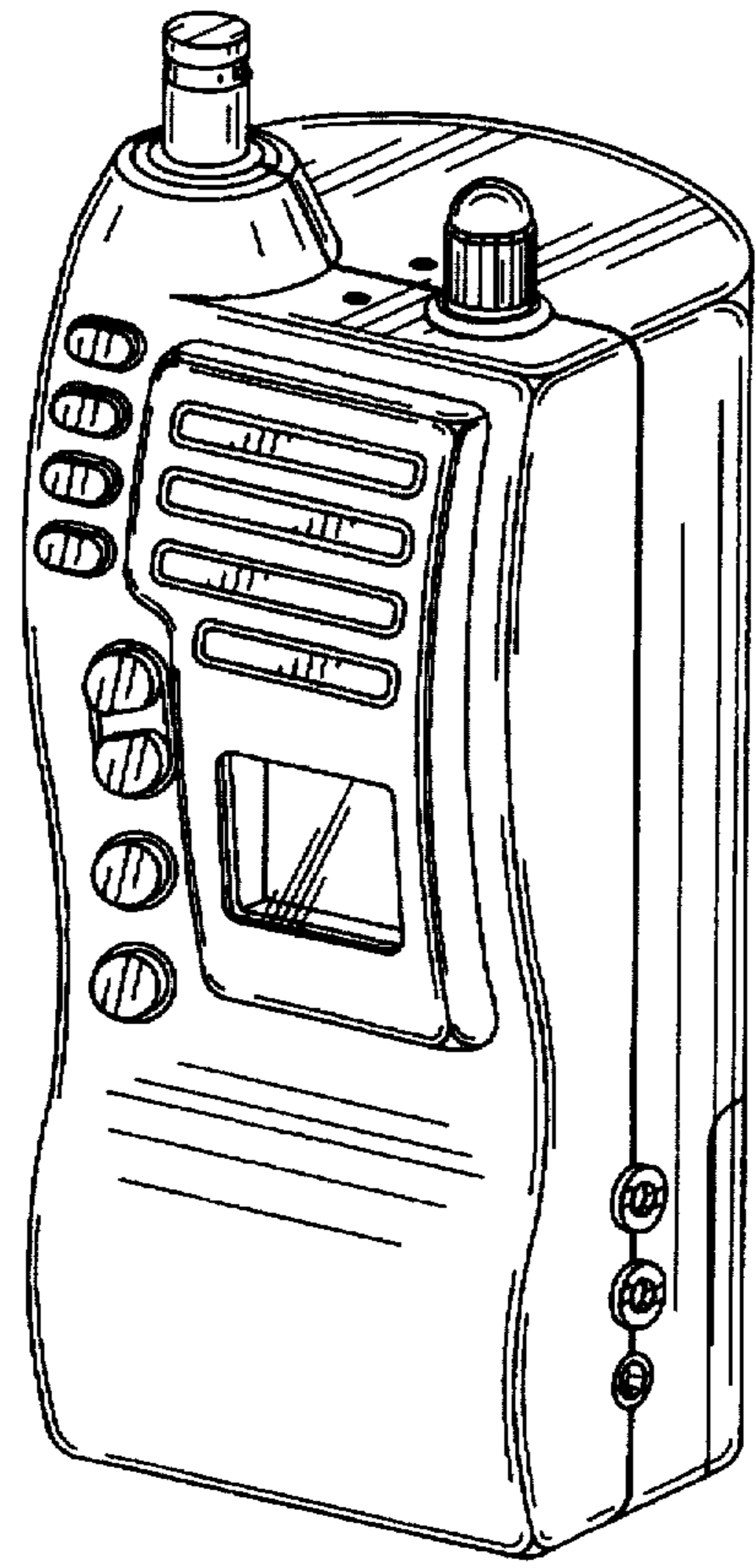
[57] **CLAIM**

The ornamental design for "a portable radio communication apparatus," as shown.

DESCRIPTION

FIG. 1 is a front view of a portable radio communication apparatus showing new design;
FIG. 2 is a rear side view thereof;
FIG. 3 is a left side view thereof;
FIG. 4 is a right side view thereof;
FIG. 5 is a top plan view thereof;
FIG. 6 is a bottom plan view thereof; and,
FIG. 7 is a perspective view thereof.

1 Claim, 4 Drawing Sheets



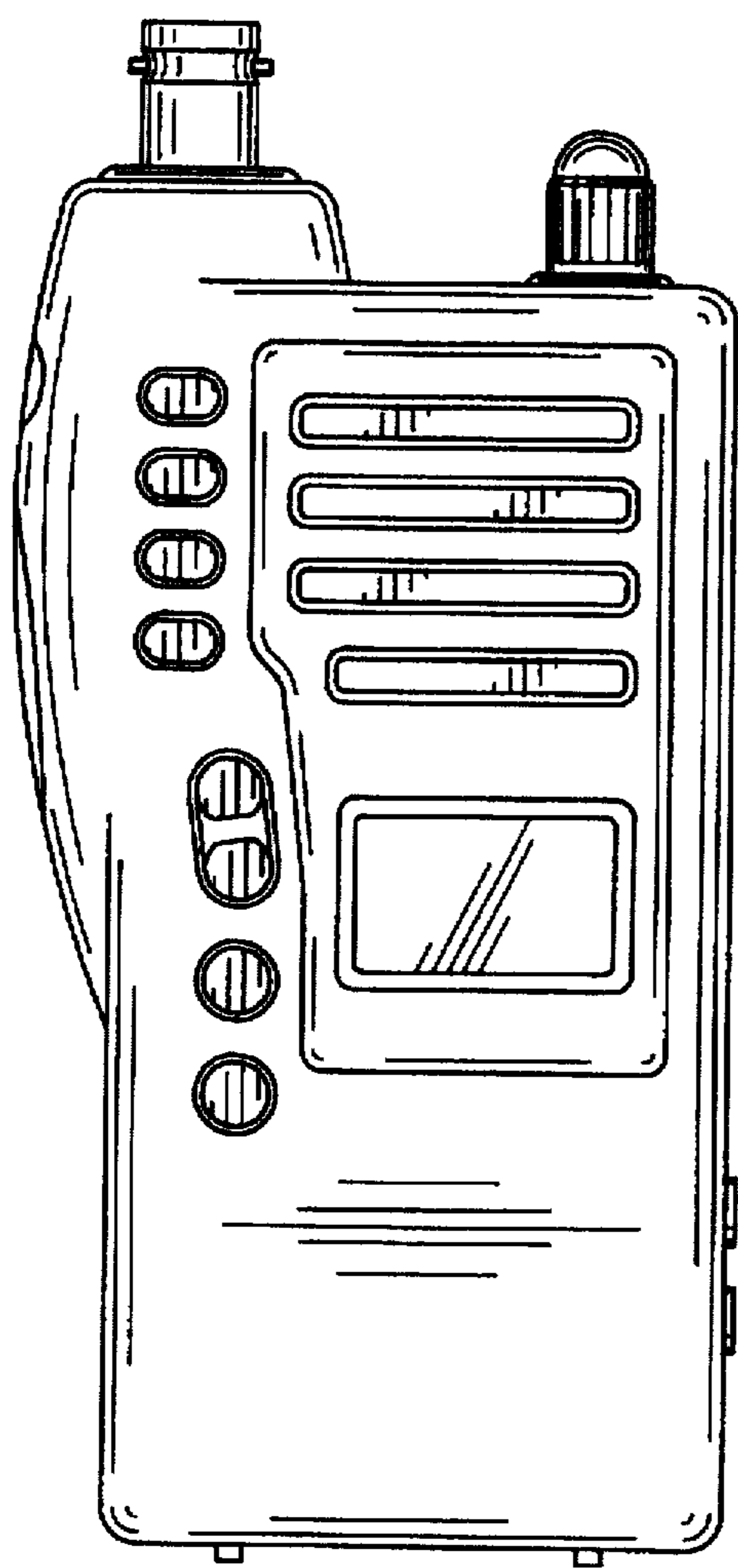


FIG. 1

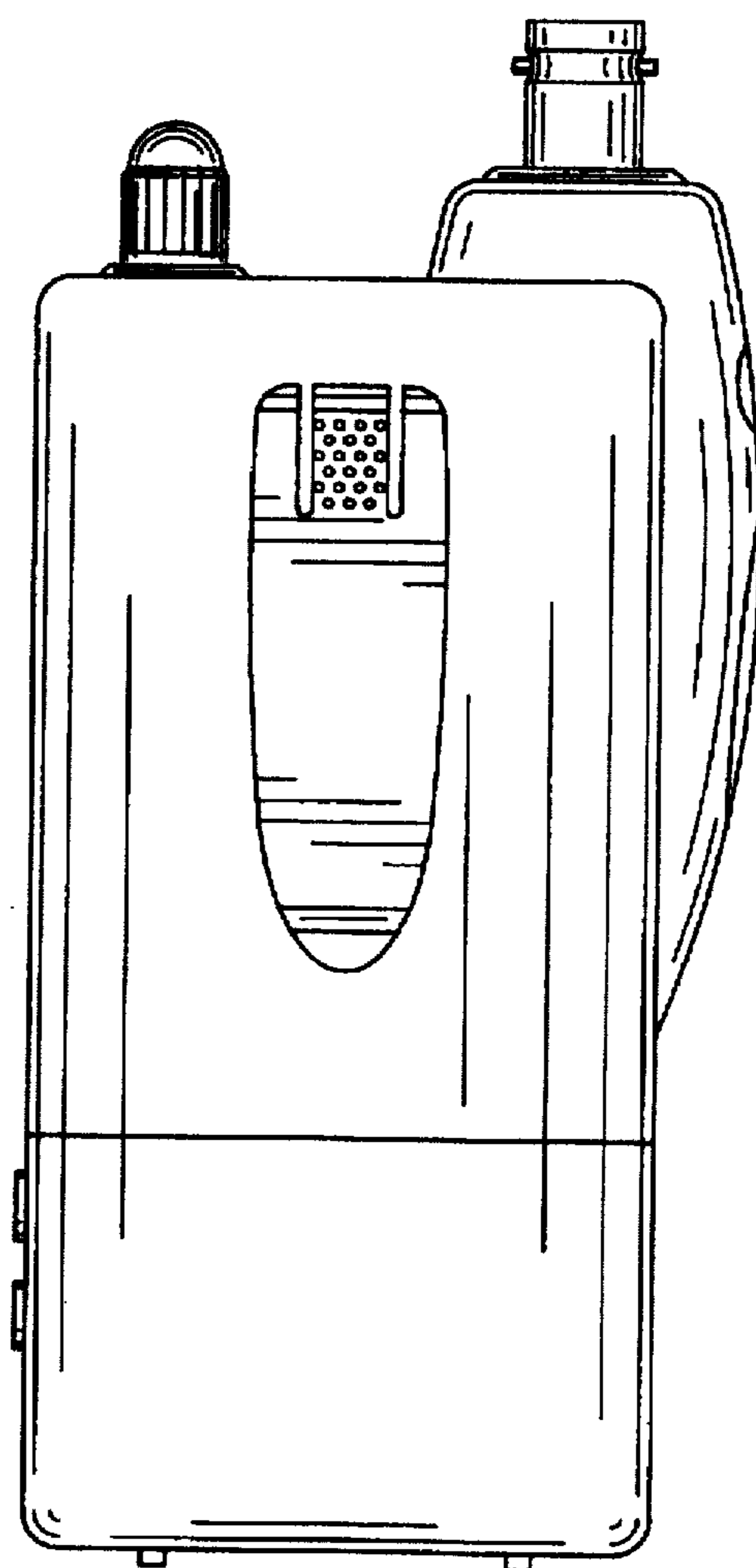


FIG. 2

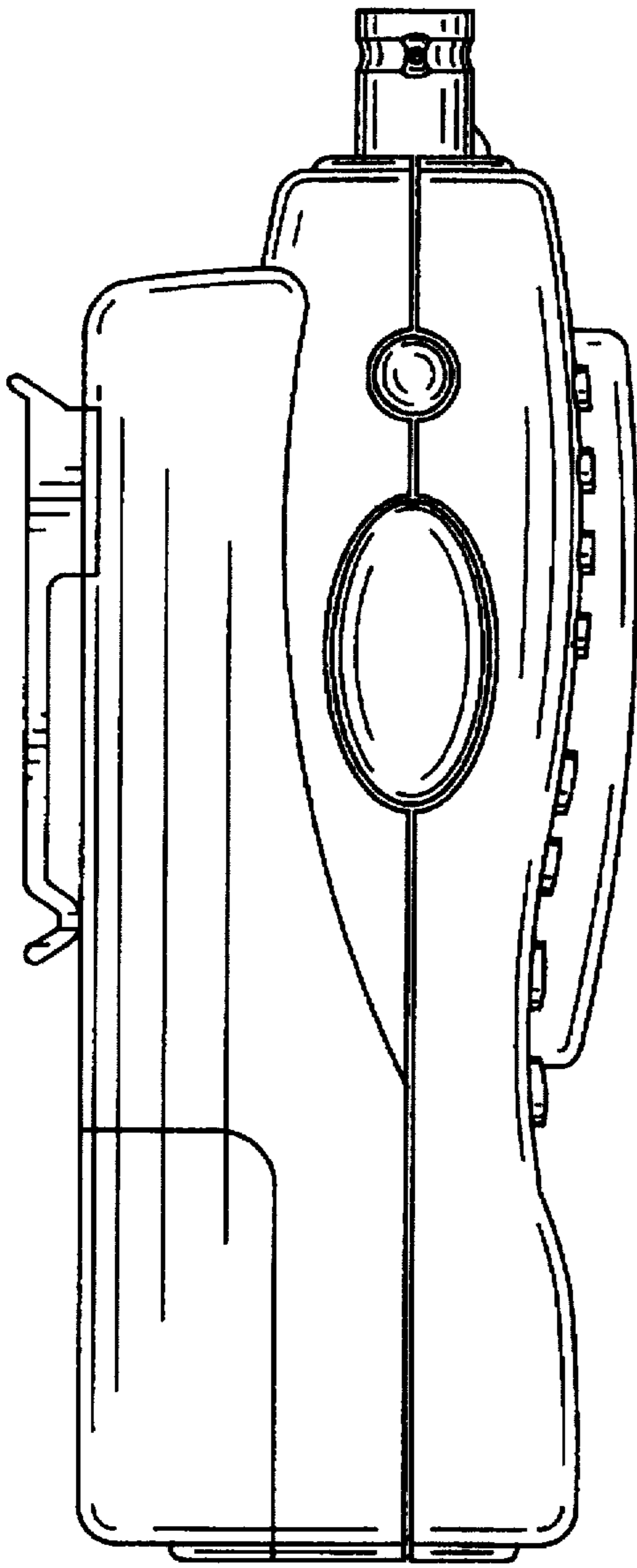


FIG. 3

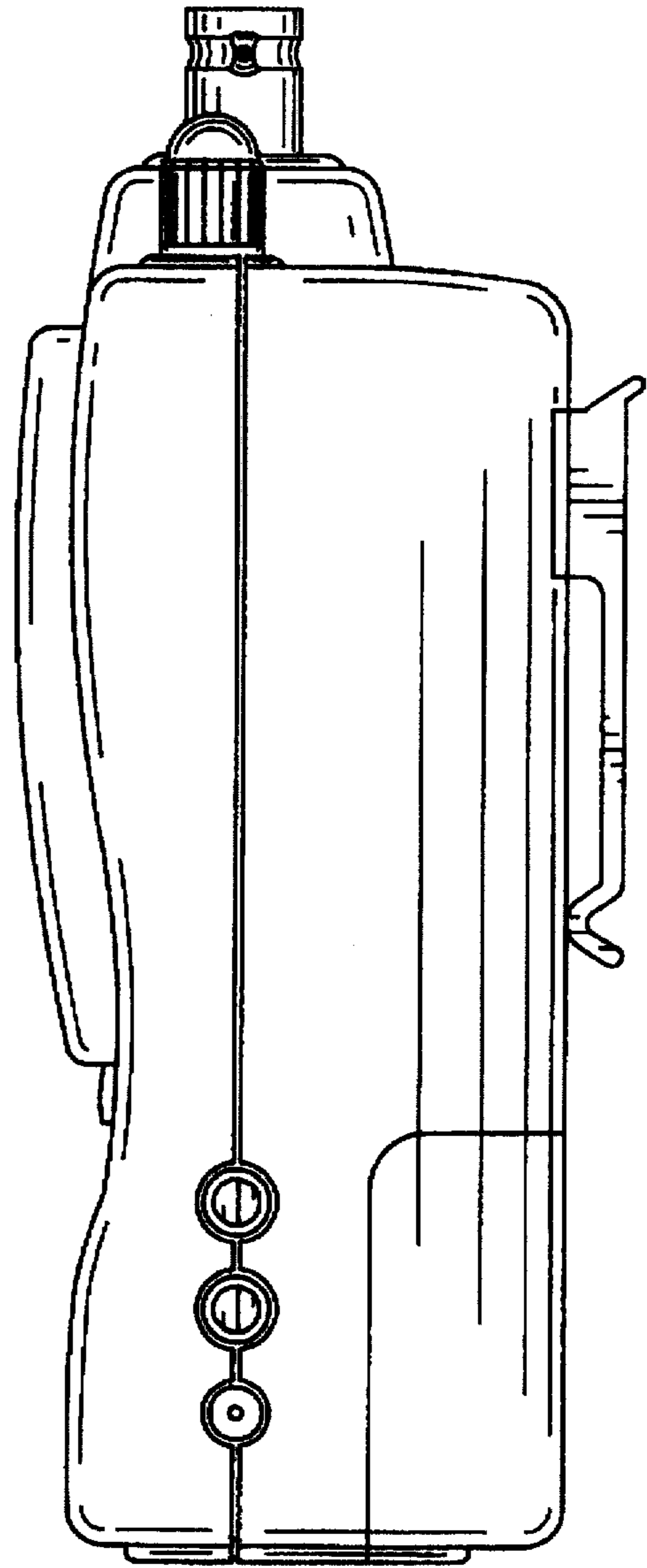


FIG. 4

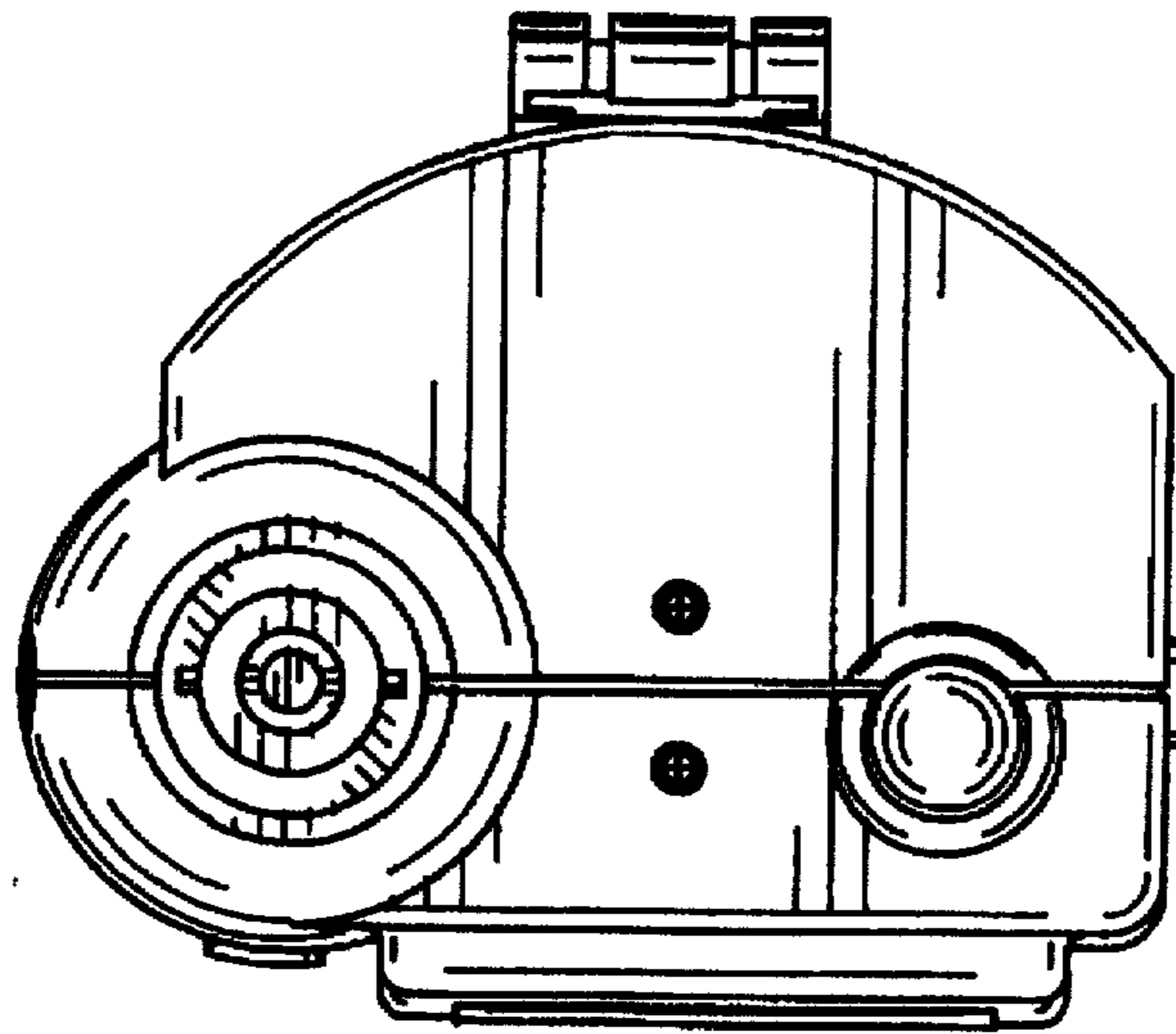


FIG. 5

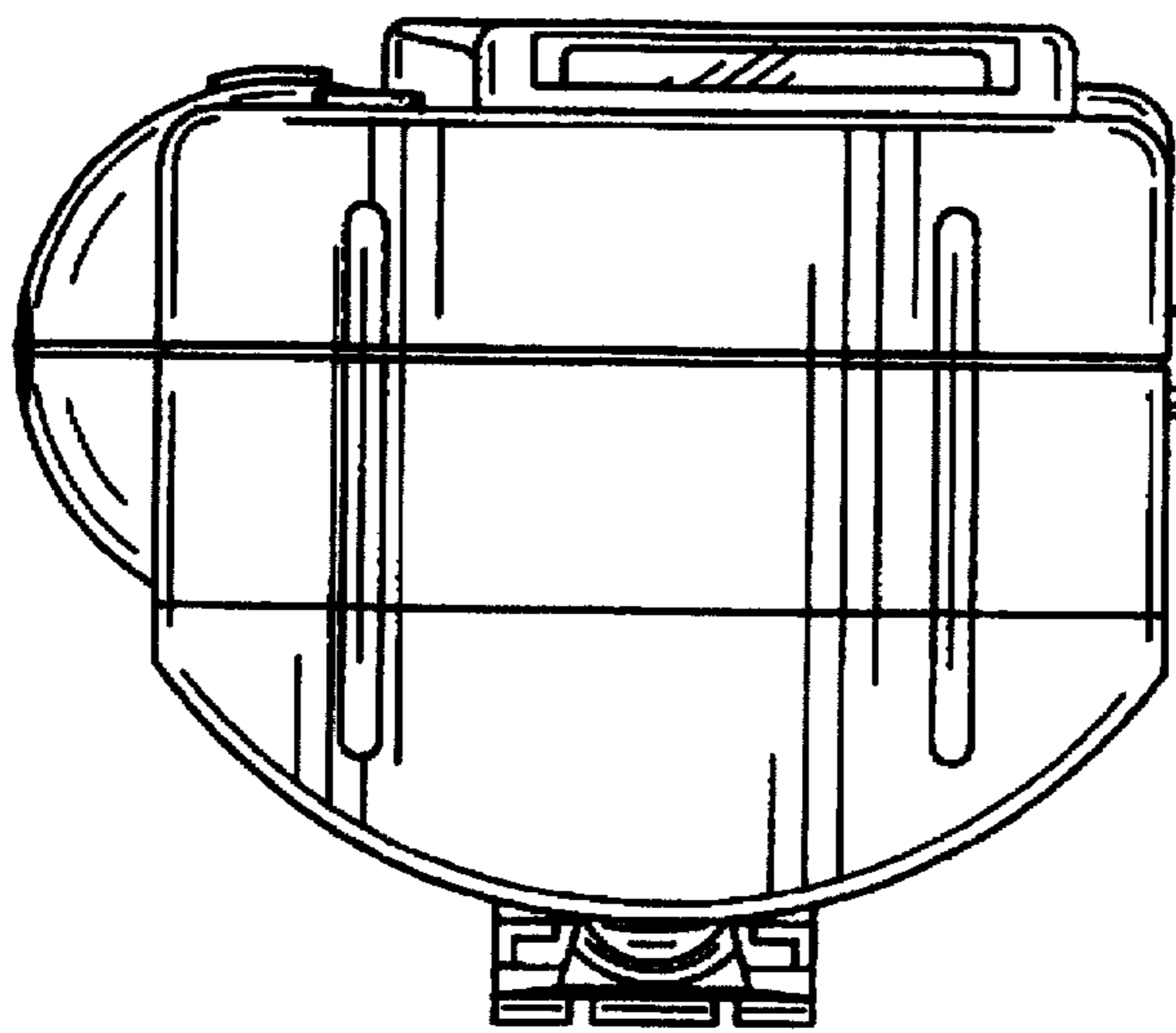


FIG. 6

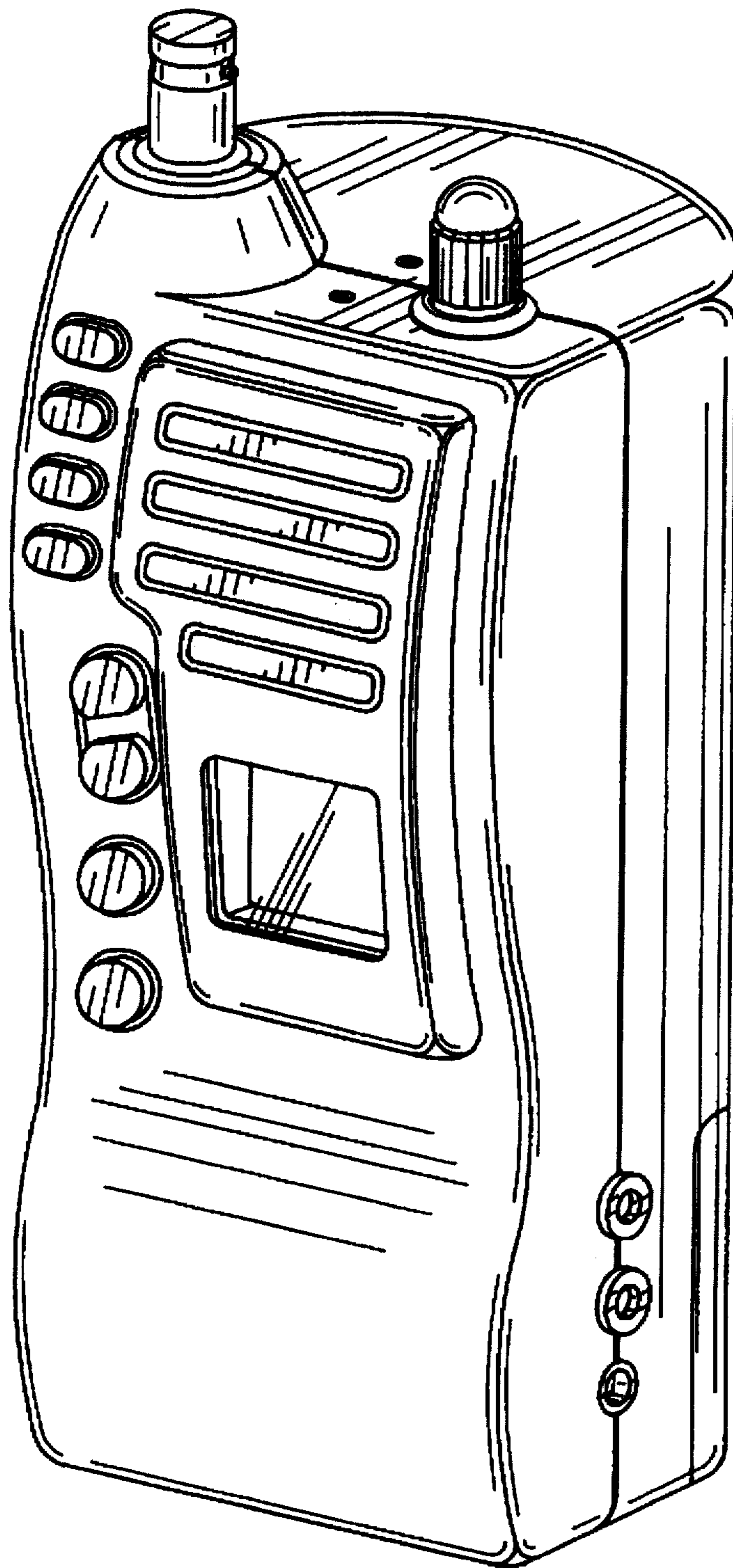


FIG. 7