



US00D385267S

# United States Patent [19] Omino

[11] Patent Number: **Des. 385,267**  
[45] Date of Patent: **\*\*Oct. 21, 1997**

[54] **FACSIMILE TRANSMITTER-RECEIVER**

[75] Inventor: **Seiichi Omino, Kawasaki, Japan**

[73] Assignee: **Canon Kabushiki Kaisha, Tokyo, Japan**

[\*\*] Term: **14 Years**

[21] Appl. No.: **59,169**

[22] Filed: **Sep. 4, 1996**

[30] **Foreign Application Priority Data**

Mar. 14, 1996 [JP] Japan ..... 8-7056

[51] LOC (6) Cl. .... **16-03**

[52] U.S. Cl. .... **D14/118**

[58] Field of Search ..... D14/118, 124,  
D14/299; 358/400, 401; D18/36, 37

[56] **References Cited**

**U.S. PATENT DOCUMENTS**

D. 293,240	12/1987	Hashimoto	.....	D14/118
D. 300,532	4/1989	Yoshihama	.....	D14/118
D. 303,960	10/1989	Toru et al.	.....	D14/118
D. 314,569	2/1991	Tsuruoka	.....	D14/118
D. 344,080	2/1994	Omino	.....	D14/118
D. 346,163	4/1994	Sowden	.....	D14/118
D. 365,343	12/1995	Omino	.....	D14/118

D. 370,479	6/1996	Omino	.....	D14/118
D. 373,763	9/1996	Daley	.....	D14/118
D. 374,030	9/1996	Horiki et al.	.....	D14/118
4,872,061	10/1989	Uchiyama	.....	358/400
5,337,165	8/1994	Riousset et al.	.....	358/401 X

**OTHER PUBLICATIONS**

Panasonic Panafax Facsimile, Jun. -1994, front page.  
Lumina Serles 2000, Feb. 1995, front page.

*Primary Examiner*—Prabhakar G. Deshmukh  
*Attorney, Agent, or Firm*—Fitzpatrick, Cella, Harper & Scinto

[57] **CLAIM**

The ornamental design for a facsimile transmitter-receiver, as shown and described.

**DESCRIPTION**

FIG. 1 is a front view of a facsimile transmitter-receiver showing my new design;  
FIG. 2 is a rear view thereof;  
FIG. 3 is a top plan view thereof;  
FIG. 4 is a bottom plan view thereof;  
FIG. 5 is a left side view thereof;  
FIG. 6 is a right side view thereof; and,  
FIG. 7 is a perspective view thereof.

**1 Claim, 5 Drawing Sheets**

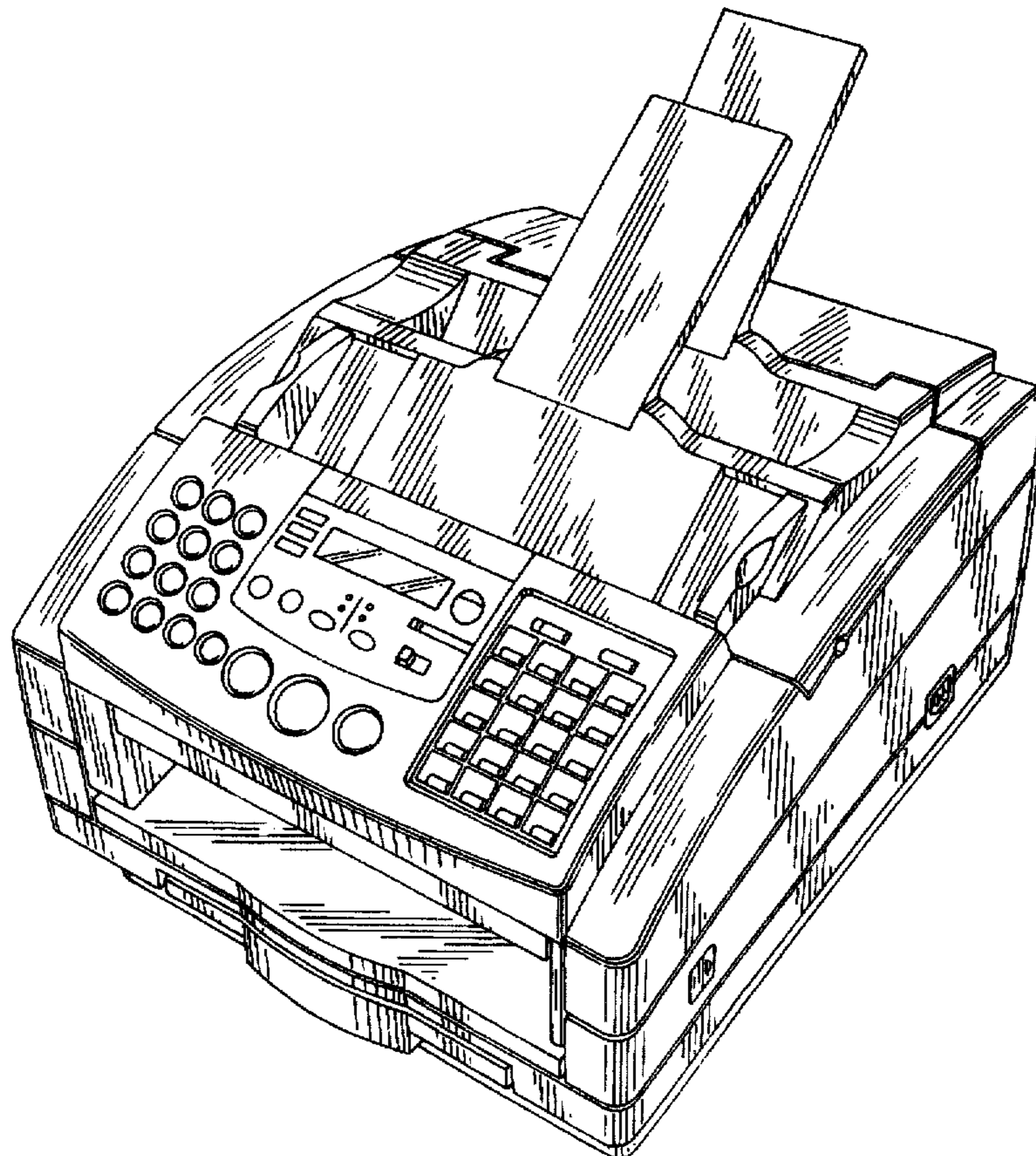


FIG. 1

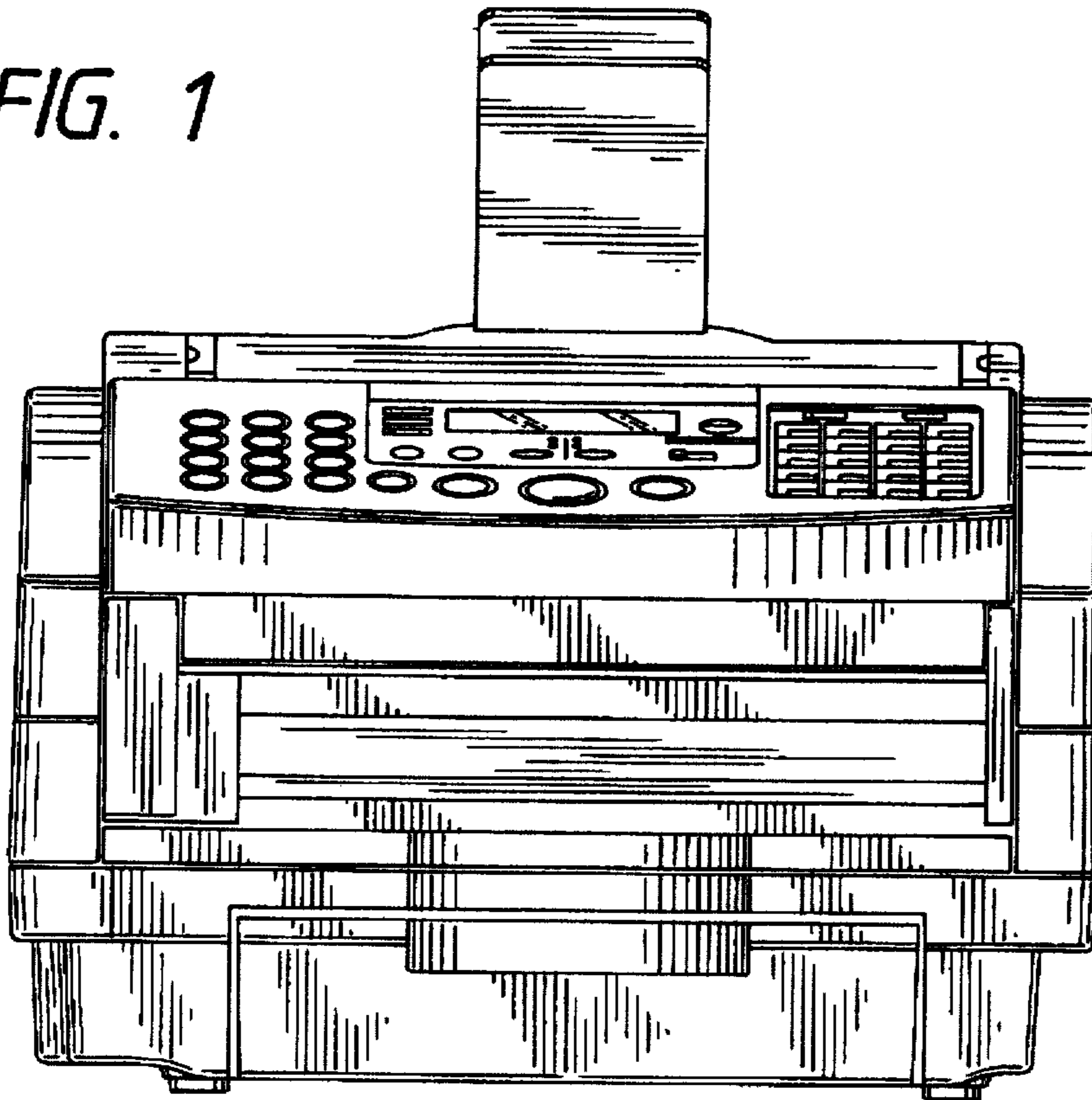
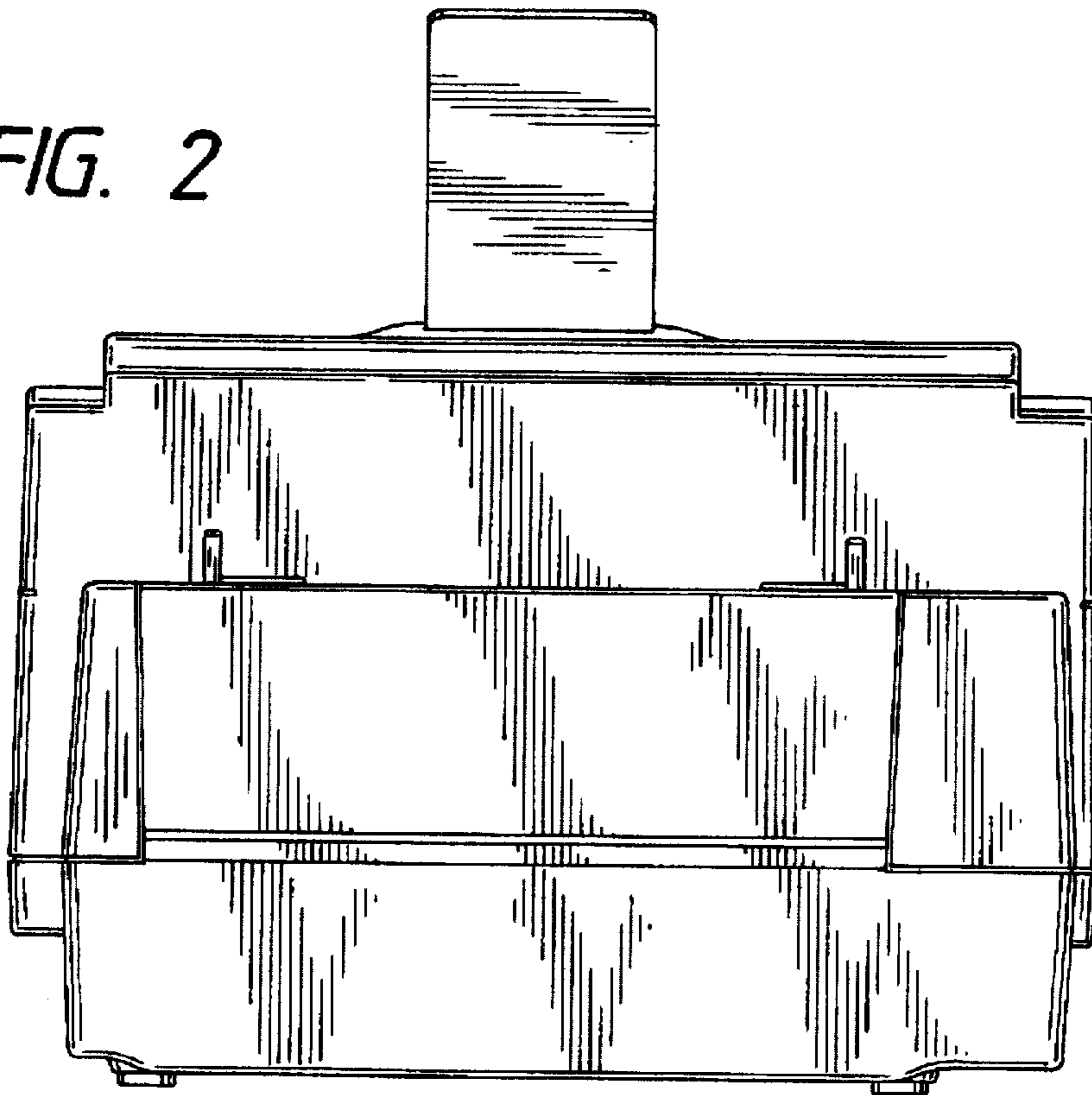


FIG. 2



*FIG. 3*

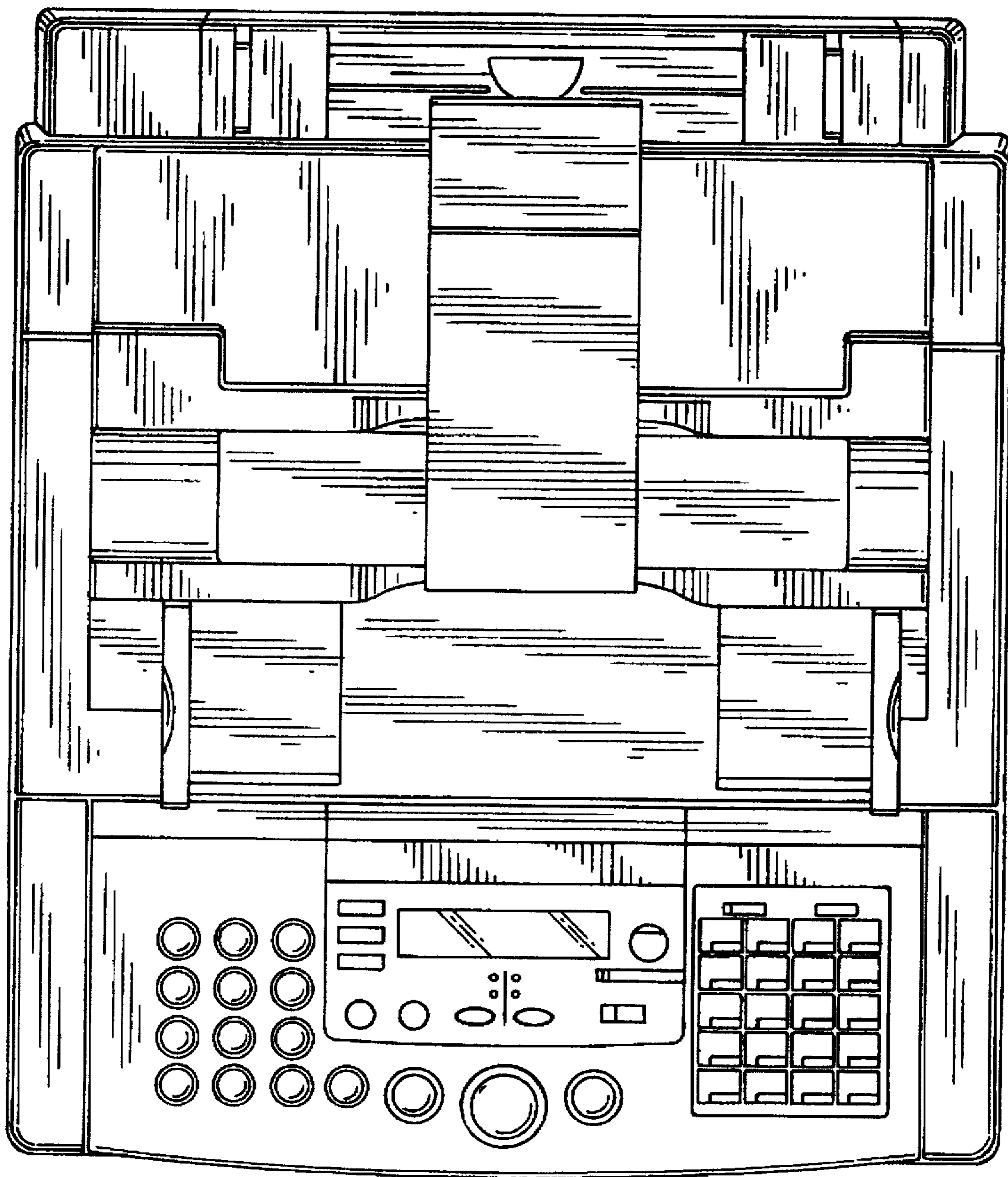


FIG. 4

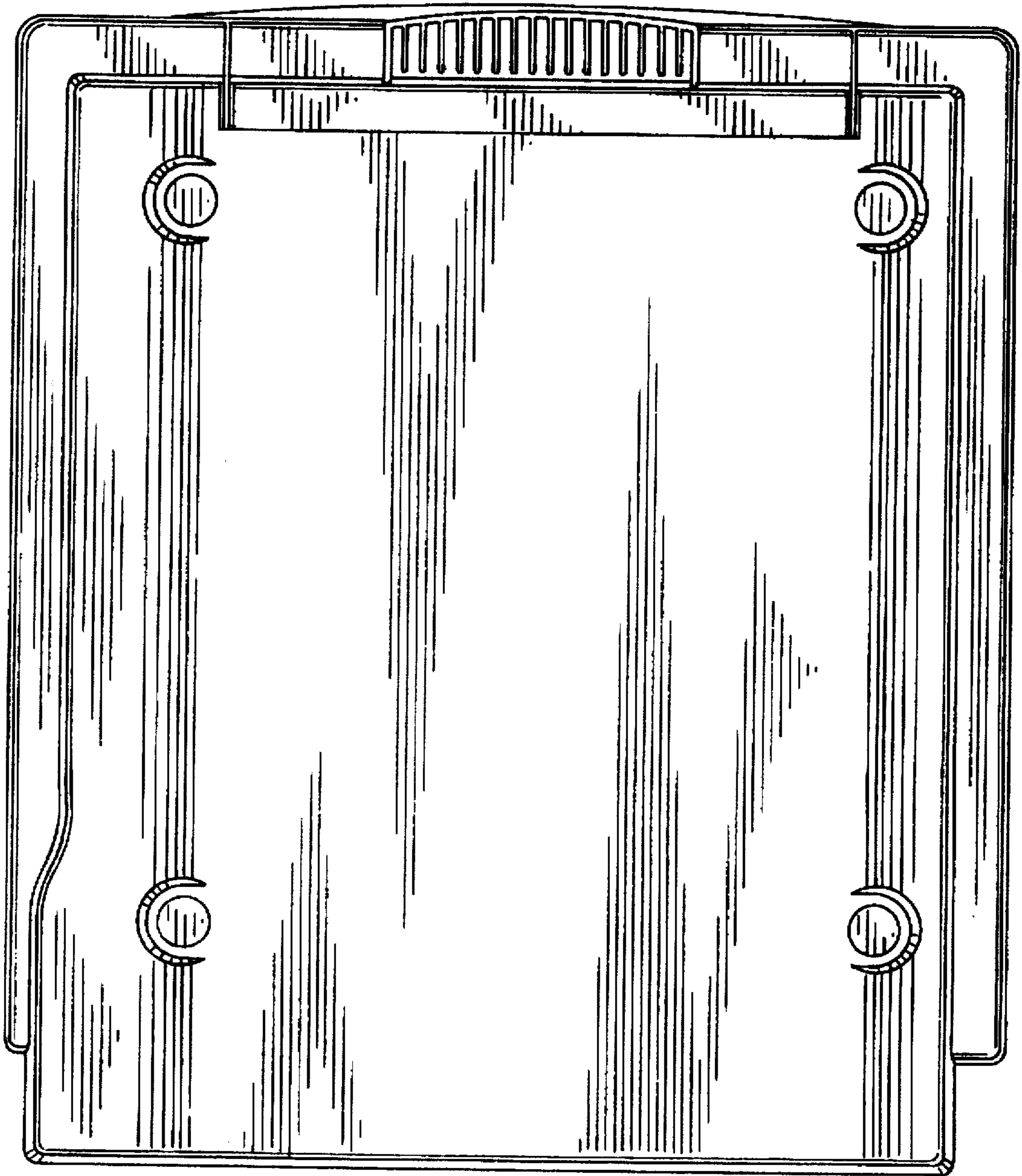


FIG. 5

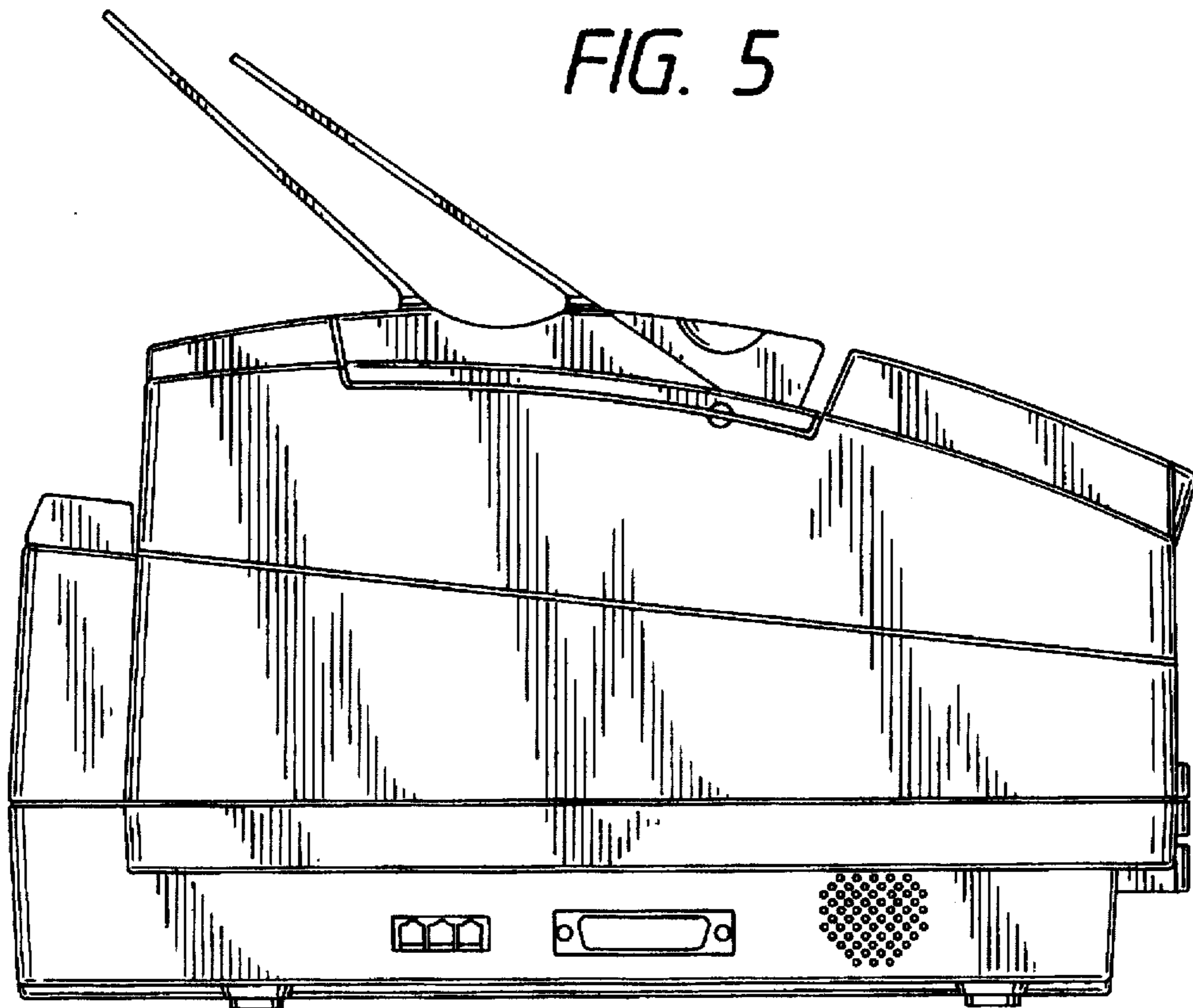


FIG. 6

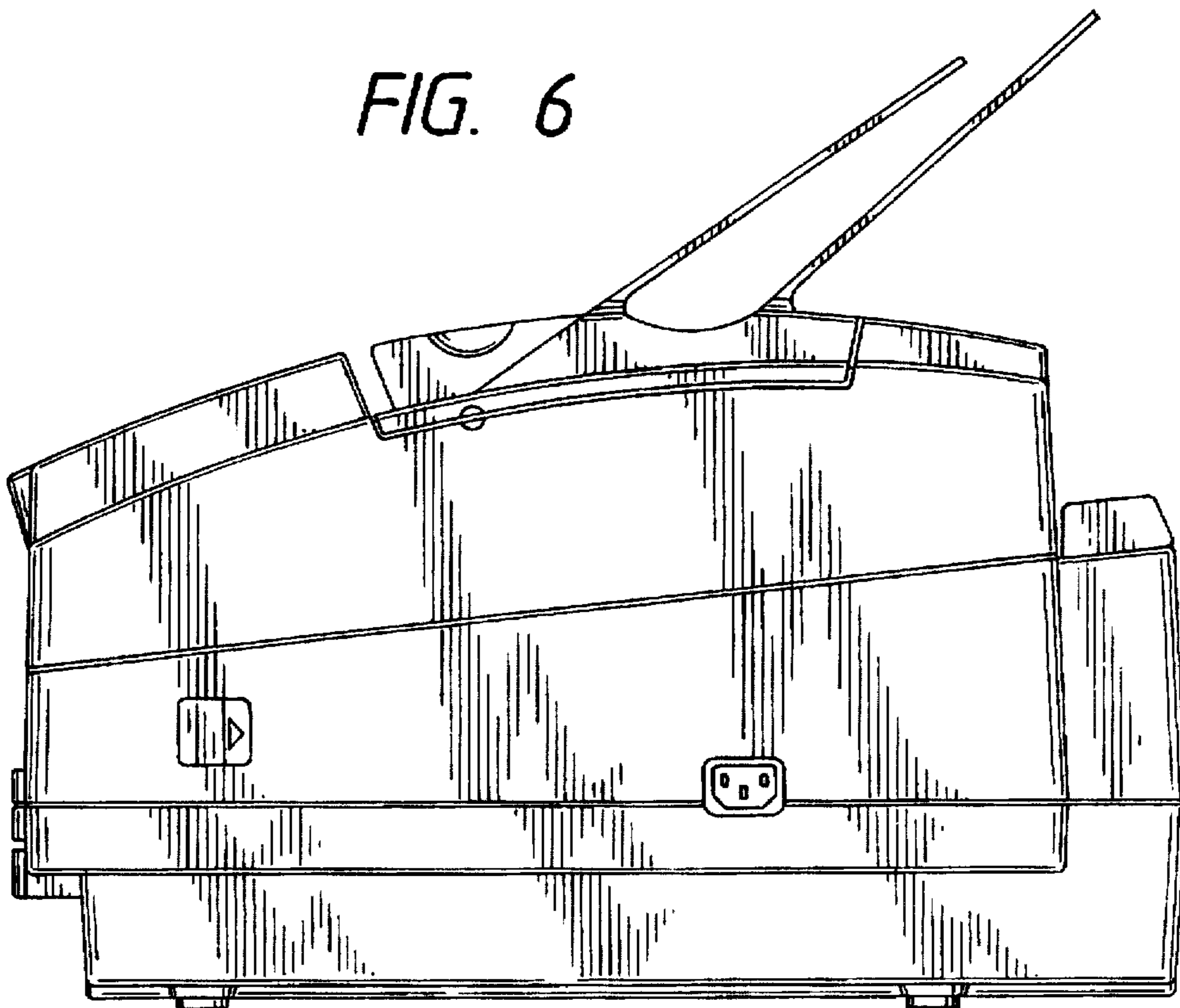


FIG. 7

