



US00D385266S

# United States Patent [19] Matsushima

[11] Patent Number: Des. 385,266

[45] Date of Patent: \*\*Oct. 21, 1997

[54] **FACSIMILE MACHINE**

[75] Inventor: **Takashi Matsushima**, Nara-ken, Japan

[73] Assignee: **Sharp Kabushiki Kaisha**, Osaka, Japan

[\*\*] Term: **14 Years**

[21] Appl. No.: **53,355**

[22] Filed: **Sep. 8, 1995**

[30] **Foreign Application Priority Data**

Mar. 9, 1995 [JP] Japan ..... 7-6723

[51] LOC (6) CL ..... **16-03**

[52] U.S. Cl. .... **D14/118**

[58] Field of Search ..... D14/118, 299,  
D14/124; 358/400, 401, 402; D18/36, 37

[56] **References Cited**

**U.S. PATENT DOCUMENTS**

- D. 331,756 12/1992 Sawada et al. .
- D. 331,924 12/1992 Sawada et al. .
- D. 331,925 12/1992 Sawada et al. .
- D. 332,094 12/1992 Sawada et al. .
- D. 332,259 1/1993 Kashiwabara et al. .... D14/118
- D. 339,333 9/1993 Sawada et al. .
- D. 345,155 3/1994 Hiroki et al. .... D14/118
- D. 355,177 2/1995 Sawada et al. .
- D. 355,178 2/1995 Sawada et al. .
- D. 355,179 2/1995 Sawada et al. .
- D. 357,677 4/1995 Sawada et al. .... D14/118

- D. 361,994 9/1995 Sawada et al. .
- D. 363,278 10/1995 Kashiwabara et al. .... D14/118
- D. 363,713 10/1995 Kanari et al. .
- D. 366,480 1/1996 Shimizu .
- D. 376,793 12/1996 Satoh et al. .... D14/118
- 4,872,061 10/1989 Uchiyama ..... 358/400
- 4,914,281 4/1990 Benton et al. .... D14/118 X
- 5,172,243 12/1992 Hayashi et al. .... 358/400
- 5,183,431 2/1993 Todokoro ..... 358/400 X

**OTHER PUBLICATIONS**

Panafax Facsimile Jun. 1994, Front Page.  
Soft Warehouse. The Computer Superstore, 1989-90 p. 34.  
Radioshack, 1991 CAT, p. 4.

*Primary Examiner*—Prabhakar G. Deshmukh  
*Attorney, Agent, or Firm*—Nixon & Vanderhye

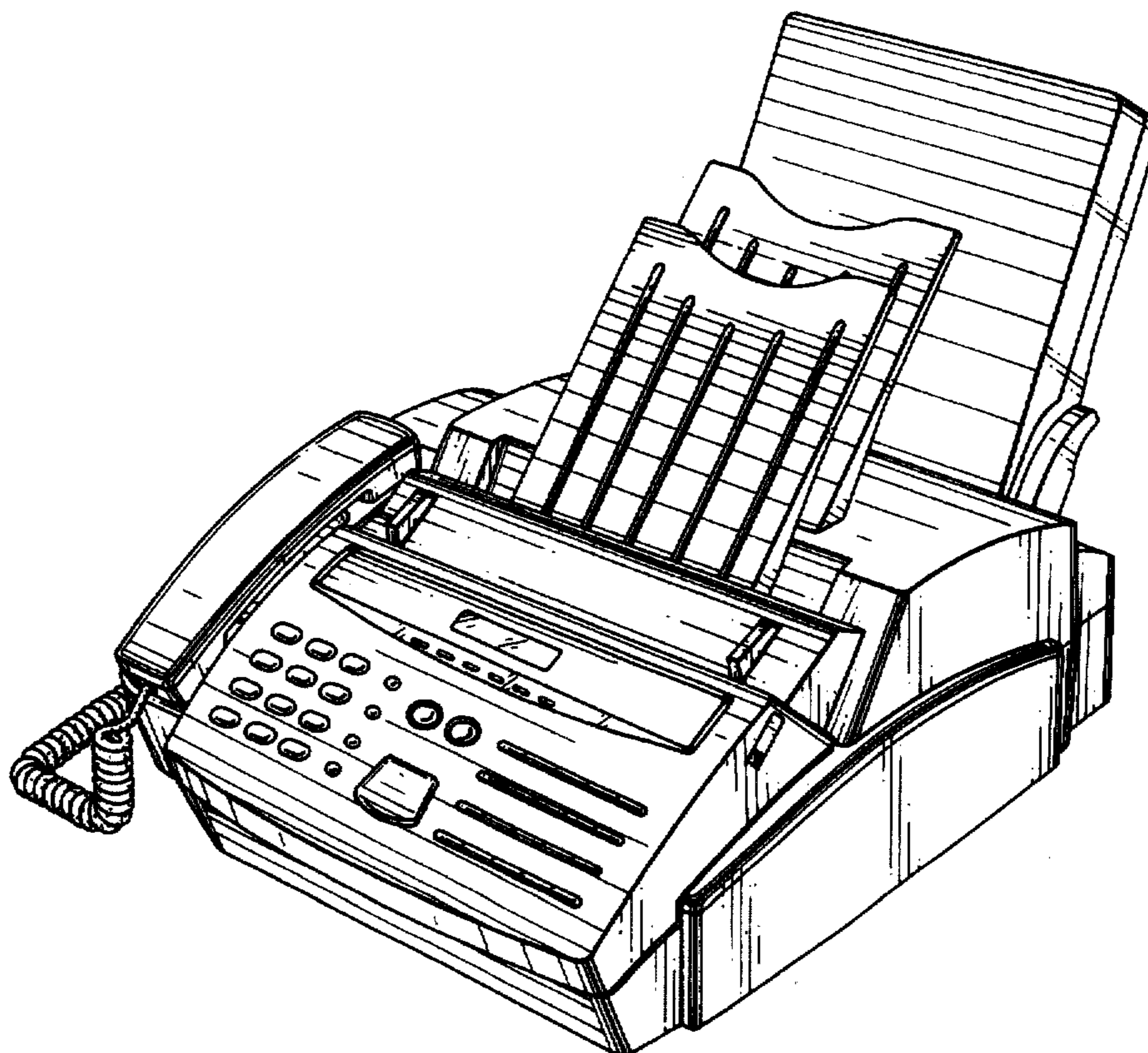
[57] **CLAIM**

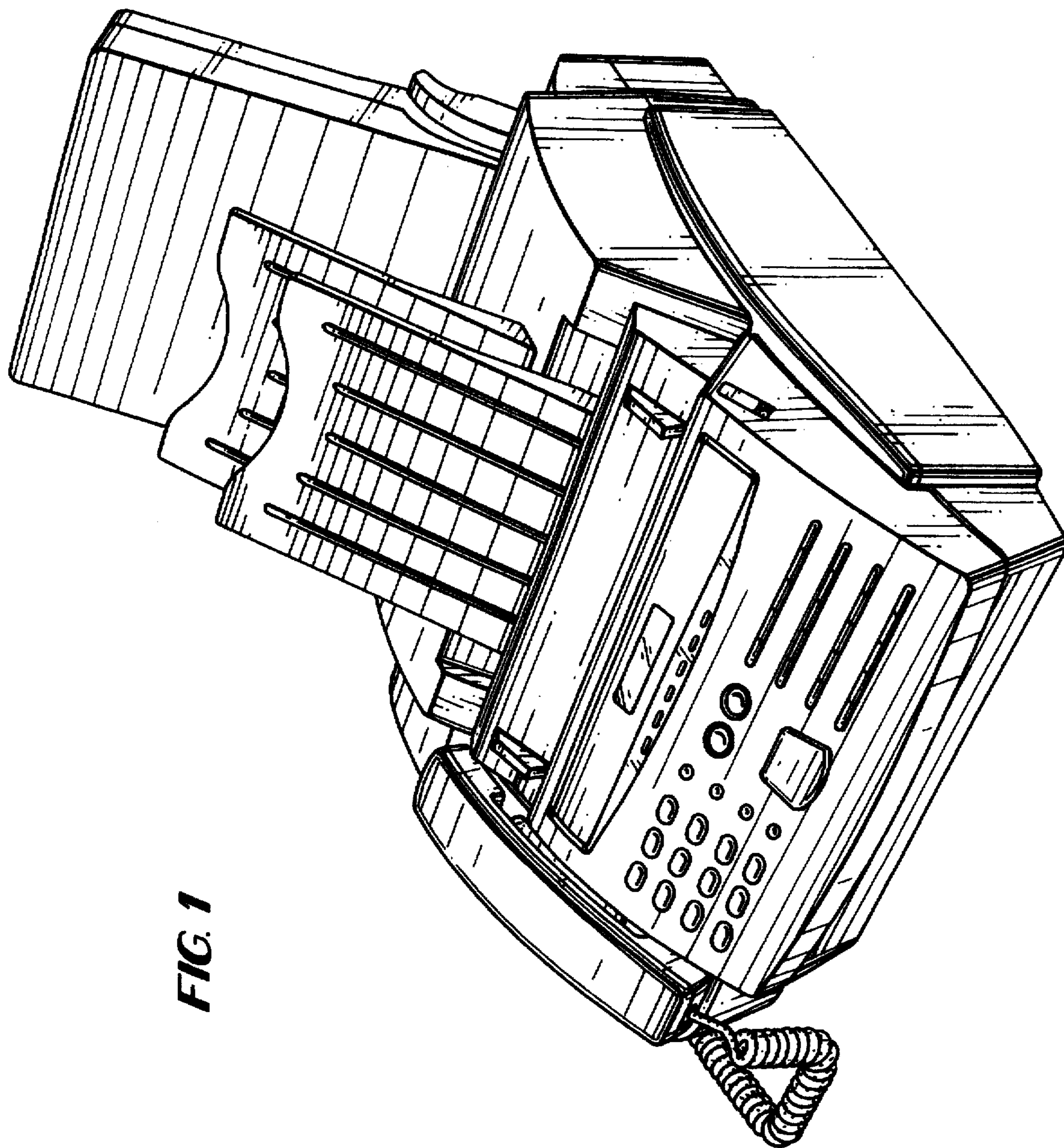
The ornamental design for a facsimile machine, as shown and described.

**DESCRIPTION**

FIG. 1 is a top, front and right side perspective view of a facsimile machine according to my design;  
FIG. 2 is a top plan view thereof;  
FIG. 3 is a front elevational view thereof;  
FIG. 4 is a right side elevational view thereof;  
FIG. 5 is a rear elevational view thereof;  
FIG. 6 is a left side elevational view thereof; and,  
FIG. 7 is a bottom plan view thereof.

**1 Claim, 7 Drawing Sheets**



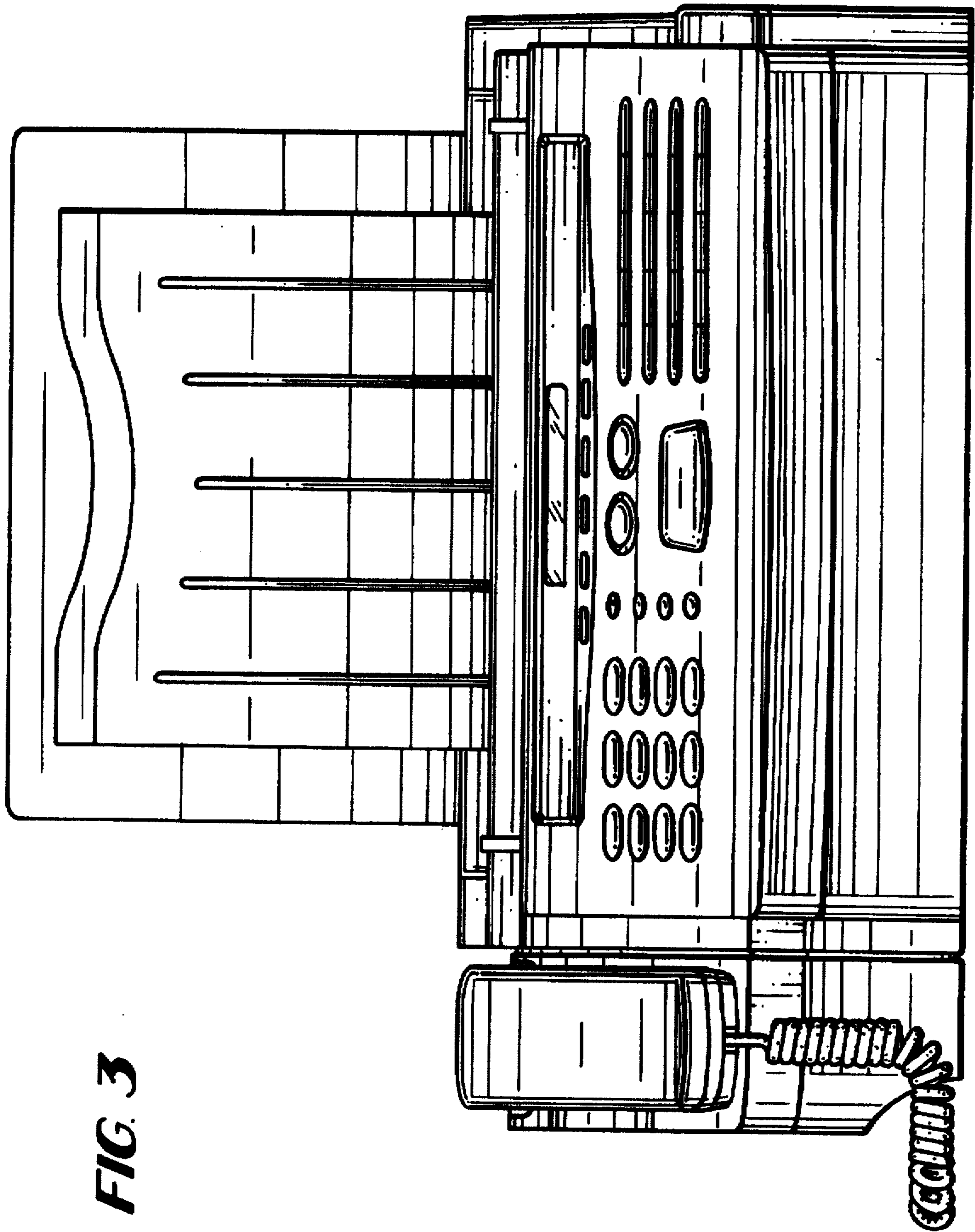


**FIG. 1**

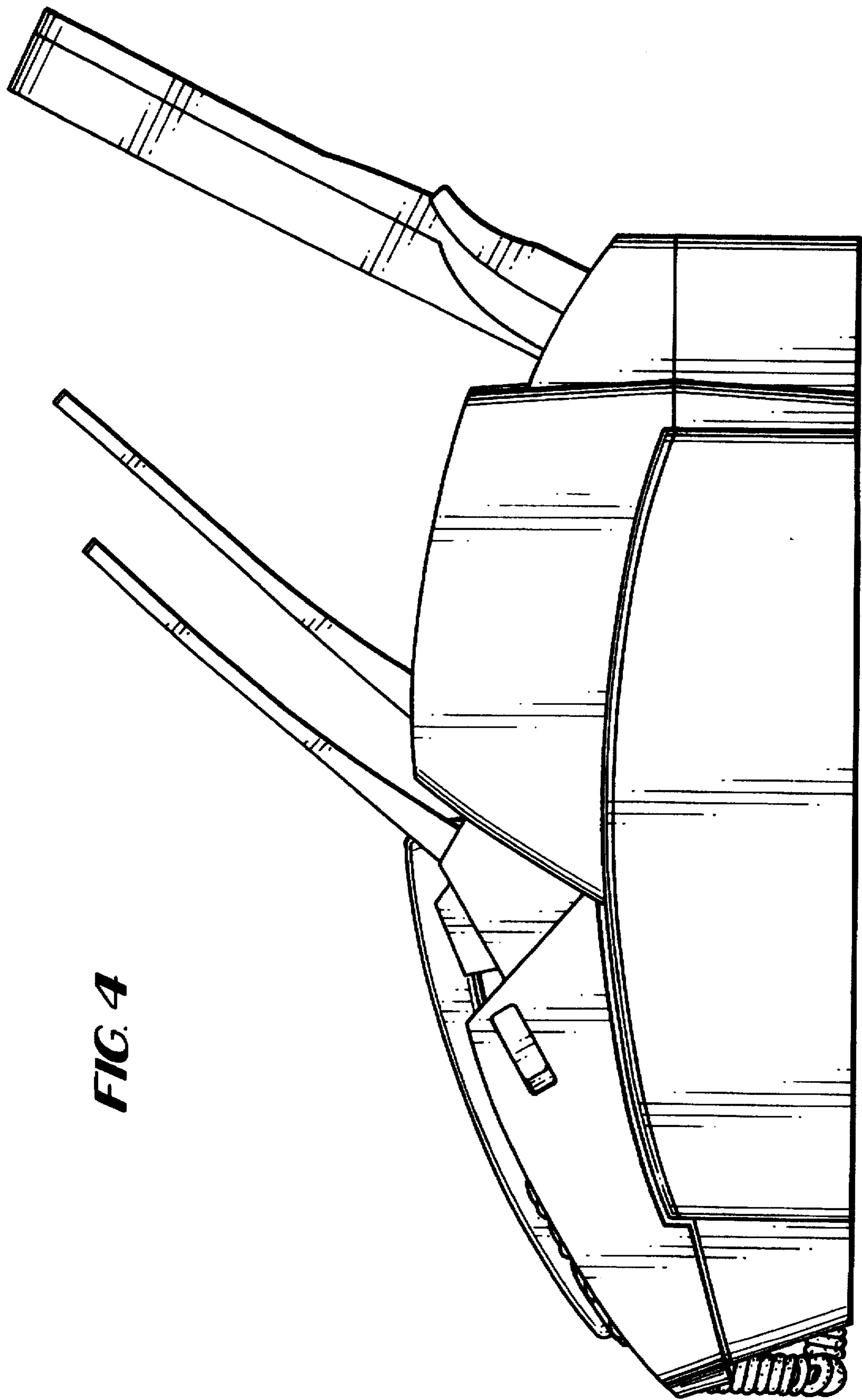


*FIG 2*

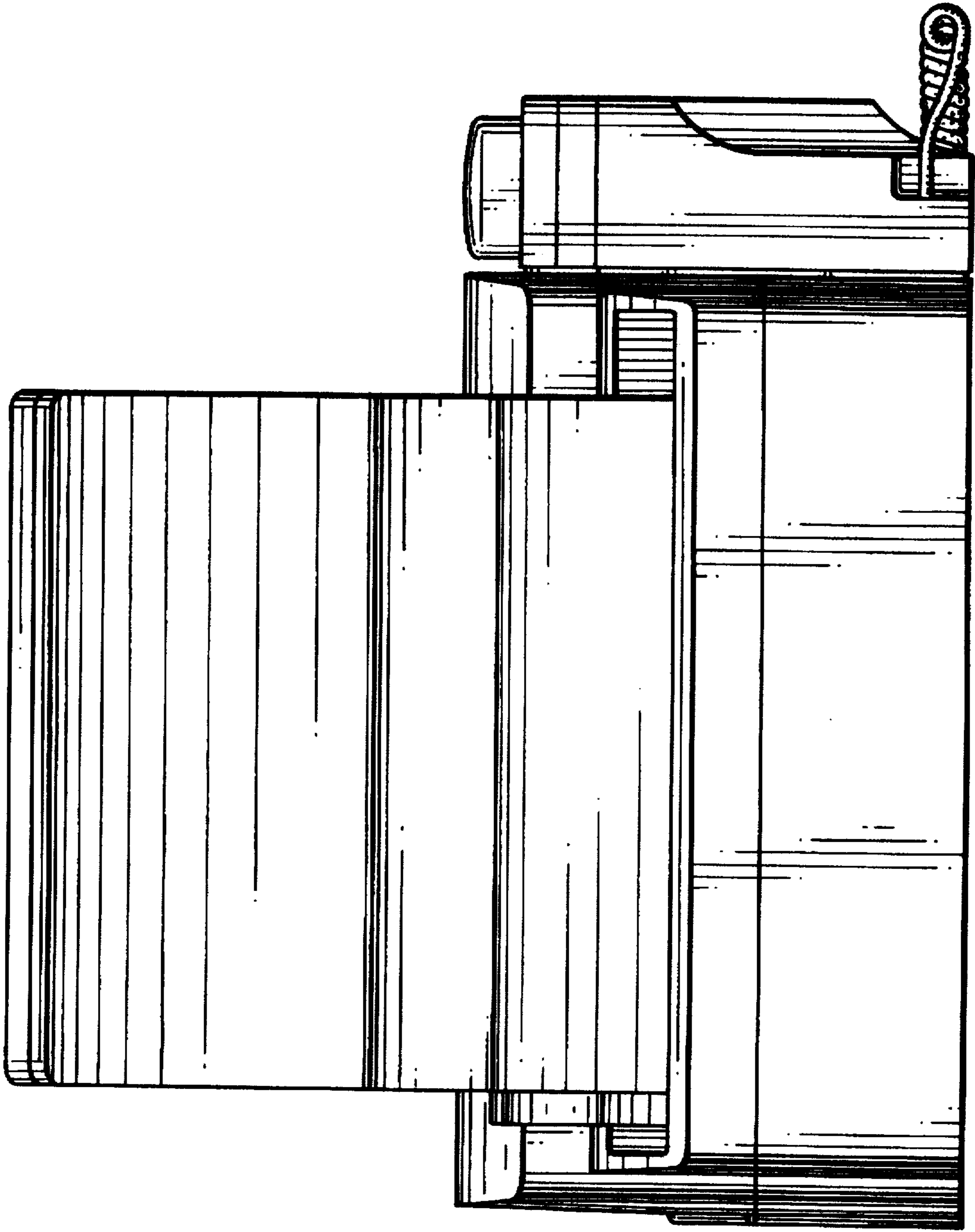




**FIG. 3**

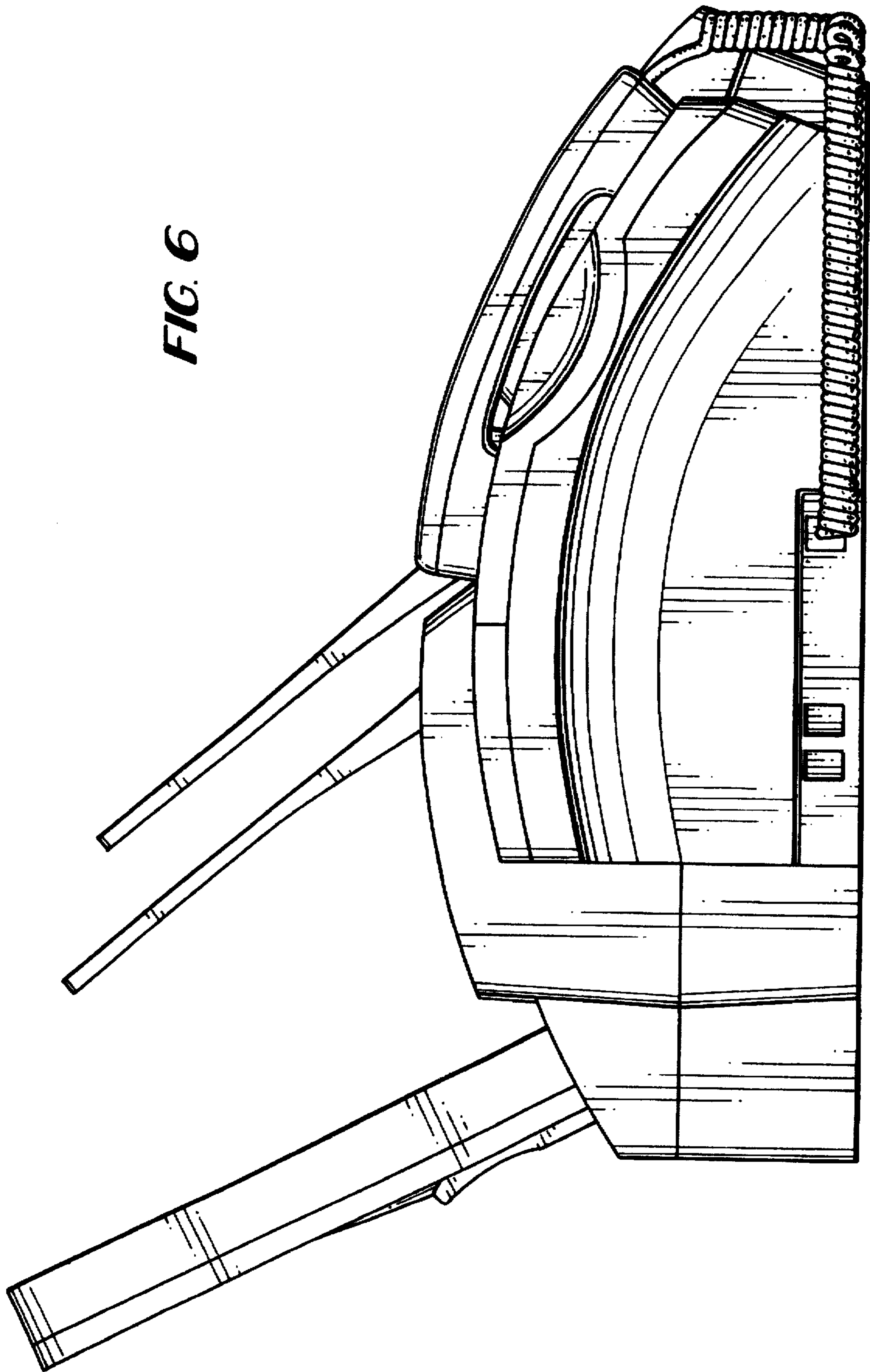


**FIG. 4**



**FIG. 5**

**FIG. 6**





*FIG. 7*

