



US00D385262S

**United States Patent** [19]  
**Hughes**

[11] **Patent Number:** **Des. 385,262**  
[45] **Date of Patent:** **\*\*Oct. 21, 1997**

[54] **FOOT OPERATED TRACK BALL**  
[76] **Inventor:** **William Michael Hughes, 10830 NE.  
135th Pl., Kirkland, Wash. 98034**  
[\*\*] **Term:** **14 Years**  
[21] **Appl. No.:** **44,125**  
[22] **Filed:** **Dec. 12, 1995**  
[51] **LOC (6) Cl.** ..... **14-02**  
[52] **U.S. Cl.** ..... **D14/114**  
[58] **Field of Search** ..... **D14/100, 114;  
D13/158; D21/48; 178/18-9; 200/5 R, 5 A,  
6 R, 6 A; 213/148 B; 273/148 B, 438;  
345/156-67; 74/471 XY**

D. 365,342 12/1995 Evenson et al. .... D14/114  
D. 365,610 12/1995 Fraser ..... D21/191  
D. 366,037 1/1996 Kawauchi et al. .... D14/114  
1,115,432 10/1914 Hubbell ..... 248/118

*Primary Examiner*—M. H. Tung

[57] **CLAIM**

The ornamental design for a foot operated track ball, as shown and described.

**DESCRIPTION**

FIG. 1 is a top plan view of the foot operated track ball; FIG. 2 is a bottom plan view thereof; FIG. 3 is a front side plan view thereof; FIG. 4 is a rear side plan view thereof; FIG. 5 is a left side plan view thereof; FIG. 6 is a right side plan view thereof; and, FIG. 7 is a front perspective view thereof.

[56] **References Cited**  
**U.S. PATENT DOCUMENTS**

D. 342,298 12/1993 Schnabel, Jr. et al. .... D21/191

**1 Claim, 2 Drawing Sheets**

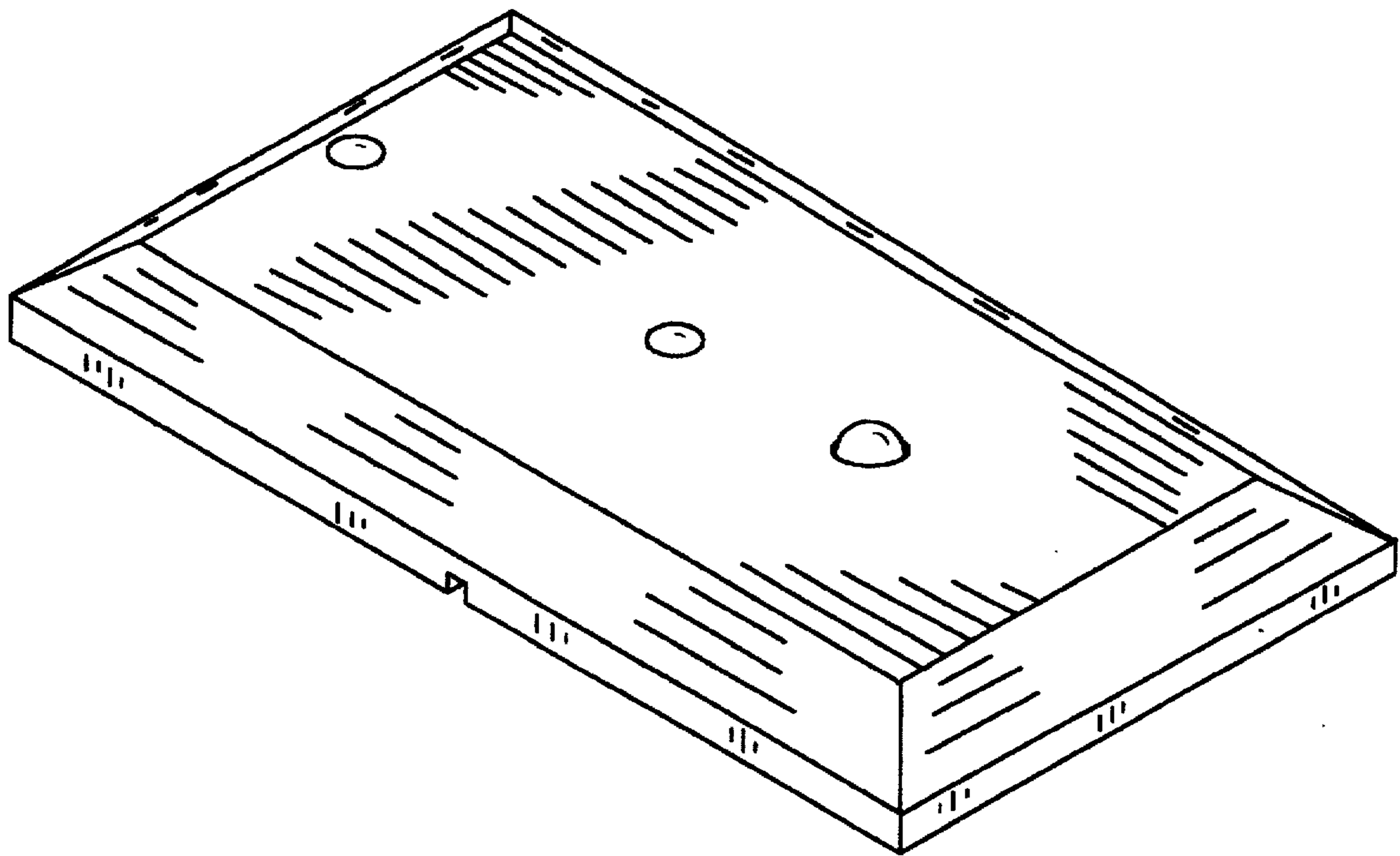


FIG.1

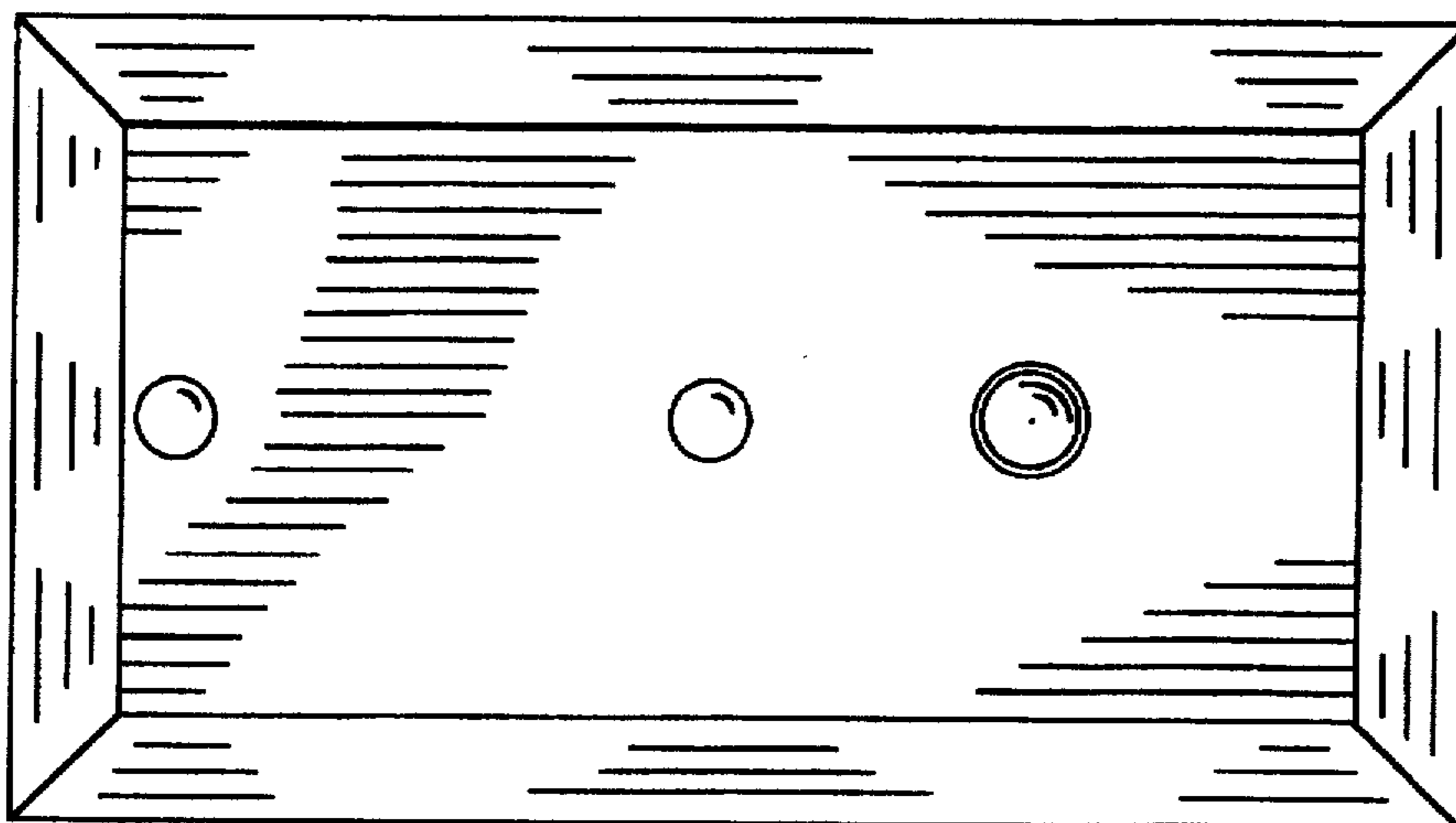


FIG.2

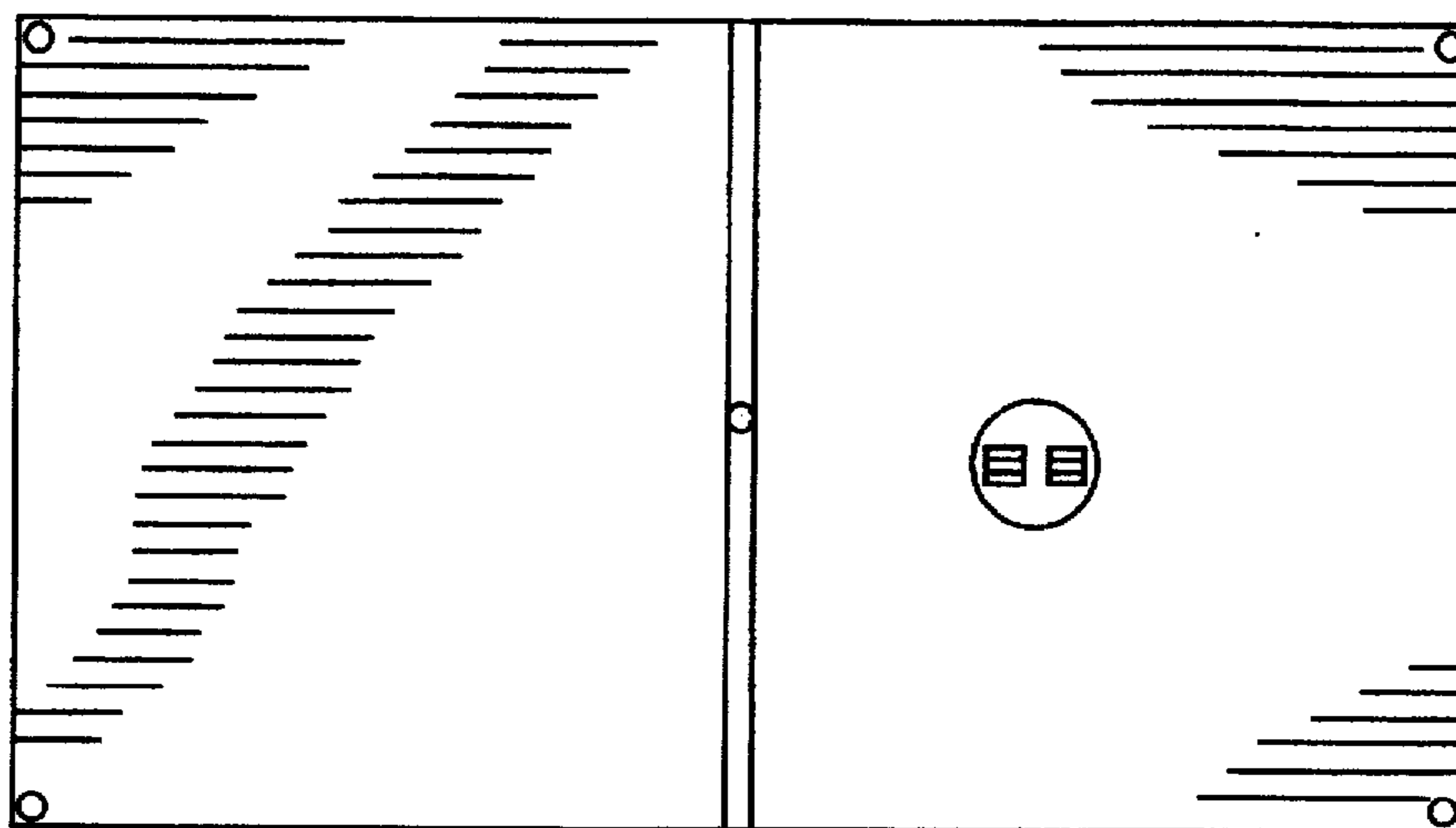


FIG.3



FIG.4

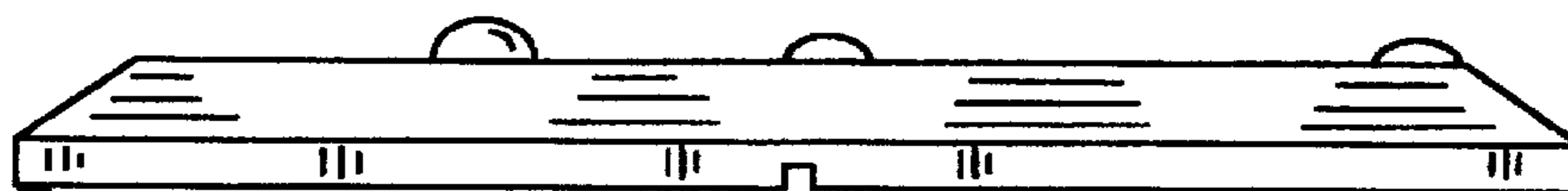


FIG.5



FIG.6



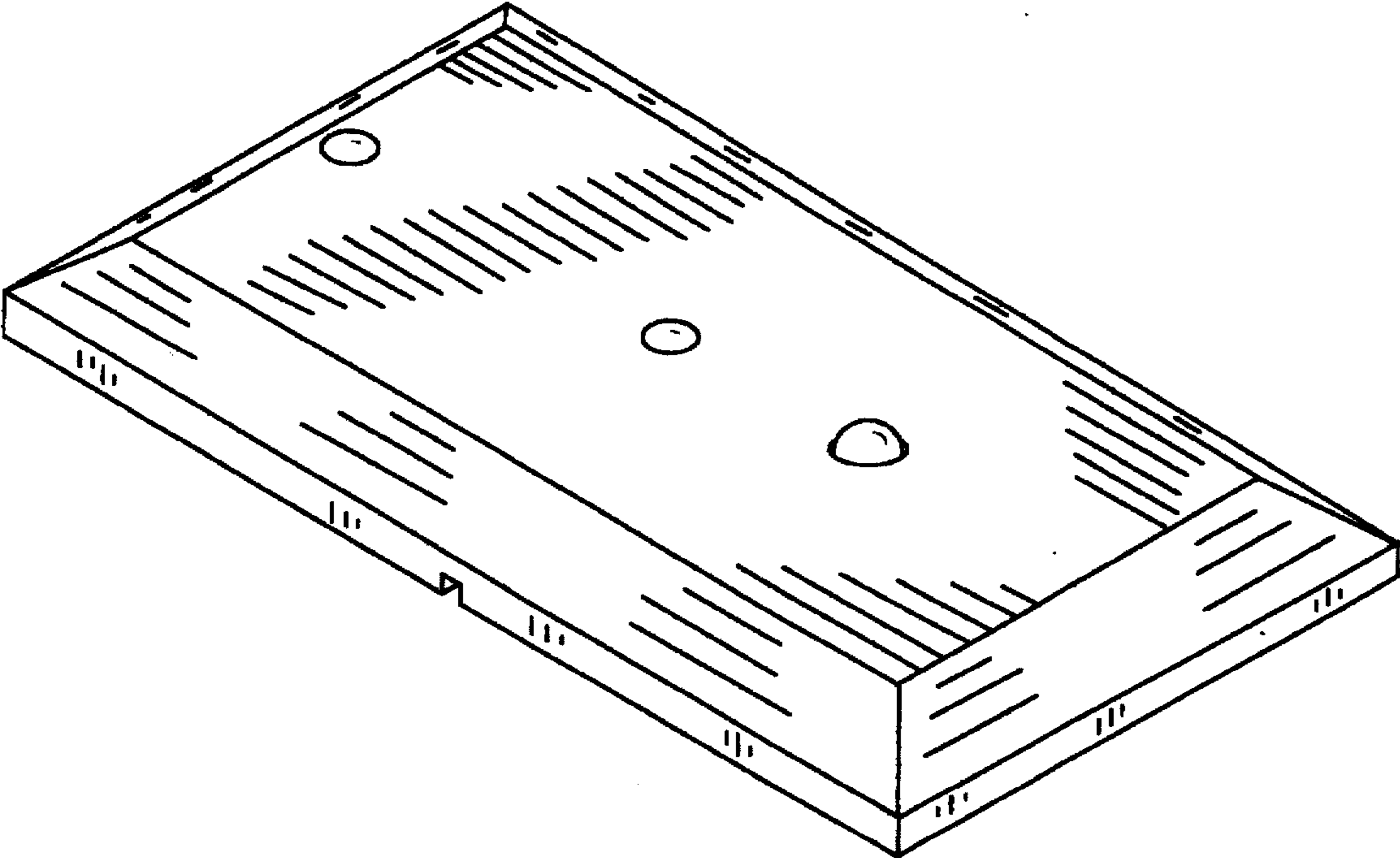


FIG.7