



US00D385260S

United States Patent [19]
Sakata

[11] **Patent Number: Des. 385,260**
[45] **Date of Patent: **Oct. 21, 1997**

[54] **IMAGE INPUTTING DEVICE** 4,963,986 10/1990 Fukuyama et al. D14/107 X

[75] **Inventor: Osamu Sakata, Tokyo, Japan**

Primary Examiner—Freda Nunn
Attorney, Agent, or Firm—Fitzpatrick, Cella, Harper & Scinto

[73] **Assignee: Canon Kabushiki Kaisha, Tokyo, Japan**

[**] **Term: 14 Years**

[57] **CLAIM**

[21] **Appl. No.: 47,678**

The ornamental design for an image inputting device, as shown and described.

[22] **Filed: Dec. 11, 1995**

DESCRIPTION

[30] **Foreign Application Priority Data**

Jun. 12, 1995 [JP] Japan 7-16685

FIG. 1 is a front view of an image inputting device showing my new design;

[51] **LOC (6) Cl. 14-02**

FIG. 2 is a rear view thereof;

[52] **U.S. Cl. D14/107; D16/232**

FIG. 3 is a top plan view thereof;

[58] **Field of Search** D14/100, 105, D14/107, 118; D18/36, 37, 39; D16/208, 214, 223, 232; 250/556; 355/64, 65, 75; 235/454, 462, 470, 380, 382, 382.5, 472, 476, 482, 483; 358/408, 472, 474, 497; D6/202, 232

FIG. 4 is a bottom plan view thereof;

FIG. 5 is a left side view thereof;

FIG. 6 is a right side view thereof; and,

FIG. 7 is a perspective view thereof.

The cord is shown broken away in the views to show an indeterminate length.

[56] **References Cited**

U.S. PATENT DOCUMENTS

D. 317,005 5/1991 Wickrema et al. D14/107

1 Claim, 3 Drawing Sheets

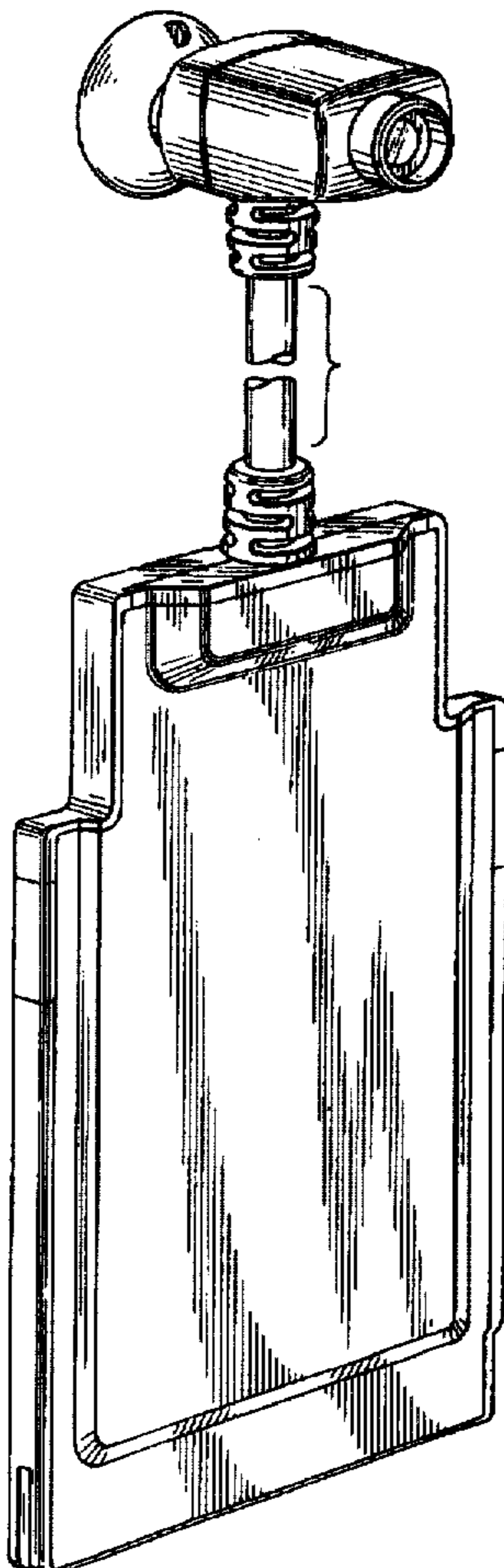


FIG. 1

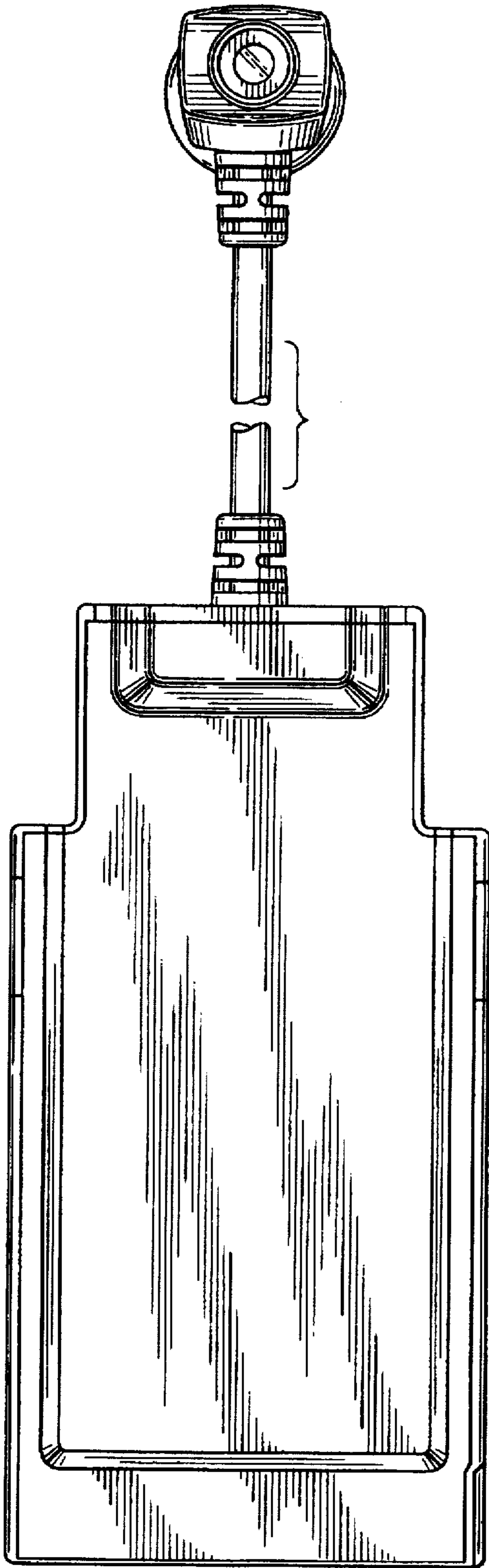


FIG. 2

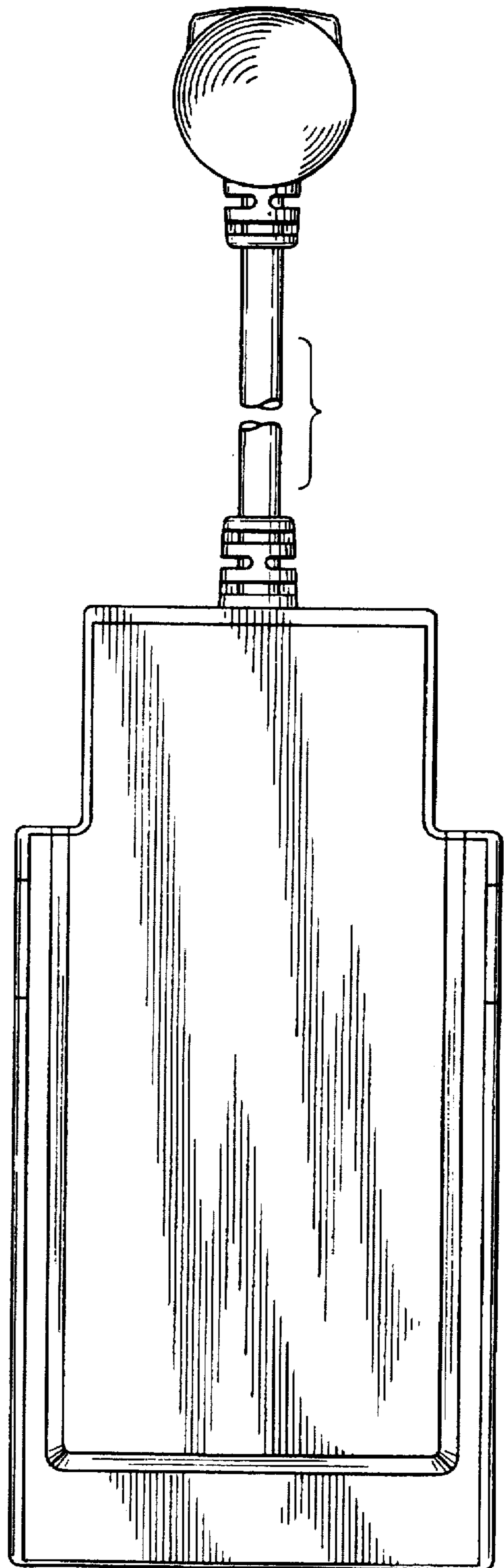


FIG. 3

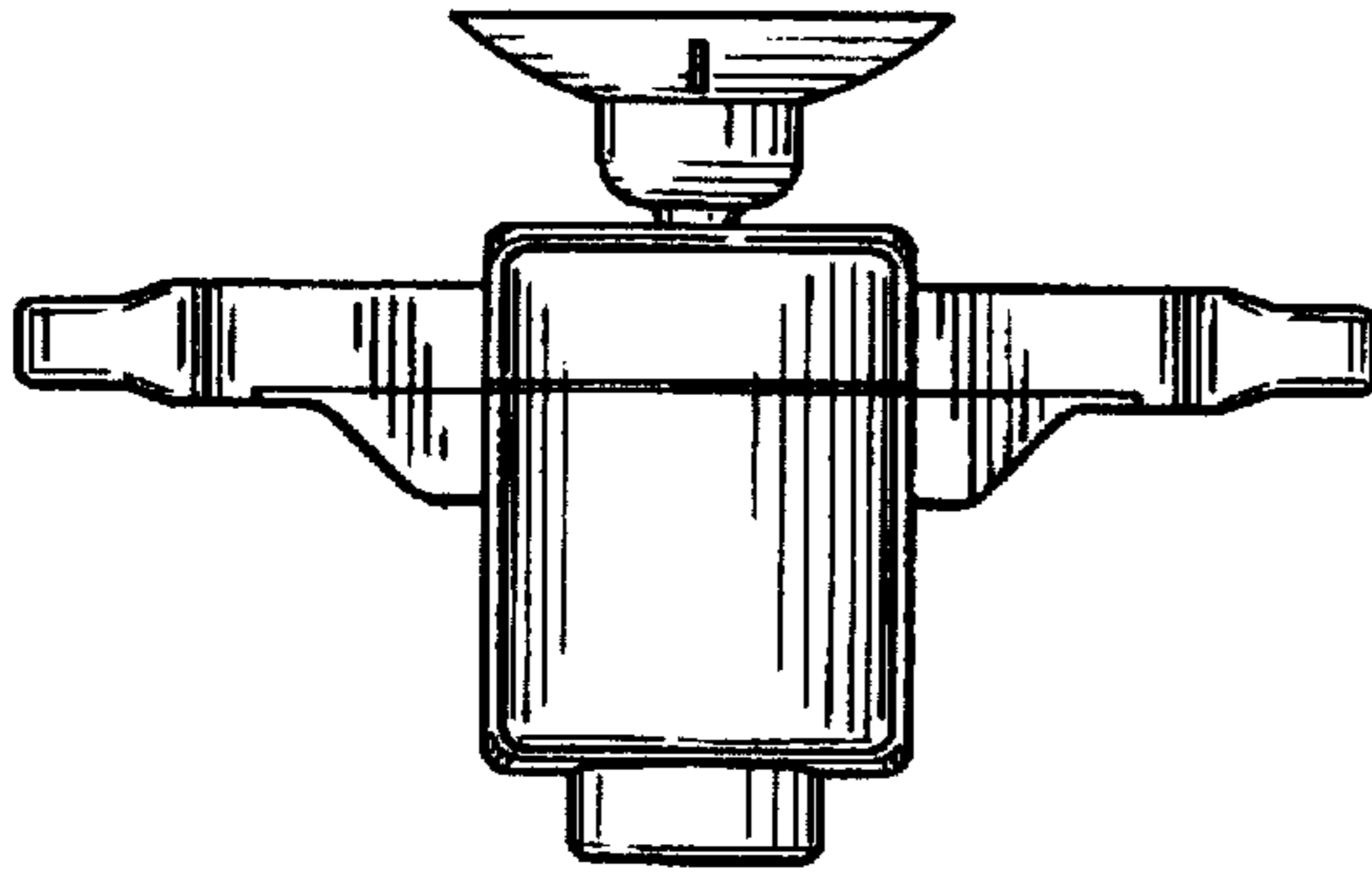


FIG. 4

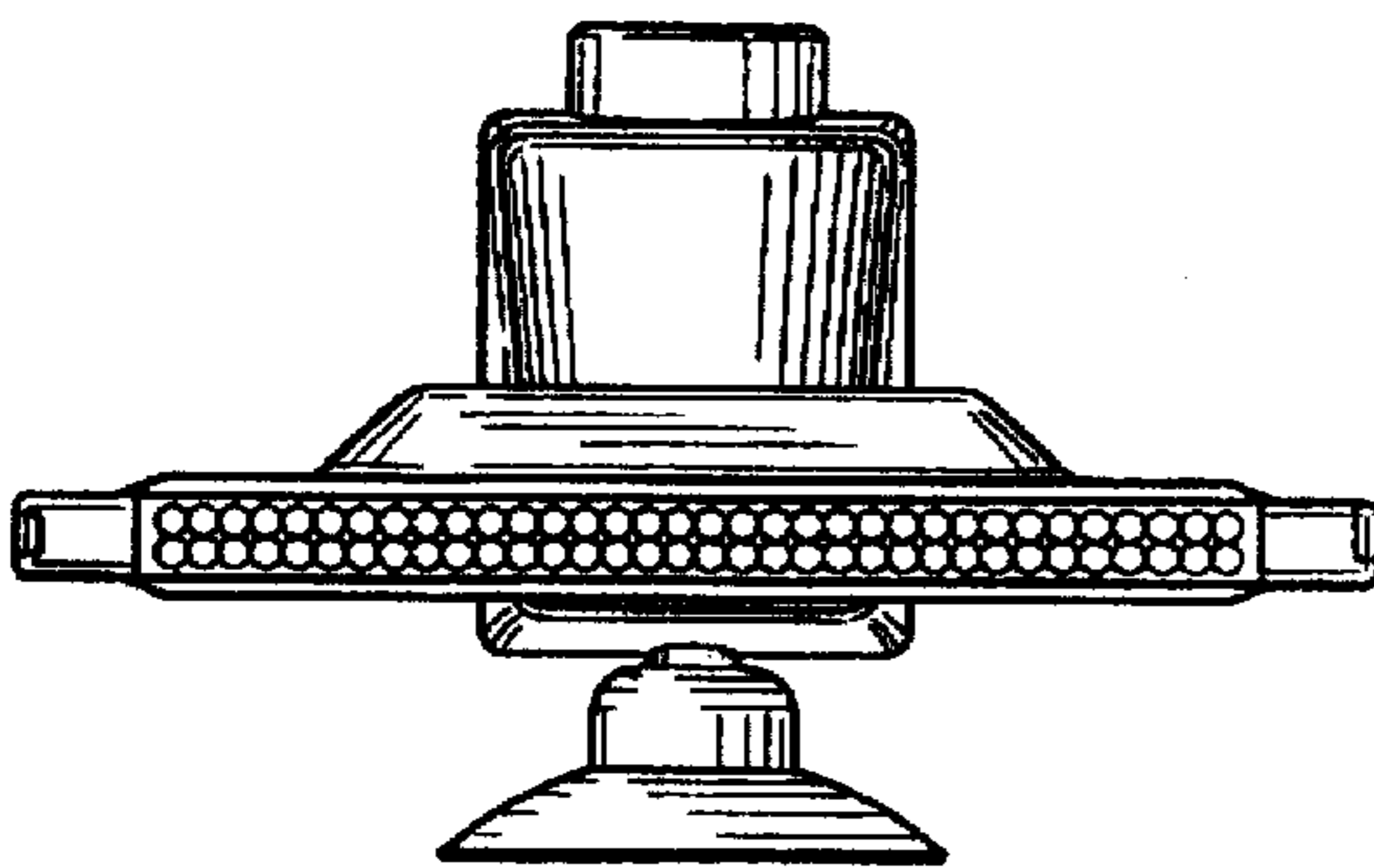


FIG. 5

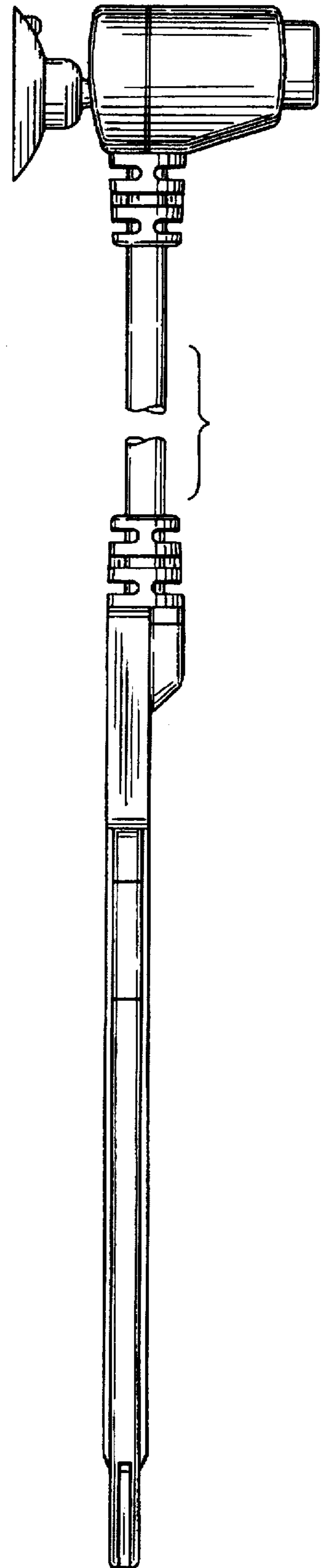


FIG. 6

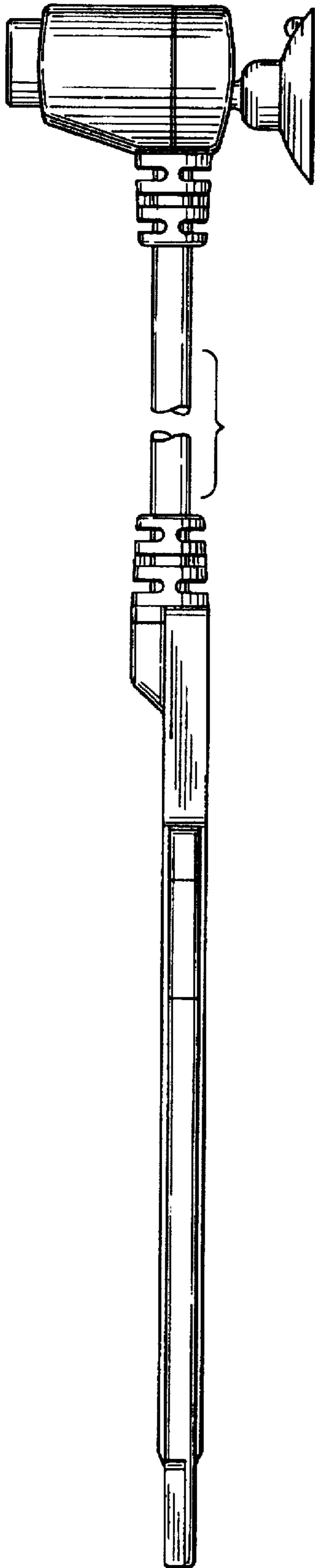


FIG. 7

