



US00D385258S

United States Patent [19]
Littrell

[11] **Patent Number:** **Des. 385,258**
[45] **Date of Patent:** ****Oct. 21, 1997**

[54] **WEIGHTED HAND-CONTROLLER FOR
REMOTE CONTROL OF EXERCISE
APPARATUS**

D. 331,719 12/1992 Ackerman et al. D10/106 X
4,351,526 9/1982 Schwartz .
4,627,618 12/1986 Schwartz .
5,033,740 7/1991 Schwartz et al. .
5,139,261 8/1992 Openiano .

[75] **Inventor:** **David J. Littrell**, Lynnwood, Wash.

[73] **Assignee:** **Precor Incorporated**, Bothell, Wash.

[**] **Term:** **14 Years**

Primary Examiner—James Gandy
Assistant Examiner—Cathron B. Matta
Attorney, Agent, or Firm—Christensen O'Connor Johnson
& Kindness PLLC

[21] **Appl. No.:** **54,760**

[57] **CLAIM**

[22] **Filed:** **May 21, 1996**

The ornamental design for a weighted hand-controller for remote control of exercise apparatus, as shown and described.

[51] **LOC (6) Cl.** **13-03**

[52] **U.S. Cl.** **D13/168; D21/197**

[58] **Field of Search** **D13/168; D14/137,**
D14/155, 159, 191, 192, 217, 218; D10/104,
106; D21/111, 141.1, 196-198; 340/825.69,
825.72; 341/176; 348/734; 455/89, 90,
95, 151.1-151.4, 352-355

DESCRIPTION

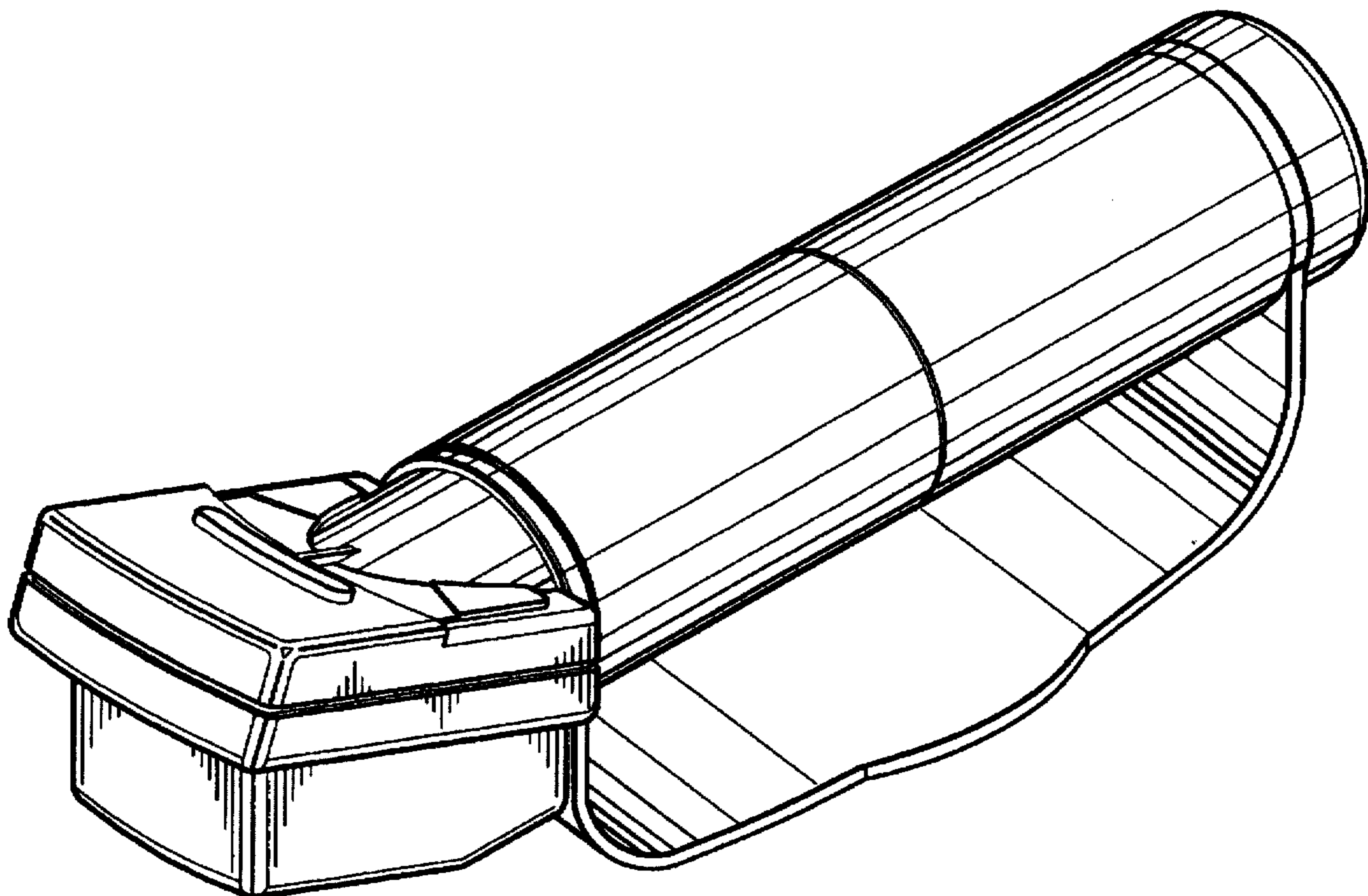
FIG. 1 is a perspective view of the weighted hand-controller for remote control of exercise apparatus;
FIG. 2 is a side view thereof, the opposite side view being a mirror image thereof;
FIG. 3 is a top view thereof;
FIG. 4 is a bottom view thereof;
FIG. 5 is a rear end view thereof; and,
FIG. 6 is a front end view thereof.

[56] **References Cited**

U.S. PATENT DOCUMENTS

D. 252,567 8/1979 Harbage et al. D13/168
D. 280,337 8/1985 Hood D21/198
D. 297,962 10/1988 Wu D21/197

1 Claim, 2 Drawing Sheets



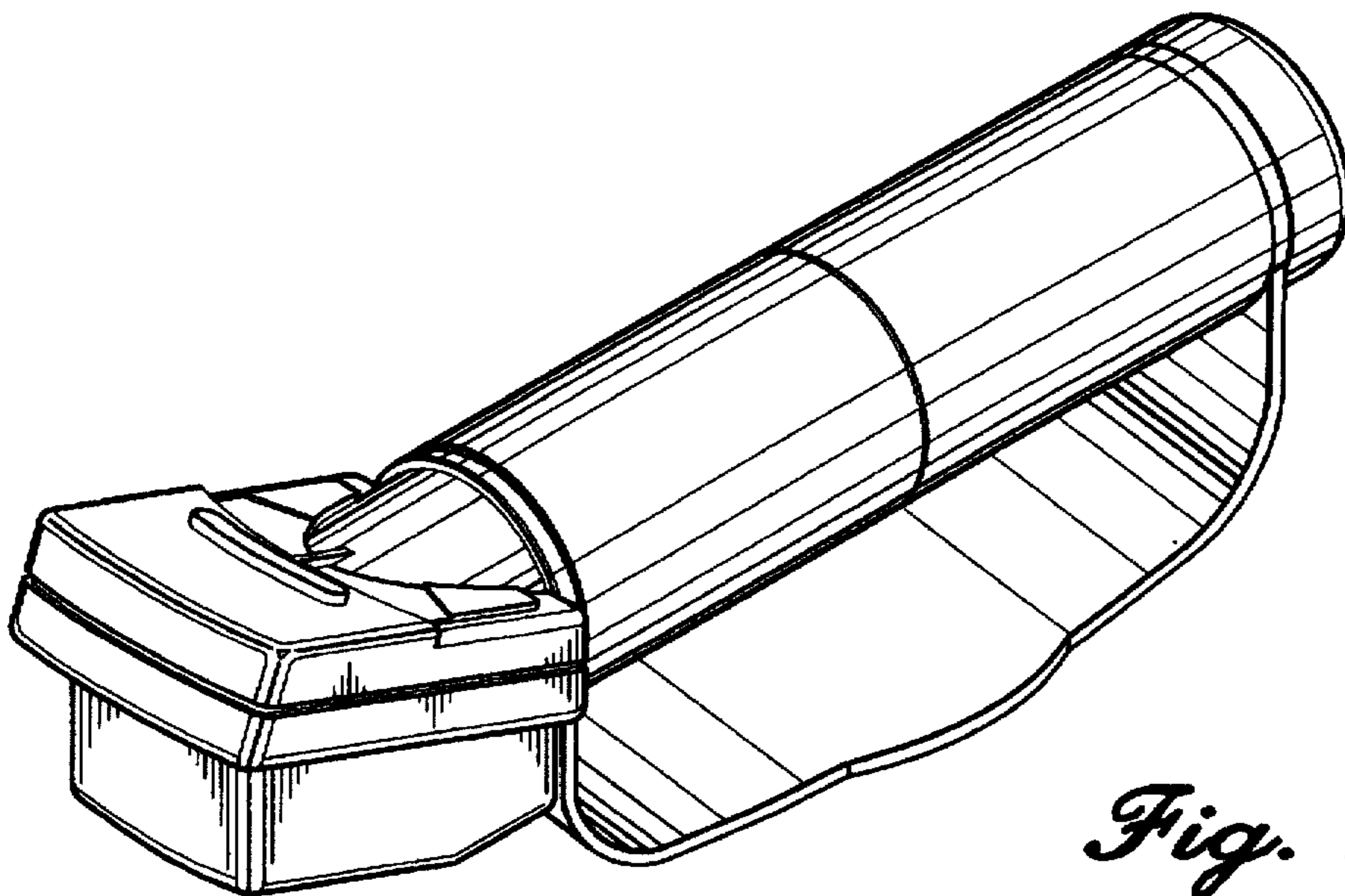


Fig. 1.

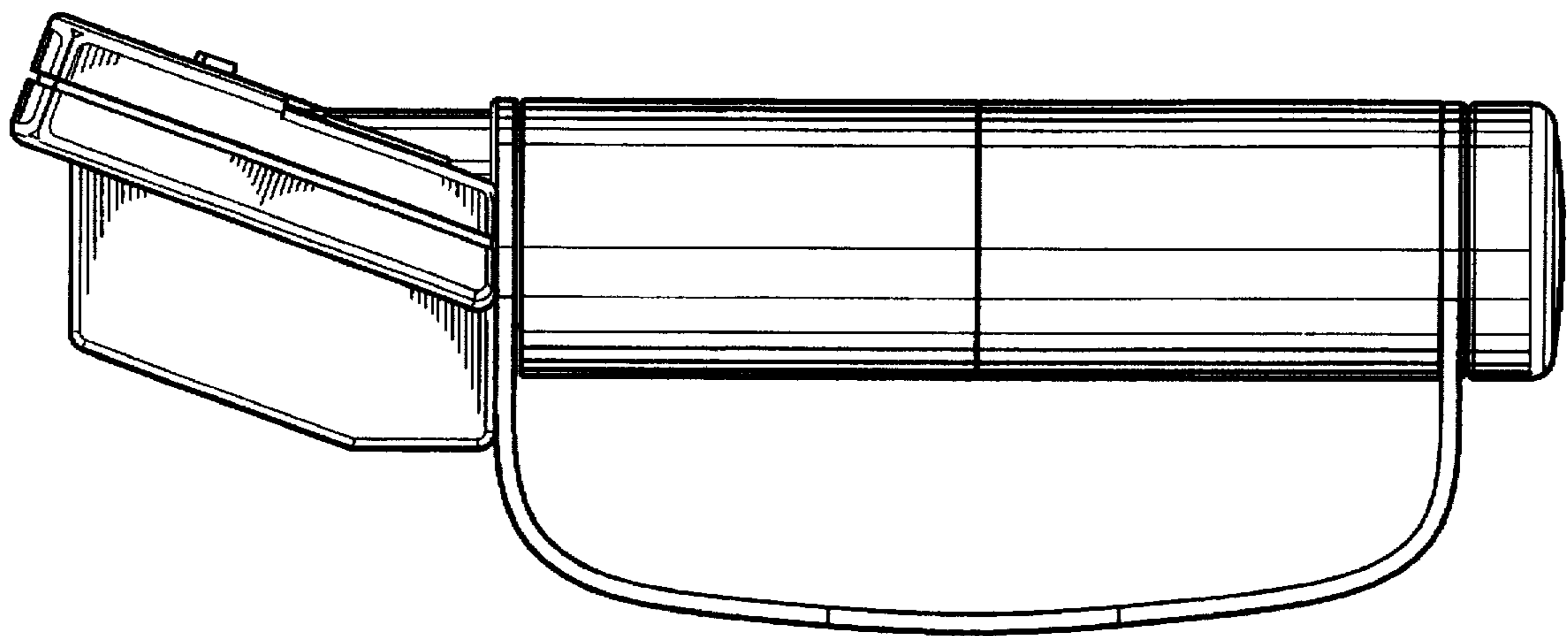


Fig. 2.

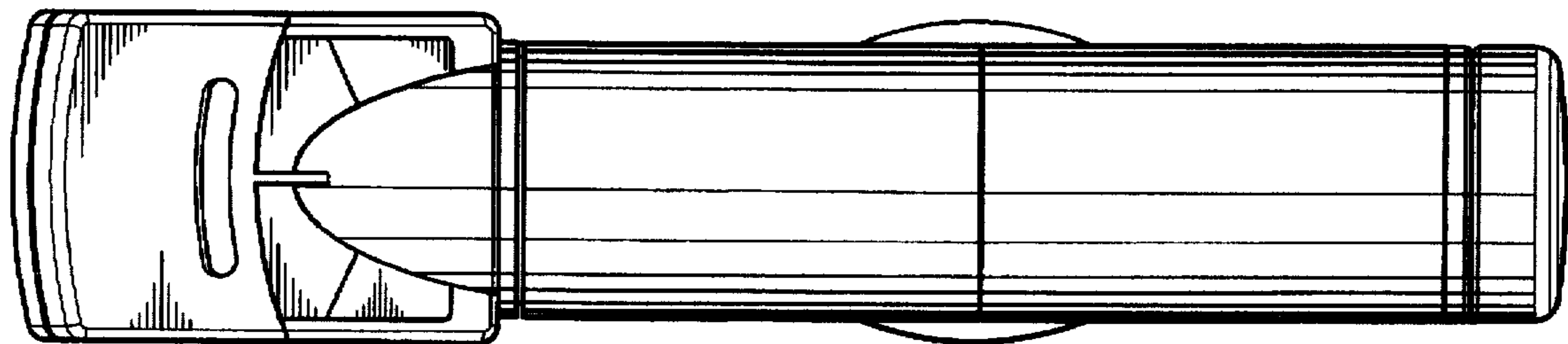


Fig. 3.

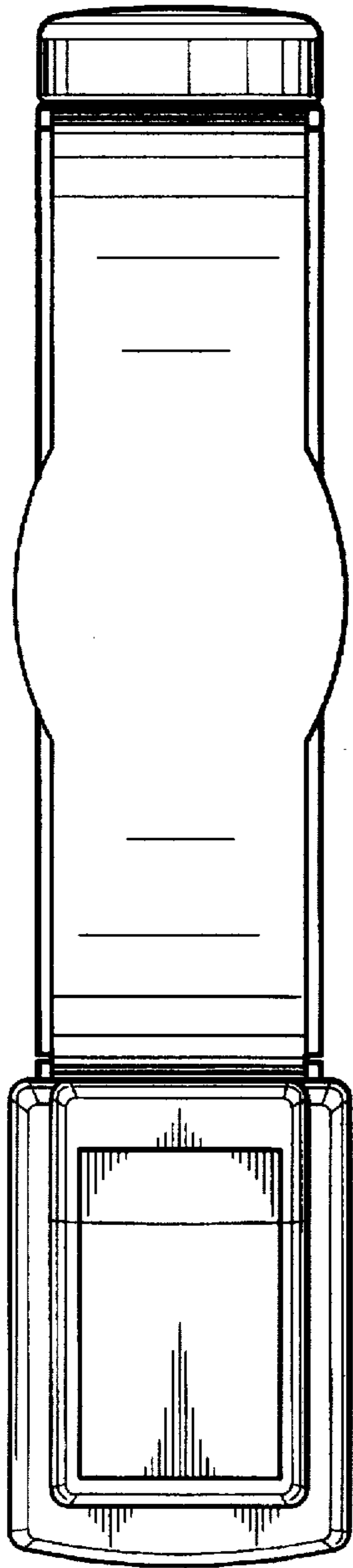


Fig. 4.

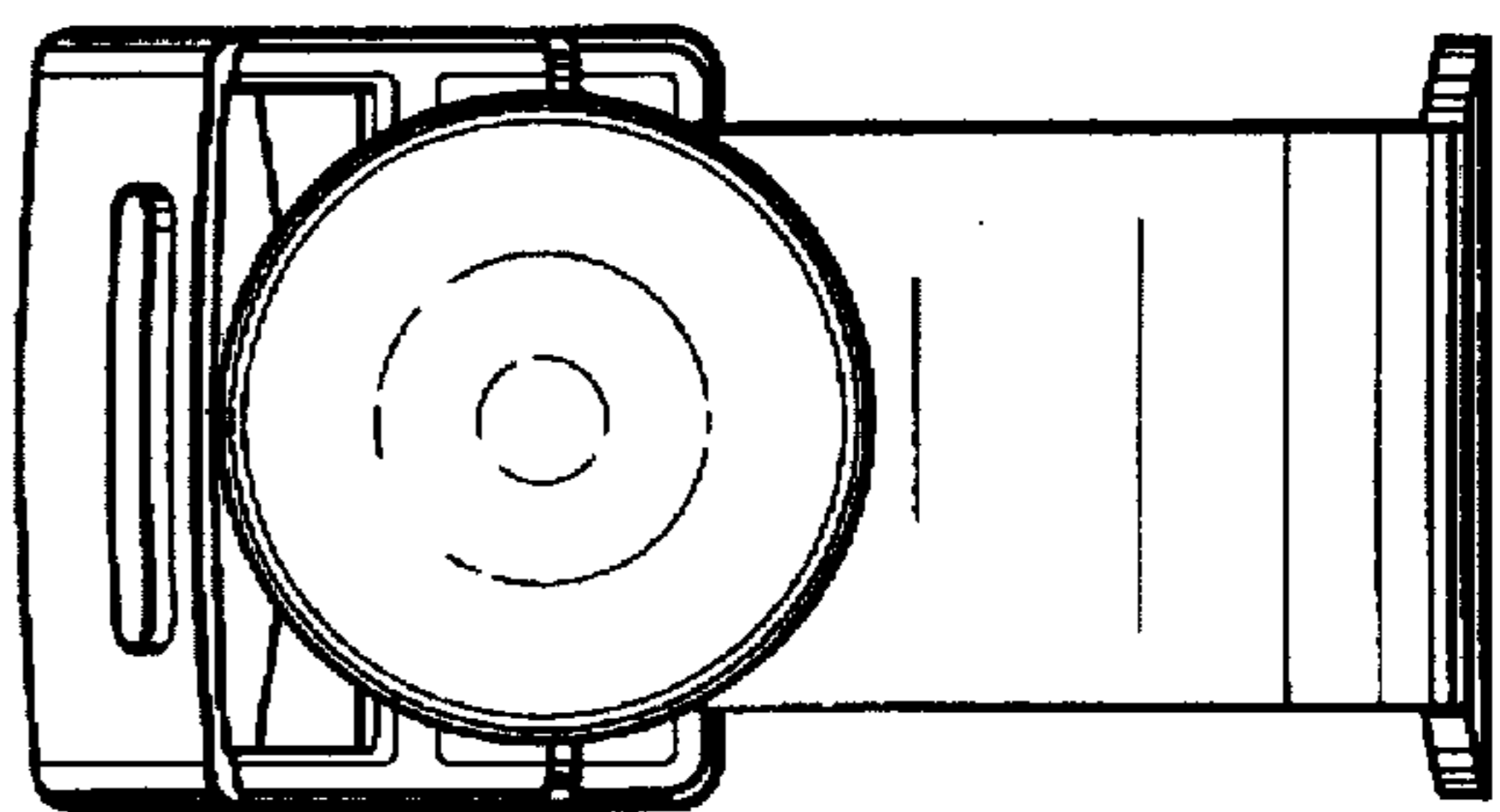


Fig. 5.

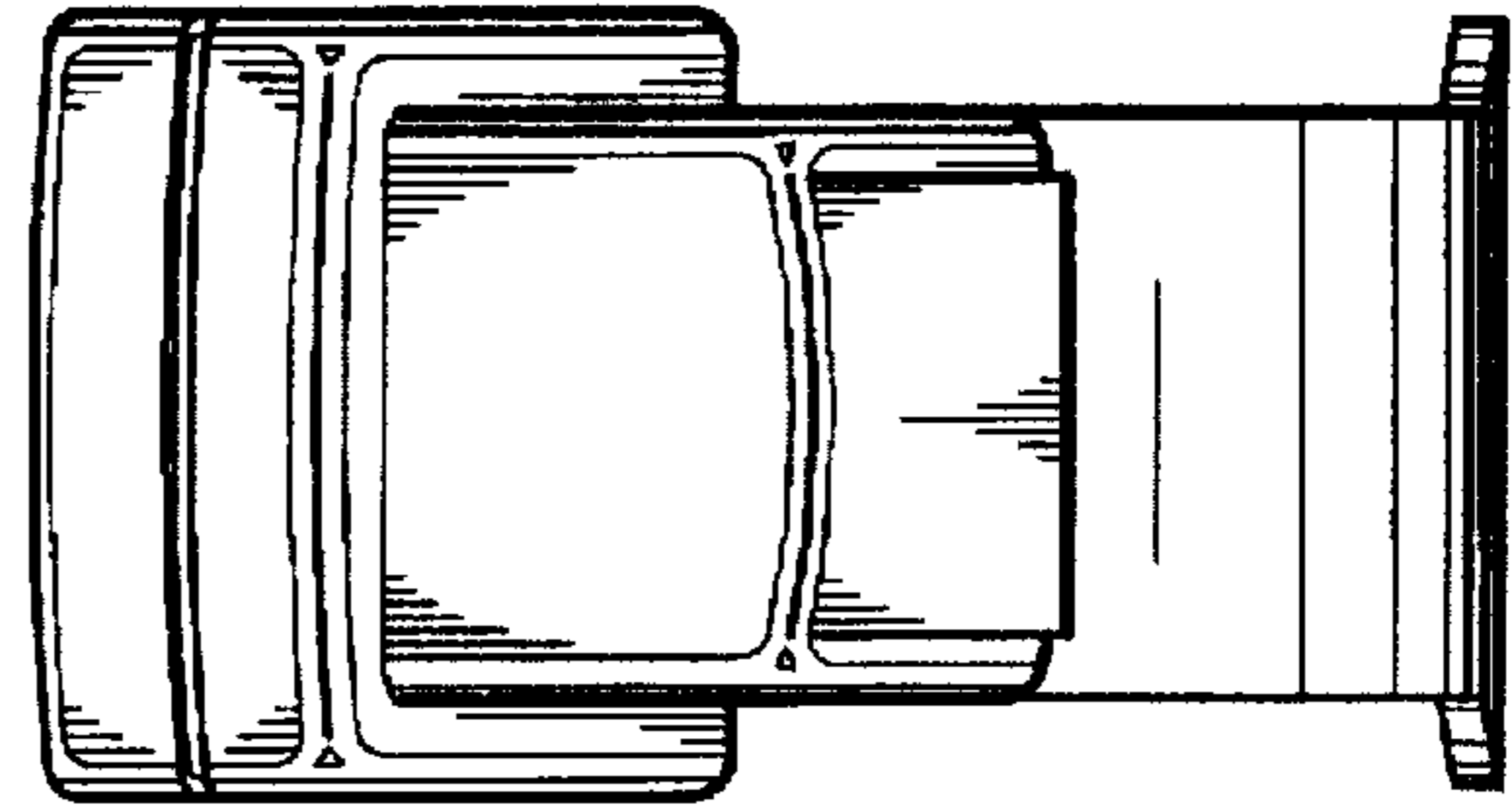


Fig. 6.