



US00D385256S

United States Patent [19]
Nakamura

[11] **Patent Number: Des. 385,256**
[45] **Date of Patent: **Oct. 21, 1997**

[54] **INSULATING COVER FOR A TERMINAL**
[75] **Inventor: Toshinobu Nakamura, Tokyo, Japan**
[73] **Assignee: Shinagawa Shoko Co., Ltd., Tokyo, Japan**
[**] **Term: 14 Years**
[21] **Appl. No.: 40,250**
[22] **Filed: May 9, 1995**
[51] **LOC (6) Cl. 13-03**
[52] **U.S. Cl. D13/156**
[58] **Field of Search D13/156; 174/138 F; 439/687, 696, 731**

[57] **CLAIM**
The ornamental design for insulating cover for a terminal, as shown and described.

DESCRIPTION

FIG. 1 is a perspective view of insulating cover for a terminal embodying the present design;
FIG. 2 is a front elevational view thereof;
FIG. 3 is a top plan view thereof;
FIG. 4 is a bottom plan view thereof;
FIG. 5 is a left side elevational view thereof;
FIG. 6 is a right side elevational view thereof;
FIG. 7 is a perspective view thereof when used; with the fitting portions closed;
FIG. 8 is a front elevational view thereof when used; with the fitting portions closed;
FIG. 9 is a left side elevational view thereof when used; with the fitting portions closed;
FIG. 10 is a right side elevational view thereof when used; with the fitting portions closed;
FIG. 11 is a top plan view thereof when used; with the fitting portions closed; and,
FIG. 12 is a bottom plan view thereof when used; with the fitting portions closed.

[56] **References Cited**
U.S. PATENT DOCUMENTS
4,682,838 7/1987 Achtnig et al. 439/696 X
4,698,459 10/1987 Drake 174/138 F
4,759,723 7/1988 Siemon 439/687 X
4,795,857 1/1989 McInnis 174/138 F
5,001,300 3/1991 Messelhi 439/731 X

Primary Examiner—Joel Sincavage
Attorney, Agent, or Firm—Banner & Allegretti, Ltd.

1 Claim, 4 Drawing Sheets

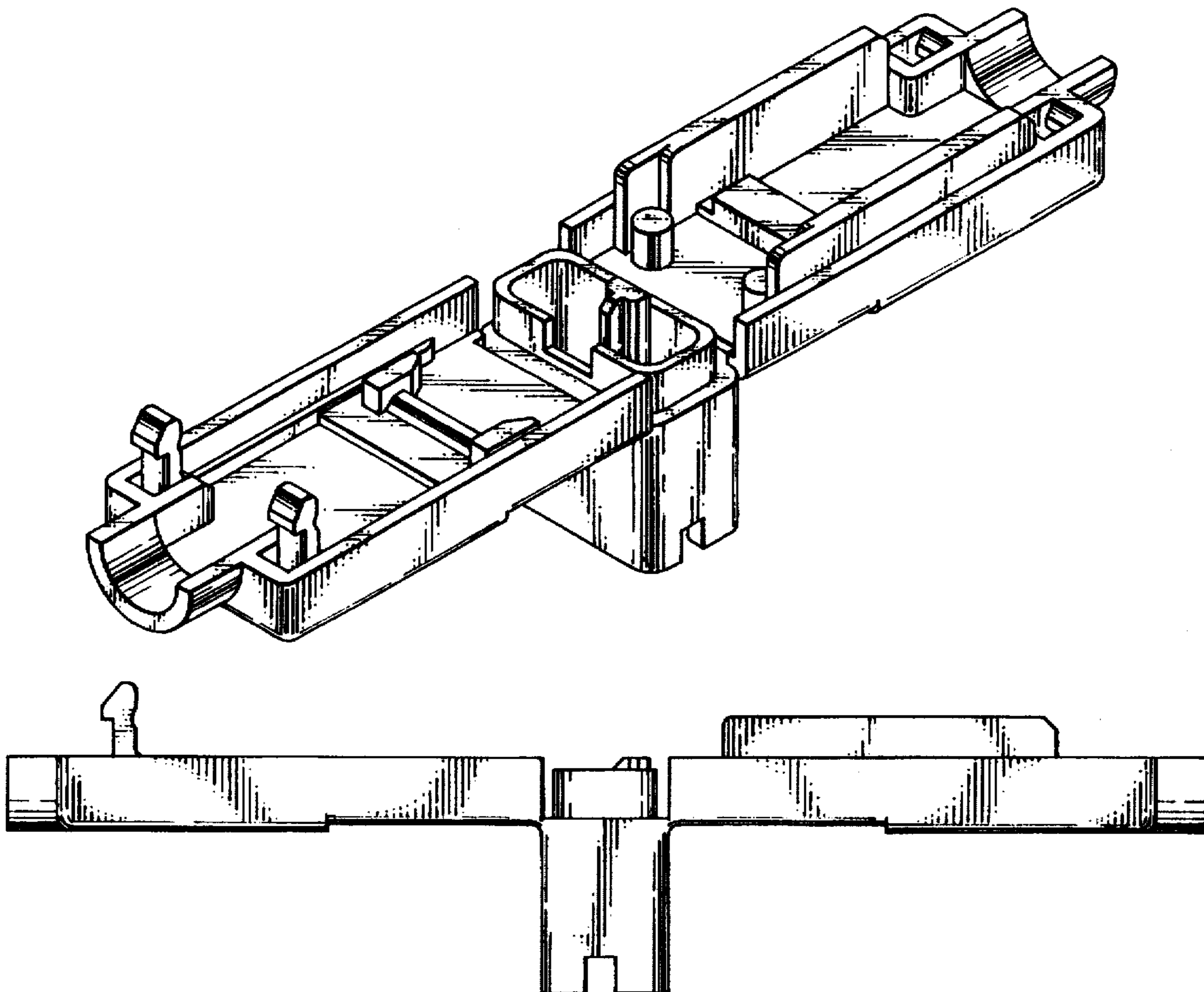


FIG. 1

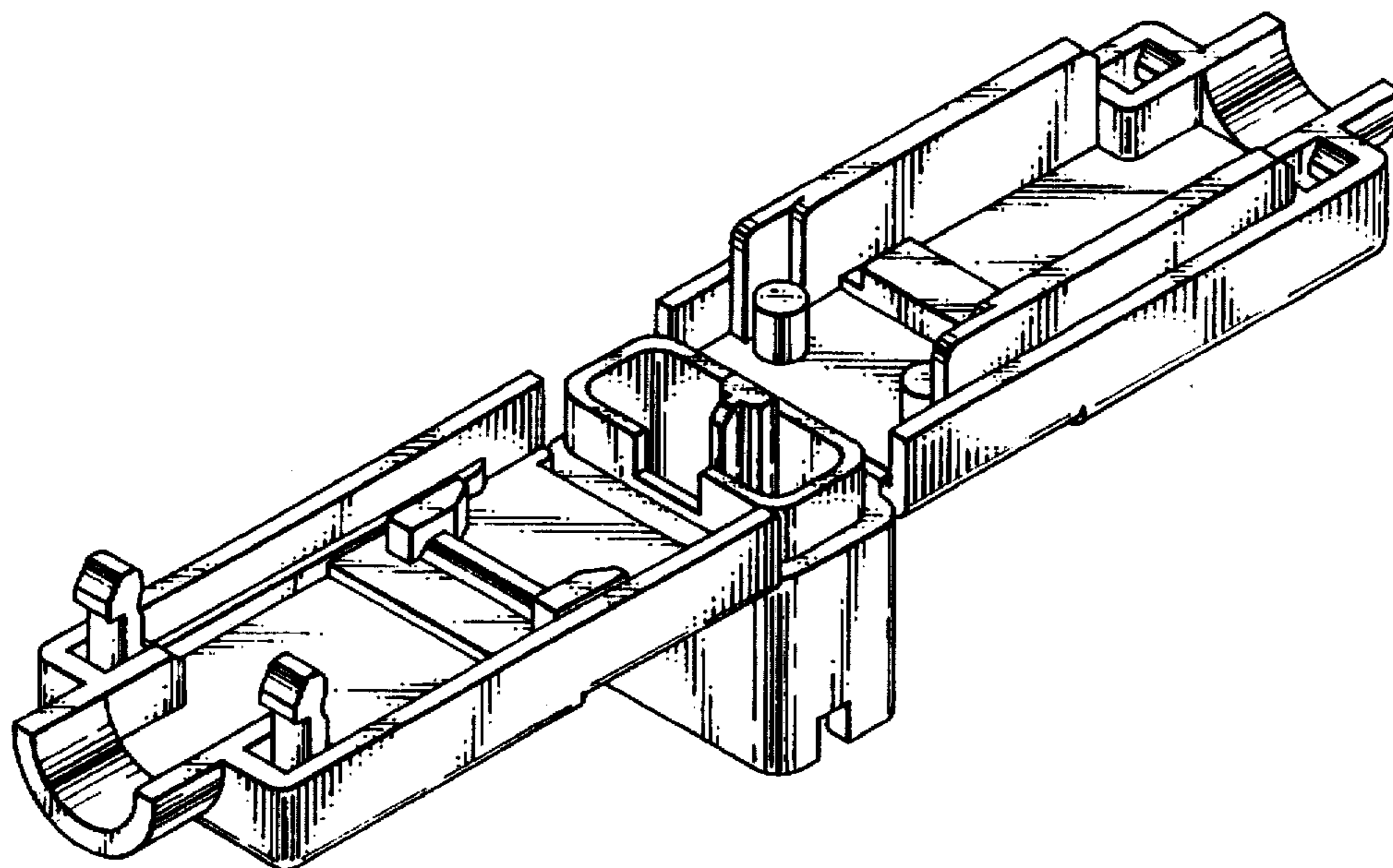


FIG. 2

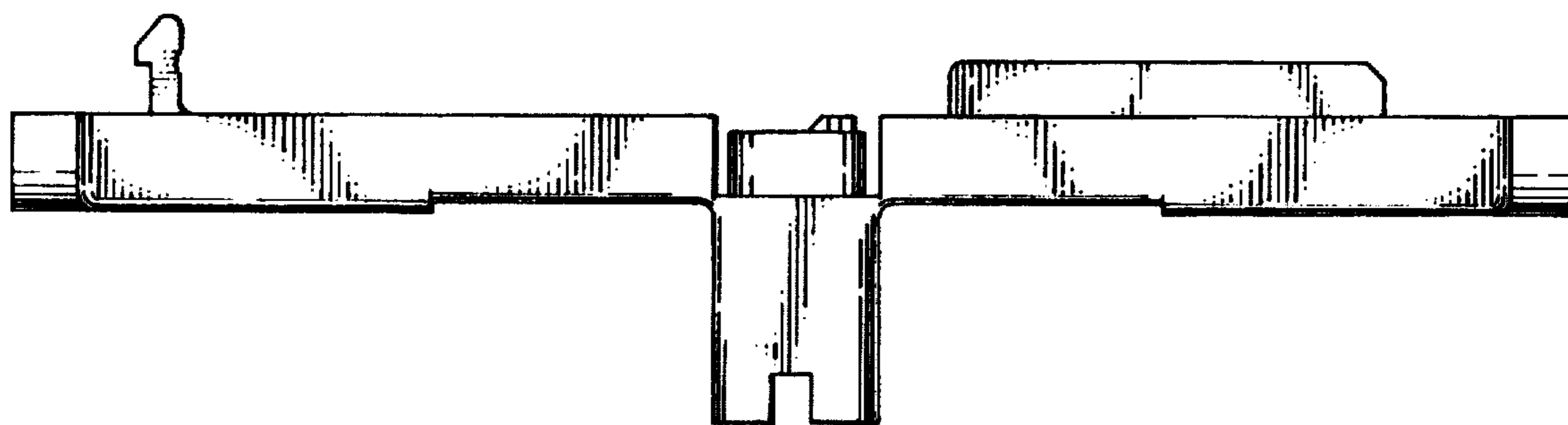


FIG. 3

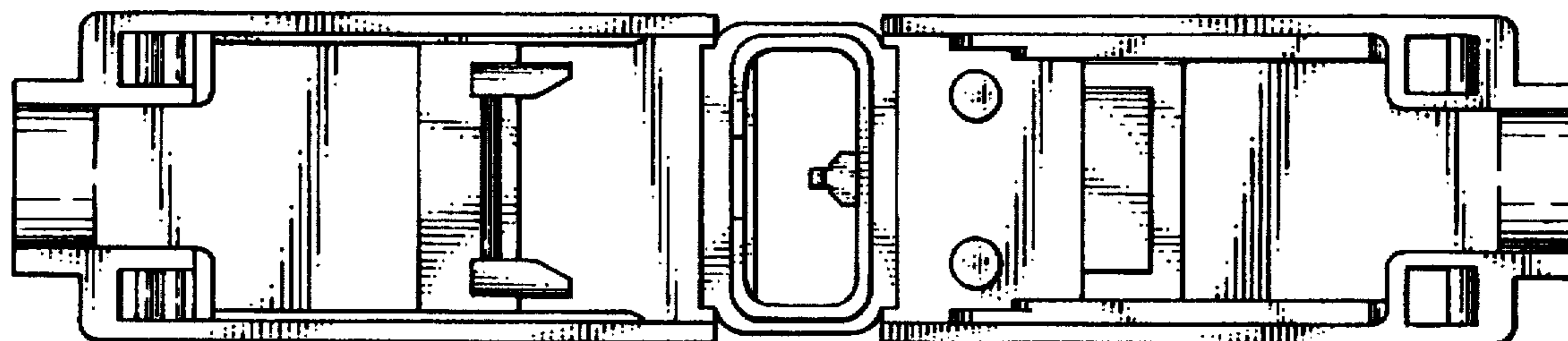


FIG. 4

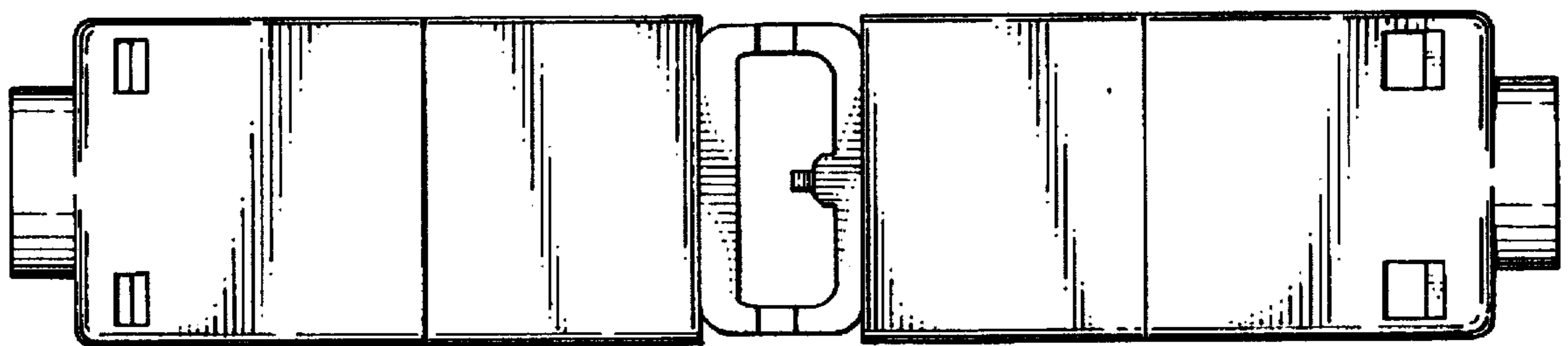


FIG. 5

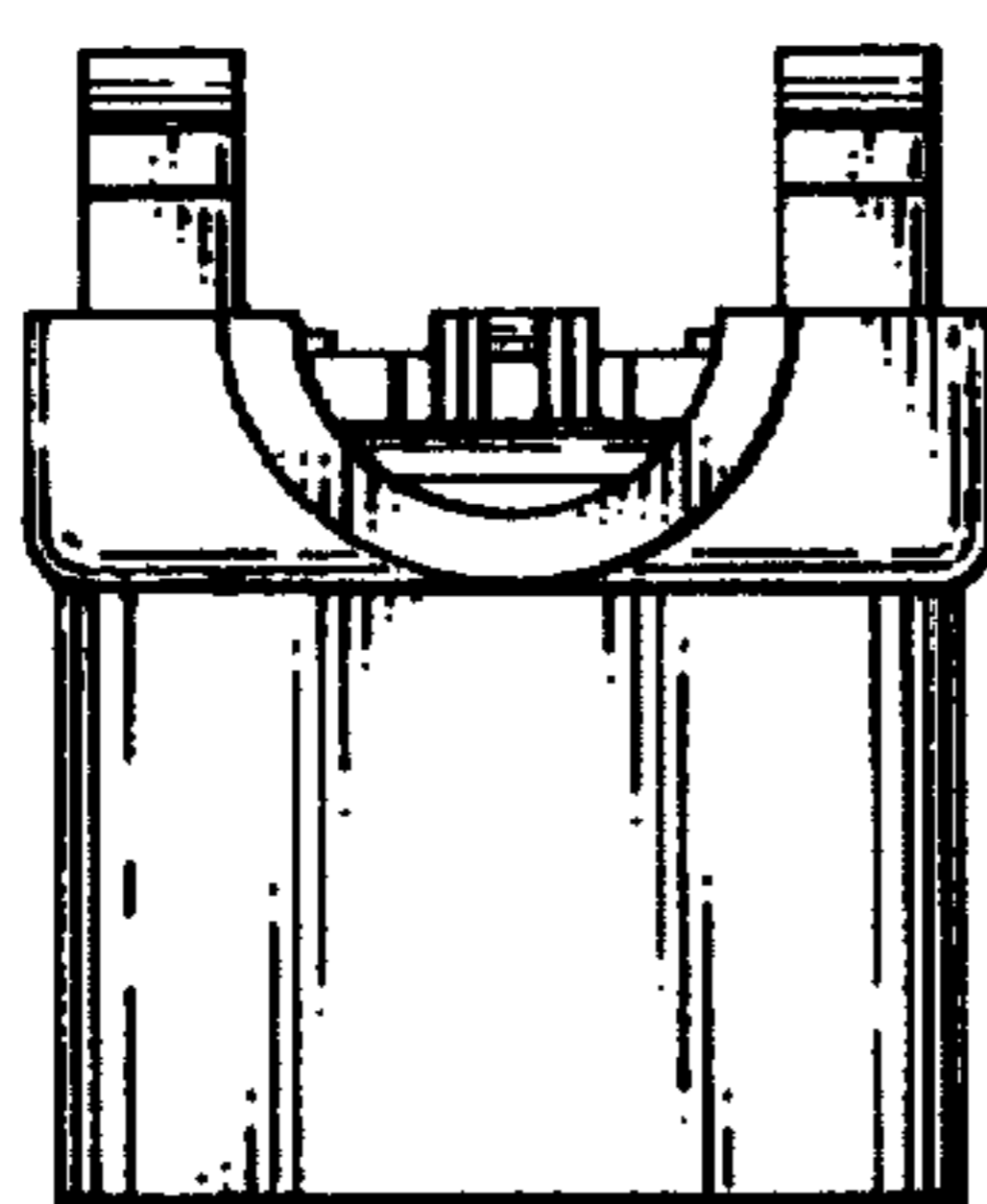


FIG. 6

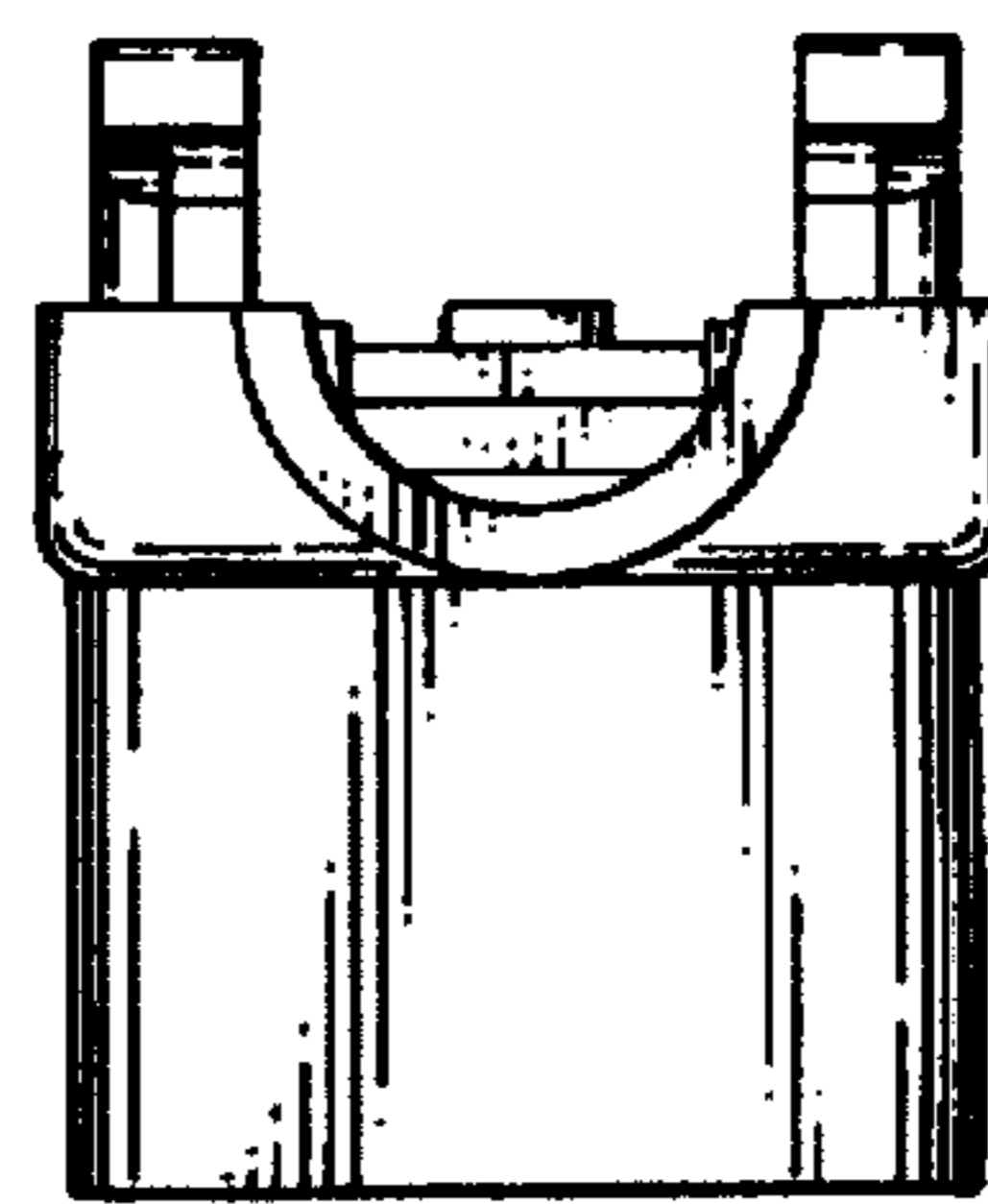


FIG. 7

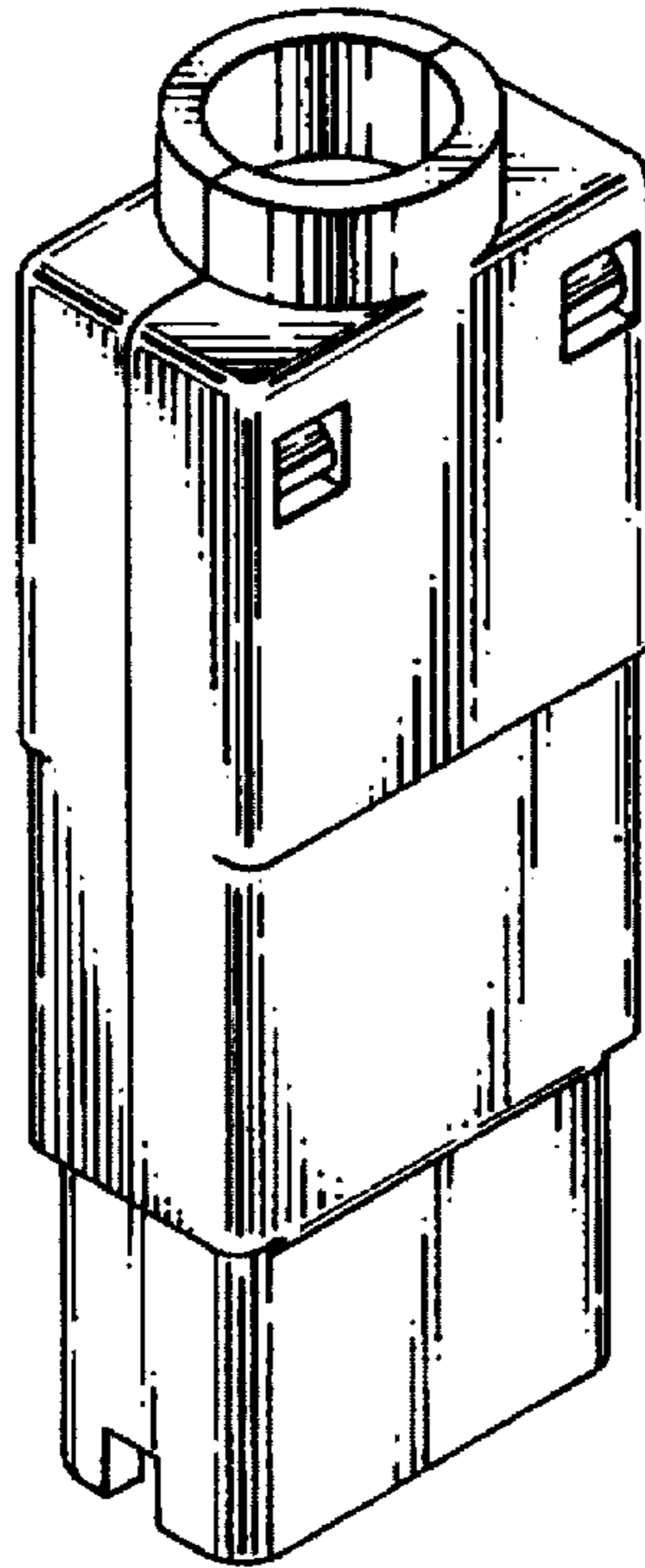


FIG. 9

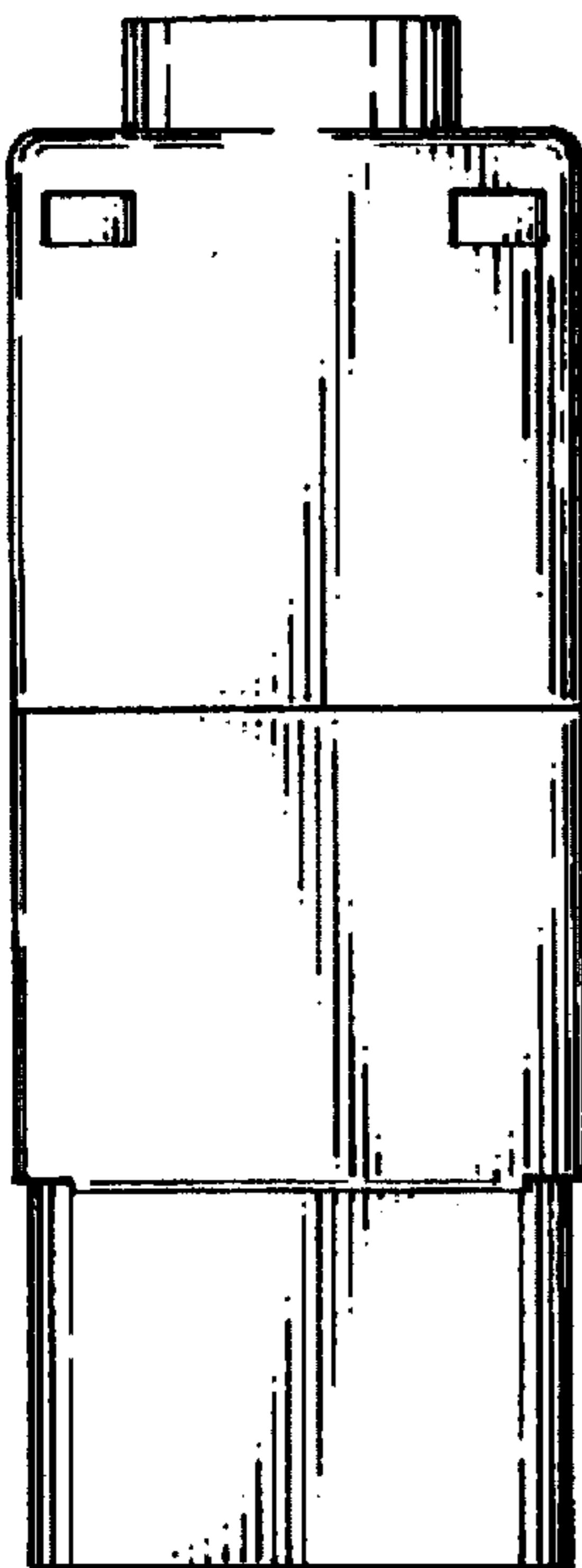


FIG. 8



FIG. 10

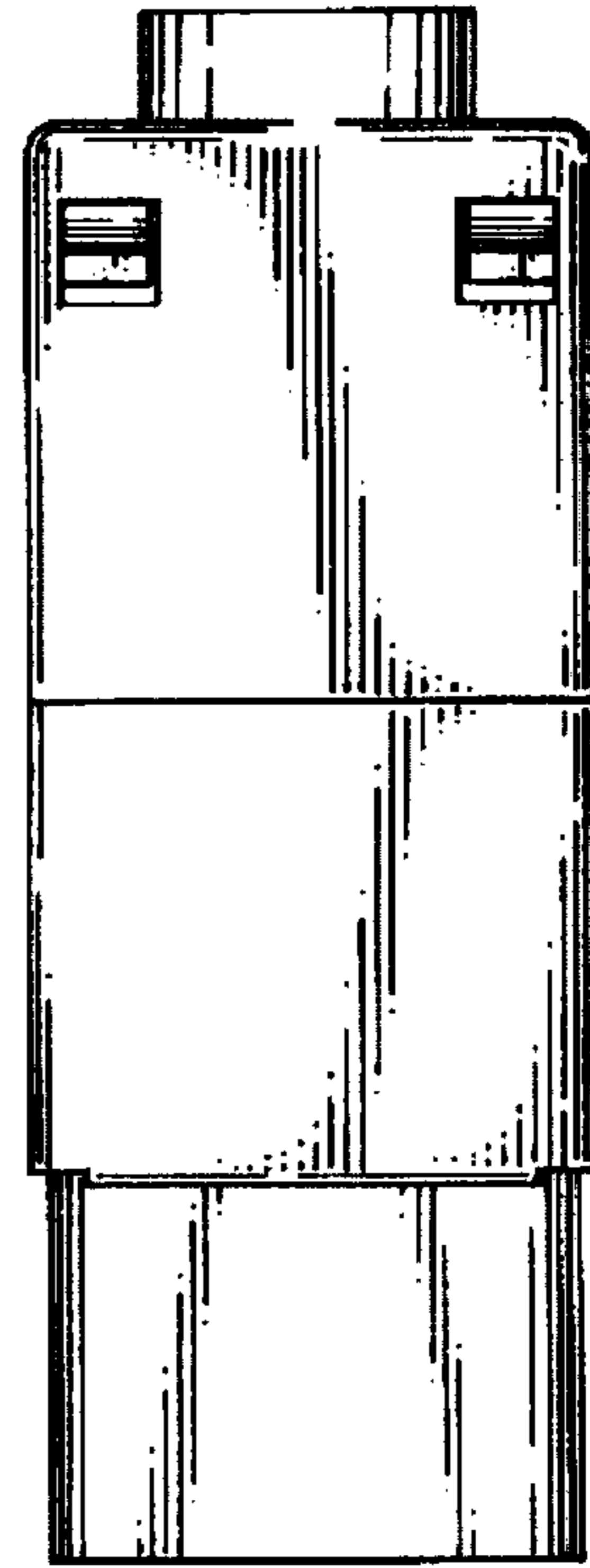


FIG. 11

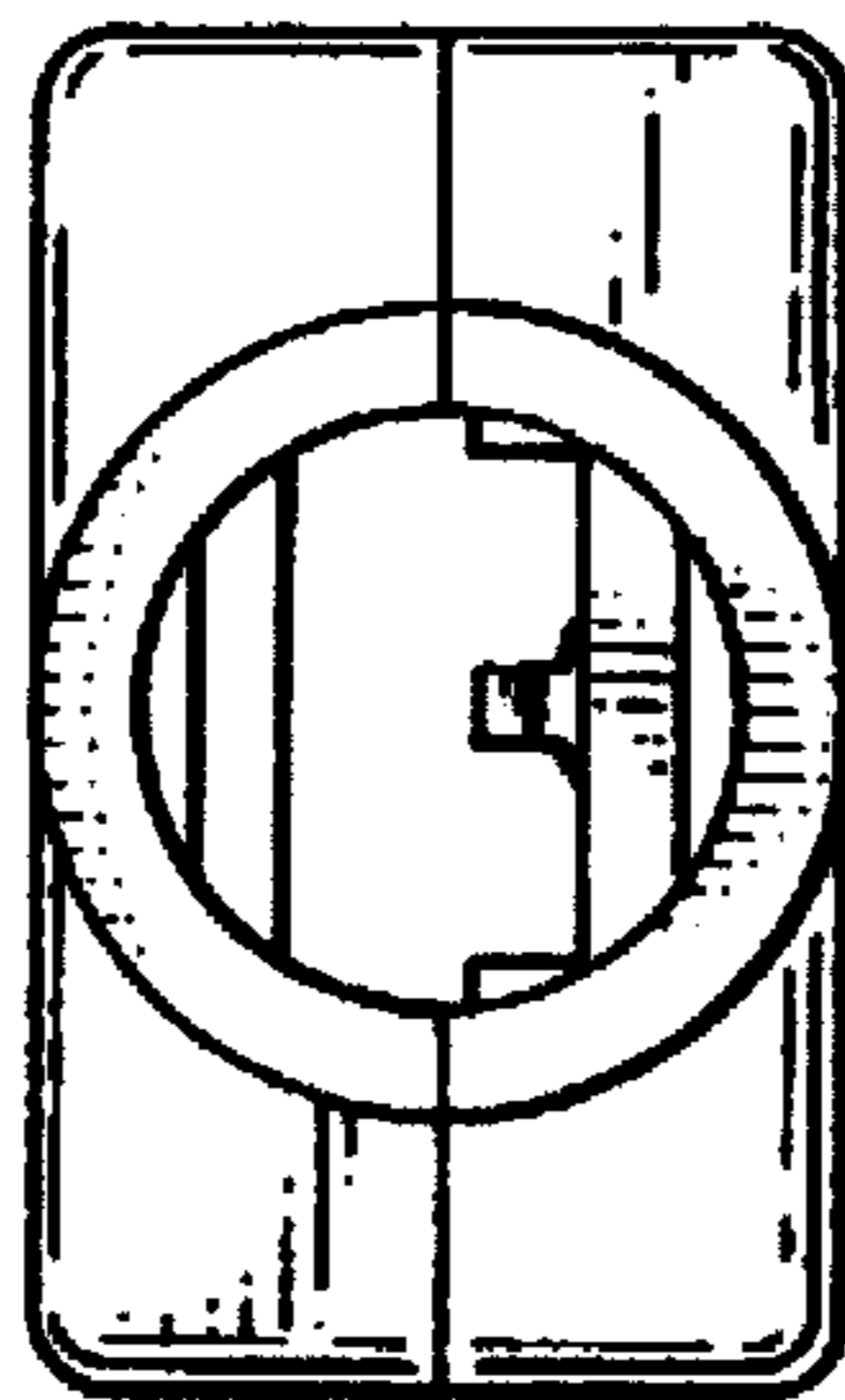


FIG. 12

