



US00D385254S

United States Patent [19]

[11] Patent Number: **Des. 385,254**

Owusu

[45] Date of Patent: ****Oct. 21, 1997**

[54] **MULTI-PRONGED AUDIO HEADSET ADAPTOR**

4,992,626 2/1991 Monroe 174/36
5,378,853 1/1995 Clouet et al. 174/36

[76] Inventor: **Frederick Adu Owusu**, 40 Sam Odame, 215 E. 164th St., 5D, Bronx, N.Y. 10456

[**] Term: **14 Years**

[21] Appl. No.: **49,535**

[22] Filed: **Jan. 29, 1996**

[51] LOC (6) Cl. **13-03**

[52] U.S. Cl. **D13/133; D14/223**

[58] Field of Search **D13/133, 146, D13/156, 173; D14/205, 223; 174/71 R, 72 R, 72 A, 36; 381/74, 183, 187; 379/430; 439/628, 579**

[56] References Cited

U.S. PATENT DOCUMENTS

D. 214,906 8/1969 Steinmeyer D13/173
D. 248,158 6/1978 Read D14/205
4,217,465 8/1980 Holden 174/71 R X

OTHER PUBLICATIONS

Radio Shack ©1990; Headphone & Dubbing Adapters, Items (17) & (18) & Hum-Shielded Monaural Adapters, Item (8), p. 134.

Primary Examiner—Alan P. Douglas
Assistant Examiner—Lavone D. Tabor

[57] CLAIM

The ornamental design for a multi-pronged audio headset adaptor, as shown and described.

DESCRIPTION

FIG. 1 is a front elevational view of the multi-pronged audio headset adaptor showing my new design; FIG. 2 is a rear elevational view thereof; FIG. 3 is a right view thereof; FIG. 4 is a left view thereof; FIG. 5 is a top plan view thereof; FIG. 6 is a bottom plan view thereof; and, FIG. 7 is an isometric view thereof.

1 Claim, 3 Drawing Sheets

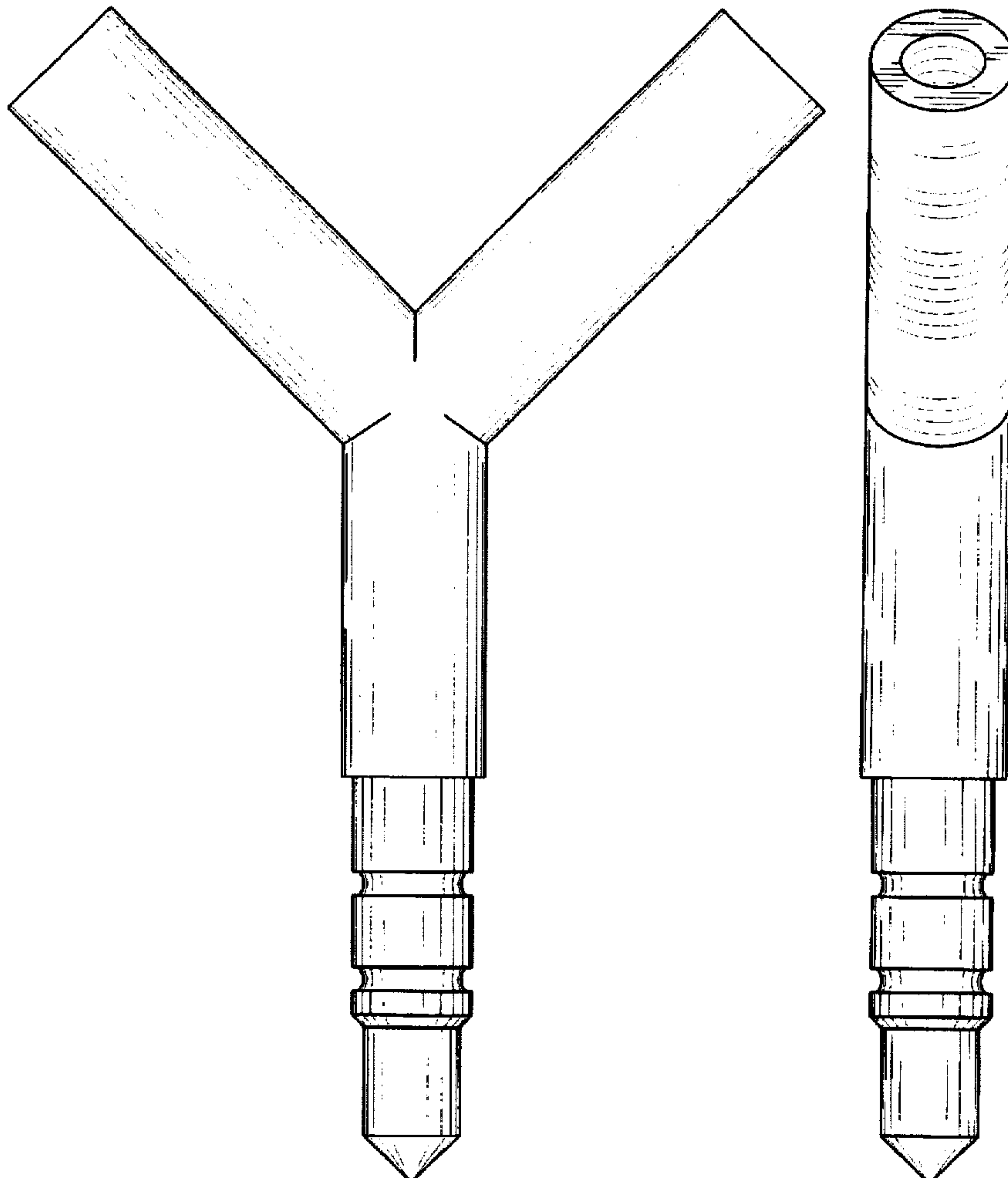


FIG. 1

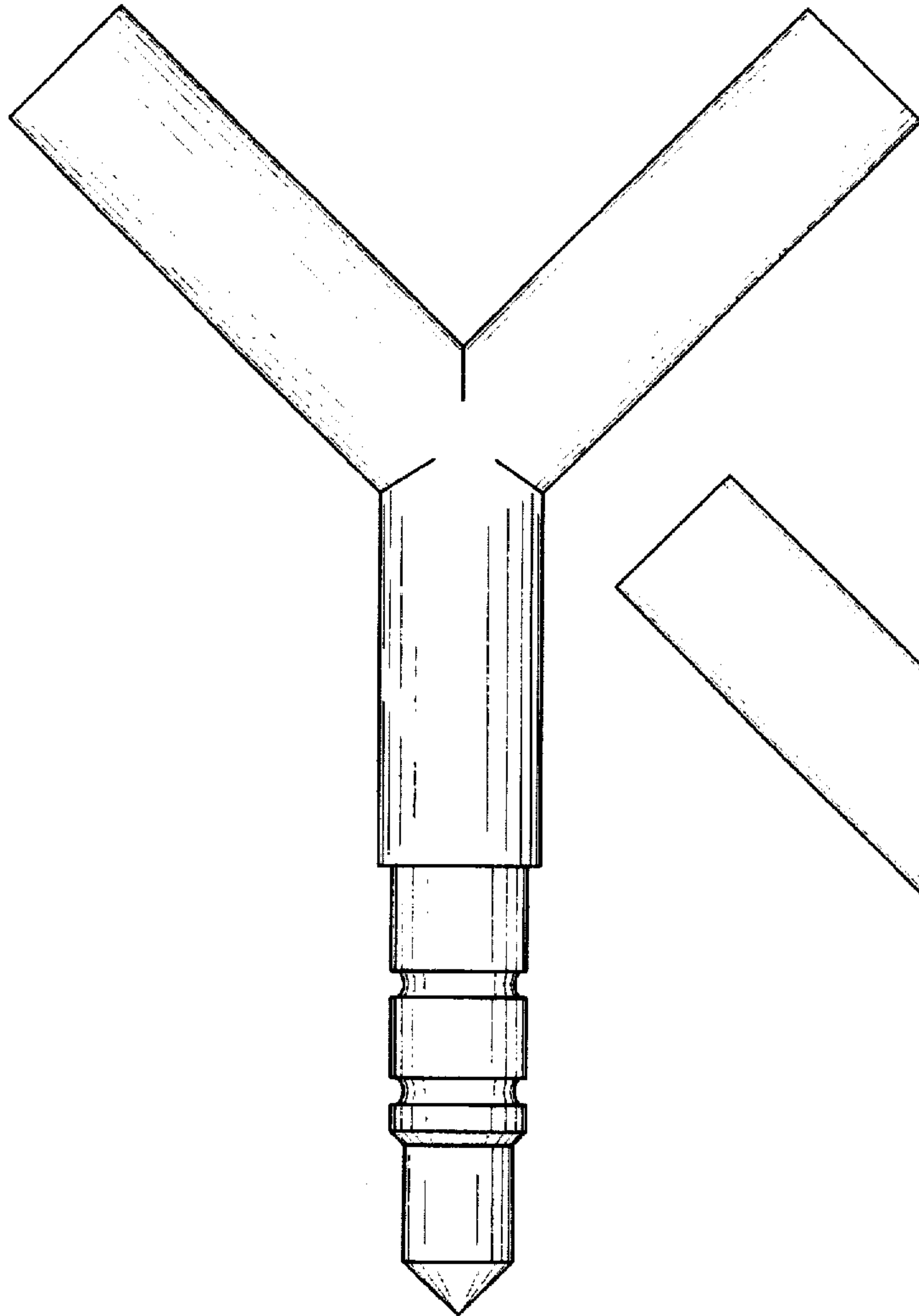


FIG. 2

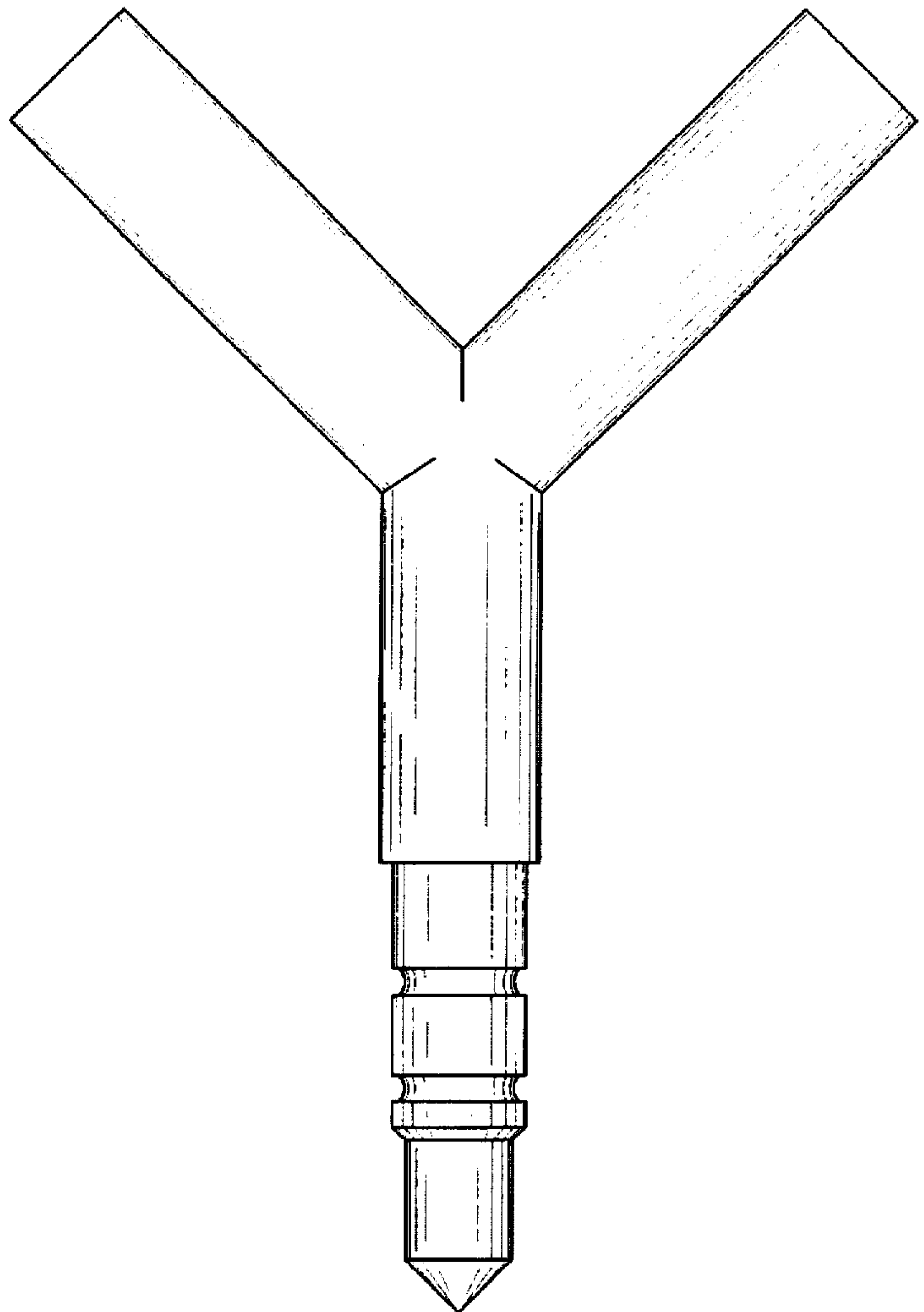


FIG. 3

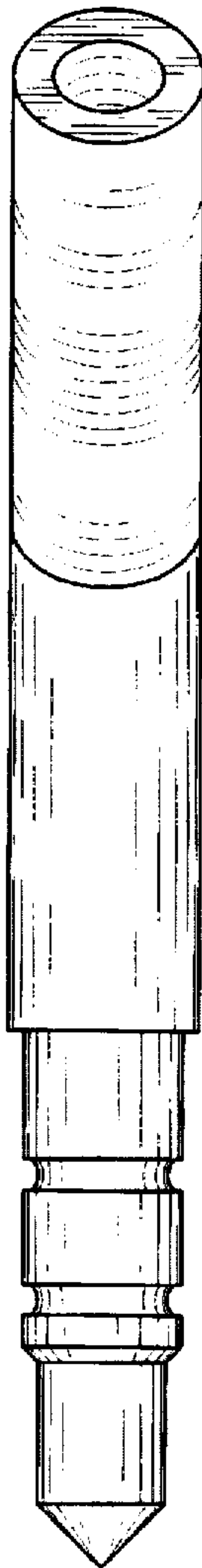


FIG. 4

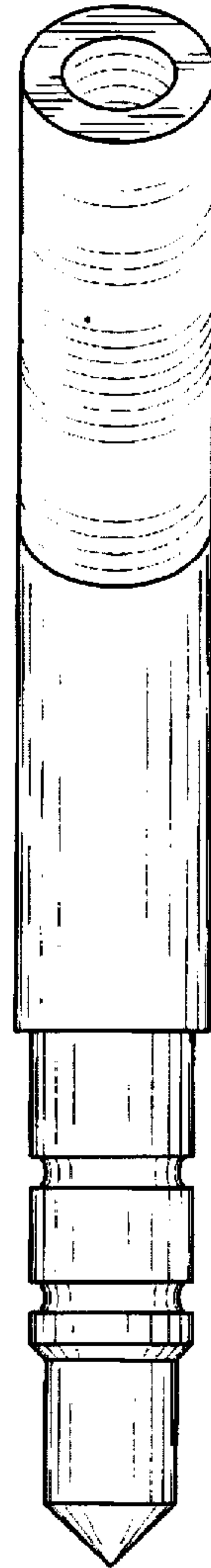


FIG. 5

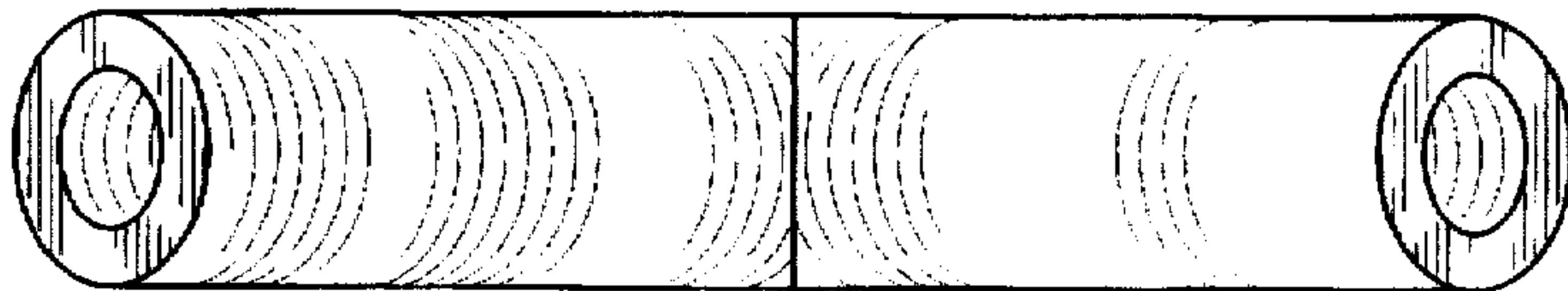


FIG. 6

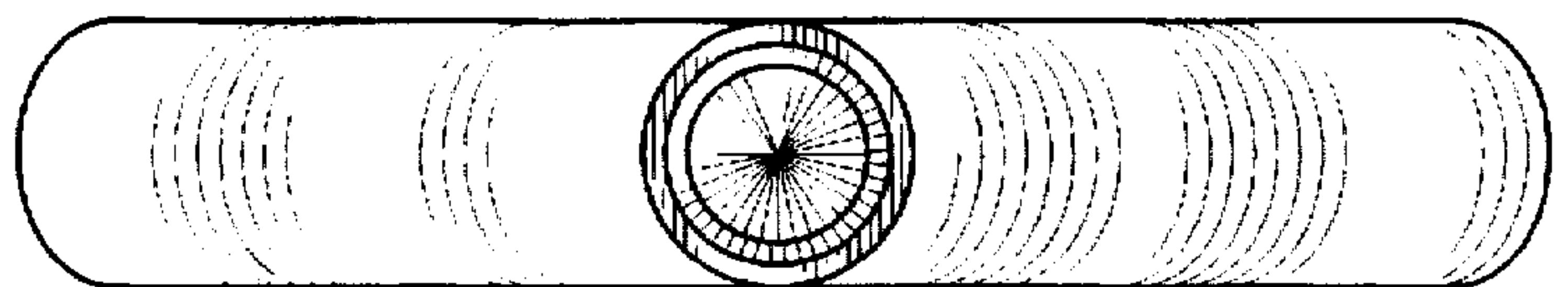


FIG. 7

