



US00D385253S

United States Patent [19]

Spriester et al.

[11] Patent Number: **Des. 385,253**

[45] Date of Patent: ****Oct. 21, 1997**

[54] **POWER DISTRIBUTION UNIT**

4,580,004 4/1986 Beneteau 174/52.1
5,373,104 12/1994 Brauer 174/52.1

[75] Inventors: **Bart Spriester, Duluth; Robert S. Collmus, Alpharetta; Gregory L. Herrmann, Decatur; Ronald J. Hanson, Duluth, all of Ga.**

Primary Examiner—Joel Sincavage
Attorney, Agent, or Firm—Steven C. Stewart

[73] Assignee: **Scientific-Atlanta, Inc., Norcross, Ga.**

[**] Term: **14 Years**

[57] **CLAIM**

The ornamental design for a power distribution unit, as shown and described.

[21] Appl. No.: **36,491**

[22] Filed: **Mar. 21, 1995**

DESCRIPTION

[51] LOC (6) Cl. **13-03**

[52] U.S. Cl. **D13/123; D13/152**

[58] Field of Search **D13/123, 154, D13/199, 152; 174/52.1; 439/63**

FIG. 1 is a perspective view of the top, front and left side of a power distribution unit according to the new design; FIG. 2 is a front elevation view thereof; FIG. 3 is a right side elevation view thereof with the left side being a mirror image thereof; FIG. 4 is a top plan view thereof; and, FIG. 5 is a bottom plan view thereof.

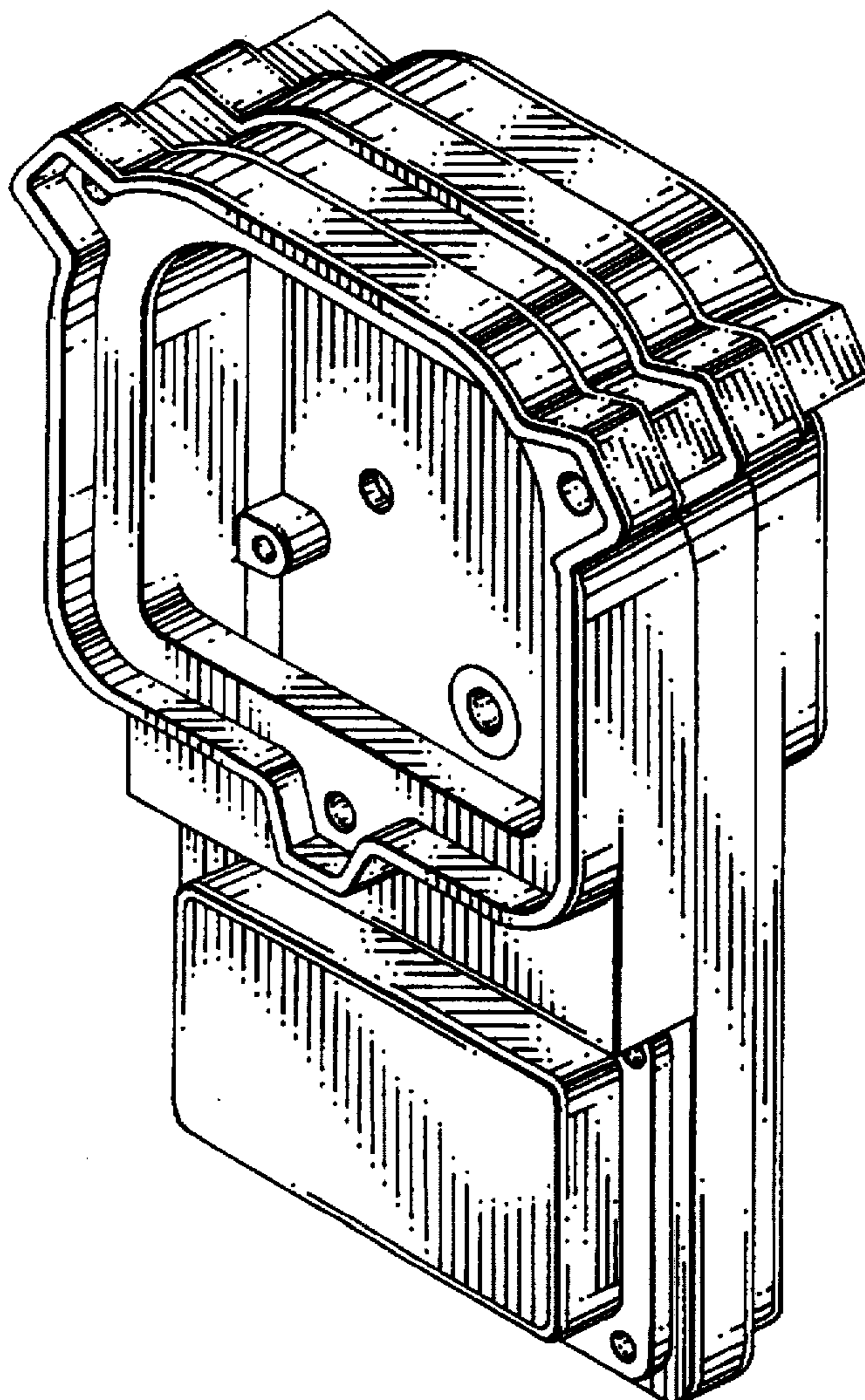
The article as seen from the rear forms no part of the claimed design and the broken line showing is included for the purpose of illustrating the environment structure only and also forms no part of the claimed design.

[56] **References Cited**

U.S. PATENT DOCUMENTS

D. 248,157 6/1978 Ganzi et al. D13/199
3,951,490 4/1976 Devendorf 439/63

1 Claim, 1 Drawing Sheet



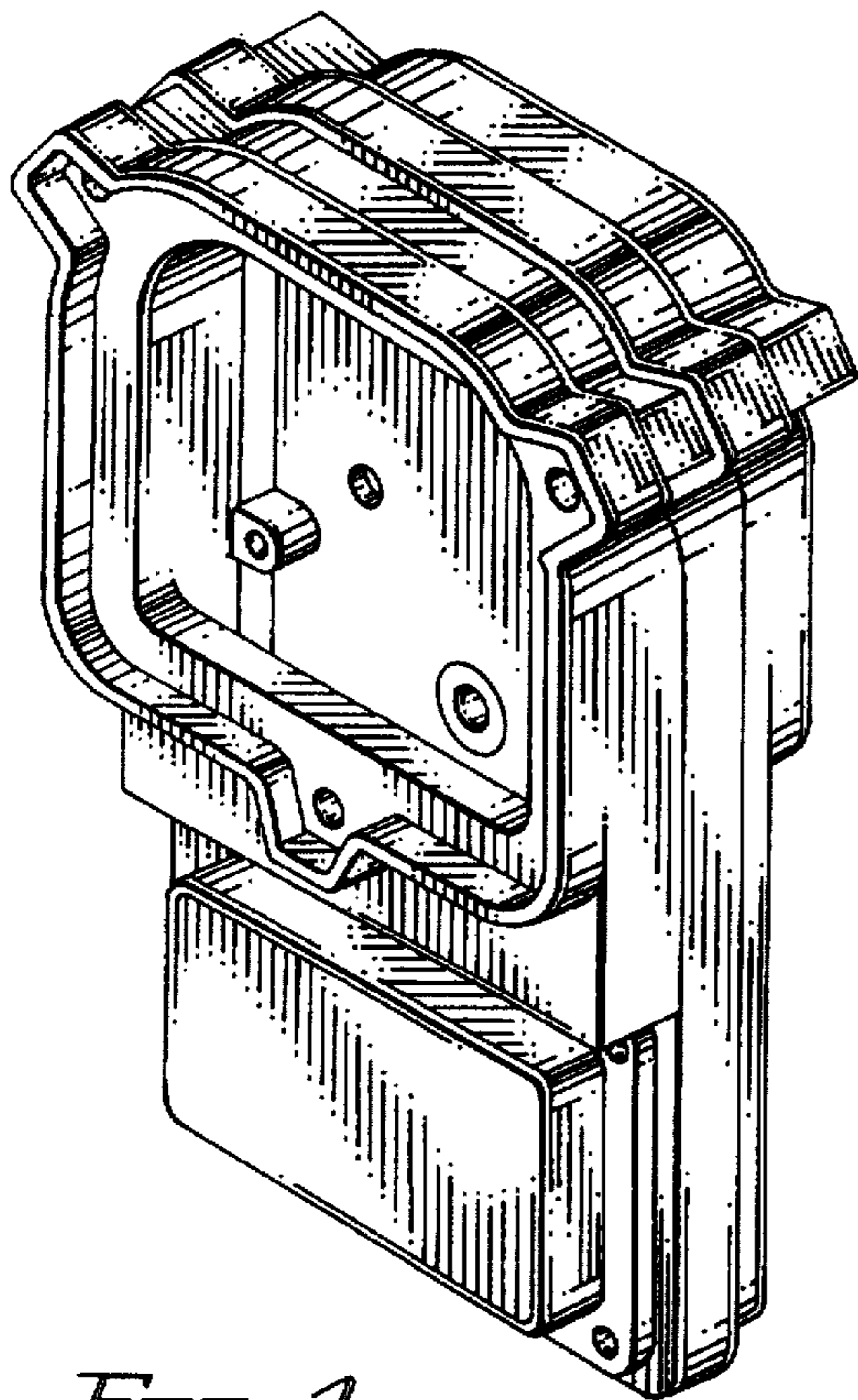


FIG. 1

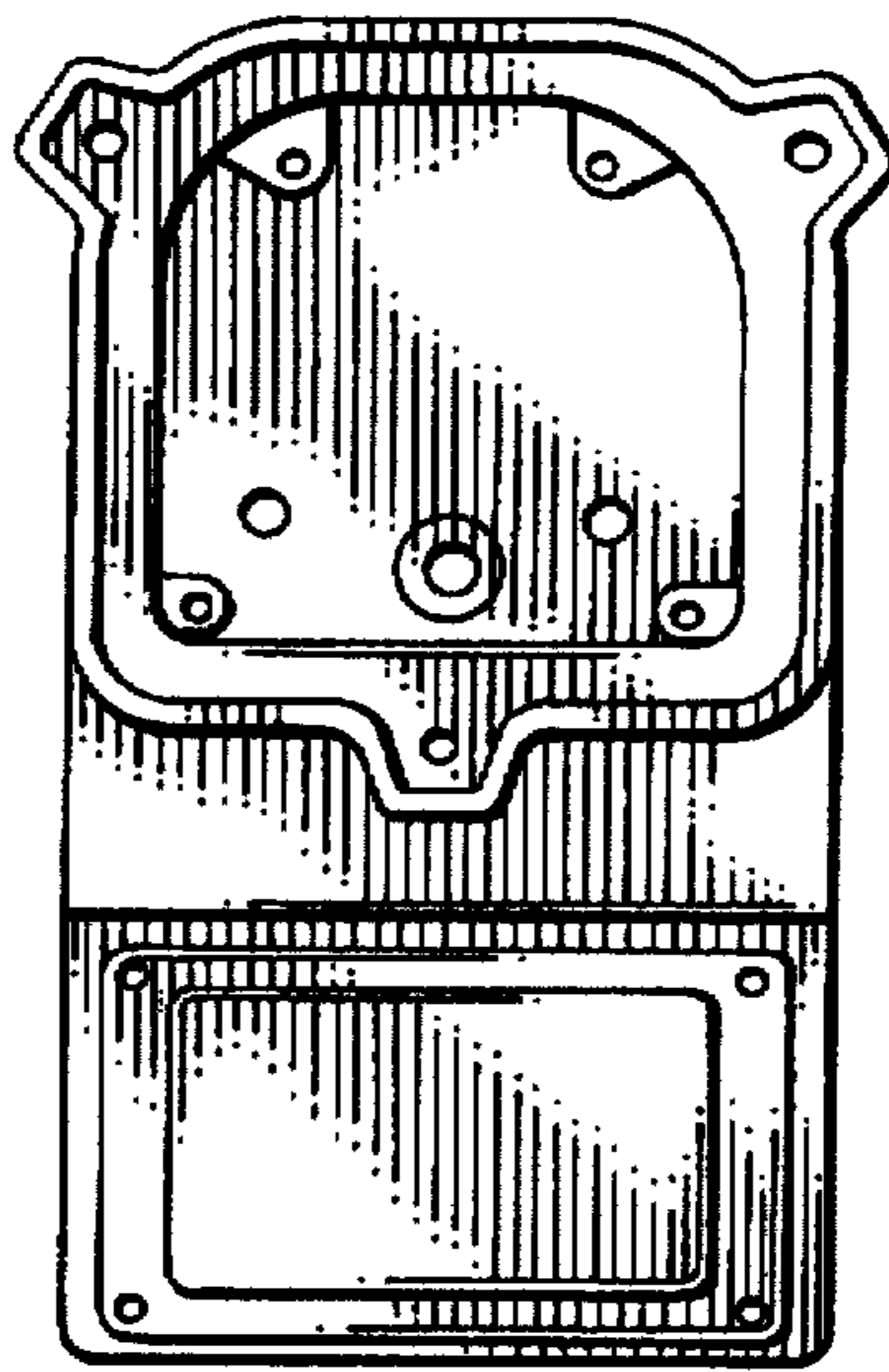


FIG. 2

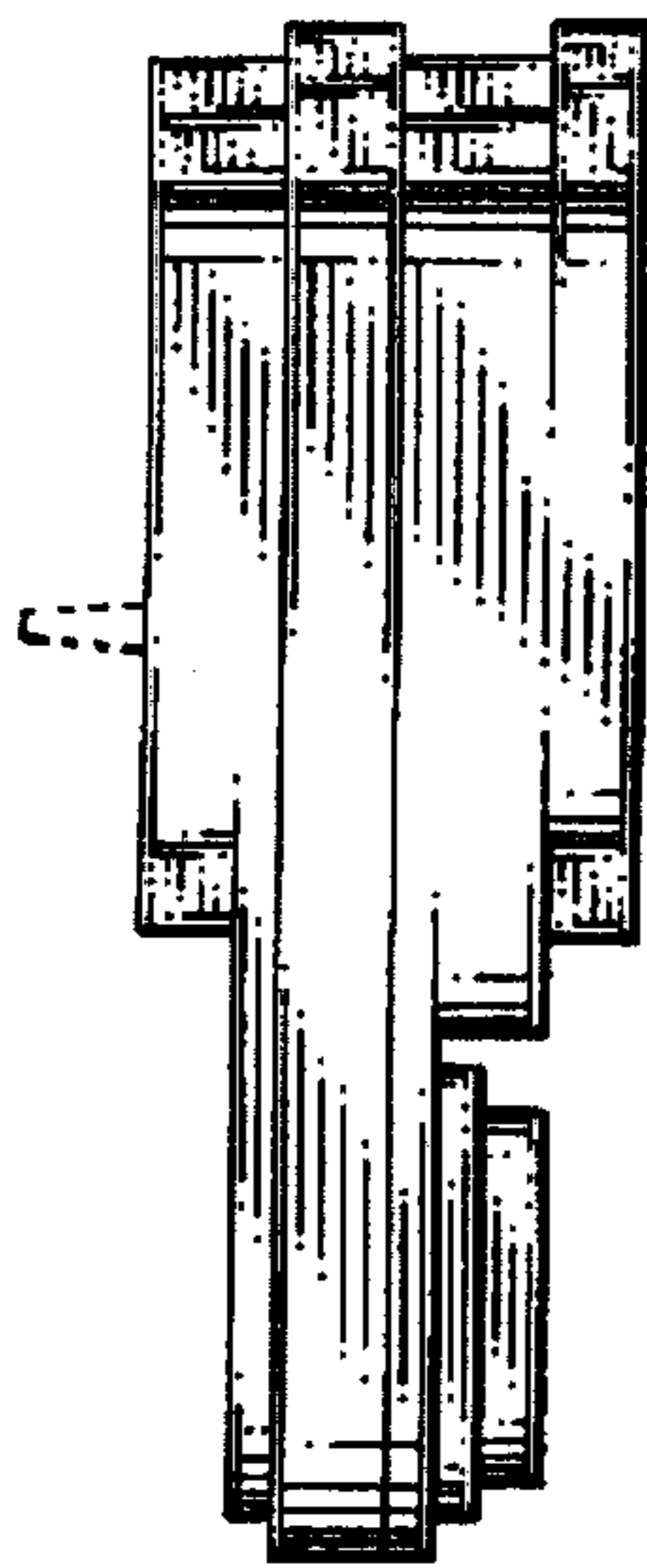


FIG. 3

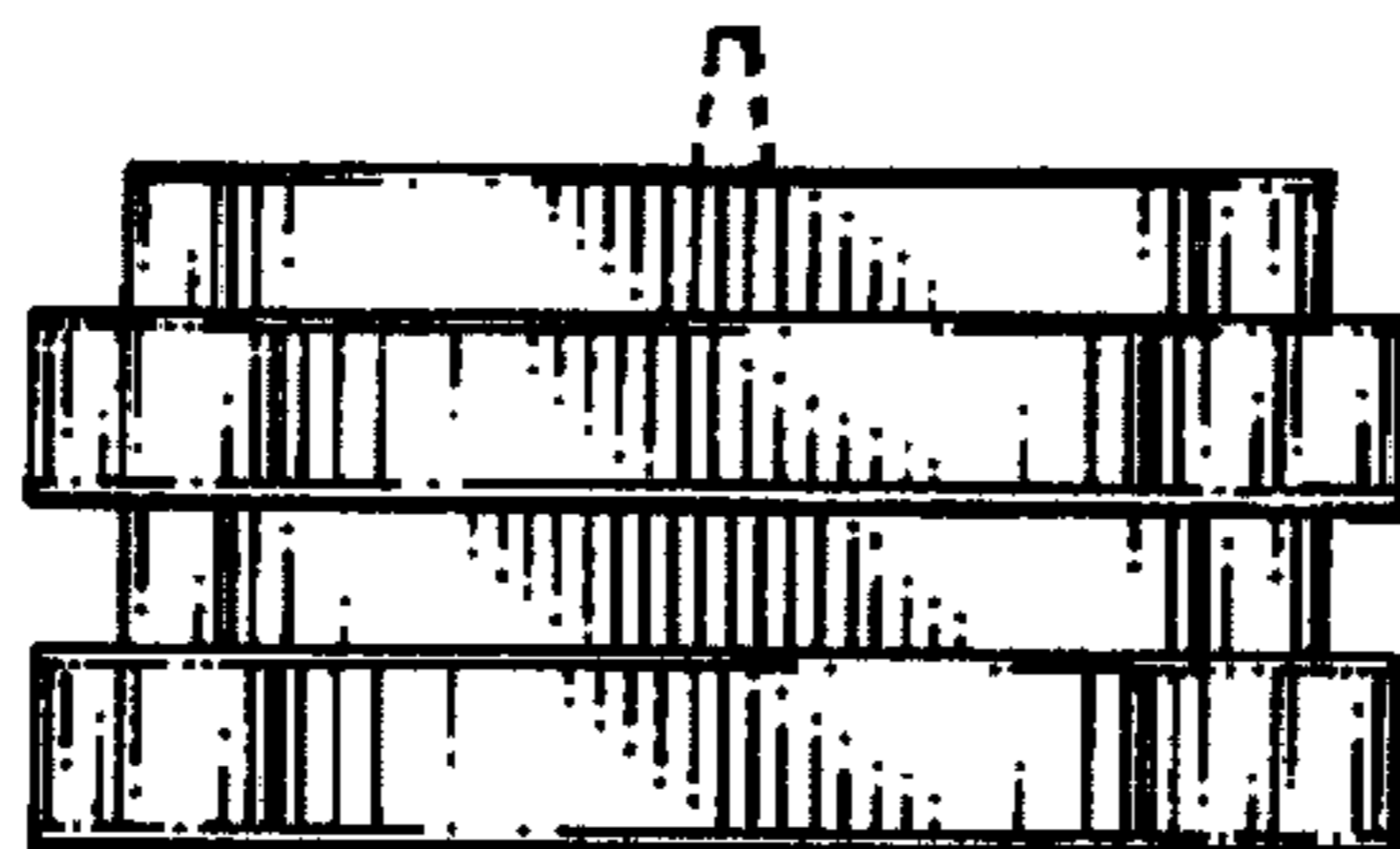


FIG. 4

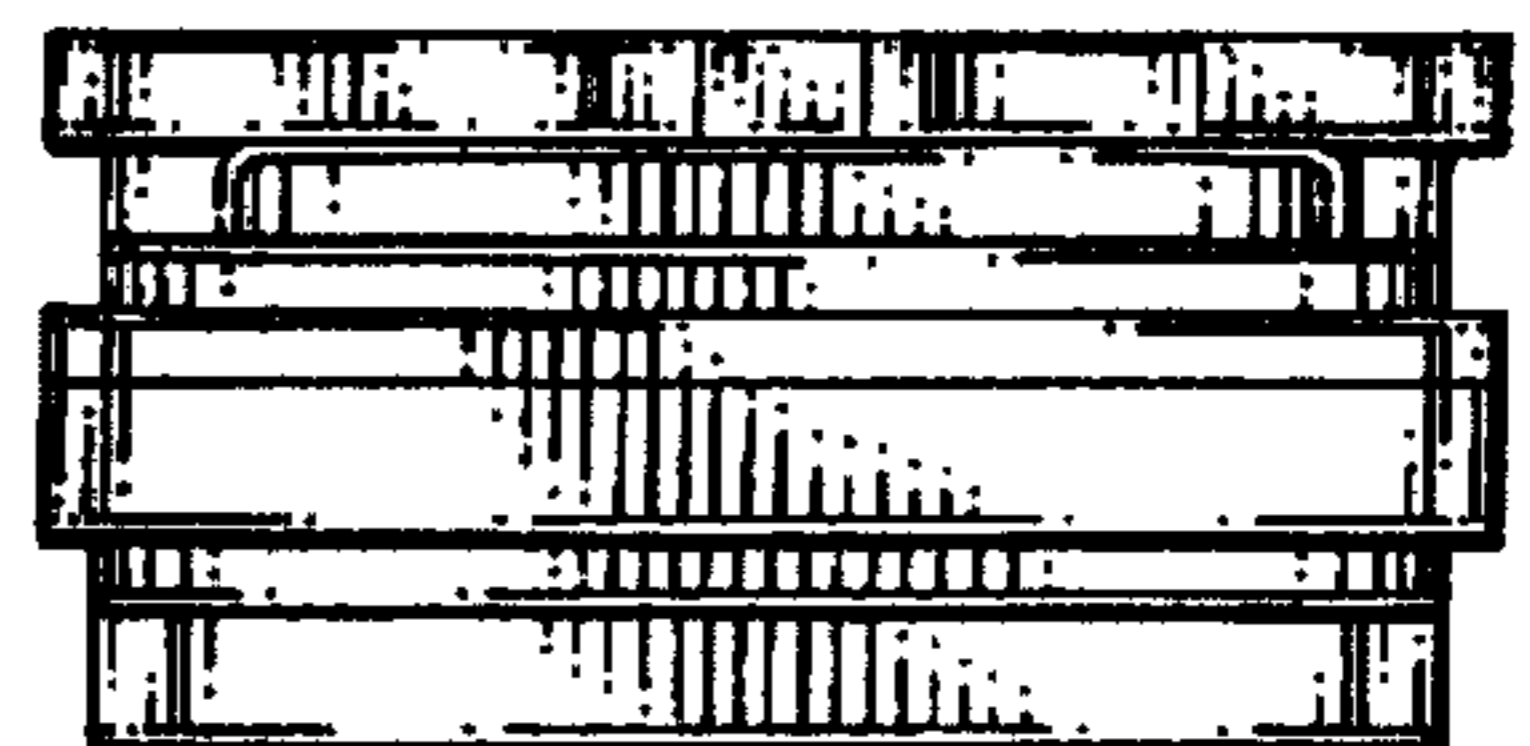


FIG. 5