



US00D385252S

United States Patent [19]

[11] Patent Number: **Des. 385,252**

Snyder et al.

[45] Date of Patent: ****Oct. 21, 1997**

[54] **CHARGING BASE FOR A PORTABLE RADIOTELEPHONE**

[75] Inventors: **Thomas David Snyder, Raleigh; Christopher Todd Collins, Cary, both of N.C.**

D. 361,069 8/1995 Hellier et al. D14/149 X
 5,052,943 10/1991 Davis D14/114 X
 5,525,888 6/1996 Toya 320/2
 5,587,645 12/1996 Sciammarella et al. 320/2

[73] Assignee: **Ericsson Inc., Research Triangle Park, N.C.**

[**] Term: **14 Years**

[21] Appl. No.: **60,082**

[22] Filed: **Sep. 20, 1996**

[51] LOC (6) Cl. **13-02**

[52] U.S. Cl. **D13/108; D14/253**

[58] Field of Search D13/107, 108; 320/2, 5, 15; D14/251, 253, 252, 240, 140, 142, 138, 149, 114; 379/58-61, 419, 420, 428, 440, 454, 455; 455/89, 90

[56] **References Cited**

U.S. PATENT DOCUMENTS

D. 275,482	9/1984	Coons et al.	D14/253
D. 277,662	2/1985	Huntington et al.	D13/107
D. 315,330	3/1991	Soren et al.	D13/107
D. 319,052	8/1991	Major	D14/138
D. 322,061	12/1991	Watanabe	D13/108
D. 328,889	8/1992	Seki	D13/108
D. 341,133	11/1993	Miyake et al.	D14/114
D. 349,097	7/1994	Watanabe	D13/108
D. 350,540	9/1994	Hyvonen	D14/253 X
D. 353,131	12/1994	Nagele	D14/149 X
D. 358,821	5/1995	Hellier et al.	D13/108 X

OTHER PUBLICATIONS

Page Showing NECP-9100.
 Page 1-2 Showing Mitsubishi Desk-Top Charger FZ-754.
 NTT Do Co Mo, Mo Va, Apr. 1994, pp. 89 and 90 Showing Charger.

Primary Examiner—Jeffrey Asch
Attorney, Agent, or Firm—David C. Hall

[57] **CLAIM**

The ornamental design for a charging base for a portable radiotelephone, as shown.

DESCRIPTION

FIG. 1 is a perspective view of the charging base for a portable radiotelephone, showing our new design;
 FIG. 2 is a right elevation of the charging base for a portable radiotelephone of FIG. 1;
 FIG. 3 is a left elevation of the charging base for a portable radiotelephone of FIG. 1;
 FIG. 4 is a plan view of the charging base for a portable radiotelephone of FIG. 1;
 FIG. 5 is a front elevation of the charging base for a portable radiotelephone of FIG. 1;
 FIG. 6 is a rear elevation of the charging base for a portable radiotelephone of FIG. 1; and,
 FIG. 7 is a bottom view of the charging base for a portable radiotelephone of FIG. 1.

1 Claim, 5 Drawing Sheets

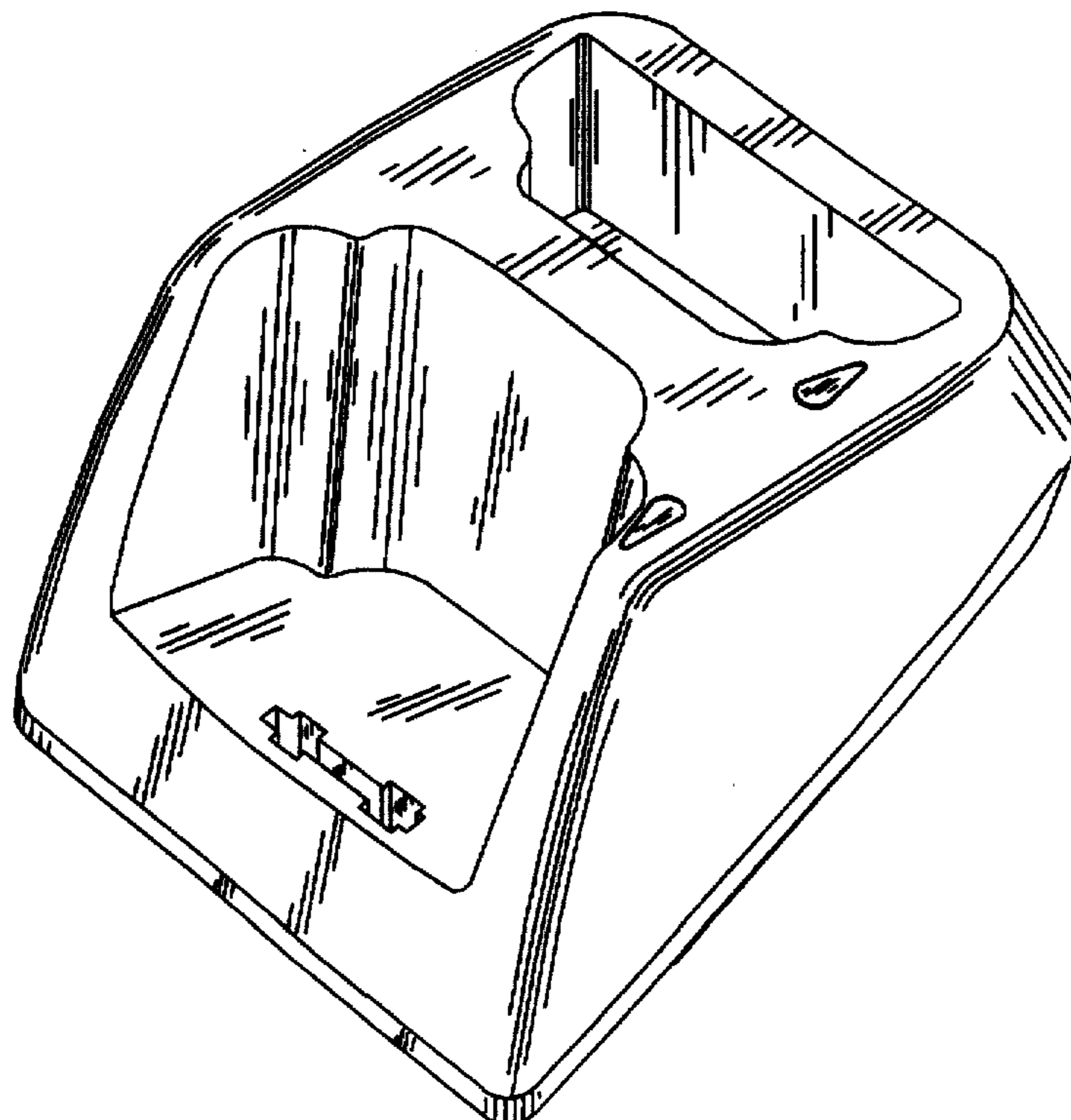


FIG. 1

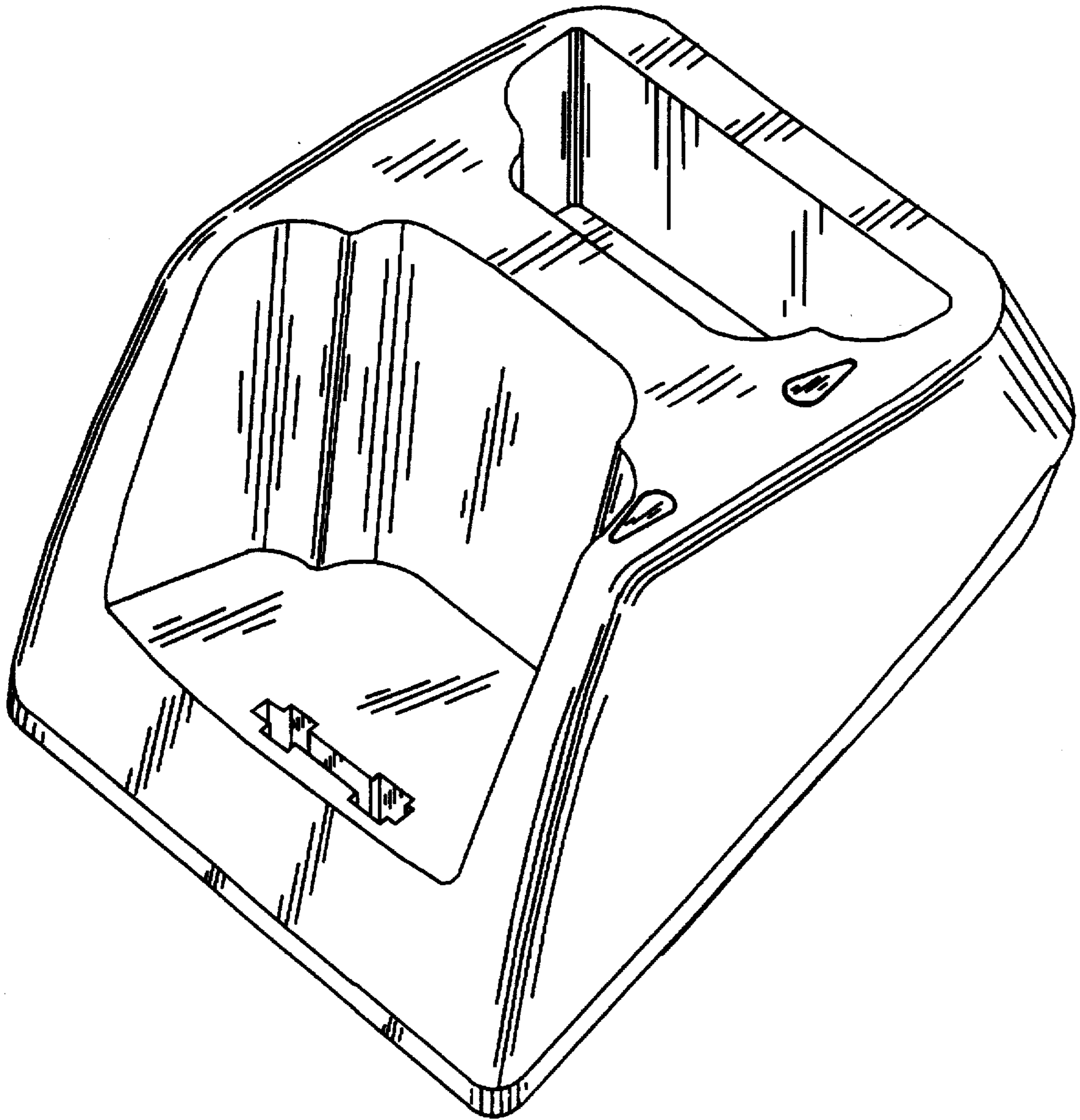


FIG. 2

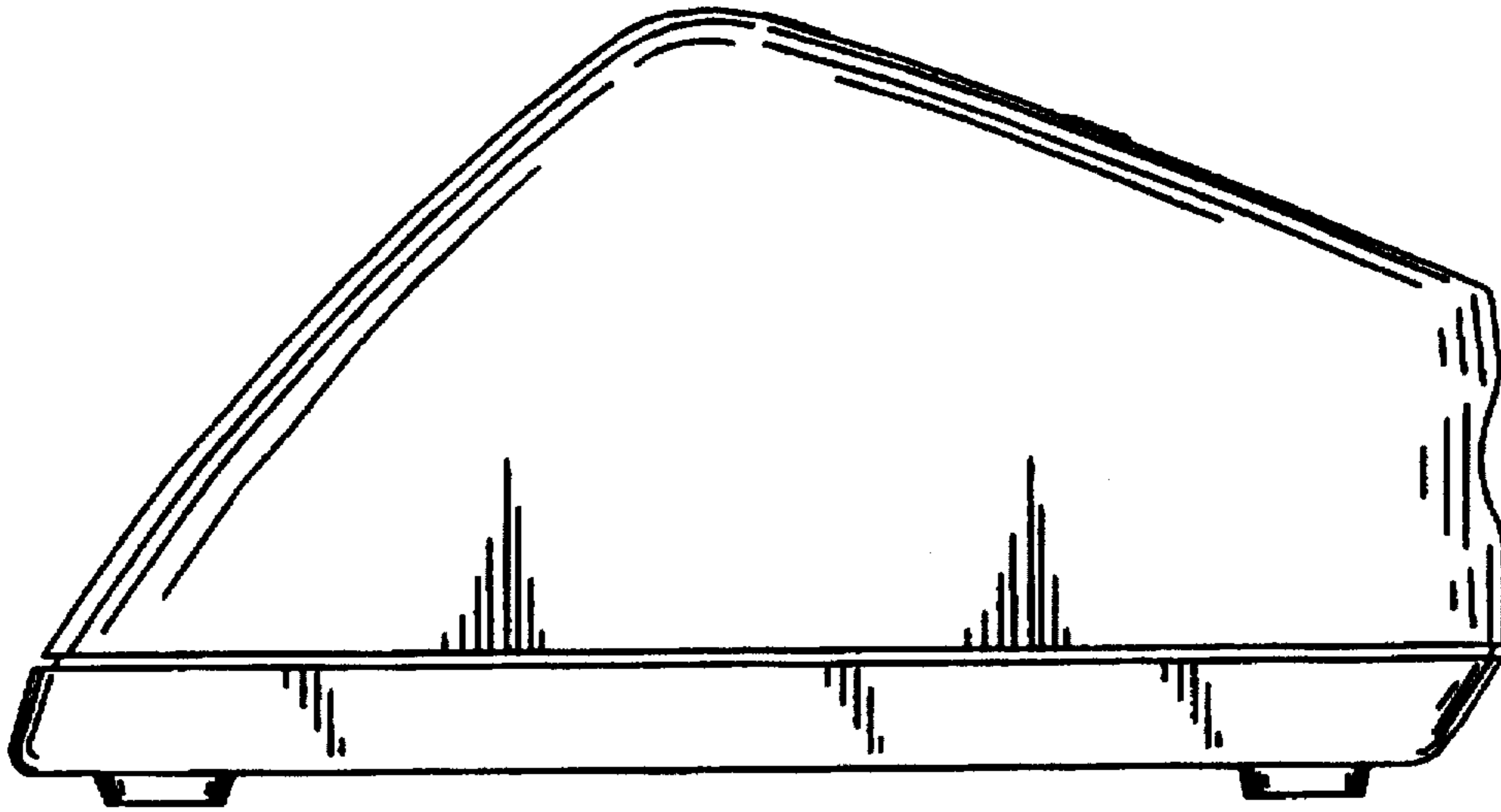


FIG. 3

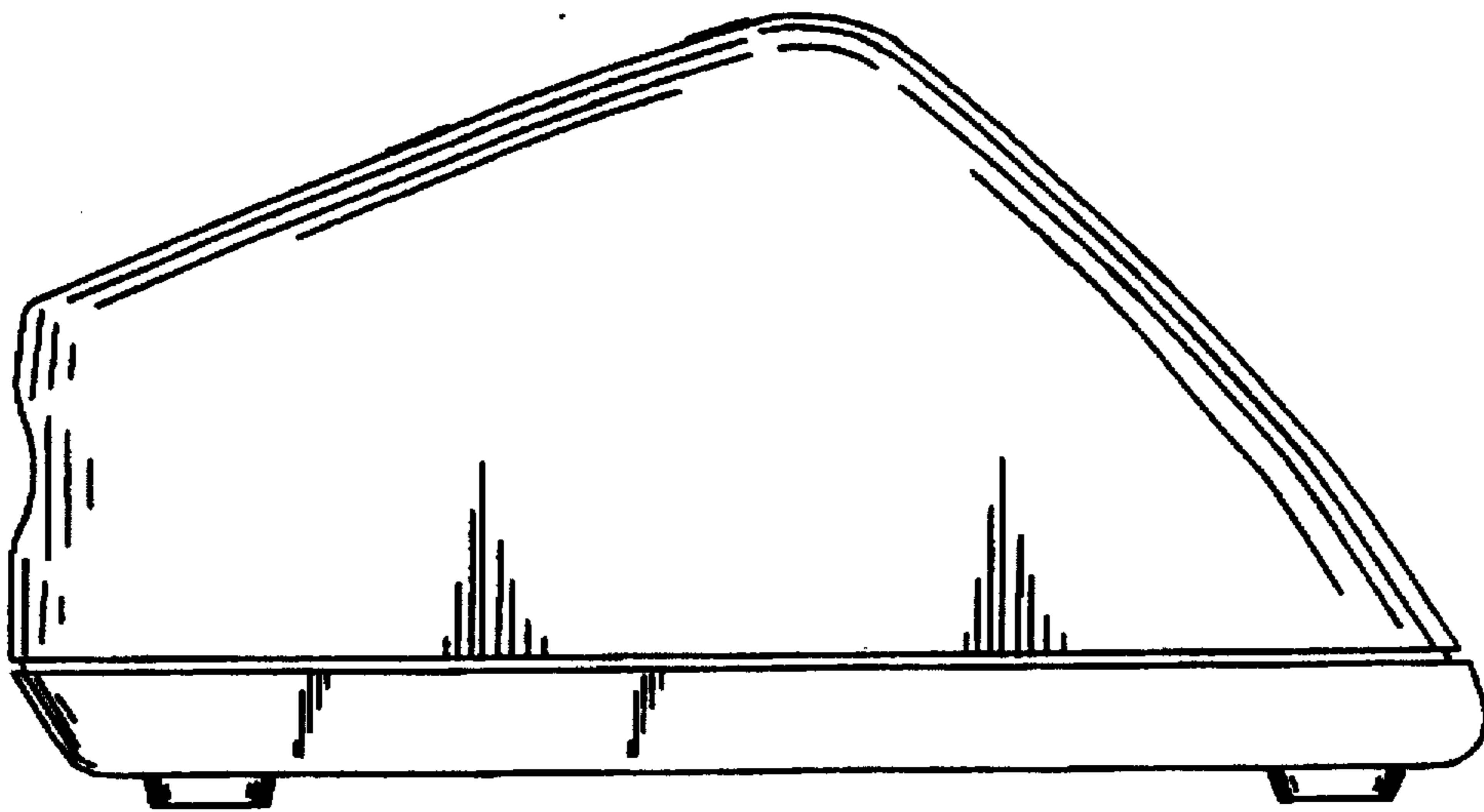


FIG. 4

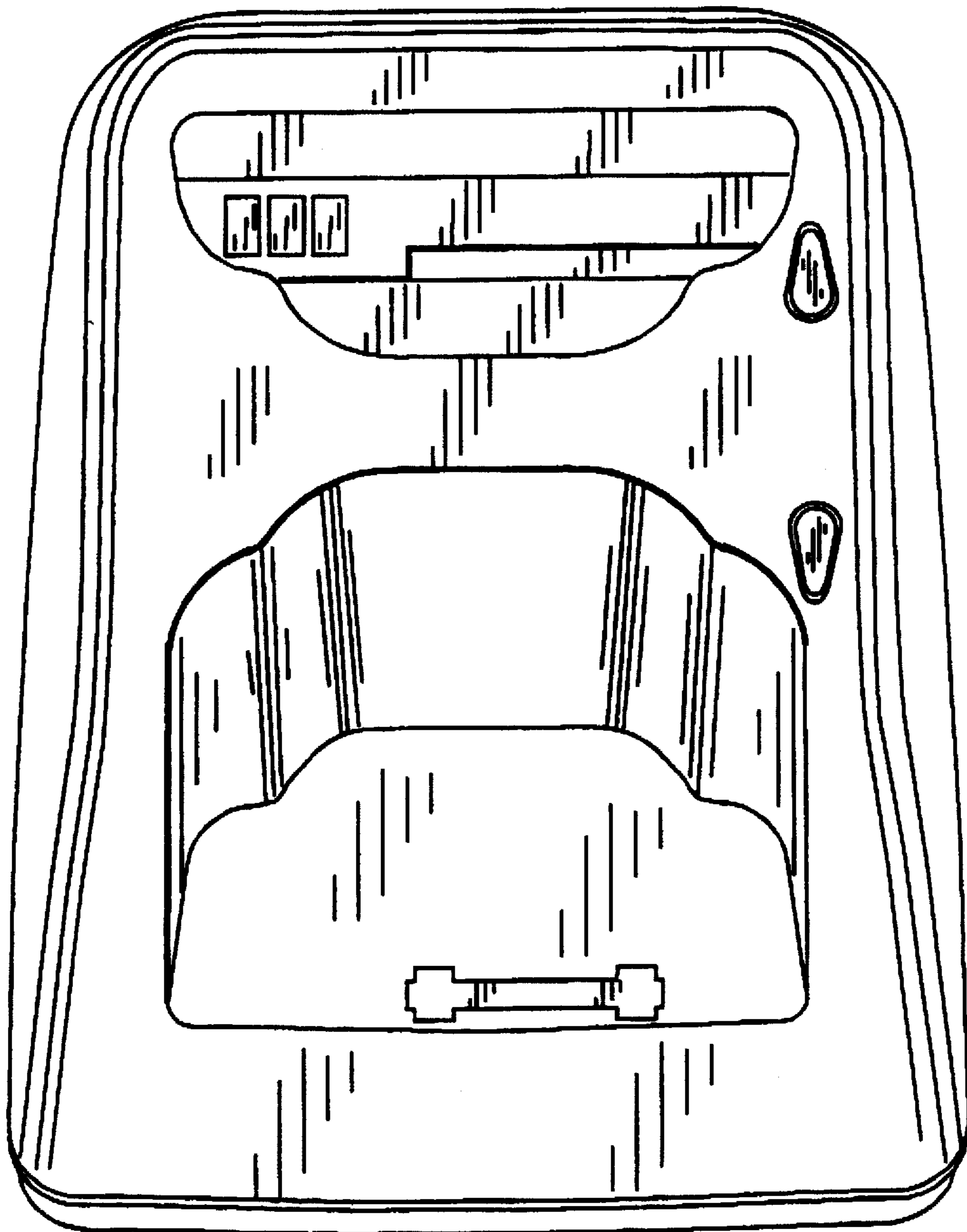


FIG. 5

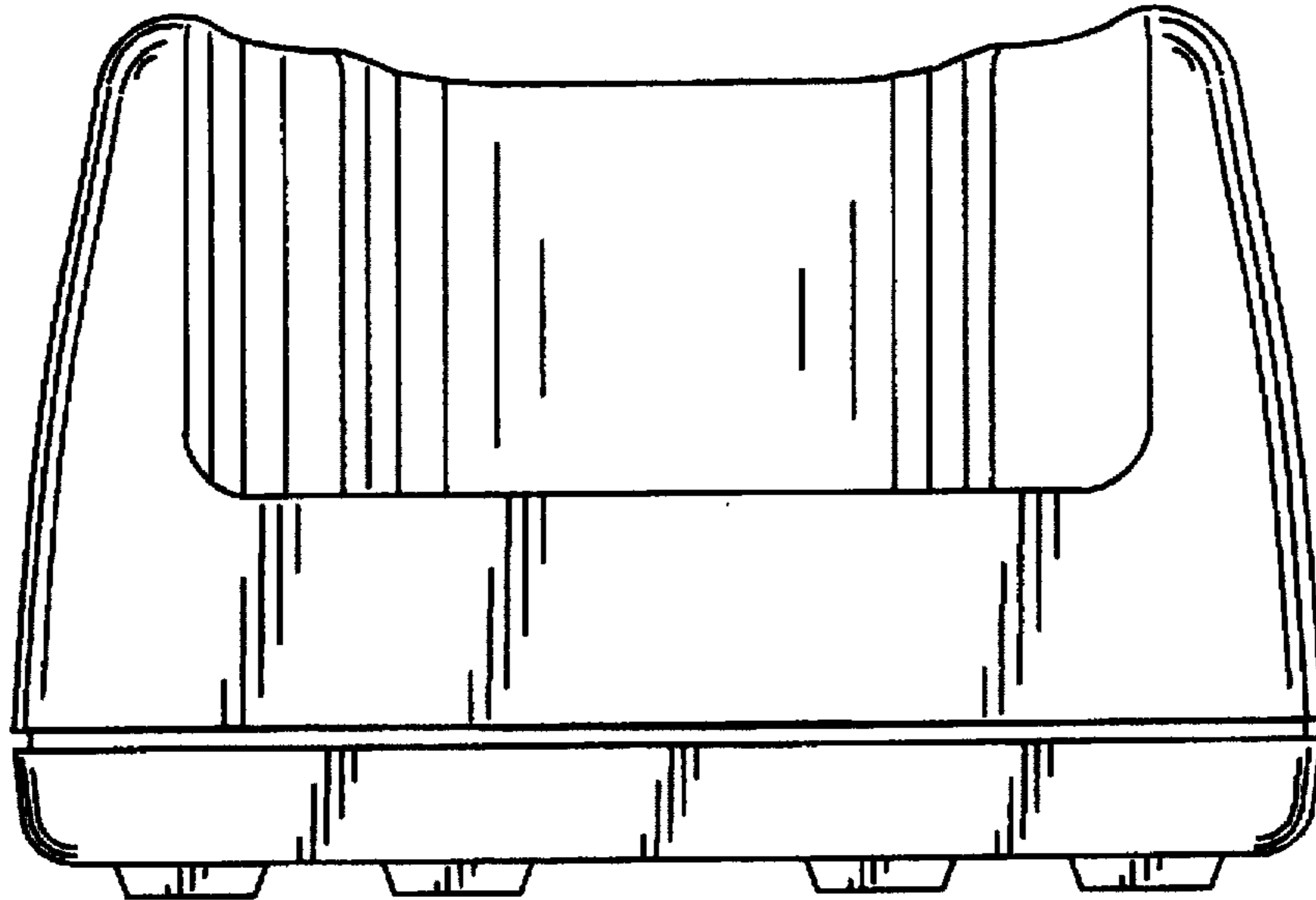


FIG. 6

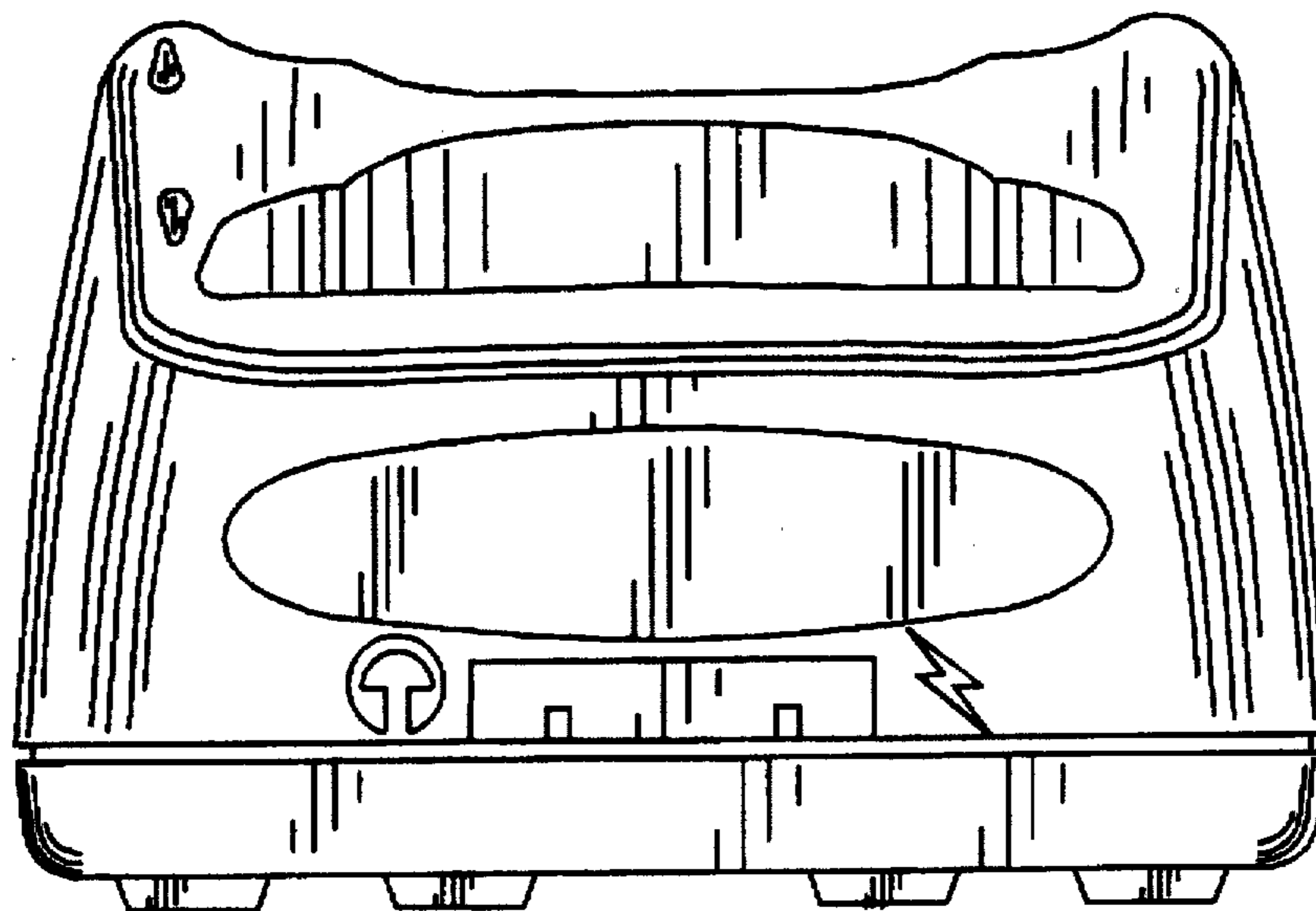


FIG. 7

