



US00D385250S

United States Patent [19]
Dunn

[11] **Patent Number: Des. 385,250**
[45] **Date of Patent: **Oct. 21, 1997**

[54] **BICYCLE STORAGE RACK**

[76] **Inventor: Christopher J. Dunn, 2929 N. 70th St., Apt. No. 2056, Scottsdale, Ariz. 85251**

[**] **Term: 14 Years**

[21] **Appl. No.: 55,342**

[22] **Filed: Jun. 4, 1996**

[51] **LOC (6) Cl. 12-16**

[52] **U.S. Cl. D12/407**

[58] **Field of Search D12/407, 114; 224/35-39**

[56] **References Cited**

U.S. PATENT DOCUMENTS

D. 310,808	9/1990	Kosecoff	D12/407
D. 324,016	2/1992	Hsu	D12/407
D. 336,877	6/1993	Fenton	D12/407
4,760,943	8/1988	Bass et al.	224/39

OTHER PUBLICATIONS

Performance Bicycle, 1994, p. 62, the Arca Outrack.
Performance Bicycle, 1996, p. 30, the Trans-It Rear/Rack and Headland Utility X Rack.

Primary Examiner—Melody N. Brown
Attorney, Agent, or Firm—Owen, Wickersham & Erickson, P.C.

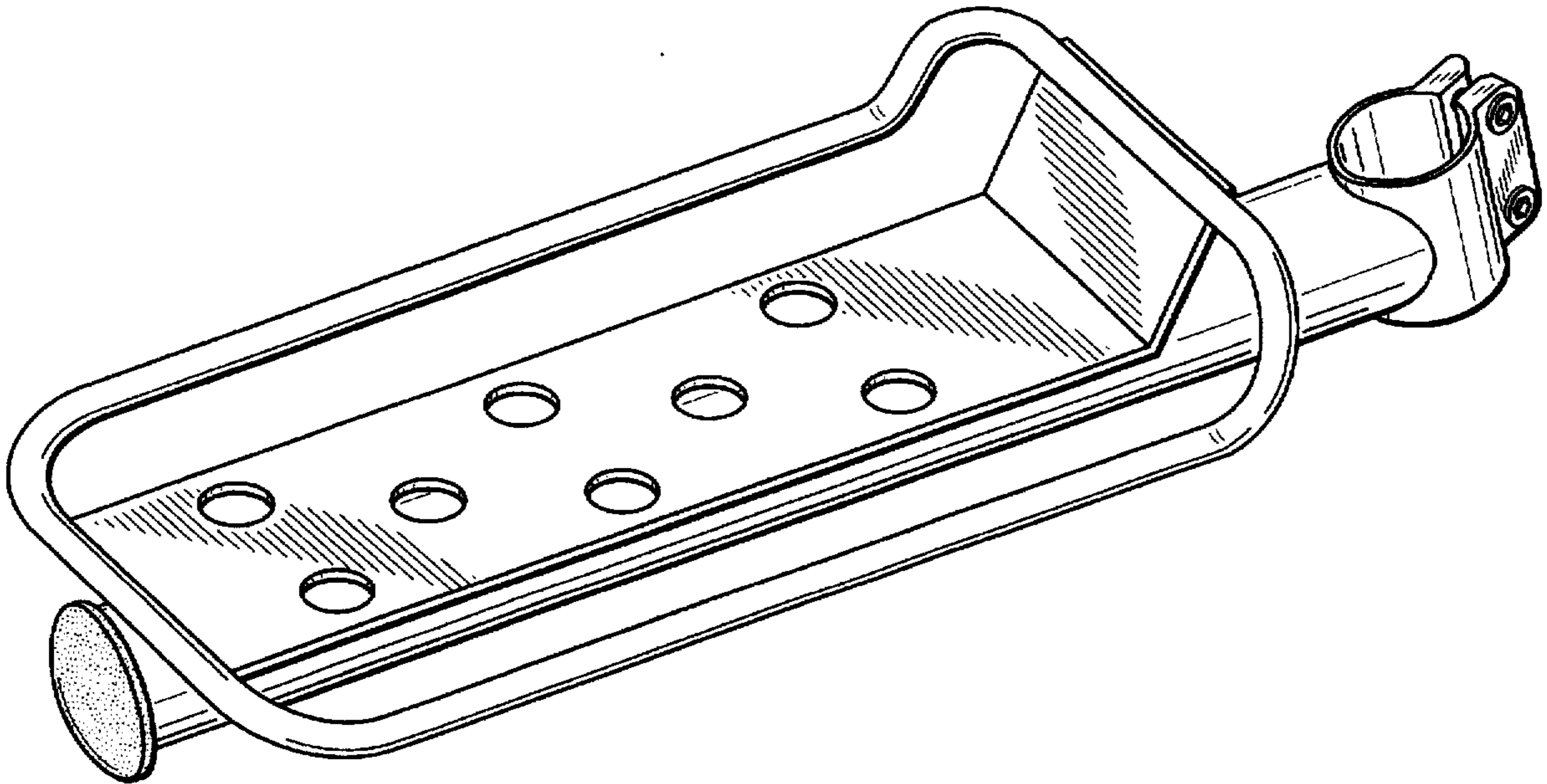
[57] **CLAIM**

The ornamental design for a bicycle storage rack, as shown and described.

DESCRIPTION

FIG. 1 is a view in perspective of a bicycle storage rack embodying my new design;
FIG. 2 is a top plan view thereof;
FIG. 3 is a bottom plan view thereof;
FIG. 4 is a right side elevational view thereof;
FIG. 5 is a left side elevational view thereof;
FIG. 6 is a front elevational view thereof; and,
FIG. 7 is a rear elevational view thereof.

1 Claim, 3 Drawing Sheets



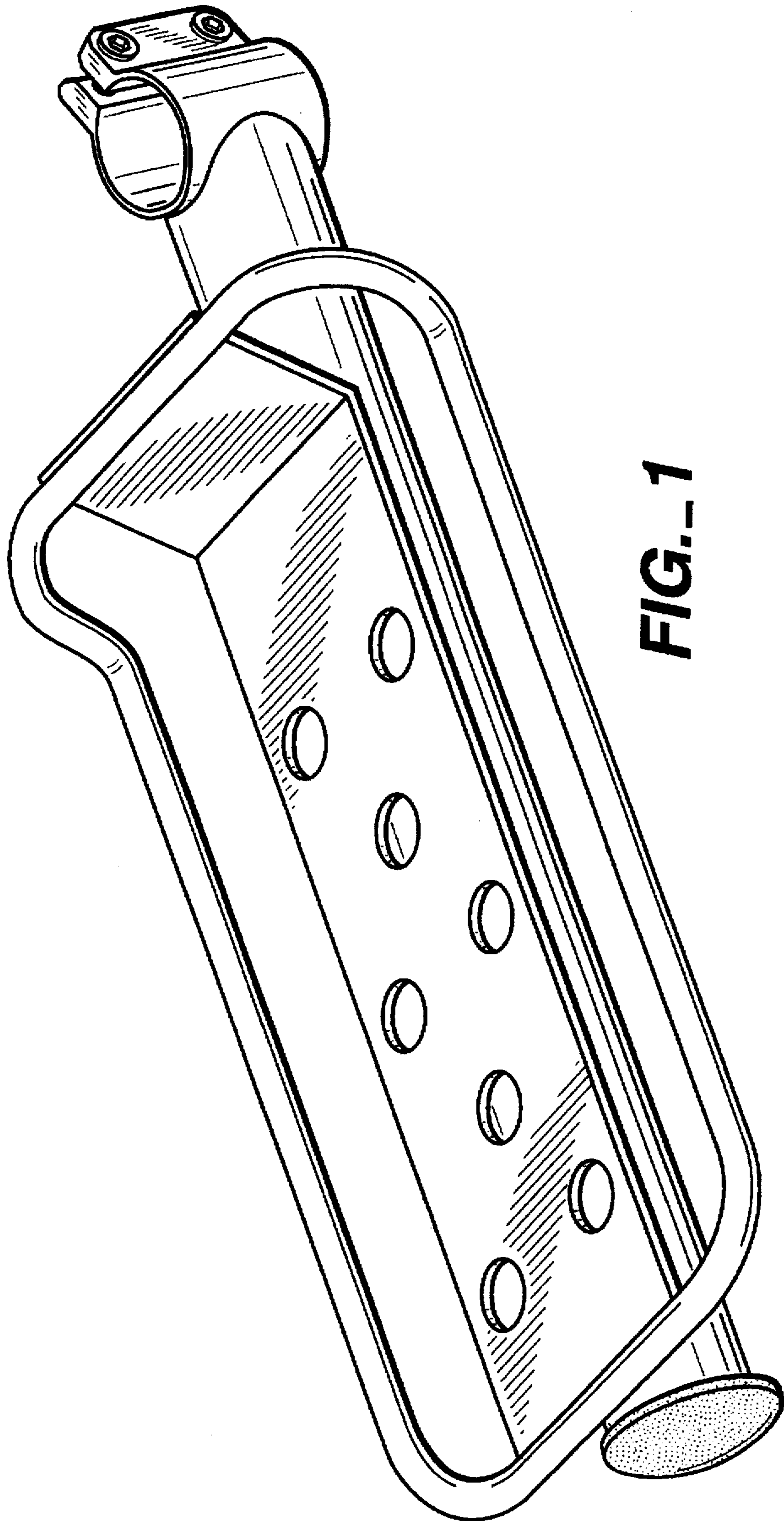


FIG. 1

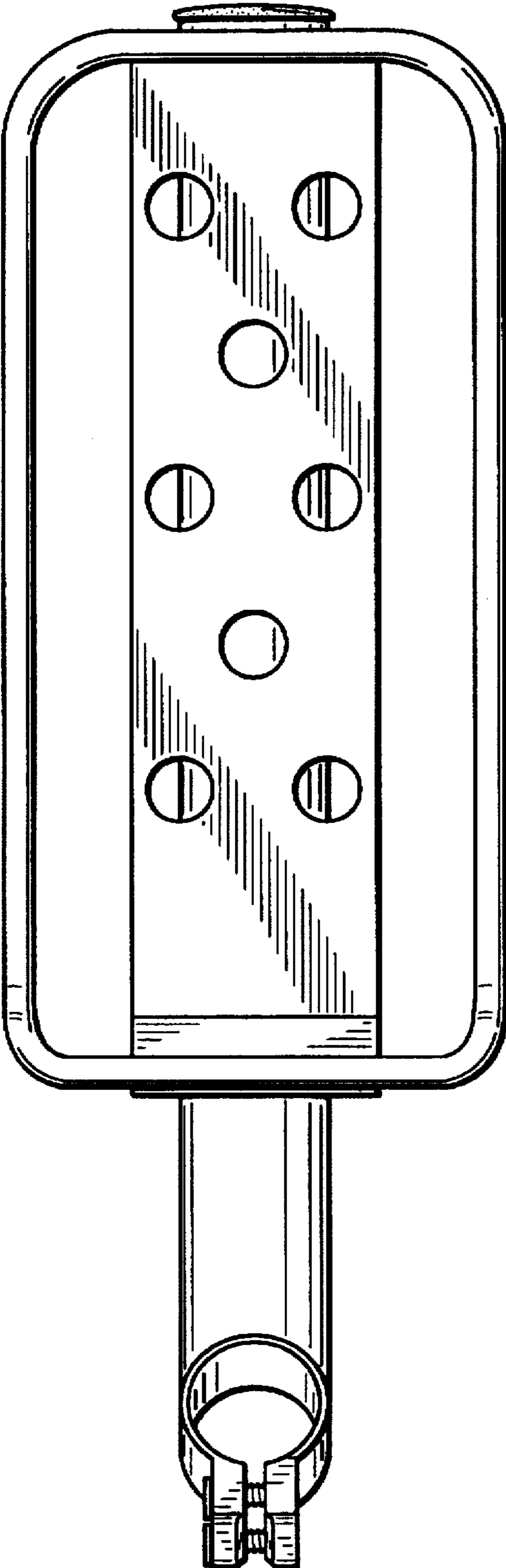


FIG. 2

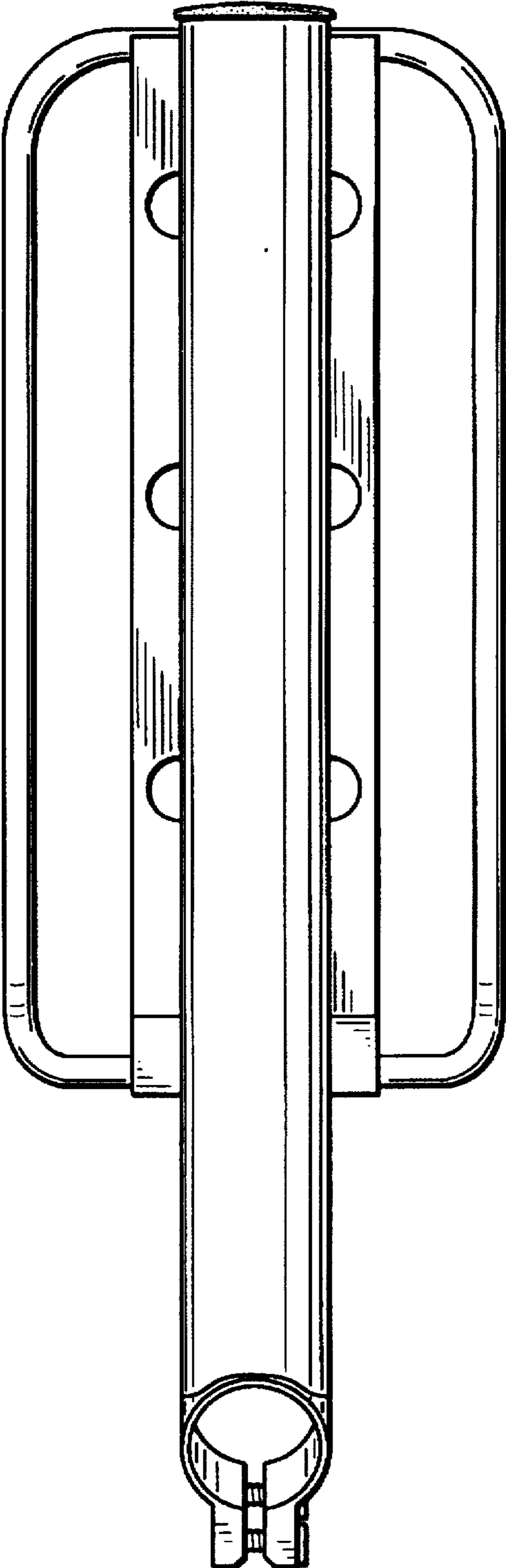


FIG. 3

