



US00D385249S

United States Patent [19]

Roach et al.

[11] Patent Number: **Des. 385,249**

[45] Date of Patent: ****Oct. 21, 1997**

[54] **AWNING FOR WATER VEHICLE**

4,926,782 5/1990 Lacy 114/361

[76] Inventors: **Jon D. Roach**, 2000 E. Raymore #541, Bullhead City, Ariz. 86442; **Manuel Ruiz**, P.O. Box 8729, Fort Mohave, Ariz. 86427

Primary Examiner—Louis S. Zarfes
Assistant Examiner—Catherine R. Oliver
Attorney, Agent, or Firm—Hovey, Williams, Timmons & Collins

[**] Term: **14 Years**

[57] CLAIM

[21] Appl. No.: **54,160**

The ornamental design for a awning for water vehicle, as shown and described.

[22] Filed: **May 3, 1996**

DESCRIPTION

[51] LOC (6) Cl. **12-16**

[52] U.S. Cl. **D12/401**

[58] Field of Search D12/401, 400, D12/300, 301, 317, 318; D25/56, 57; 296/116; 114/361

FIG. 1 is a perspective view of the awning for a water vehicle showing my new design;

FIG. 2 is a side elevational view, the opposite side being a mirror image thereof;

FIG. 3 is a front elevational view thereof;

FIG. 4 is a top plan view thereof;

FIG. 5 is a bottom plan view thereof; and,

FIG. 6 is a rear elevational view thereof.

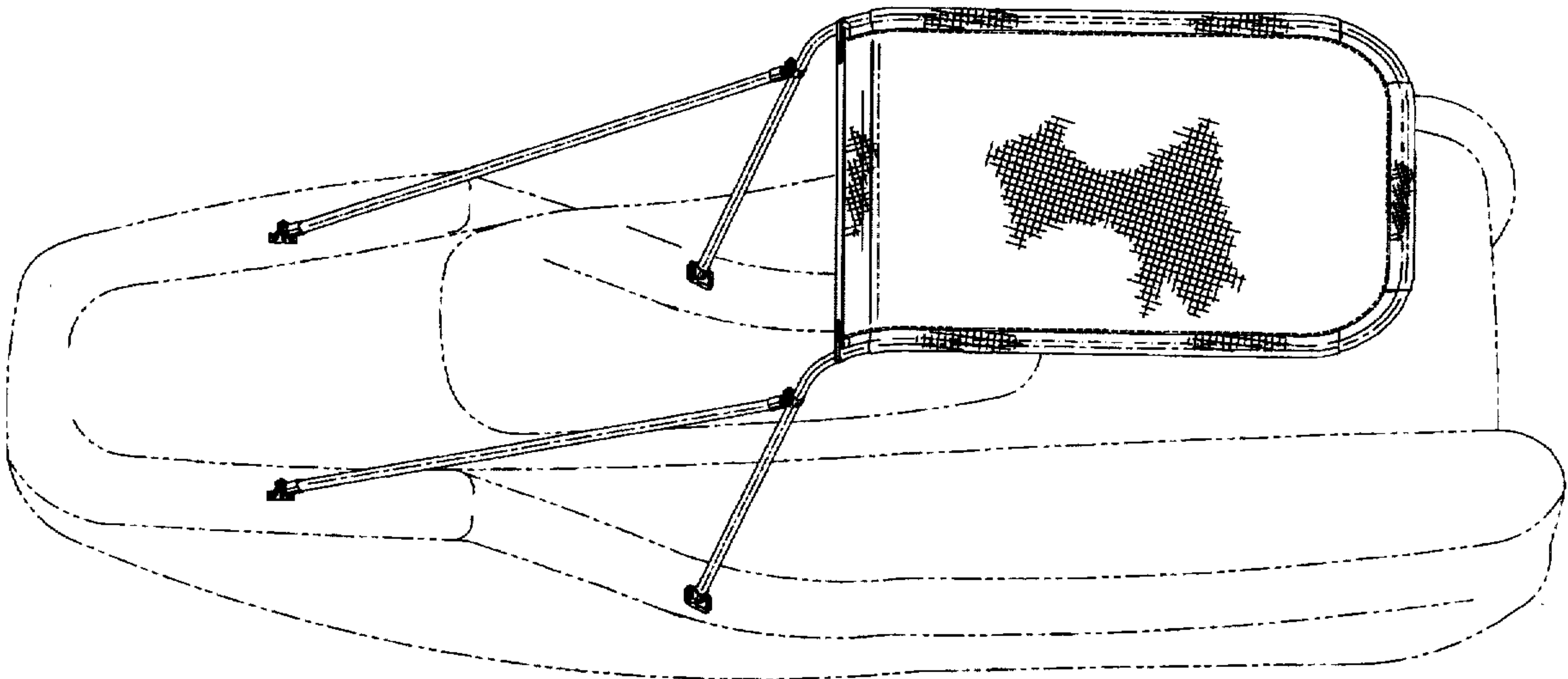
The broken line showing of environment in FIG. 1 is for illustrative purposes only and forms no part of the claimed design.

[56] References Cited

U.S. PATENT DOCUMENTS

D. 189,657	1/1961	Rorie	D12/403
2,513,764	7/1950	Vonder Ahe	114/361
2,531,836	11/1950	Barr	114/361
3,001,212	9/1961	Towne	D12/318 X
4,683,900	8/1987	Carmichael	114/361 X

1 Claim, 5 Drawing Sheets



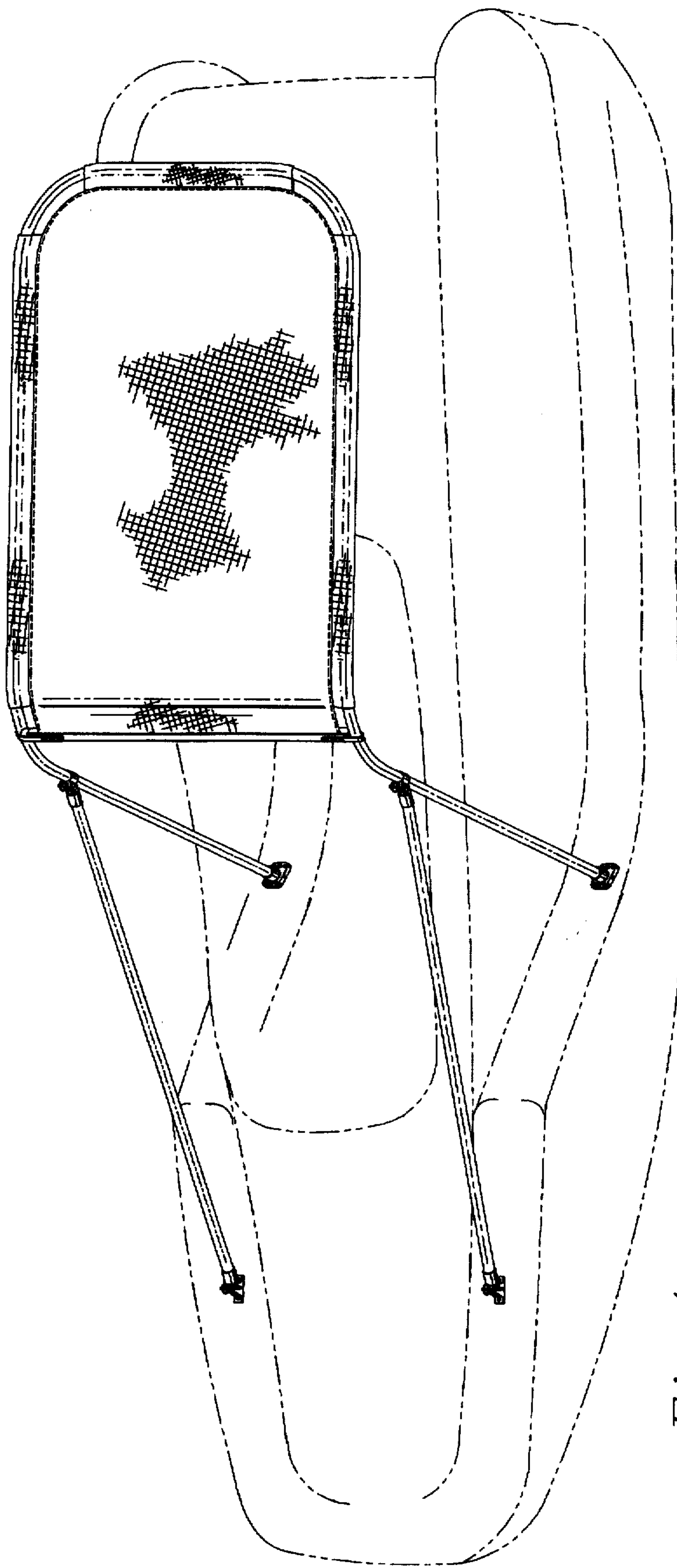
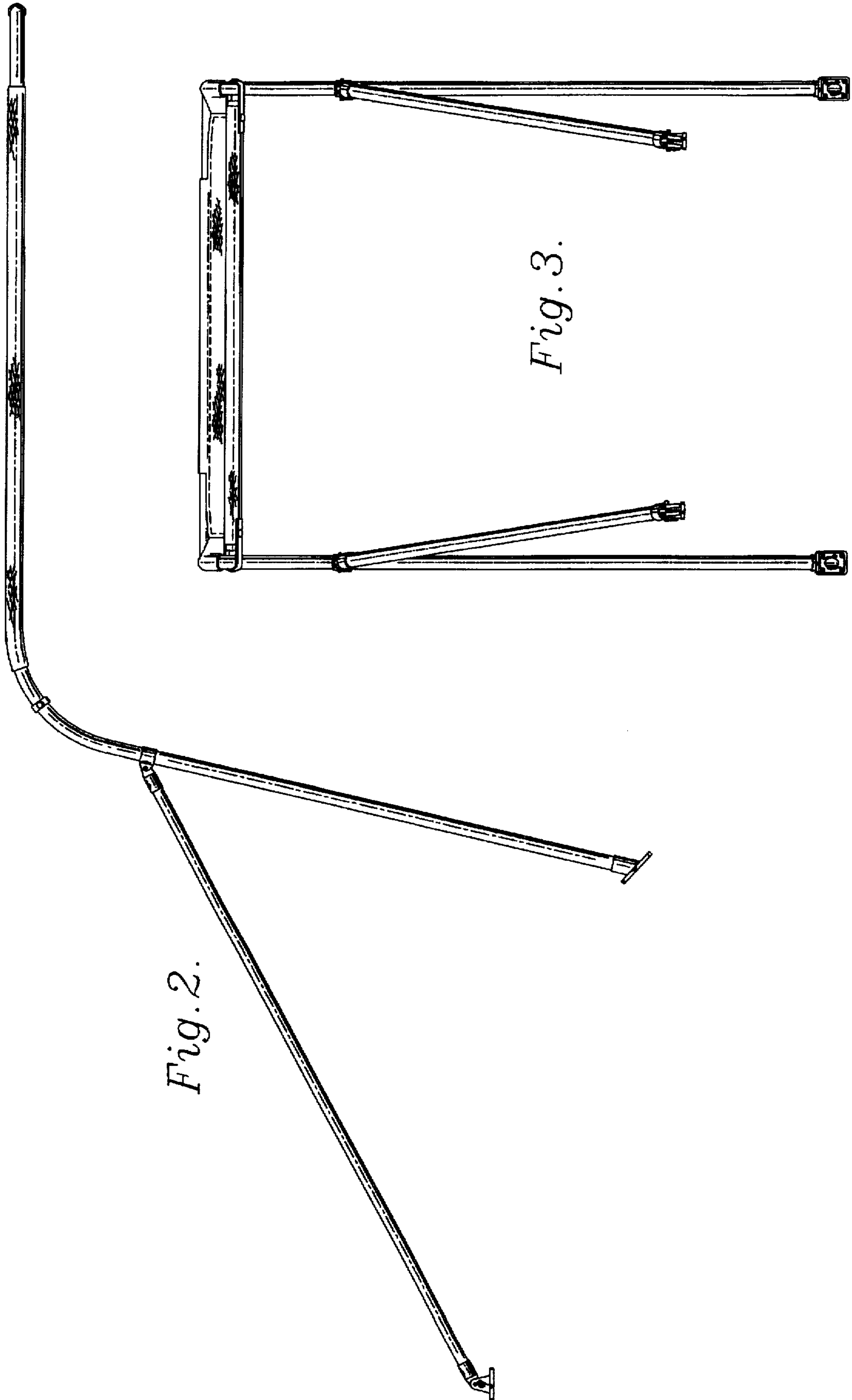


Fig. 1.



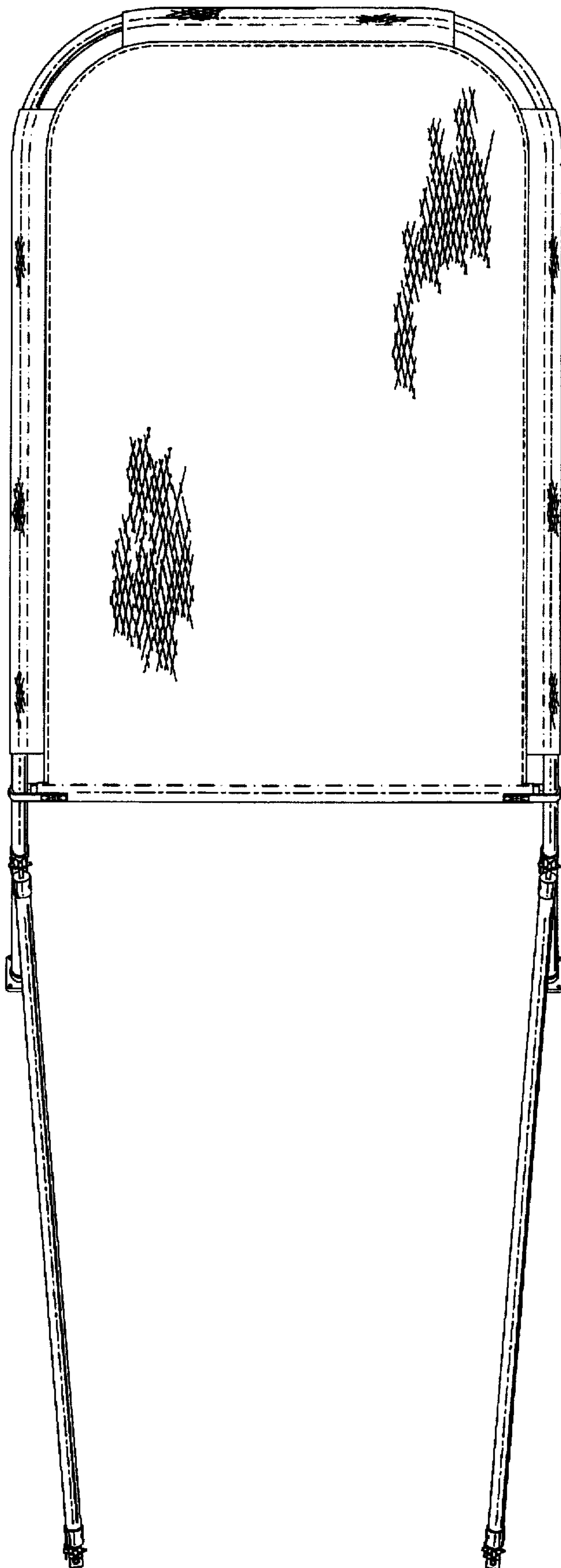


Fig. 4.

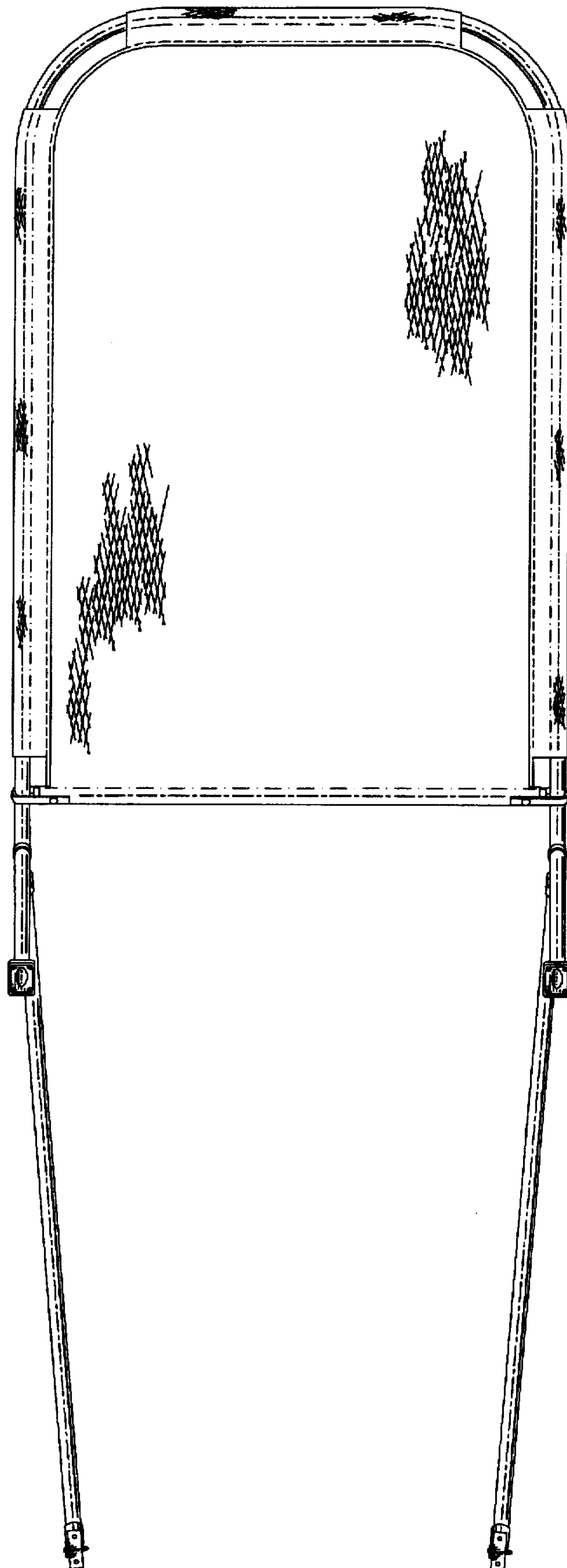


Fig. 5.

Fig. 6.

