



US00D385245S

# United States Patent [19]

Gallitzendoerfer et al.

[11] Patent Number: **Des. 385,245**

[45] Date of Patent: **\*\*Oct. 21, 1997**

[54] **FRONT END OF A MOTOR VEHICLE**

[75] Inventors: **Josef Gallitzendoerfer; Harald Leschke**, both of Sindelfingen; **Christopher K. Rhoades**, Herrenberg-Haslach, all of Germany

[73] Assignee: **Mercedes-Benz AG**, Stuttgart, Germany

[\*\*] Term: **14 Years**

[21] Appl. No.: **47,946**

[22] Filed: **Dec. 15, 1995**

[51] **LOC (6) CL** ..... **12-16**

[52] **U.S. Cl.** ..... **D12/196; D12/164**

[58] **Field of Search** ..... **D12/92, 164, 196; 296/185**

[56] **References Cited**

**U.S. PATENT DOCUMENTS**

- D. 354,778 1/1995 Sacco et al. .... D12/92
- D. 368,448 4/1996 Sacco et al. .... D12/92

*Primary Examiner*—Melody N. Brown  
*Attorney, Agent, or Firm*—Evenson, McKeown, Edwards & Lenahan, P.L.L.C.

[57] **CLAIM**

The ornamental design for a front end of a motor vehicle, as shown and described.

**DESCRIPTION**

FIG. 1 is a front view of a front end of a motor vehicle according to our novel design;

FIG. 2 is a left-front perspective view of a front end of a motor vehicle according to our novel design;

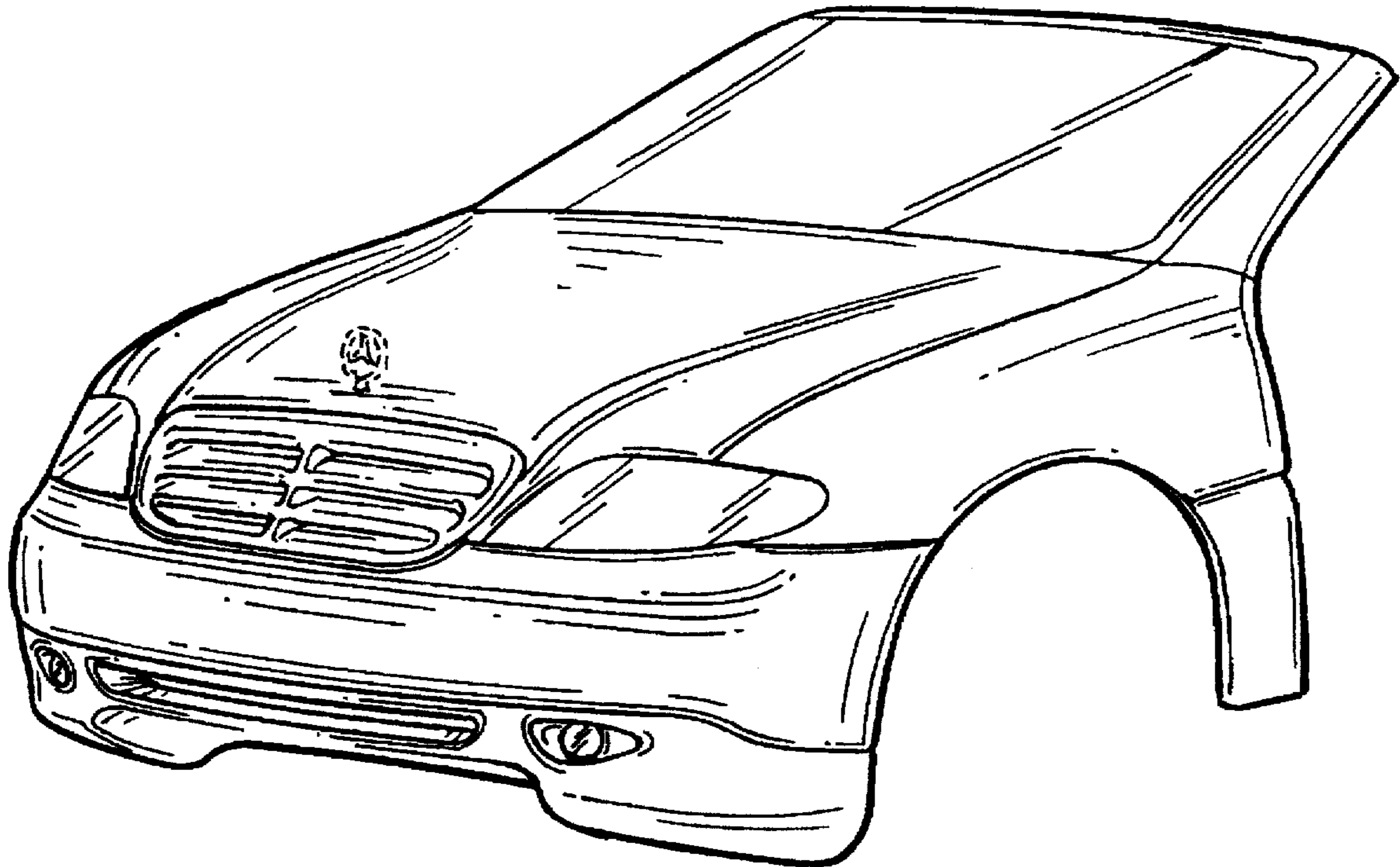
FIG. 3 is a left side view of a front end of a motor vehicle according to our novel design;

FIG. 4 is a right side view of a front end of a motor vehicle according to our novel design; and,

FIG. 5 is a top view of a front end of a motor vehicle according to our novel design.

The motor vehicle hood ornament shown in broken lines is for illustrative purposes only and forms no part of the claimed design.

**1 Claim, 2 Drawing Sheets**



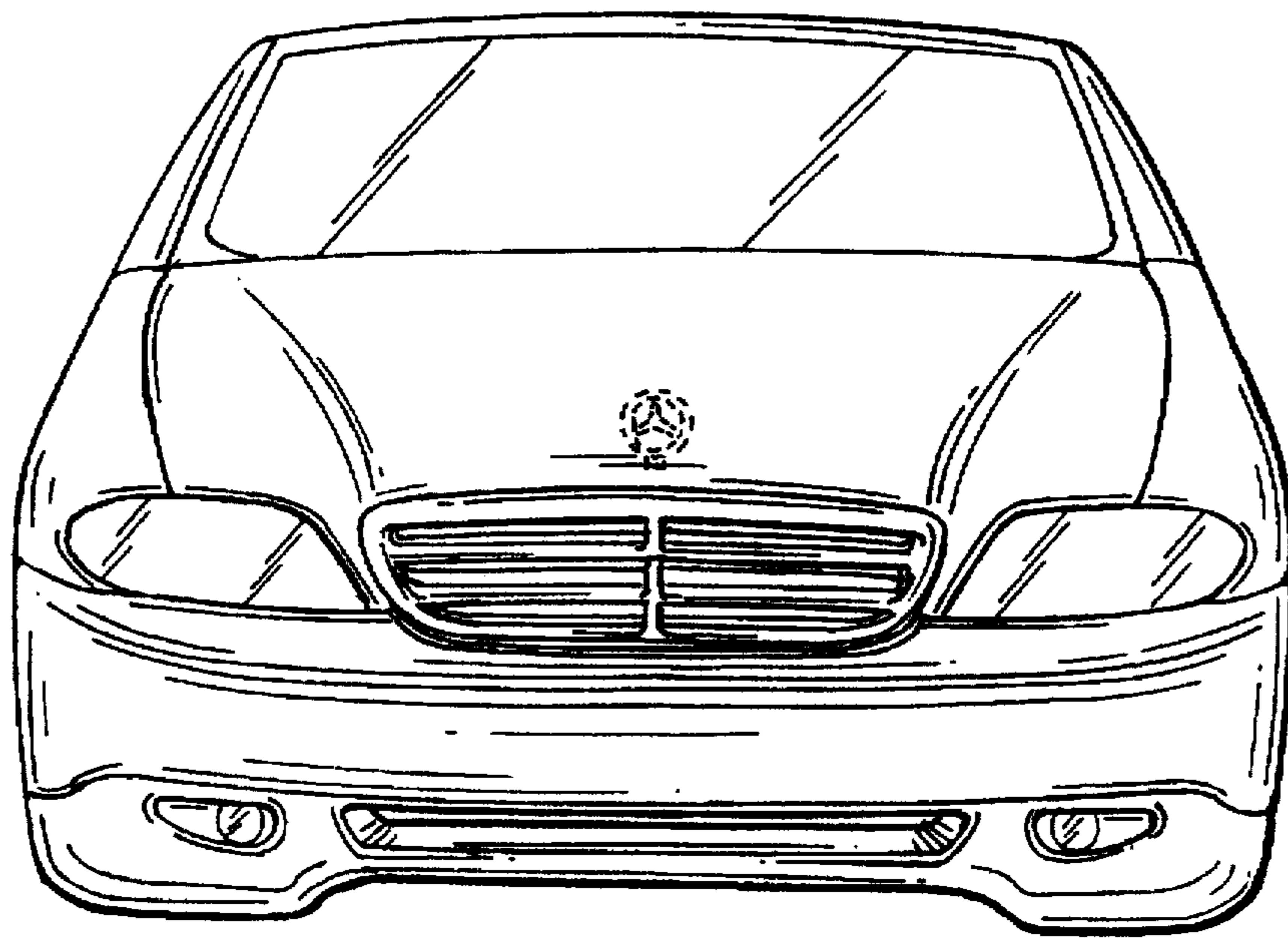


FIG. 1

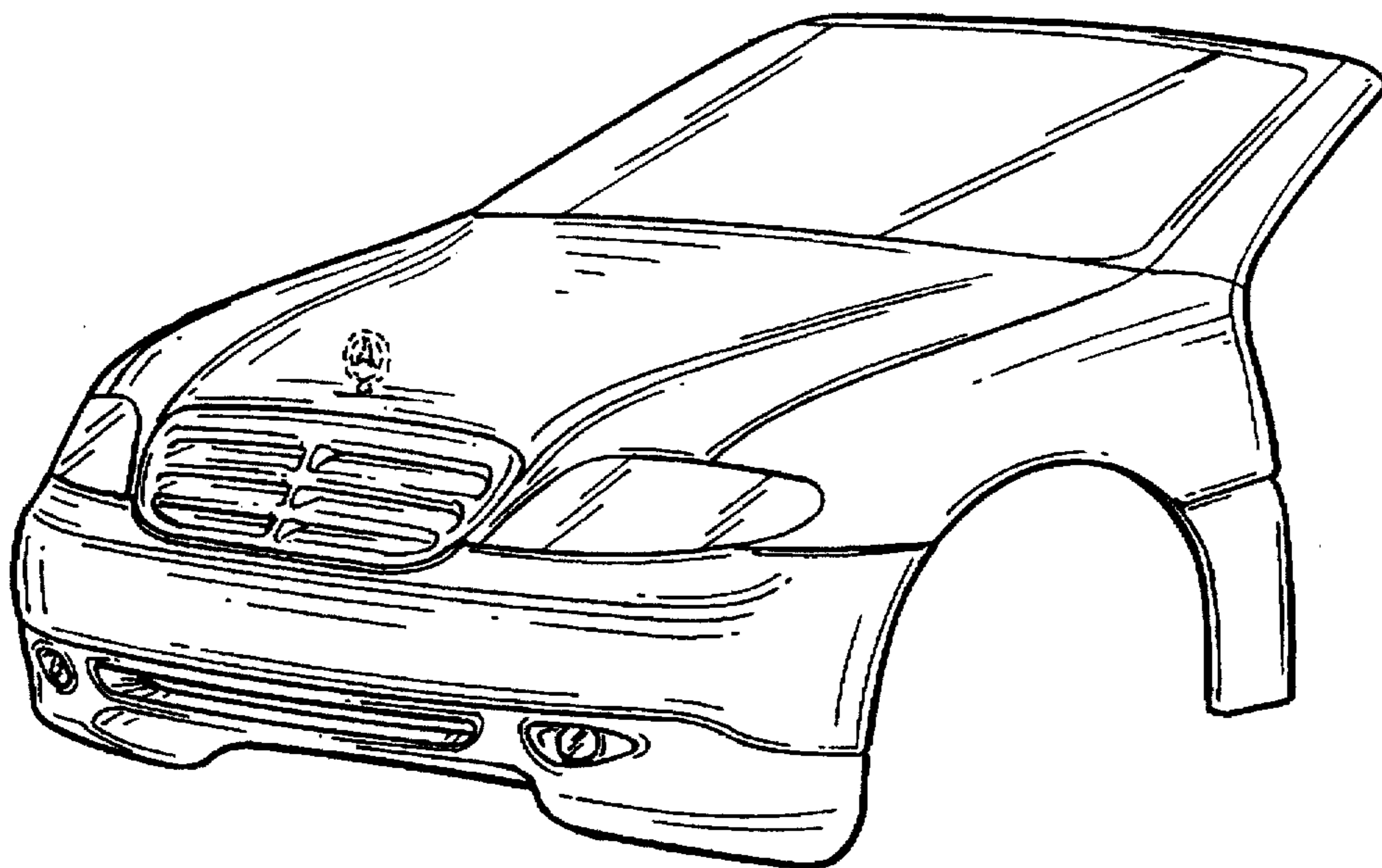


FIG. 2

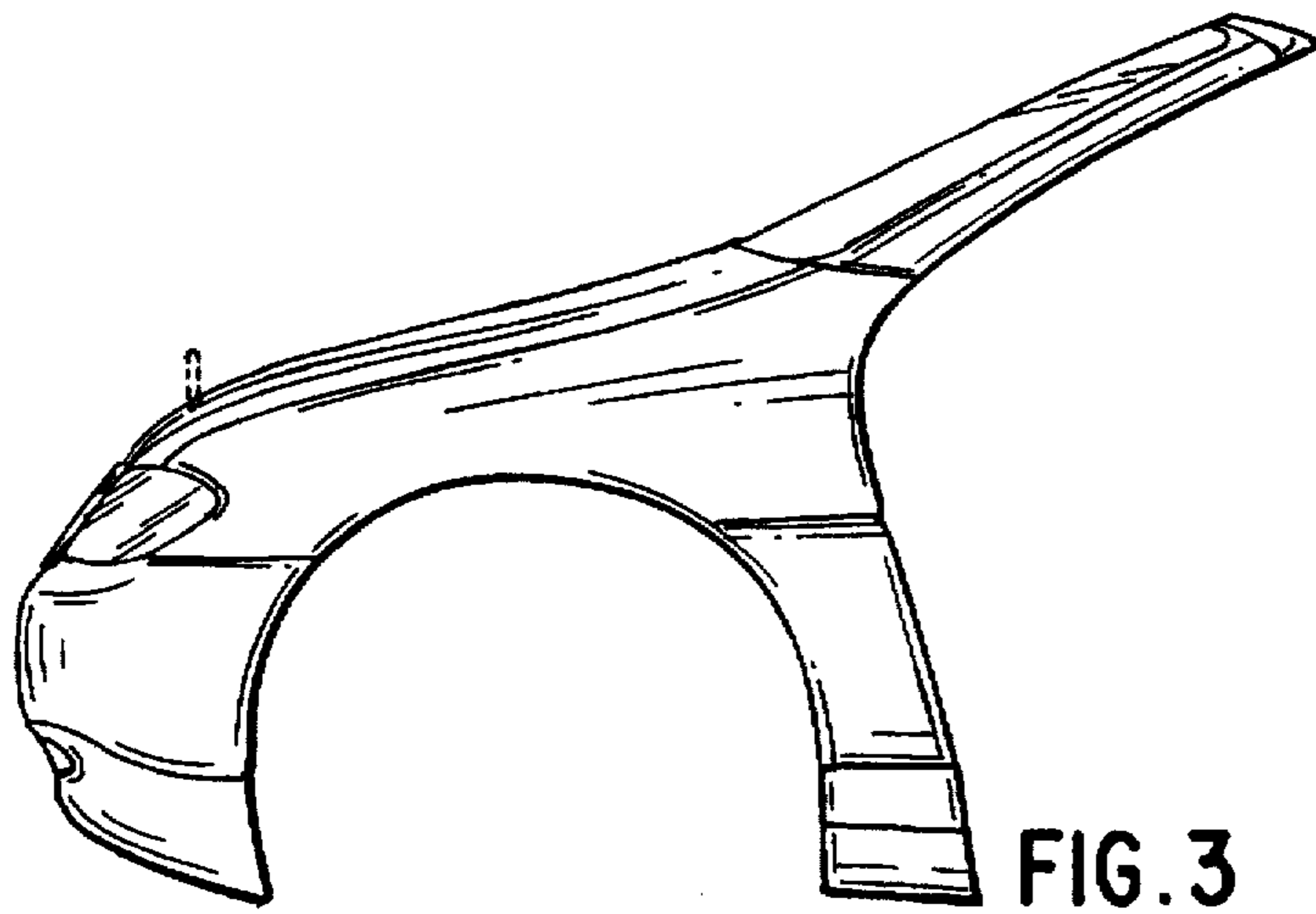


FIG. 3

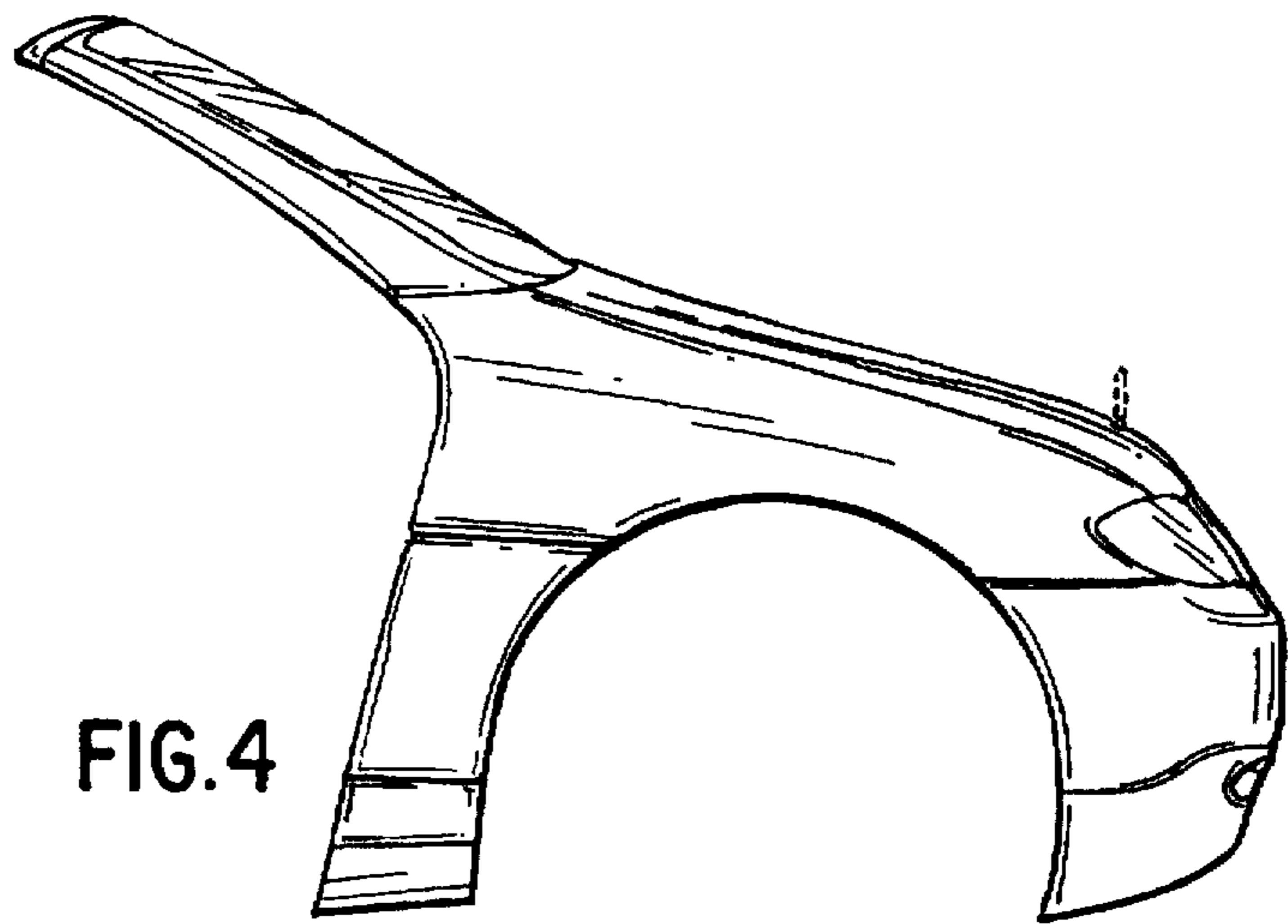


FIG. 4

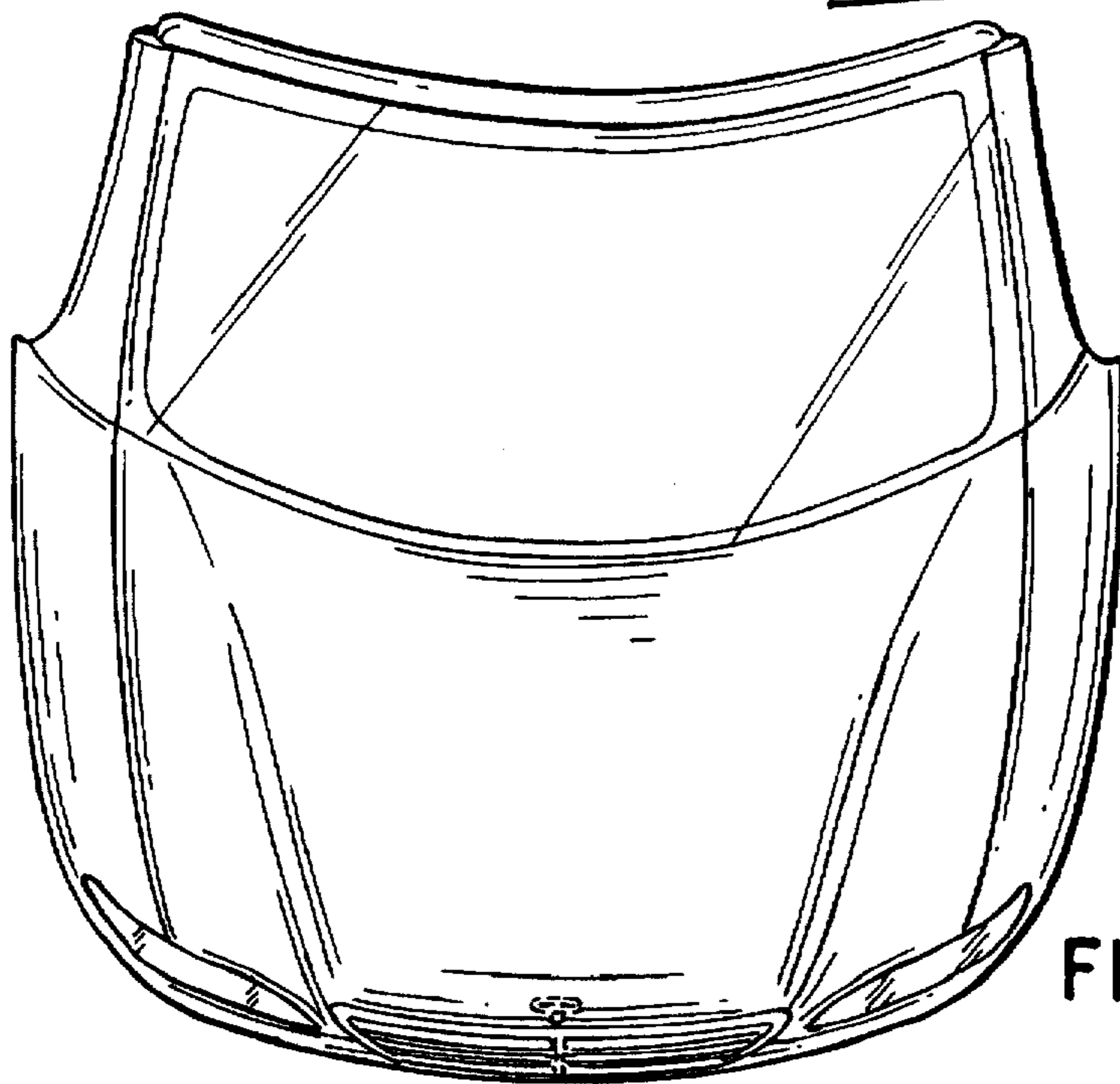


FIG. 5