



US00D385243S

# United States Patent [19]

Lang

[11] Patent Number: **Des. 385,243**

[45] Date of Patent: **\*\*Oct. 21, 1997**

[54] **REAR-VIEW MIRROR AND ANTENNA ASSEMBLY**

3,372,897	3/1968	Lee	.....	D12/187 X
3,476,464	11/1969	Clark	.....	359/850 X
4,077,597	3/1978	Greig	.....	D12/187 X
4,951,913	8/1990	Quesada	.....	359/844 X

[75] Inventor: **Heinrich Lang**, Seenheimer Strasse  
Lola, D-91465 Egesheim, Germany

*Primary Examiner*—Louis S. Zarfes  
*Assistant Examiner*—Frank Martinez  
*Attorney, Agent, or Firm*—Dority & Manning

[73] Assignees: **Heinrich Lang**, Ergersheim, Germany;  
**Sabine Lang**, Chapin, S.C.

[\*\*] Term: **14 Years**

[57] **CLAIM**

[21] Appl. No.: **52,055**

The ornamental design for rear-view mirror and antenna assembly, as shown and described.

[22] Filed: **Mar. 22, 1996**

**DESCRIPTION**

[51] LOC (6) Cl. .... **12-16**

[52] U.S. Cl. .... **D12/188**

[58] Field of Search ..... D12/187, 188;  
359/844, 850, 863, 889, 864, 865, 866

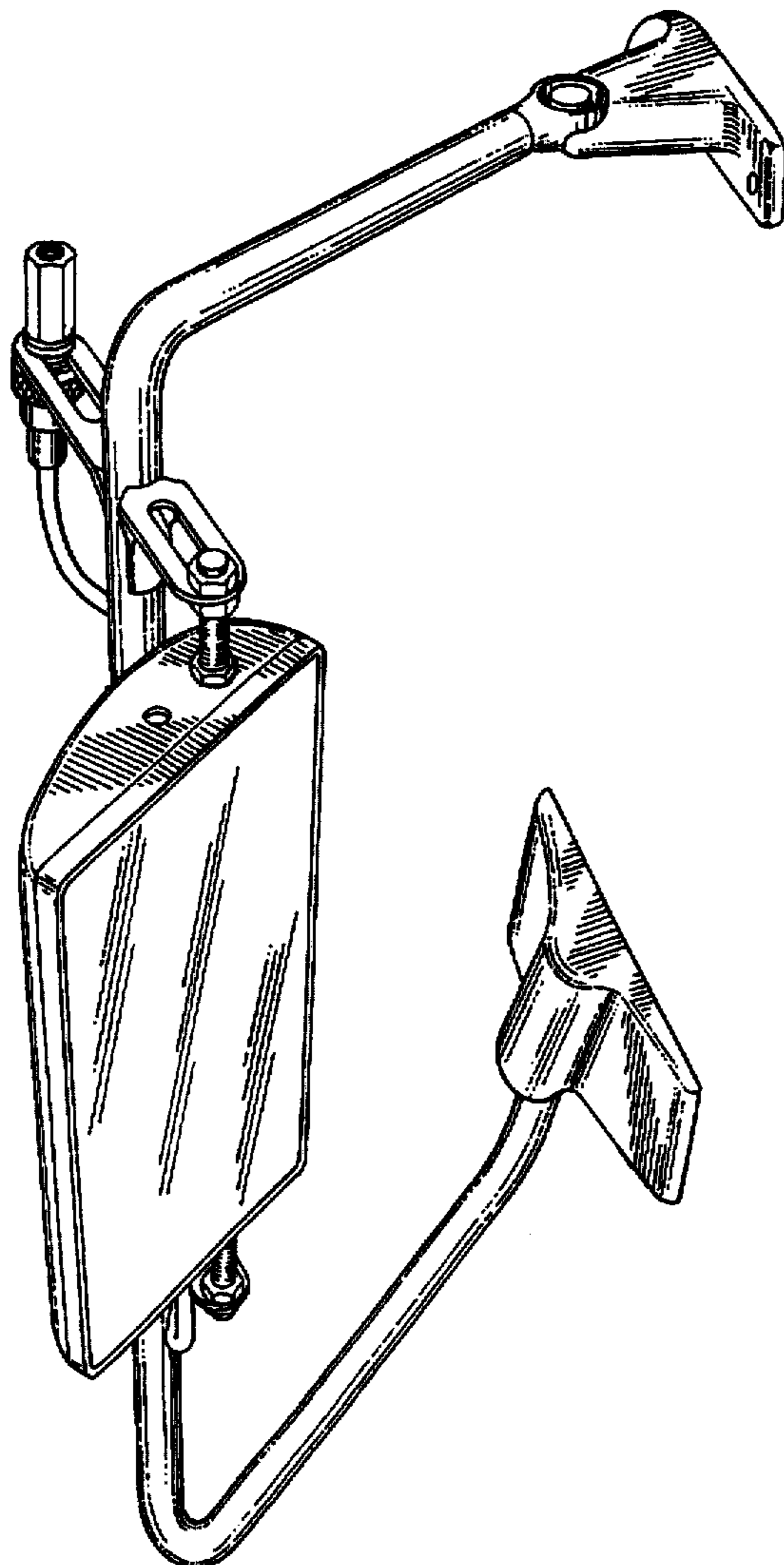
FIG. 1 is a top front perspective view thereof;  
FIG. 2 is a front elevational view thereof;  
FIG. 3 is a rear elevational view thereof;  
FIG. 4 is a top view thereof;  
FIG. 5 is a bottom view thereof;  
FIG. 6 is a right side elevational view thereof; and,  
FIG. 7 is a left side elevational view thereof.

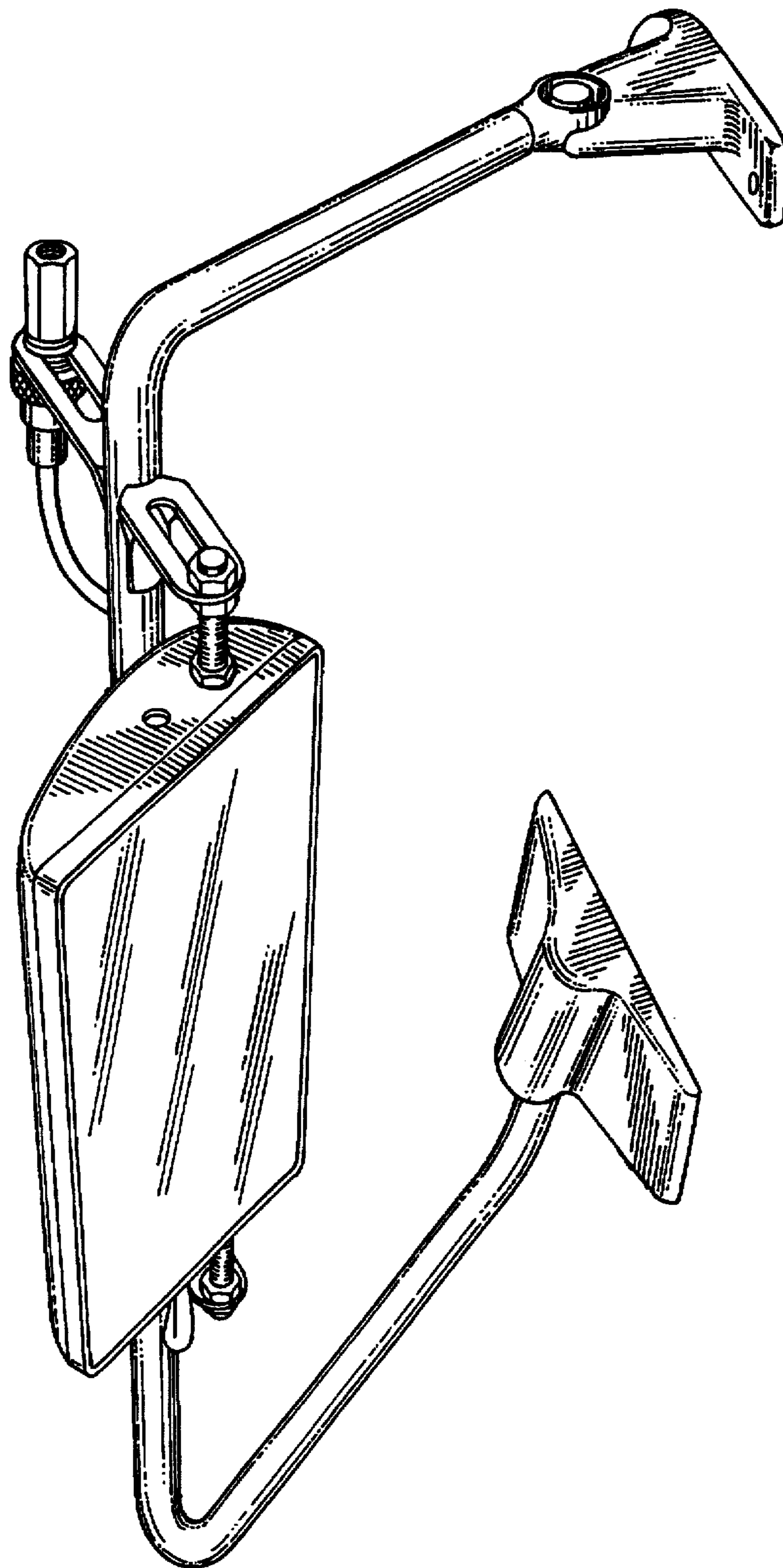
[56] **References Cited**

**U.S. PATENT DOCUMENTS**

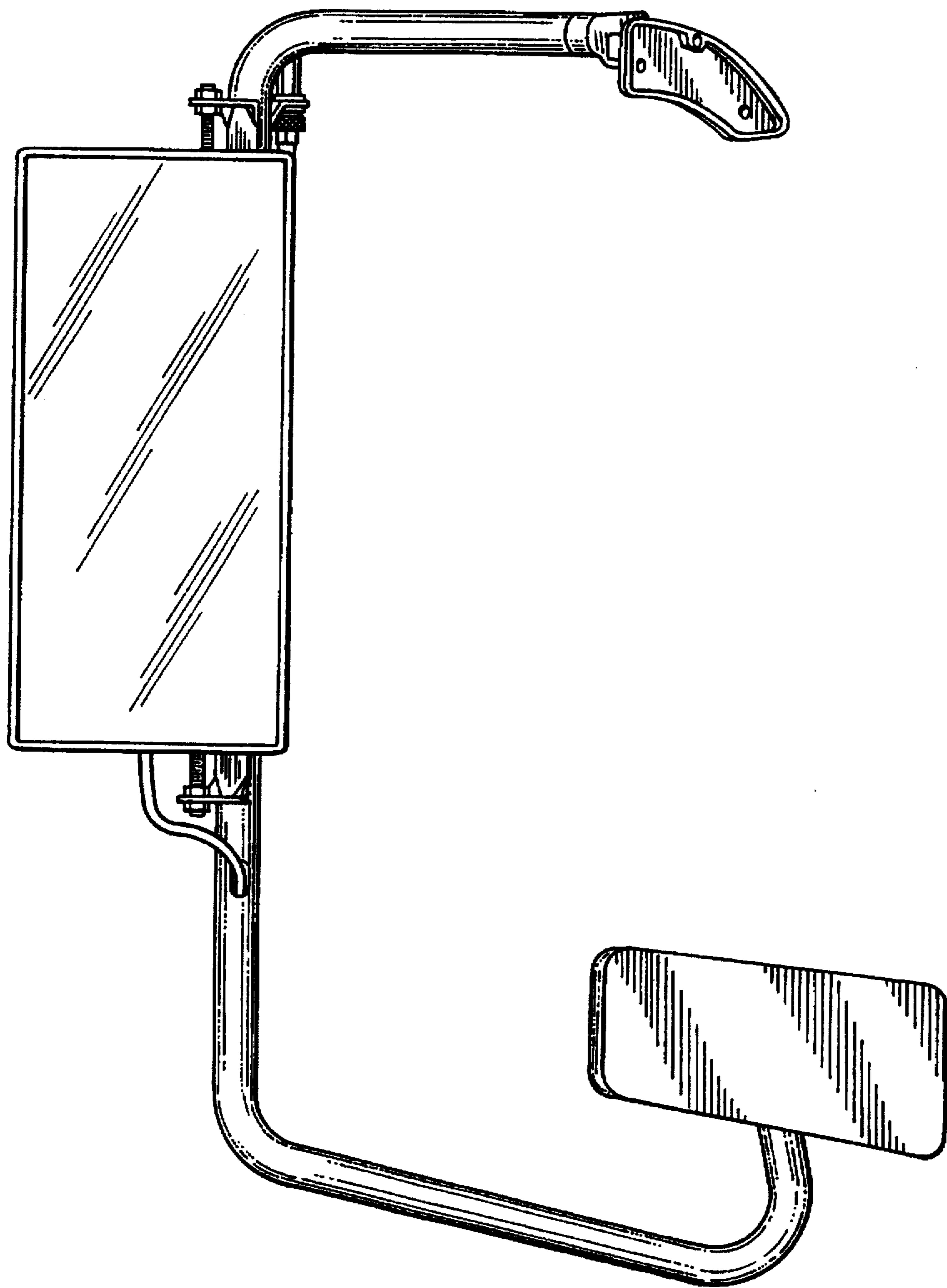
D. 353,795 12/1994 Ayala ..... D12/188

**1 Claim, 6 Drawing Sheets**

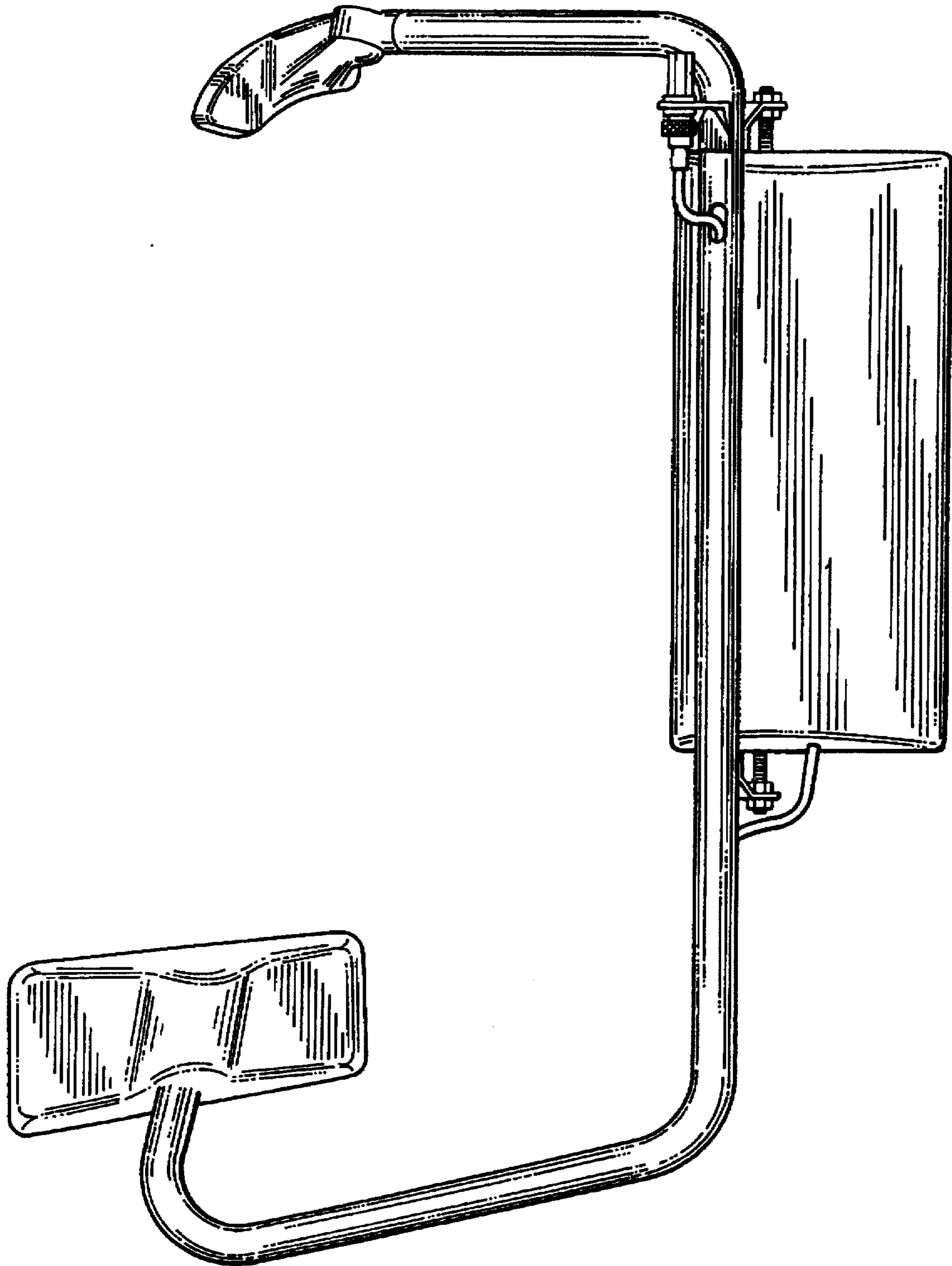




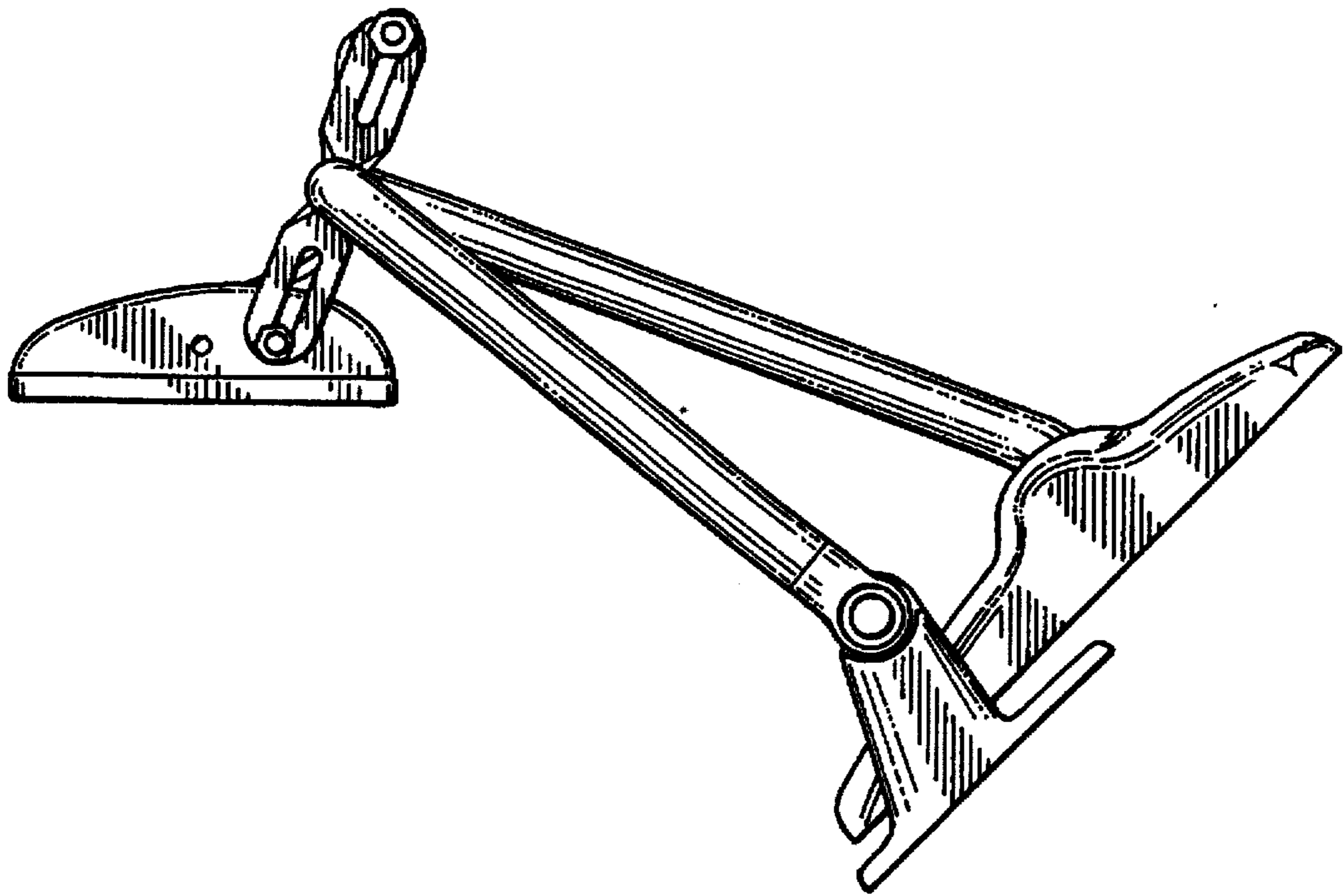
*Fig. 1*



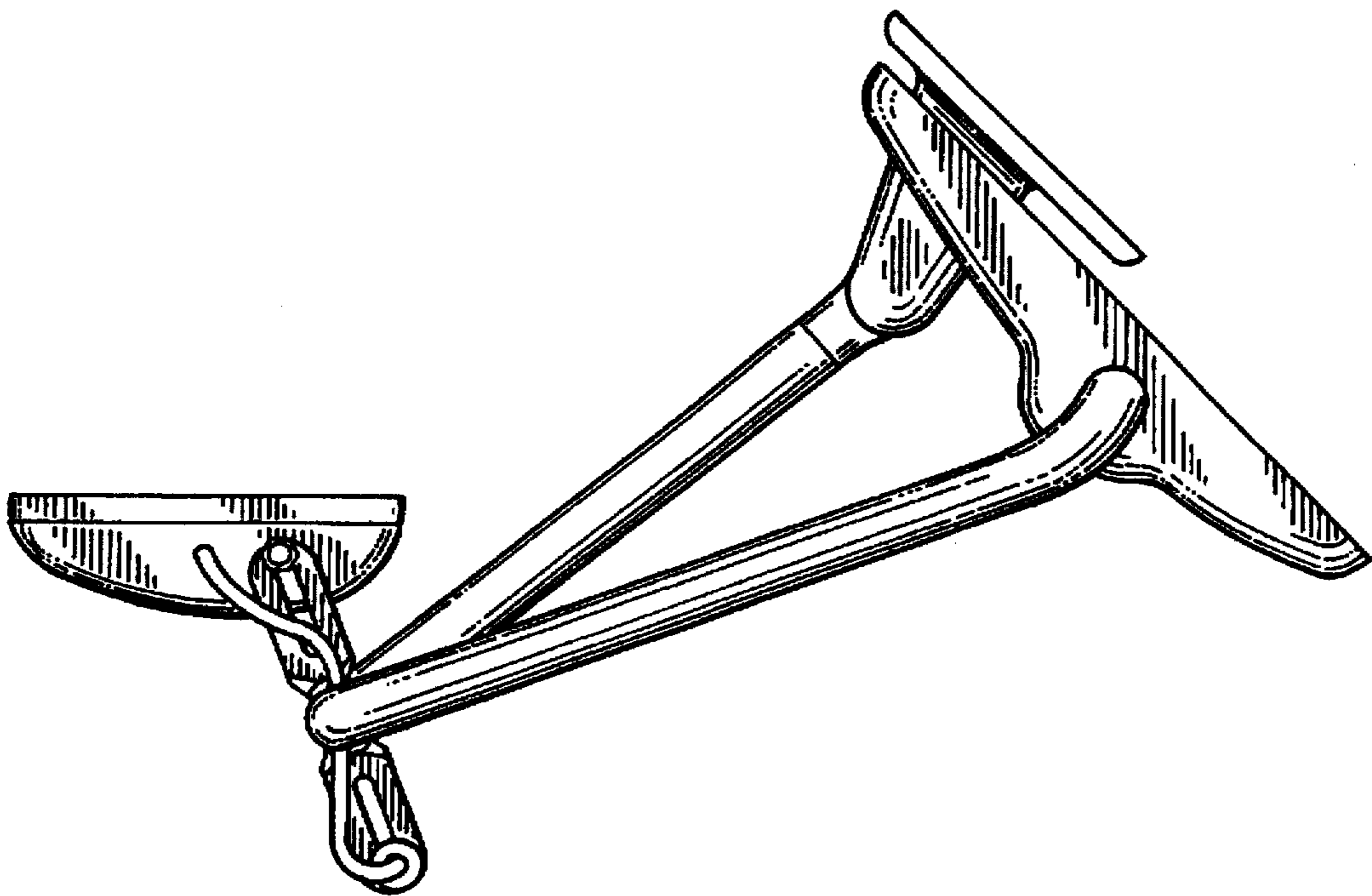
*Fig. 2*



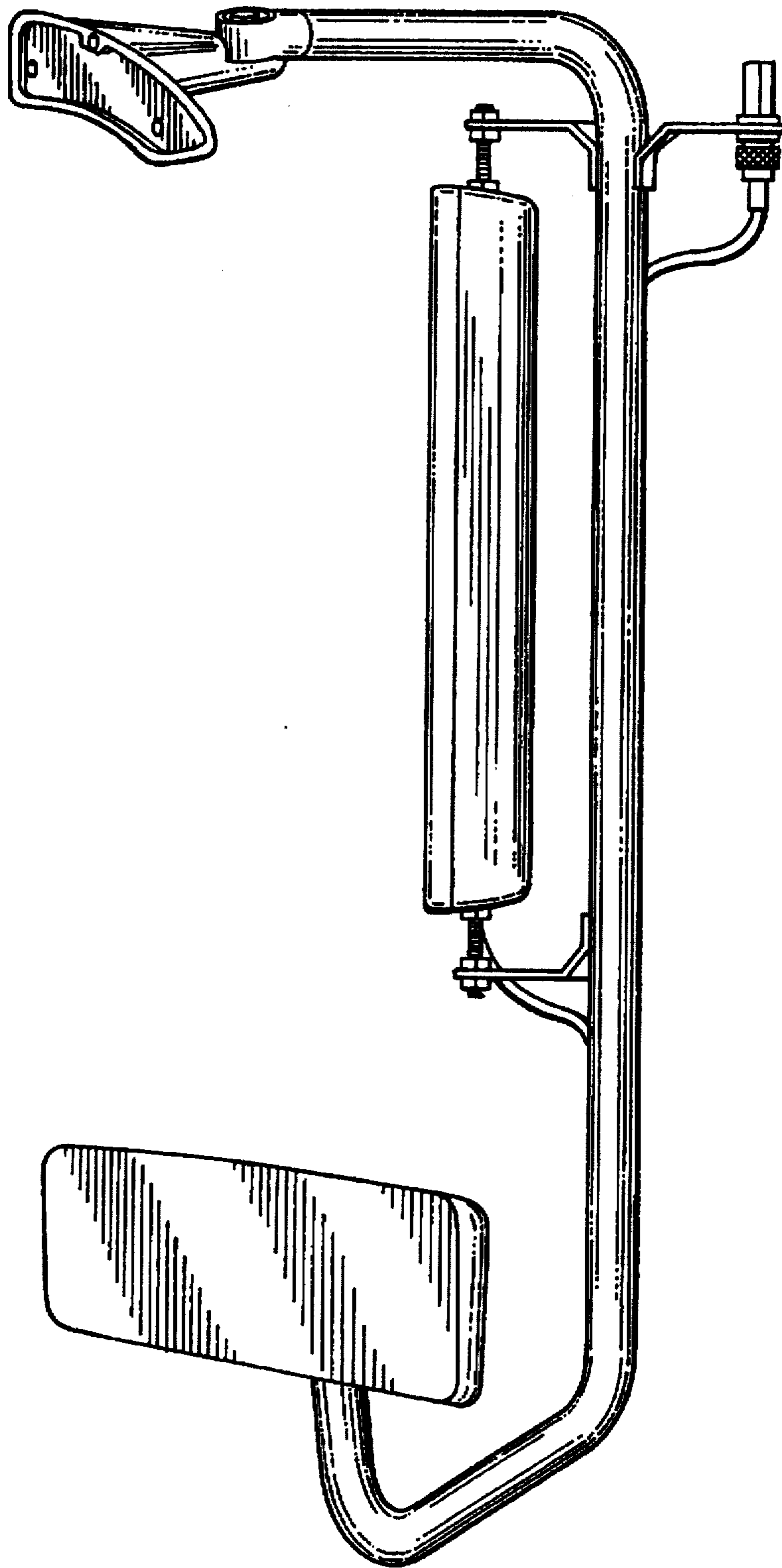
*Fig. 3*



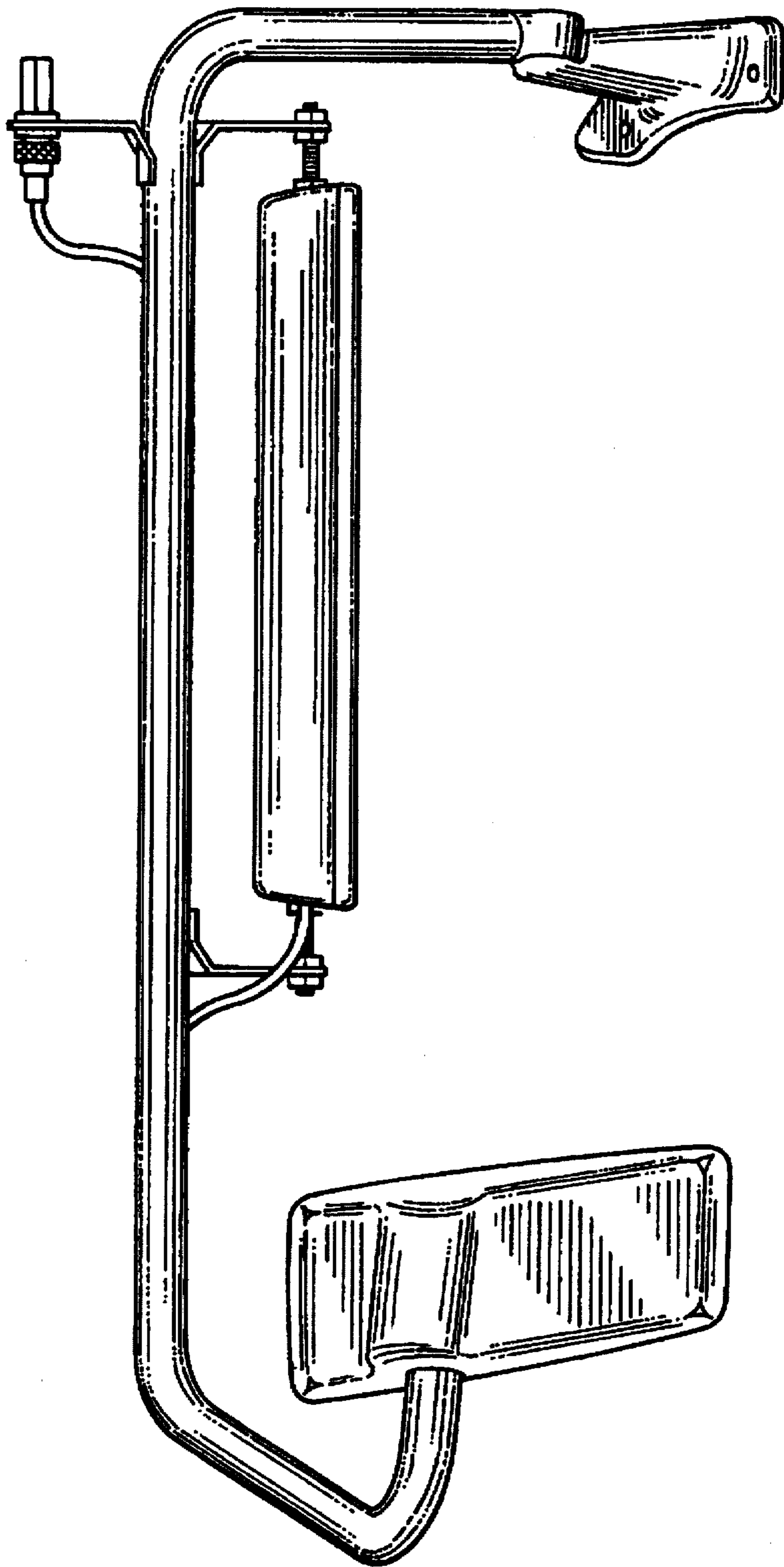
*Fig. 4*



*Fig. 5*



*Fig. 6*



*Fig. 7*