



US00D385241S

United States Patent [19]

Attinello et al.

[11] Patent Number: **Des. 385,241**

[45] Date of Patent: ****Oct. 21, 1997**

[54] **TIRE TREAD**

[75] Inventors: **John Steven Attinello, Hartville; John Kotanides, Jr., Canton, both of Ohio**

[73] Assignee: **The Goodyear Tire & Rubber Company, Akron, Ohio**

[**] Term: **14 Years**

[21] Appl. No.: **58,579**

[22] Filed: **Aug. 19, 1996**

[51] LOC (6) Cl. **12-15**

[52] U.S. Cl. **D12/147**

[58] Field of Search **D12/136, 138, D12/140-151; 152/209 A, 209 D, 209 R**

[56] **References Cited**

U.S. PATENT DOCUMENTS

D. 266,919	11/1982	Bennett	D12/146
D. 275,472	9/1984	Hisatomi et al.	D12/138
D. 280,090	8/1985	Graas	D12/146
D. 283,501	4/1986	Hitzky	D12/147
D. 286,274	10/1986	Davis et al.	D12/146
D. 292,081	9/1987	Kuroda	D12/146
D. 296,199	6/1988	Tansey et al.	D12/145
D. 299,330	1/1989	Wallet	D12/147
D. 299,711	2/1989	Wallet	D12/147
D. 310,803	9/1990	Hasegawa	D12/147
D. 312,230	11/1990	Wallet et al.	D12/147
D. 312,232	11/1990	Wallet et al.	D12/147
D. 323,311	1/1992	Yamashita	D12/148
D. 324,011	2/1992	Messer	D12/147
D. 329,218	9/1992	Ohtsu	D12/147
D. 334,360	3/1993	Graas et al.	D12/146
D. 341,345	11/1993	Killian	D12/146
D. 342,047	12/1993	Takahashi	D12/146
D. 362,212	9/1995	McKisson	D12/146
D. 362,213	9/1995	McKisson	D12/146

D. 362,214	9/1995	McKisson	D12/146
D. 365,067	12/1995	Kotanides, Jr. et al.	D12/147
4,986,324	1/1991	Suzuki et al.	152/209
5,269,357	12/1993	Killian	152/209
5,373,882	12/1994	Nakagawa	152/209

OTHER PUBLICATIONS

Barum OR34 tire, 1995 Tread Design Guide, p. 9 Jan. 1995.
Gillette Sprint Metric Tire, 1995 Tread Design Guide, p. 30 Jan. 1995.

Hankook 884 Wet Weather Radial Tire, Tire Review Magazine, p. 67 Jan. 1995.

Co-Pending Application, Docket #95186A, Andrew Arpad Kunos, et al., Filed Jan. 17, 1996 29/049,641.

Co-Pending Application, Docket #DN1996-014, David Ray Hubbell, Jr, et al., Filed Jan. 17, 1996 08/588,034.

Co-Pending Application, Docket #DN1996-001, David Ray Hubbell, Jr., Filed Jan. 17, 1996 29/049,102.

Primary Examiner—James Gandy

Assistant Examiner—Robert M. Spear

Attorney, Agent, or Firm—T. P. Lewandowski

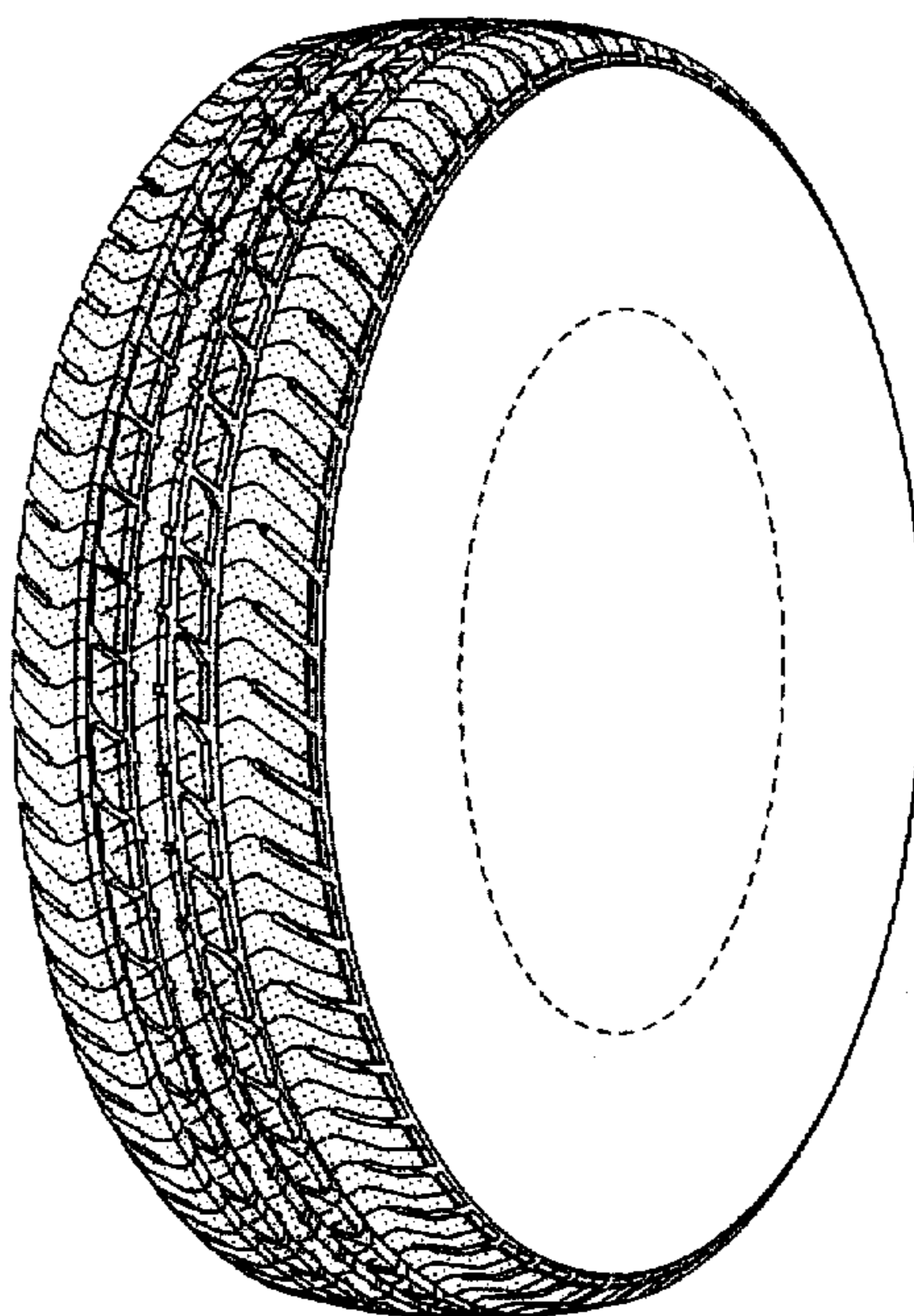
[57] **CLAIM**

The ornamental design for a tire tread, as shown and described.

DESCRIPTION

FIG. 1 is a perspective view of a tire tread showing our new design, it being understood that the pattern is repeated uniformly throughout the circumference of the tread; FIG. 2 is a front elevational view thereof; FIG. 3 is a side elevational view thereof, the opposite side elevational view being a mirror image thereof; and, FIG. 4 is an enlarged fragmentary front view thereof. The broken line showing of the tire sidewall in the drawings is for illustrative purposes only and forms no part of the claimed design.

1 Claim, 4 Drawing Sheets



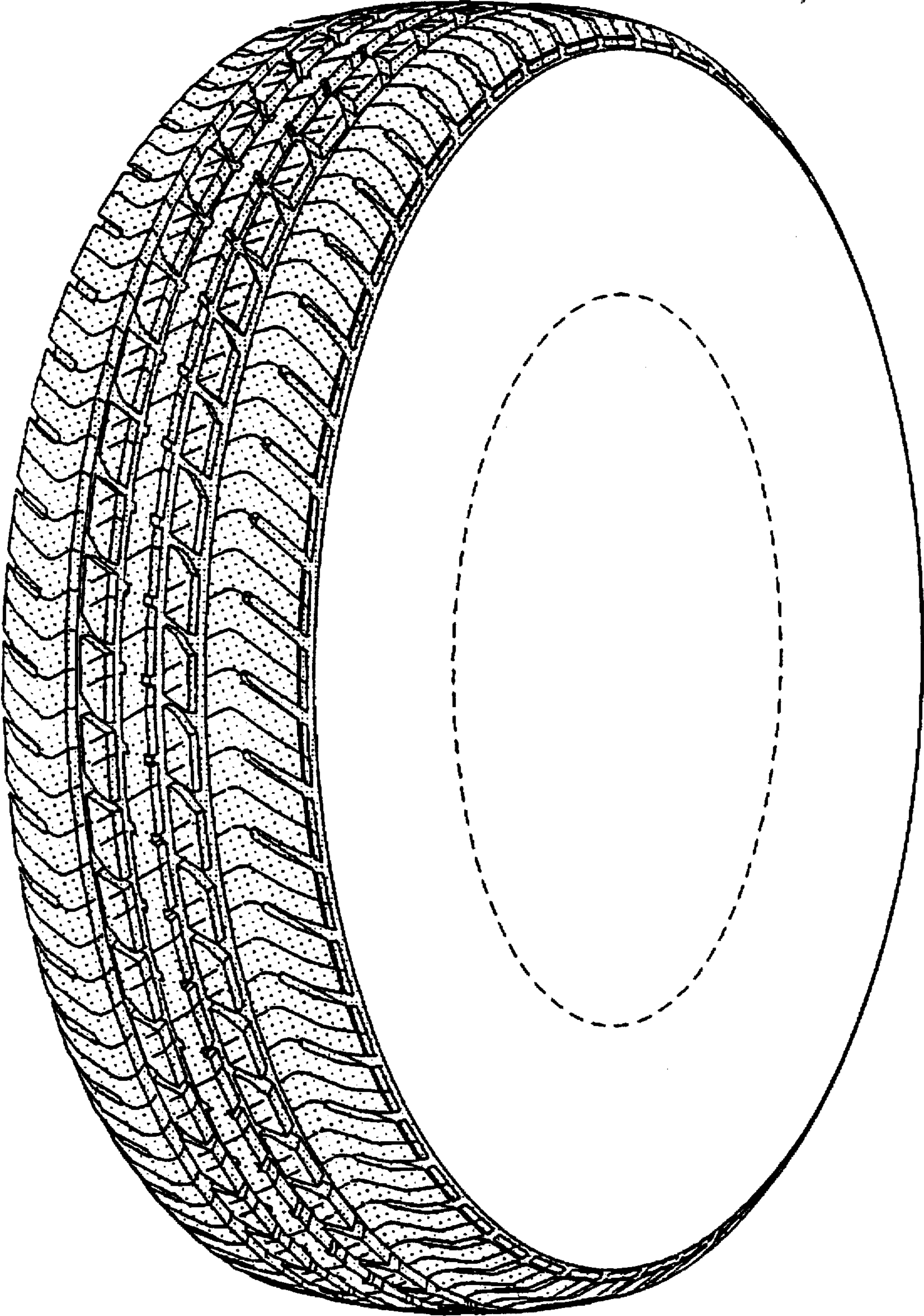


FIG. 1

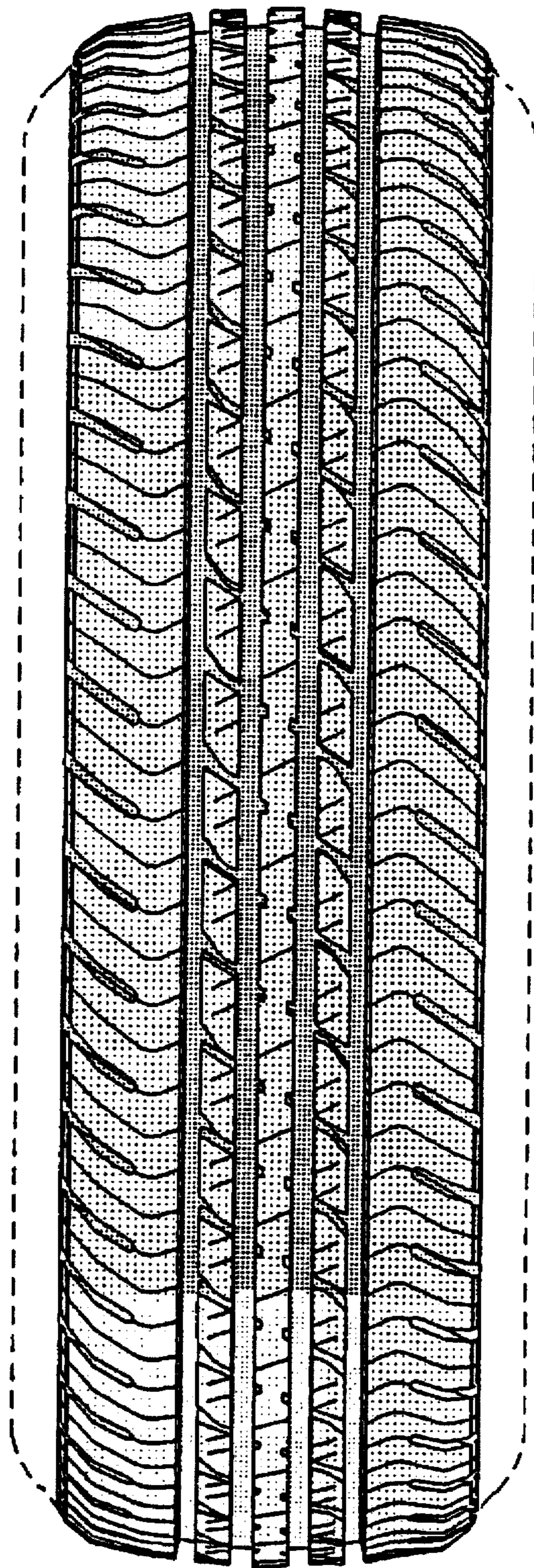


FIG. 2

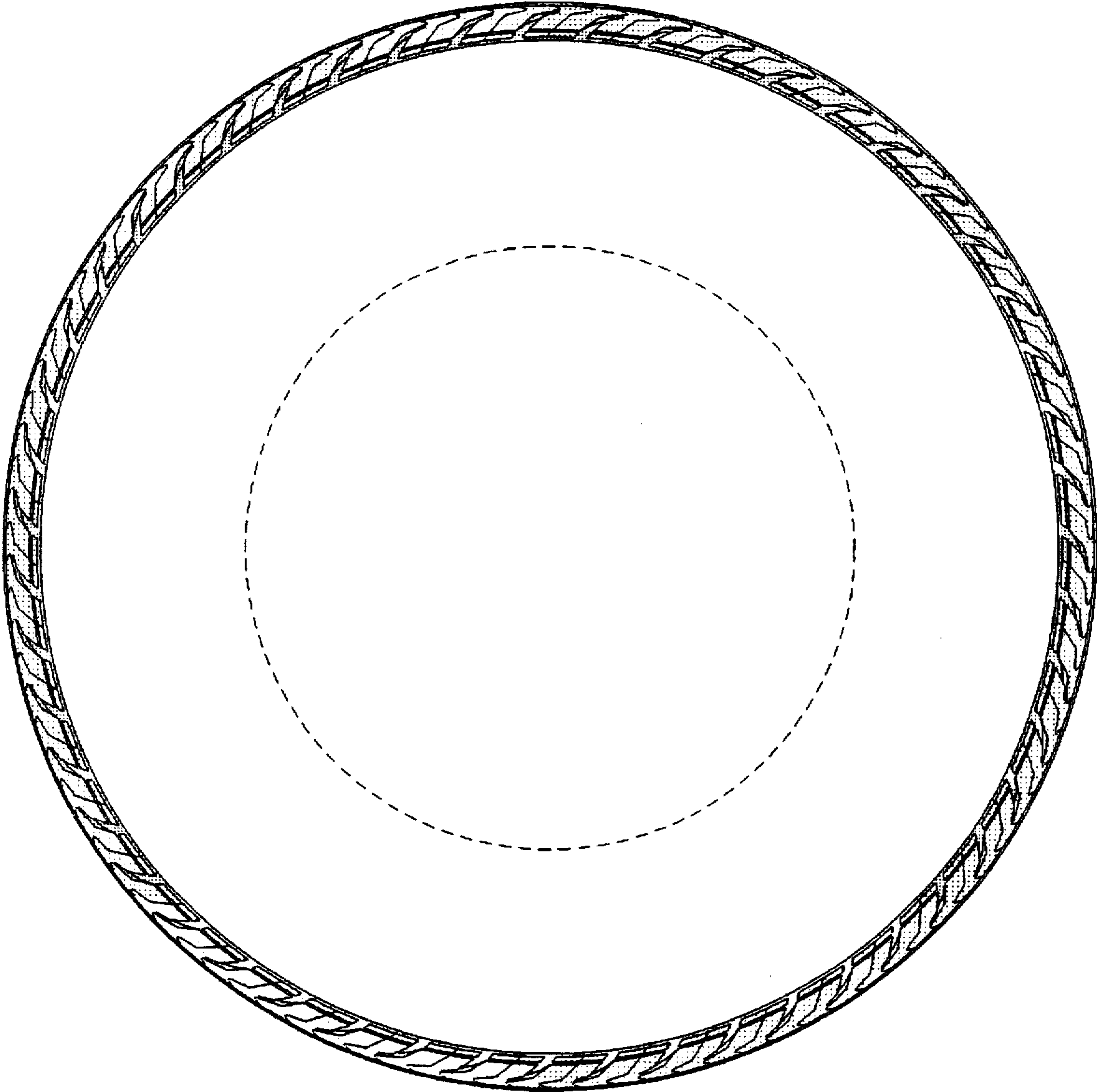


FIG. 3

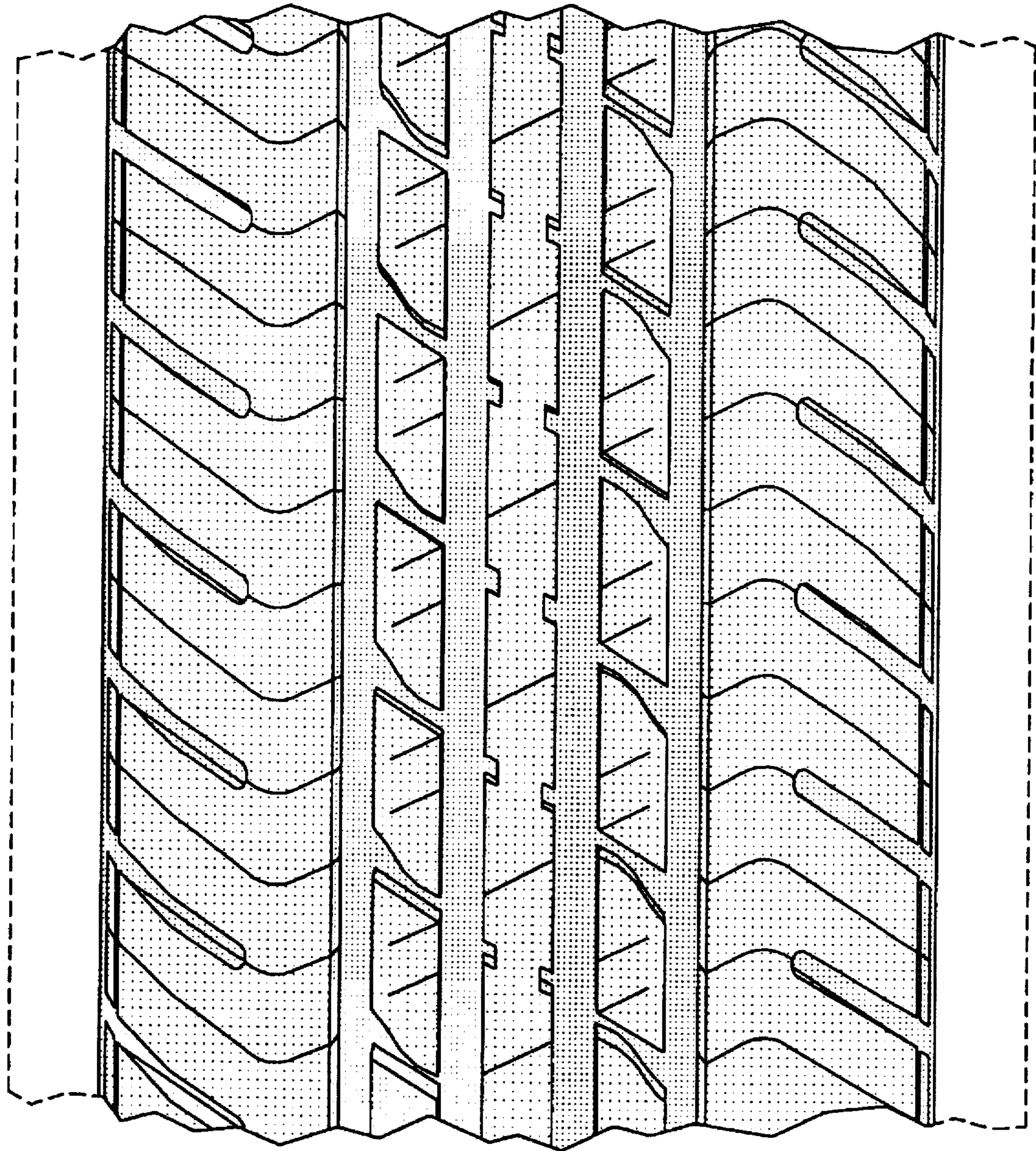


FIG. 4